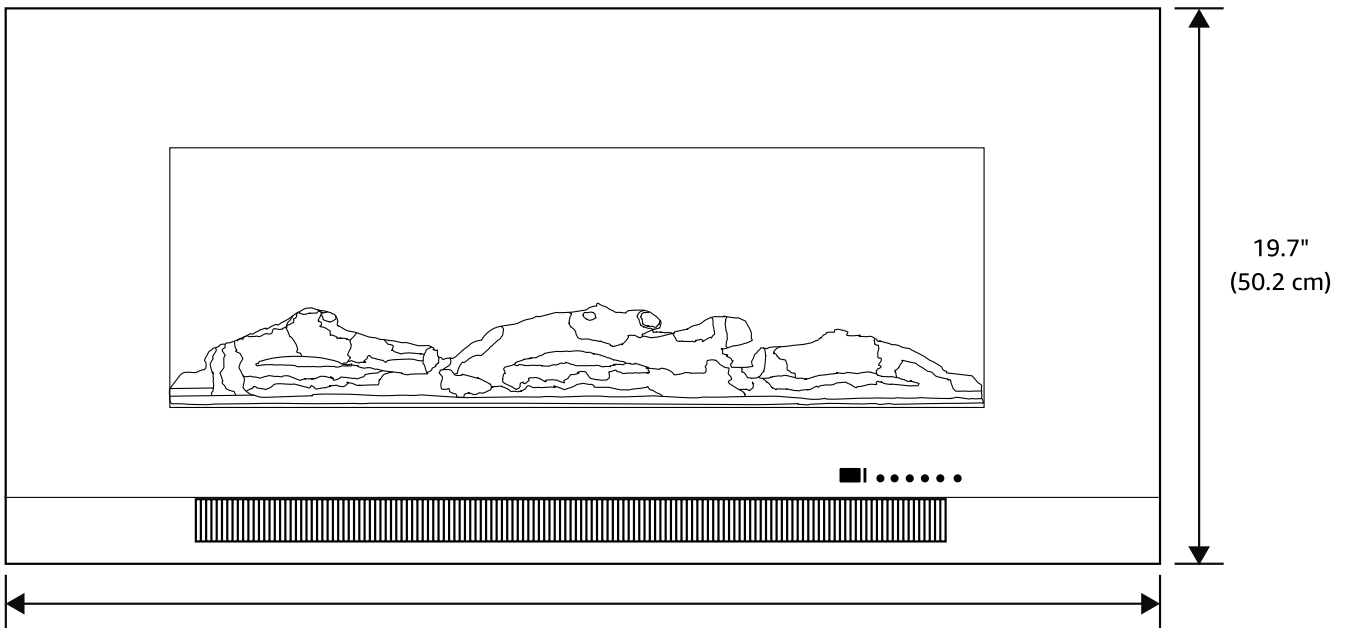
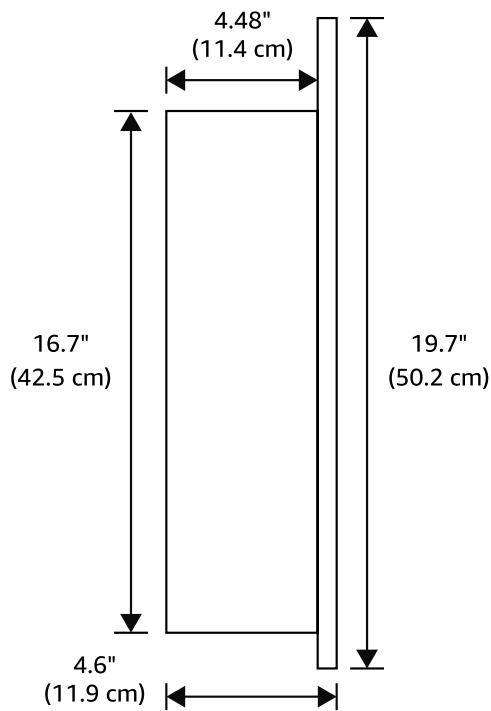


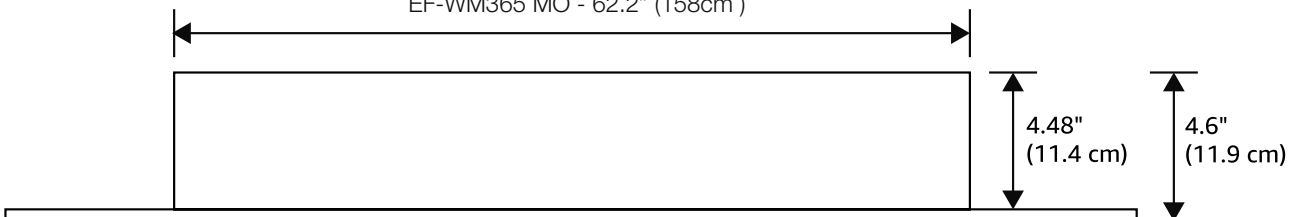
15. Product Dimensions



- EF-WM362 MO - 41.9" (106.6 cm)
- EF-WM363 MO - 50" (127 cm)
- EF-WM364 MO - 60" (152.4 cm)
- EF-WM365 MO - 72.5" (183cm)

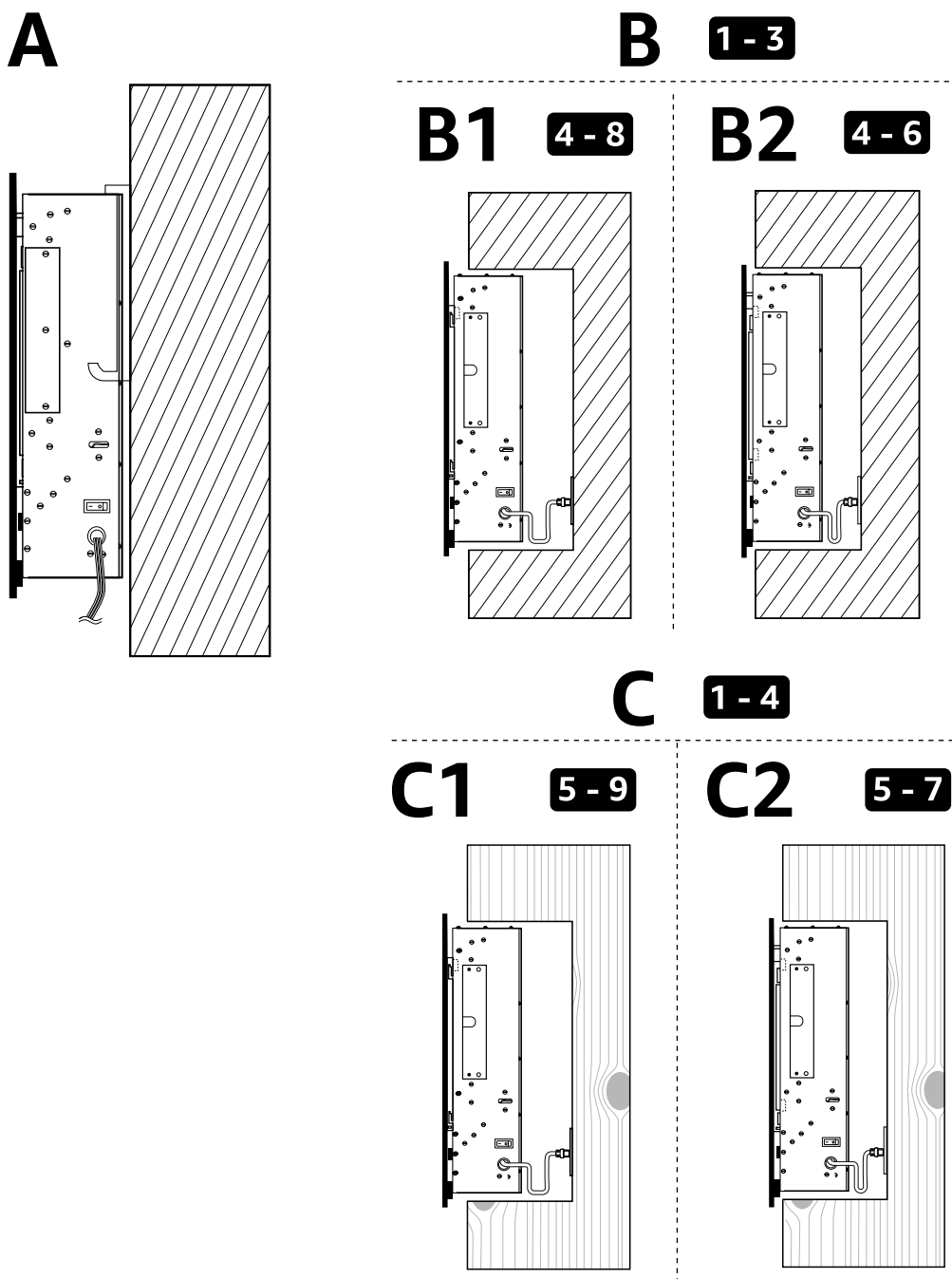


- EF-WM362 MO - 32" (81.5cm)
- EF-WM363 MO - 40.2" (102 cm)
- EF-WM364 MO - 50.2" (127.6 cm)
- EF-WM365 MO - 62.2" (158cm)



16. Installation

16.1 Installation type



A Surface Mount

B1 Partial Recess - Drywall

B2 Fully Recessed - Drywall

C1 Partial Recess - Wood stud

C2 Fully Recessed - Wood stud



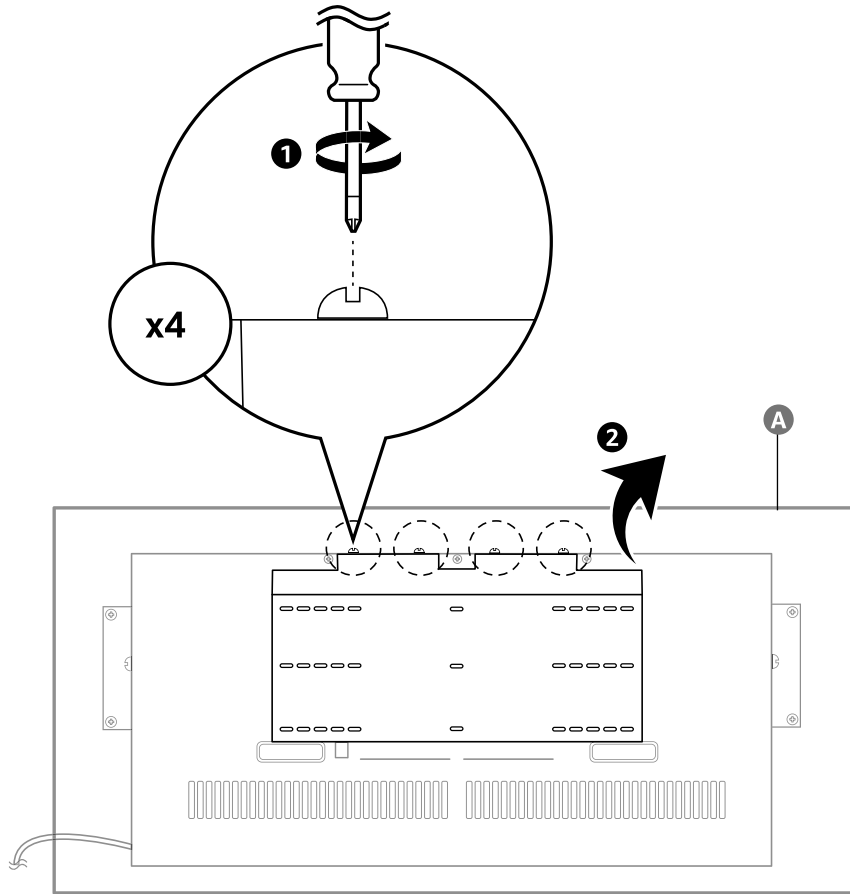
EN Assembly

A

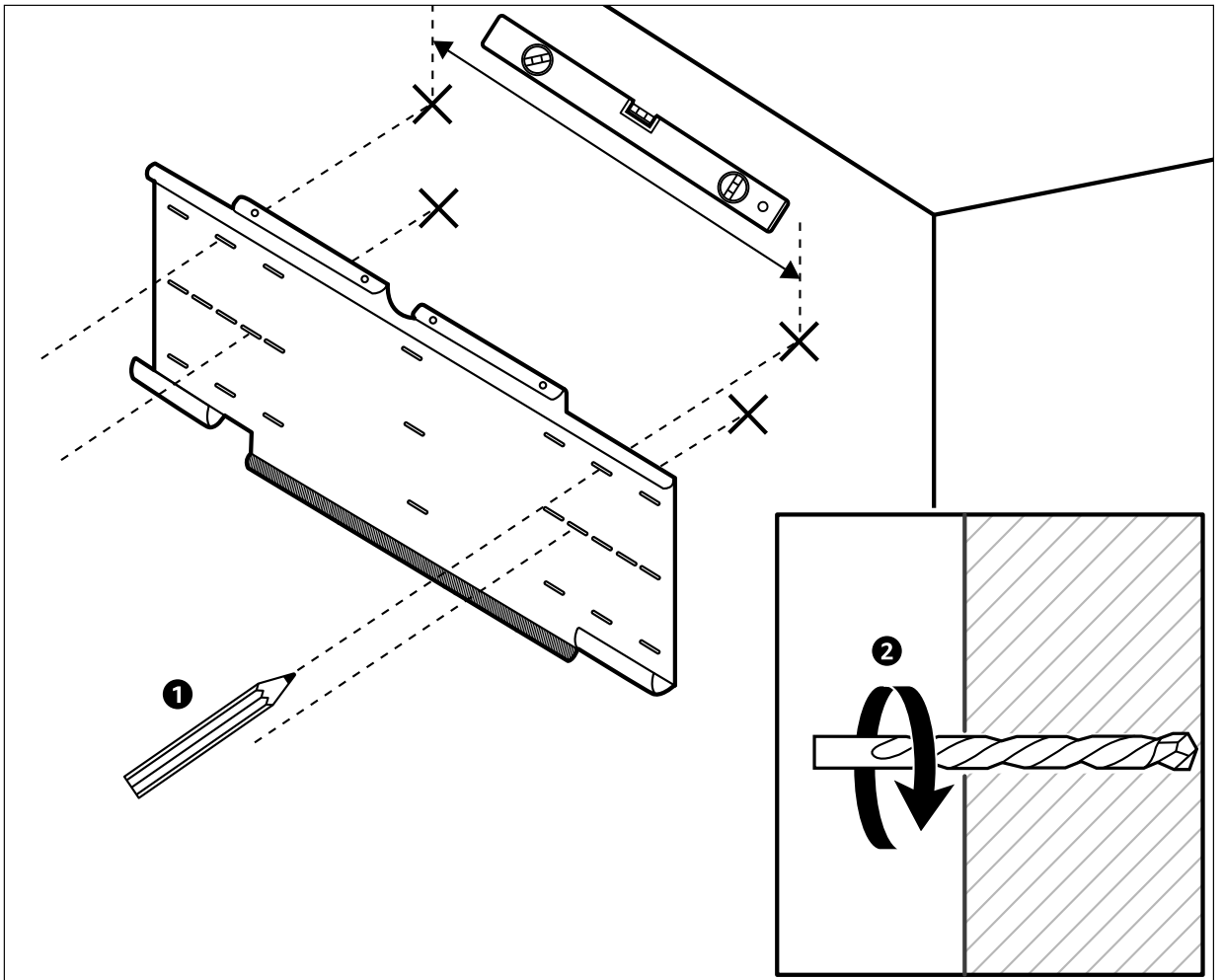
1



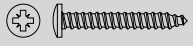
A (x 1)



2



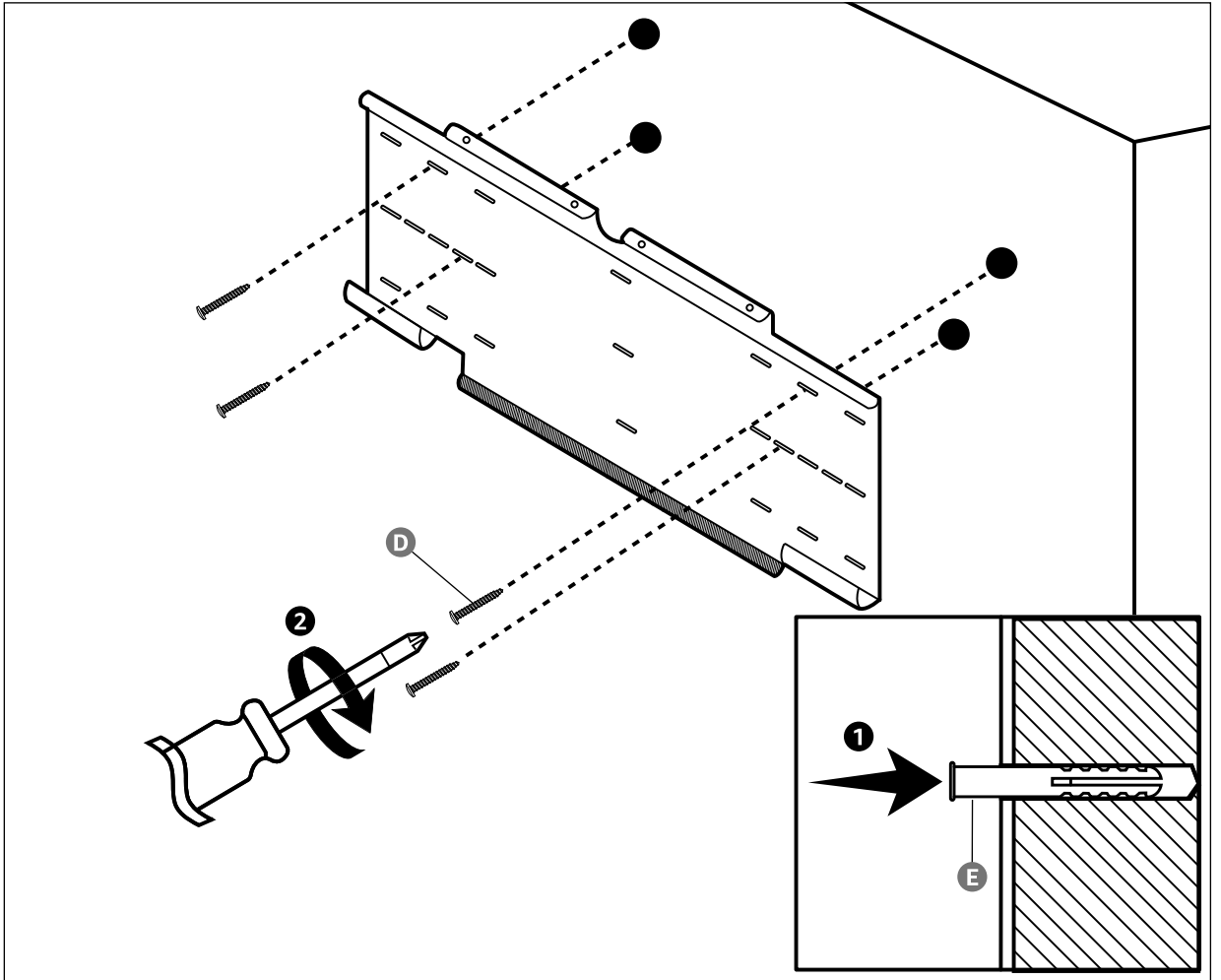
3



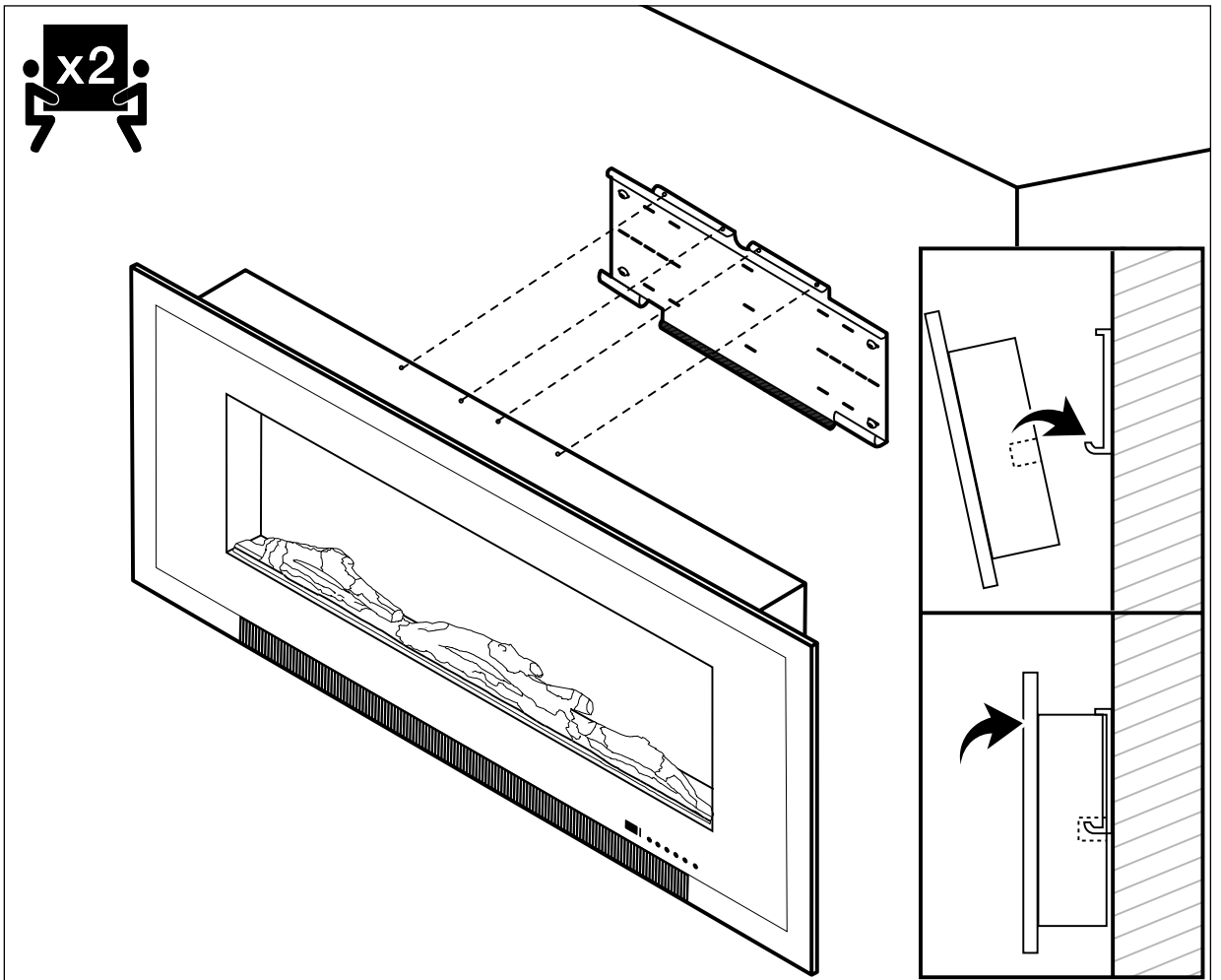
D (x 4)



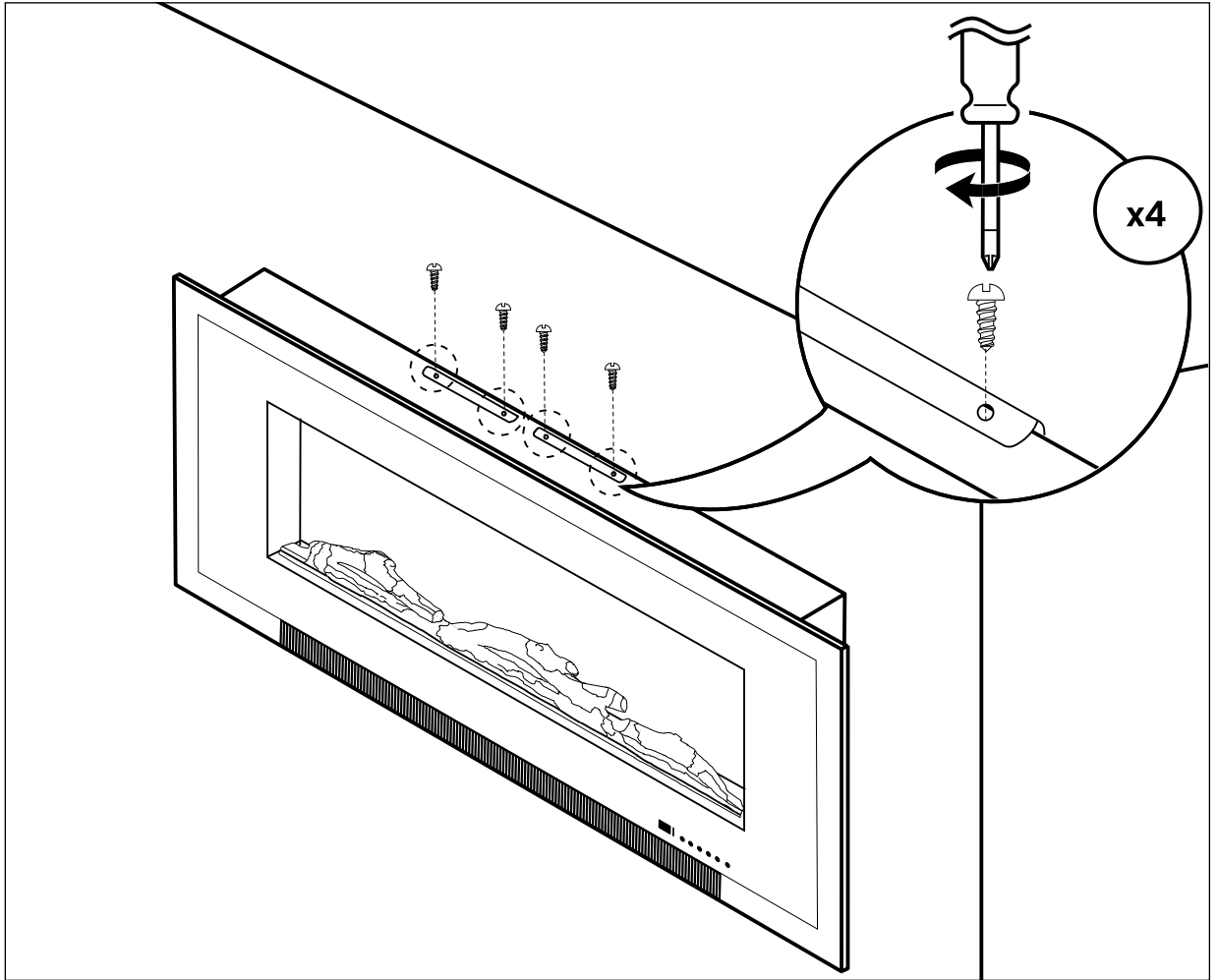
E (x 4)



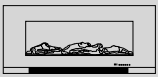
4



5

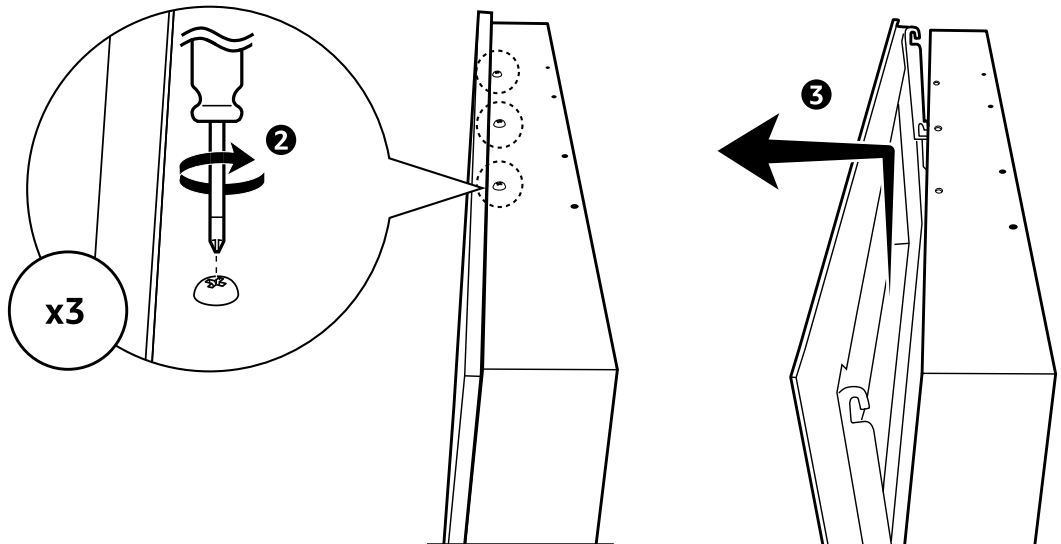
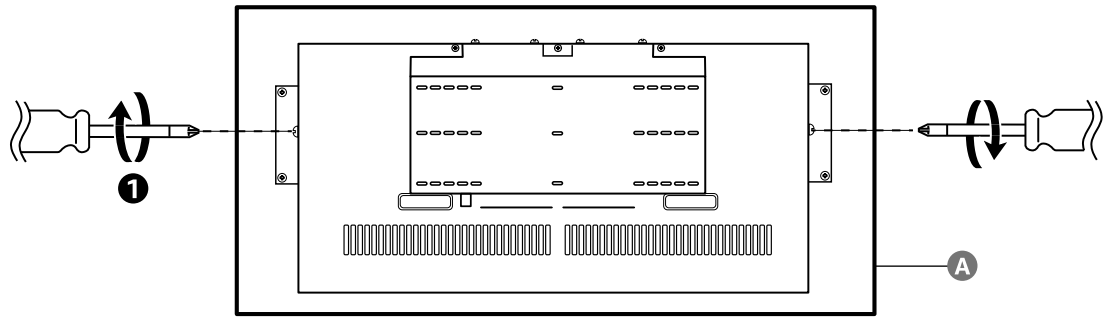


1



A (x 1)

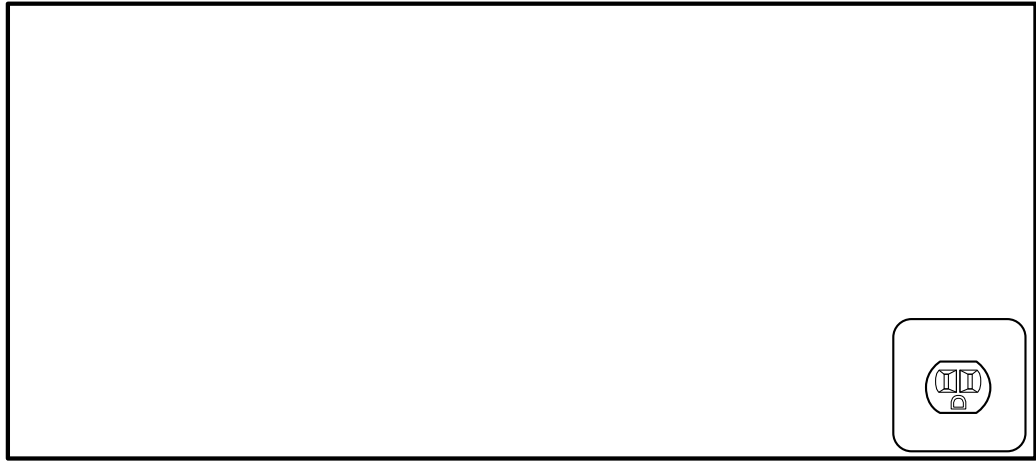
B



2

NOTICE A dedicated socket outlet must be installed inside the recessed wall opening. Keep at least 3.9" (10 cm) spacing between the back of the product and a socket outlet. The socket outlet must be wired to an accessible 16 A double pole switch. Contact a professional electrician if in doubt.

NOTICE Set the power switch to 'I' (product on) before fixing the product into the recessed wall opening.



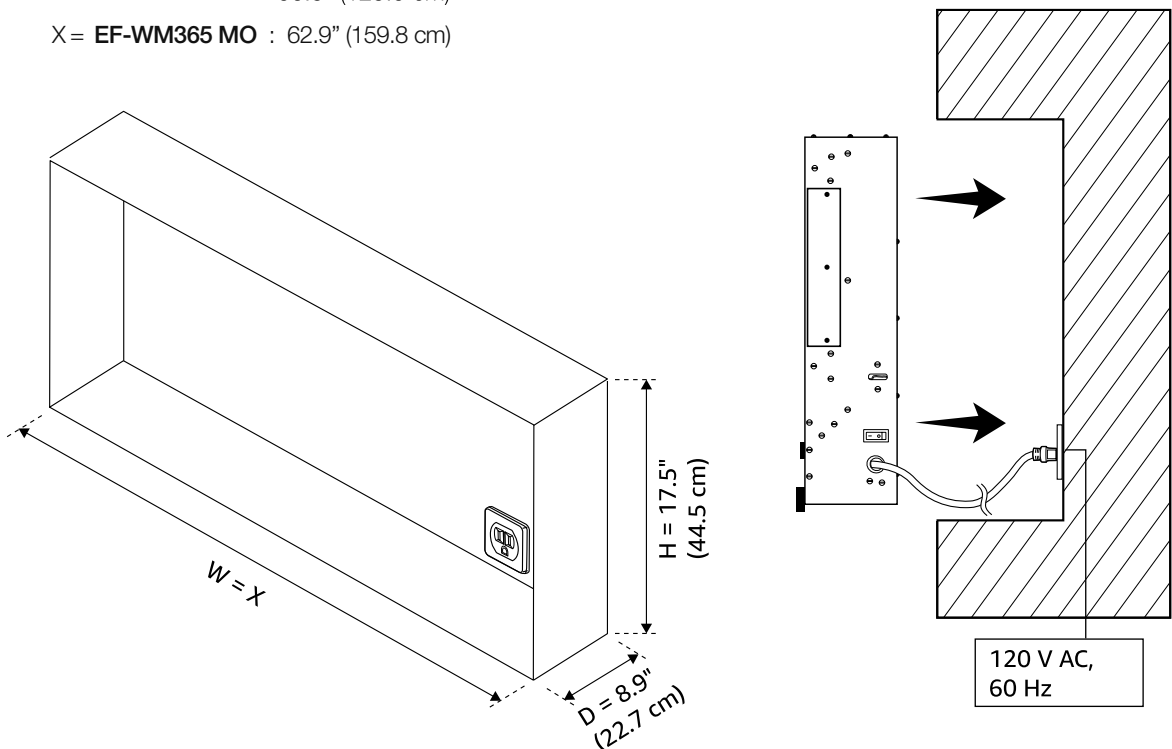
3

X = EF-WM362 MO : 32.8" (83.4 cm)

X = EF-WM363 MO : 40.9" (104.1 cm)

X = EF-WM364 MO : 50.9" (129.5 cm)

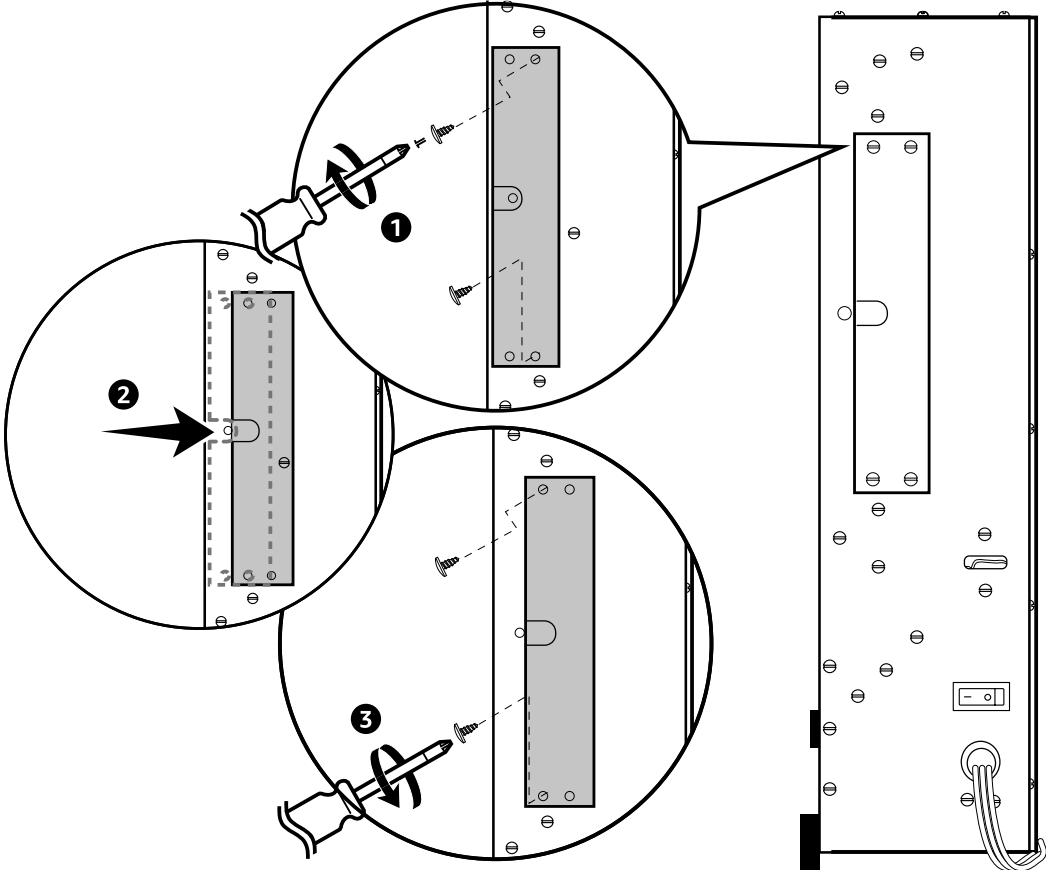
X = EF-WM365 MO : 62.9" (159.8 cm)



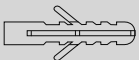
NOTICE Avoid tension on extremely bent parts of the supply cord after plugging in. Lay out the supply cord properly before placing the product into the wall.

4

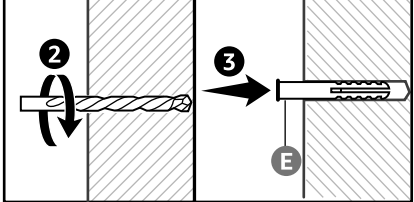
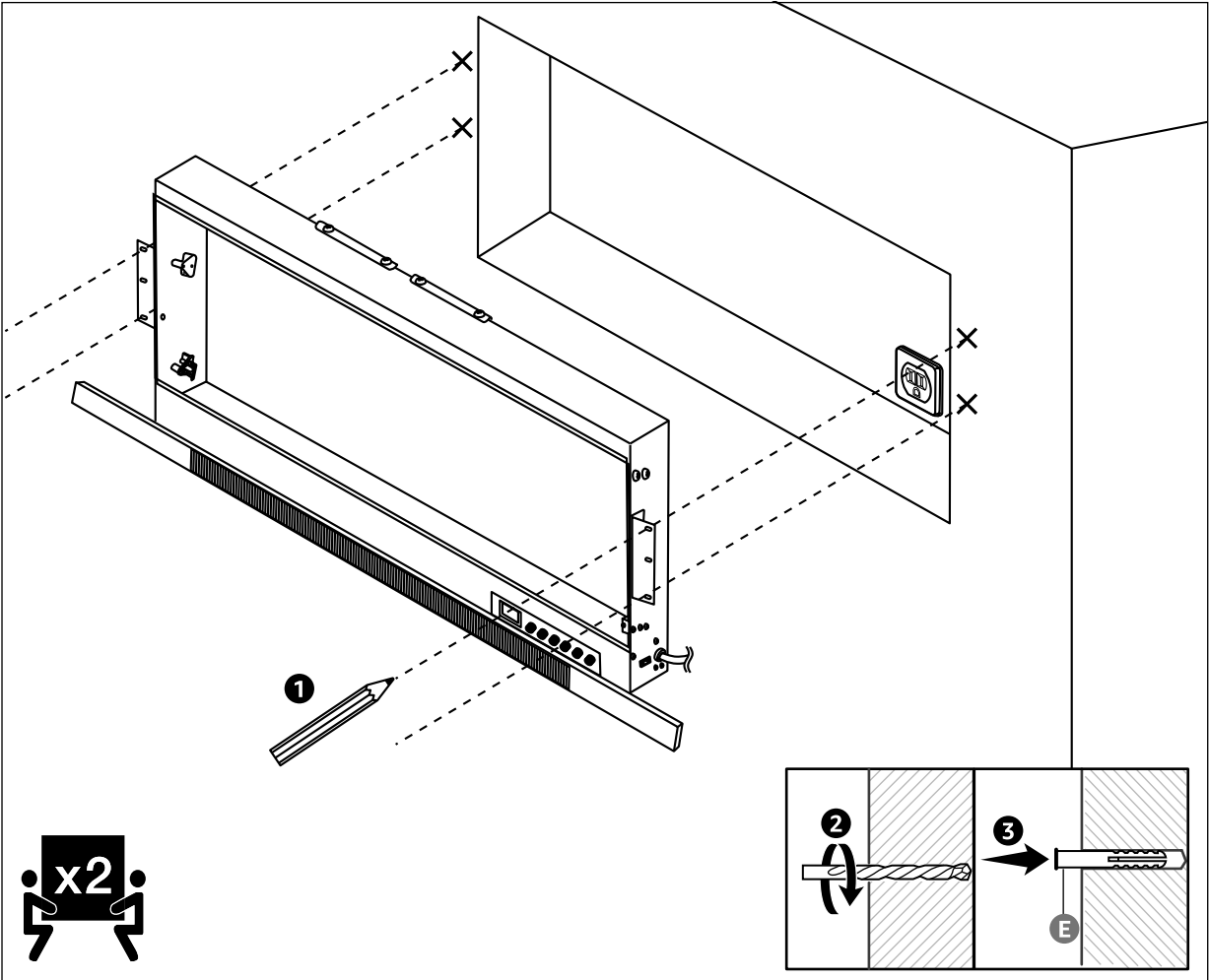
B1



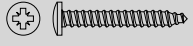
5



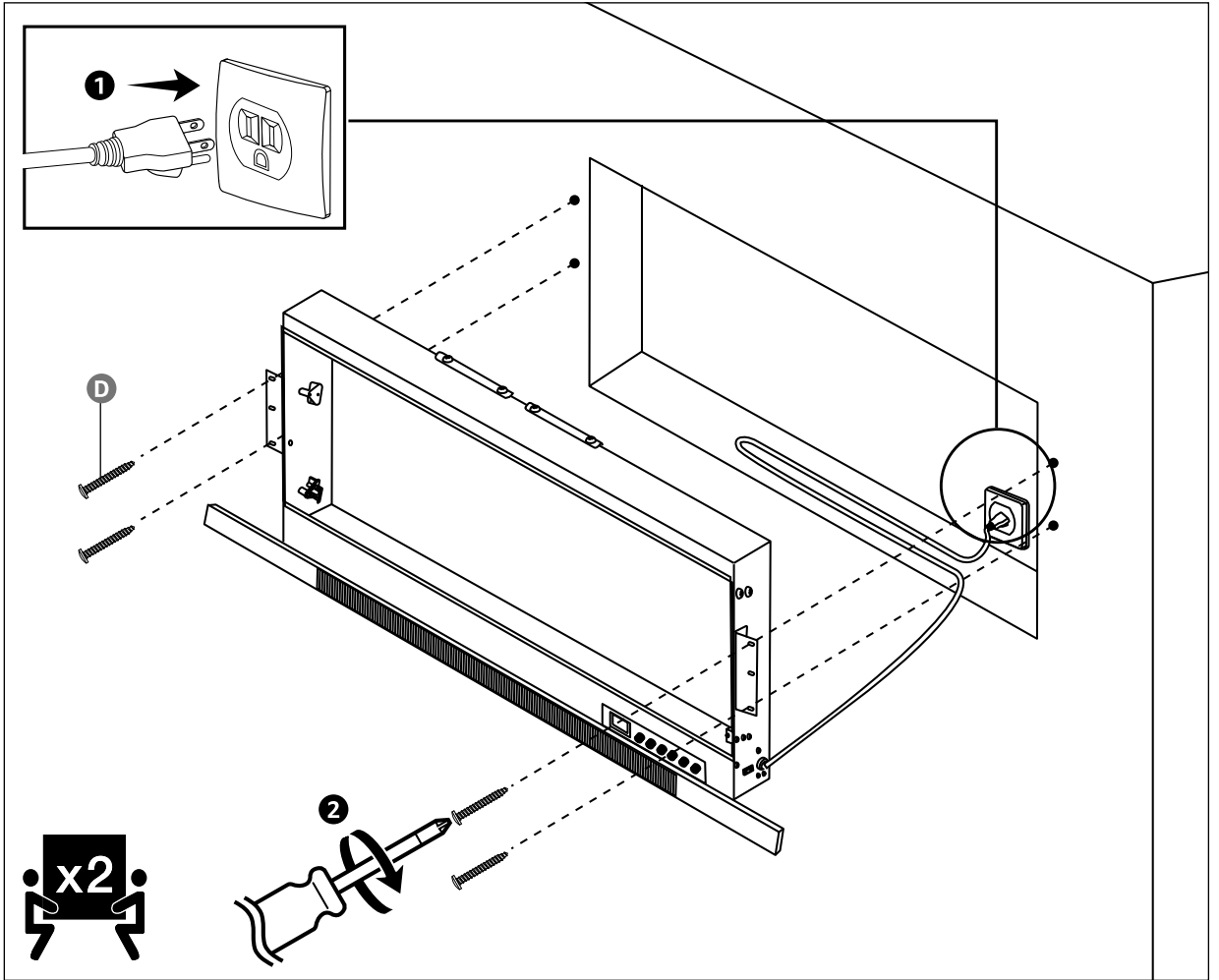
E (x 4)



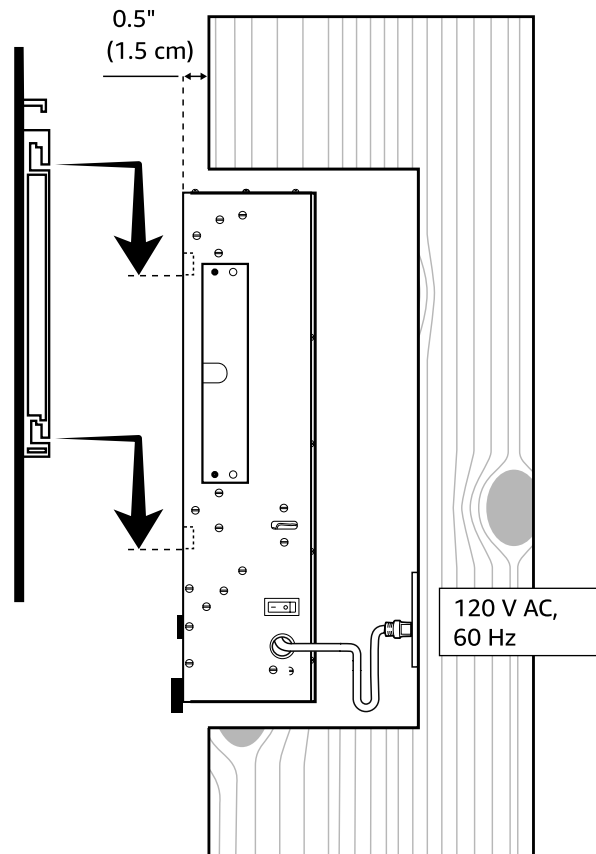
6

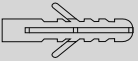
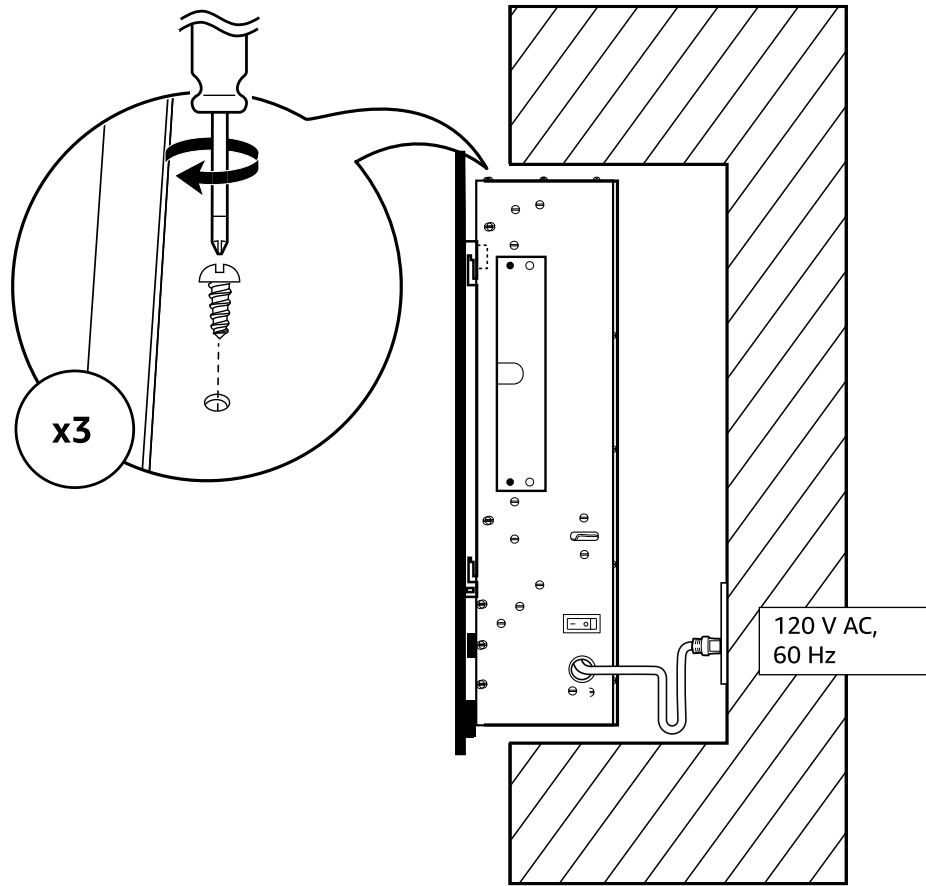


D (x 4)



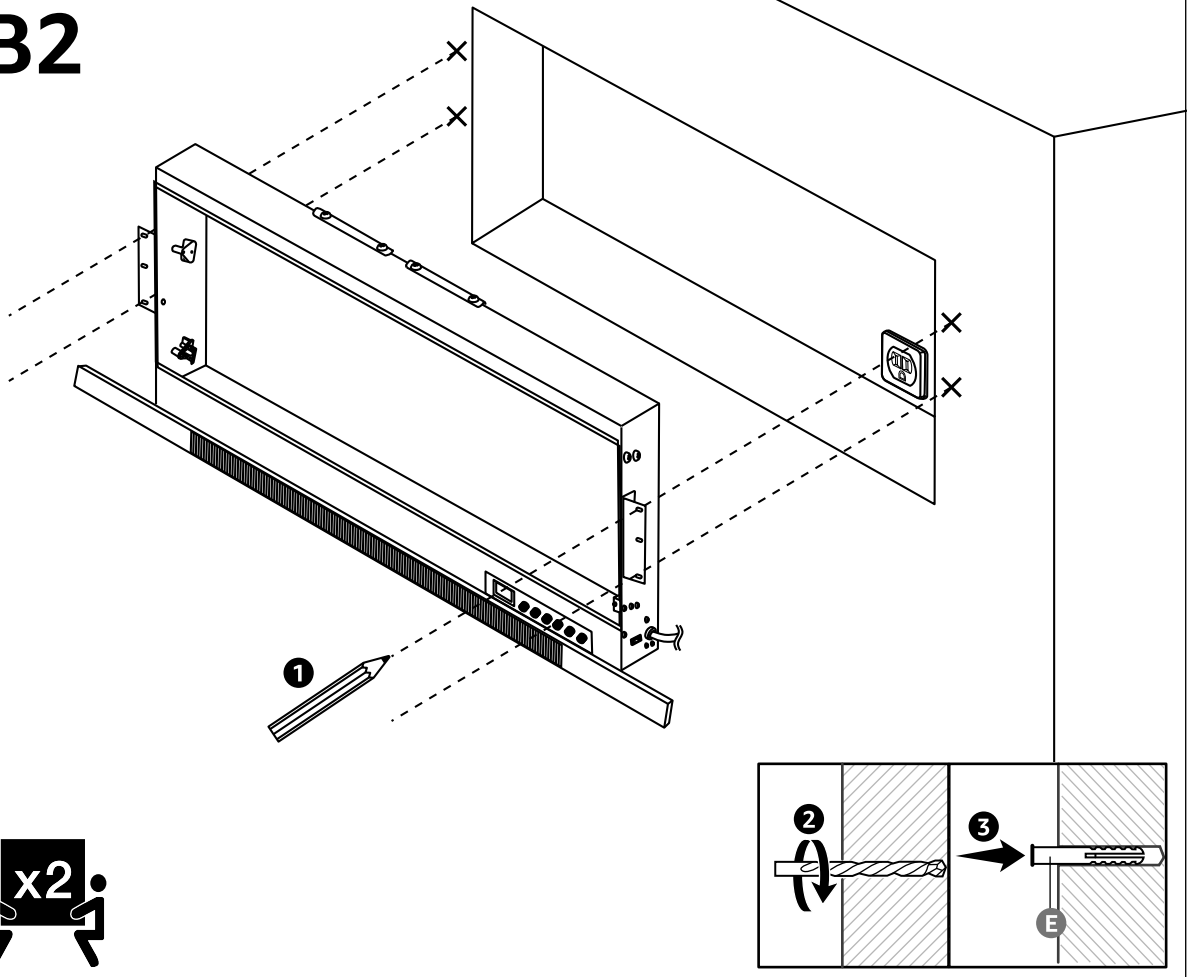
7



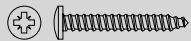


E (x 4)

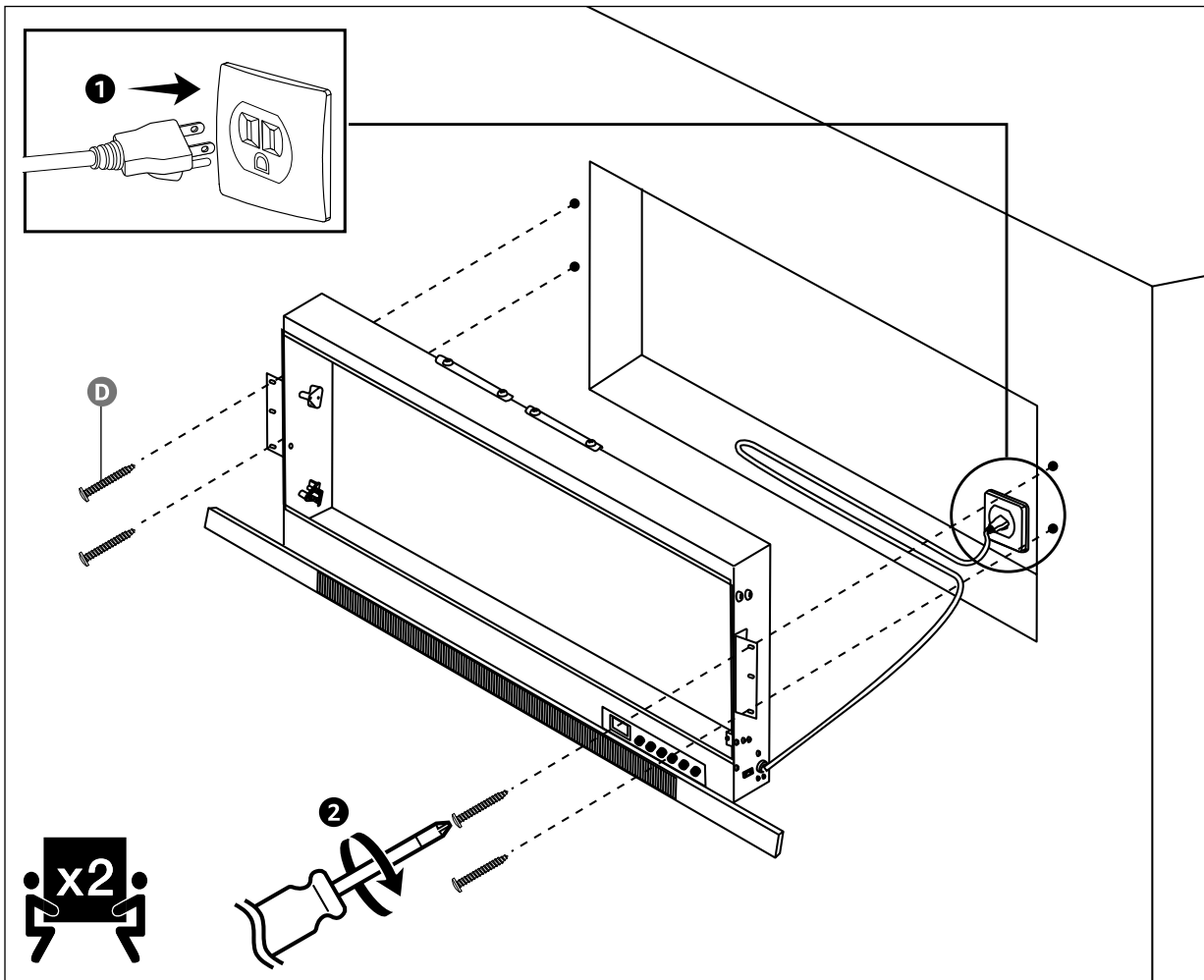
B2



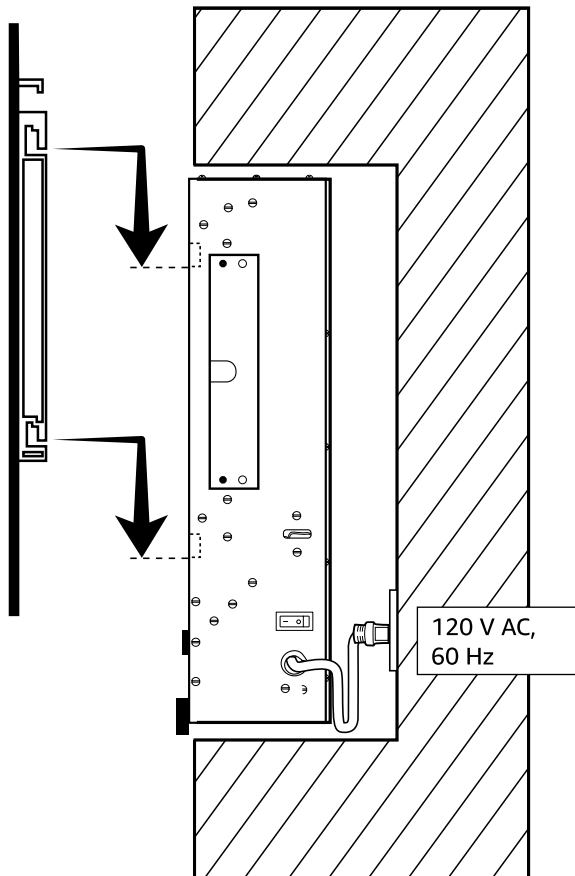
5



D (x 4)



6

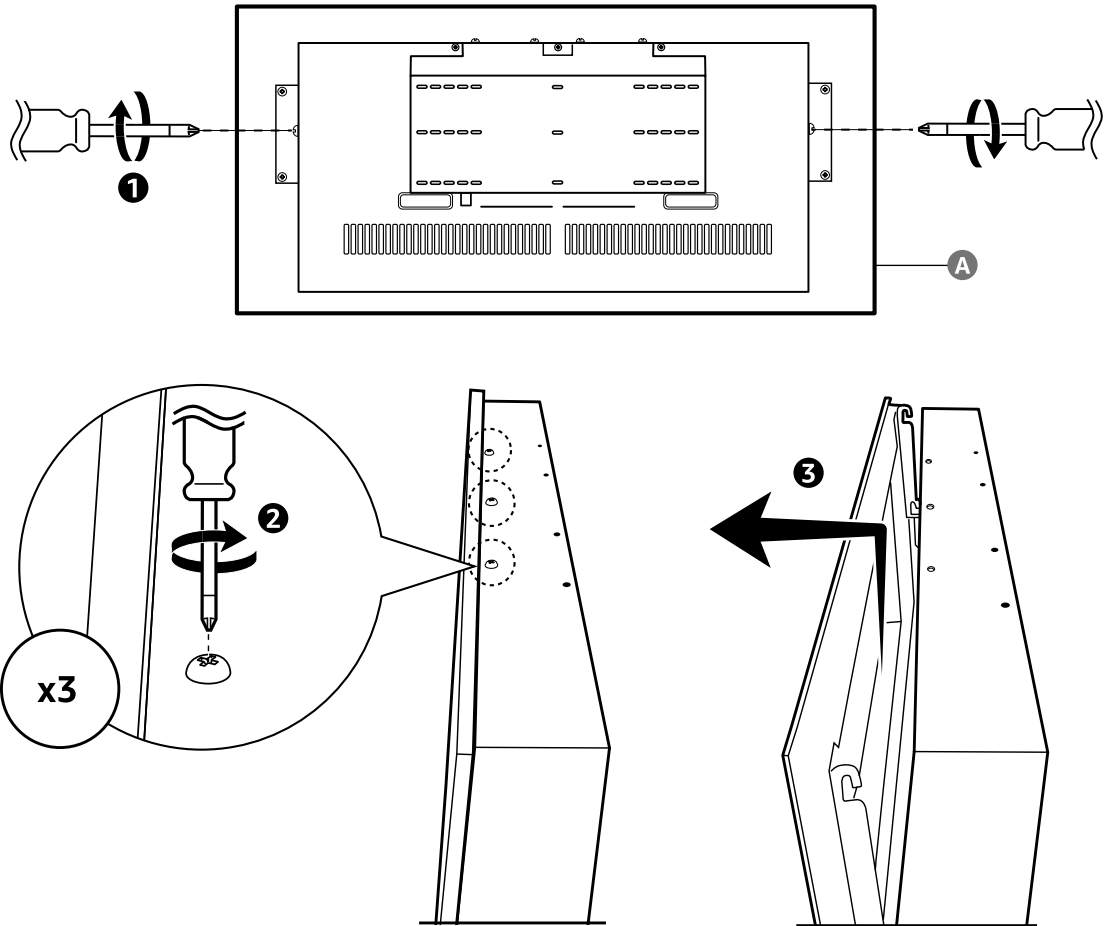


1



A (x 1)

C



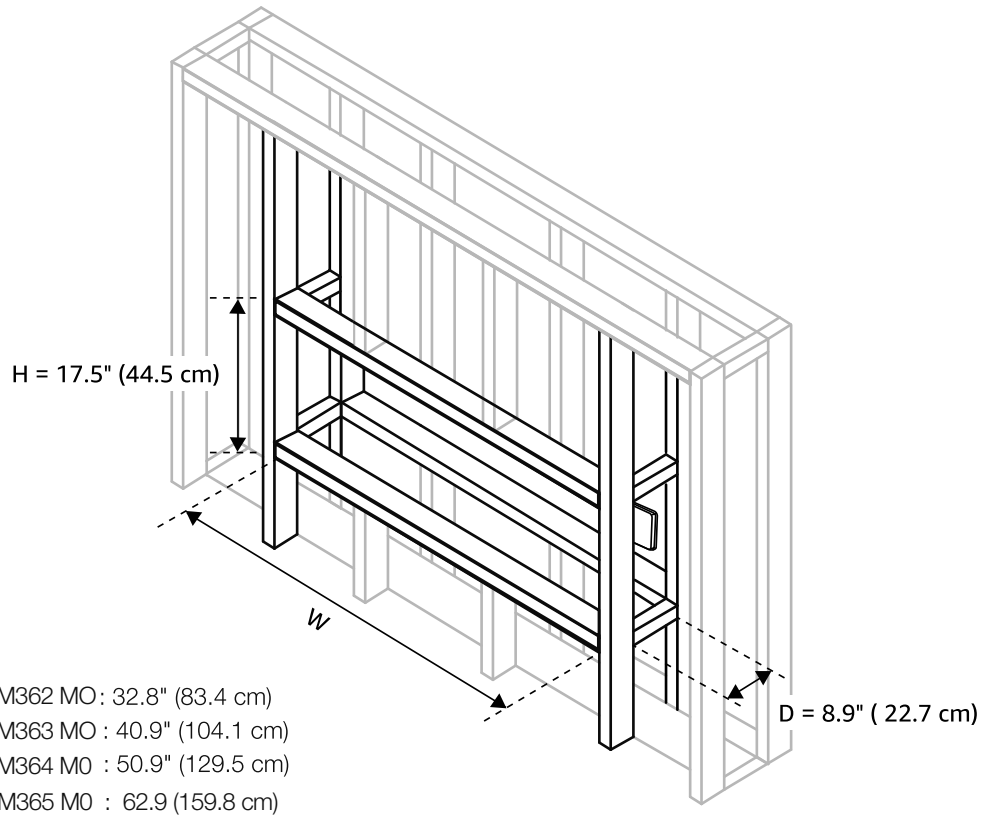
2

NOTICE A dedicated socket outlet must be installed inside the recessed wall opening. Keep at least 3.9" (10 cm) spacing between the back of the product and a socket outlet. The socket outlet must be wired to an accessible 16 A double pole switch. Contact a professional electrician if in doubt.

NOTICE Set the power switch to 'I' (product on) before fixing the product into the recessed wall opening.



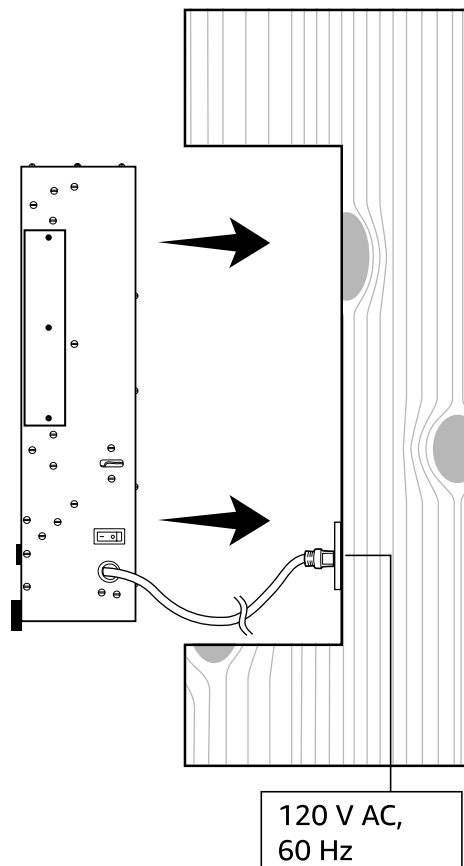
3



⚠ CAUTION Risk of injury or product damage!

Choose a location with a minimum of two wall studs capable to withstand the product weight.

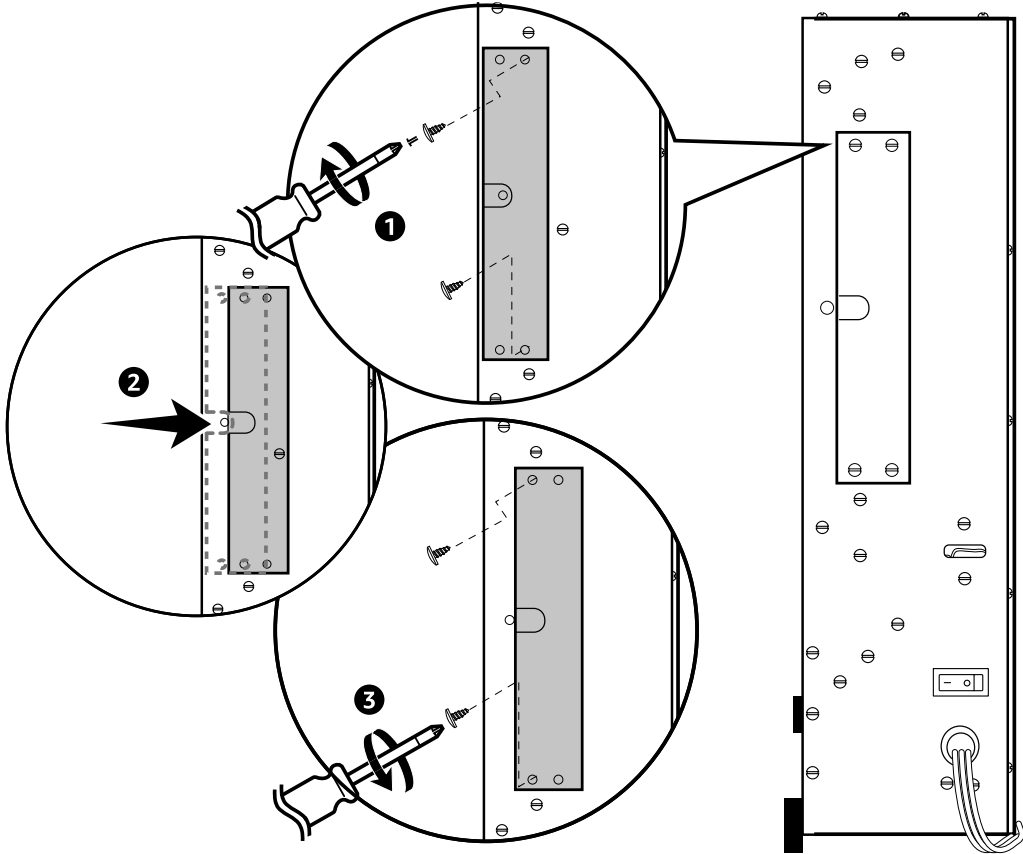
4



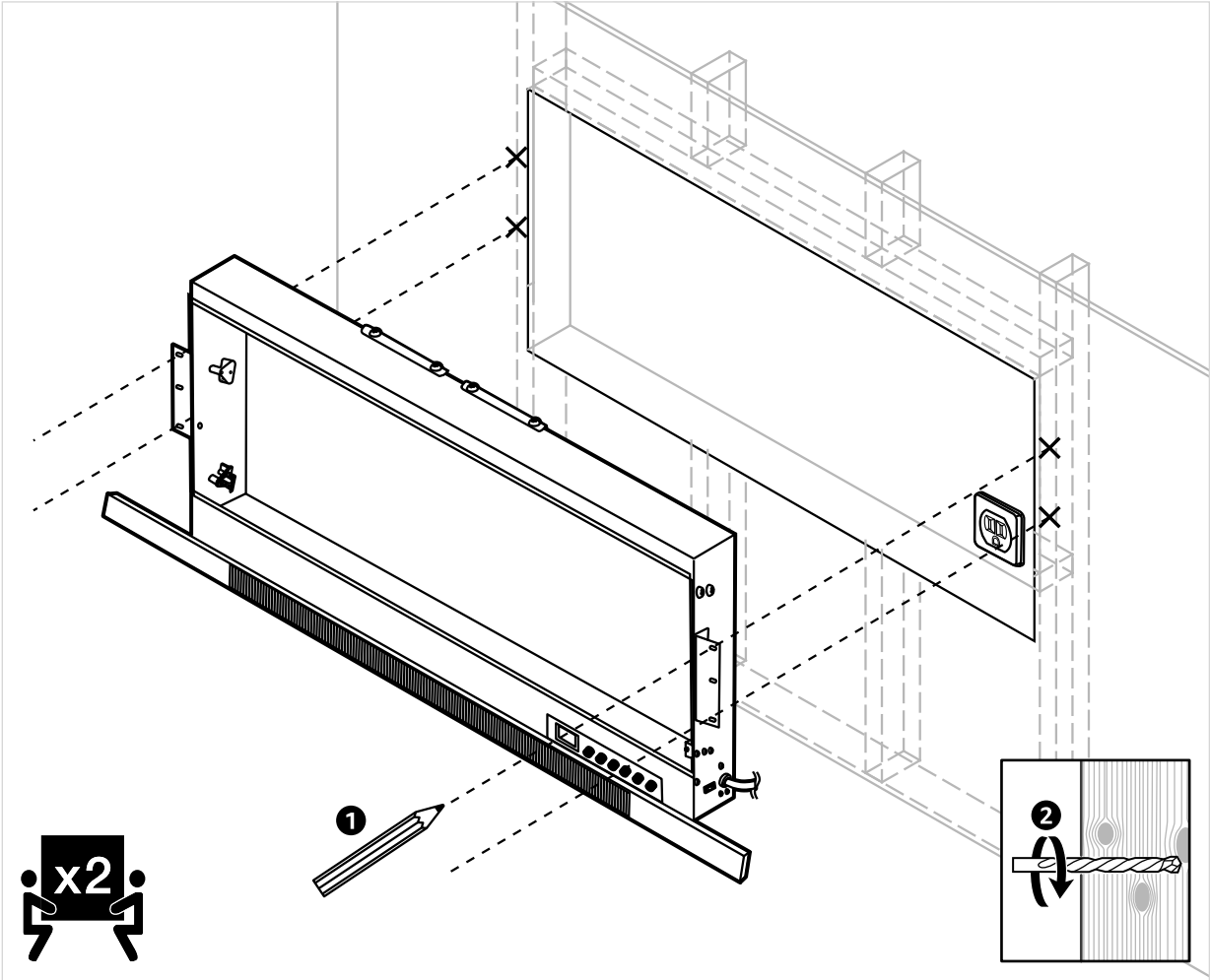
NOTICE Avoid tension on extremely bent parts of the supply cord after plugging in. Lay out the supply cord properly before placing the product into the wall.

5

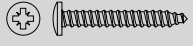
C1



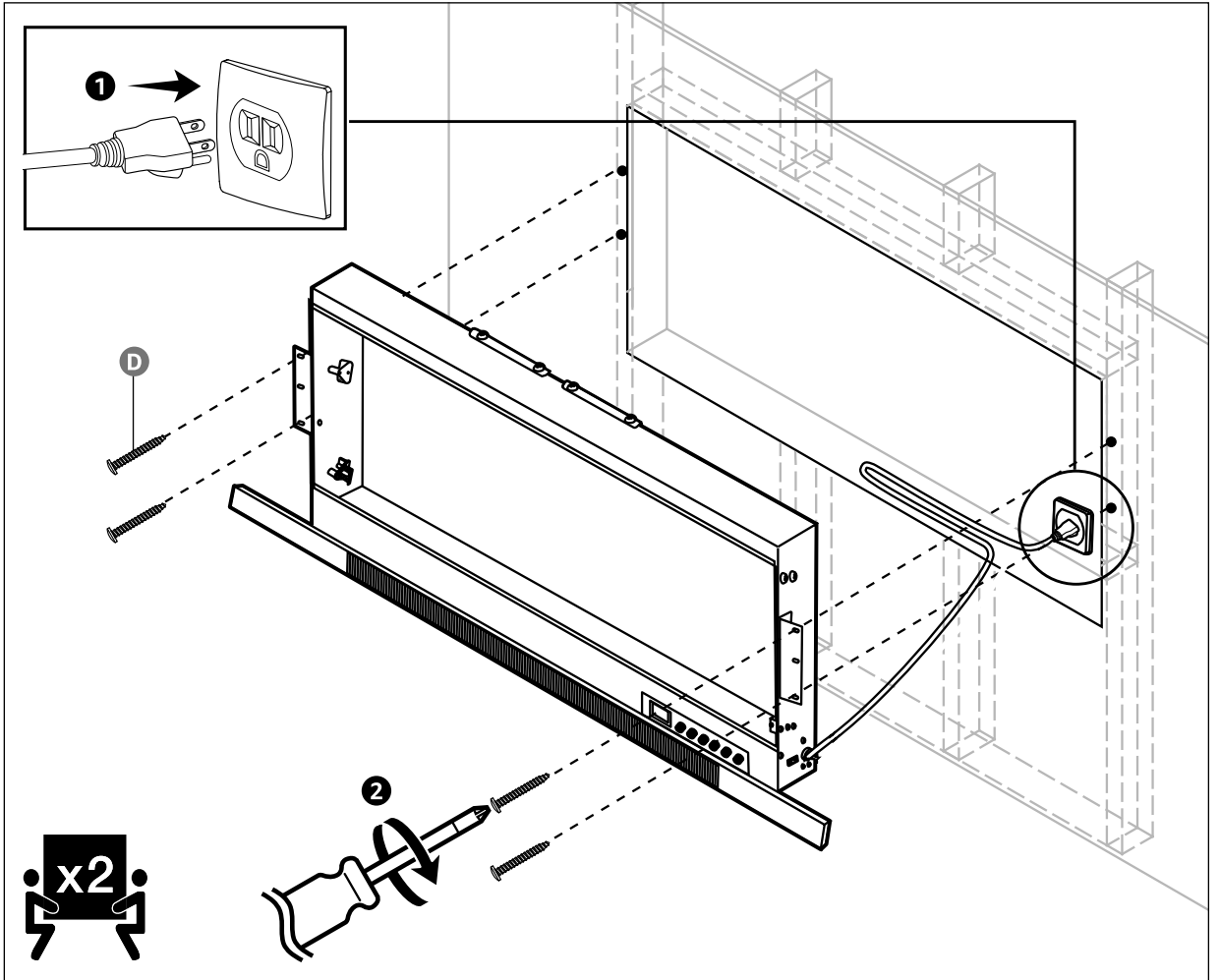
6



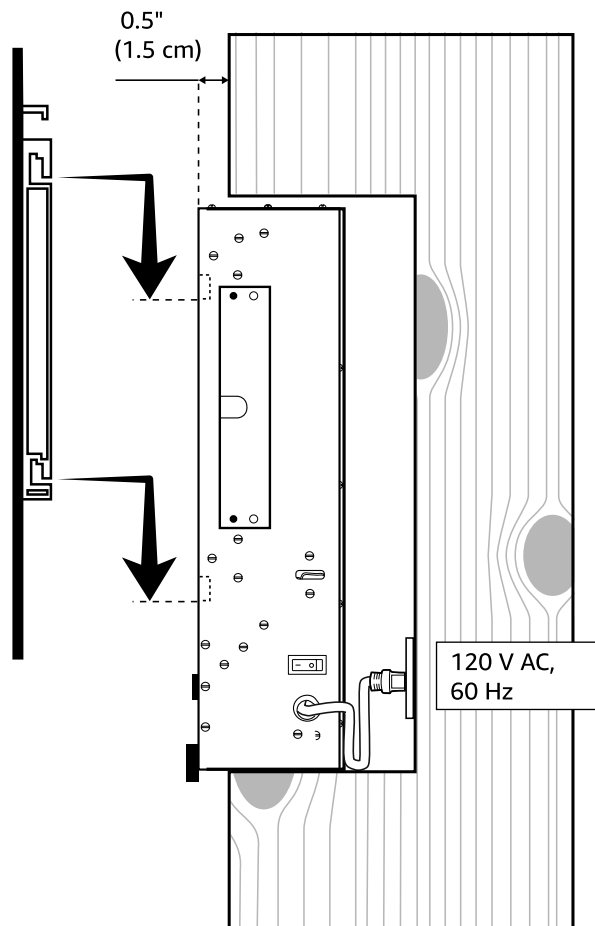
7

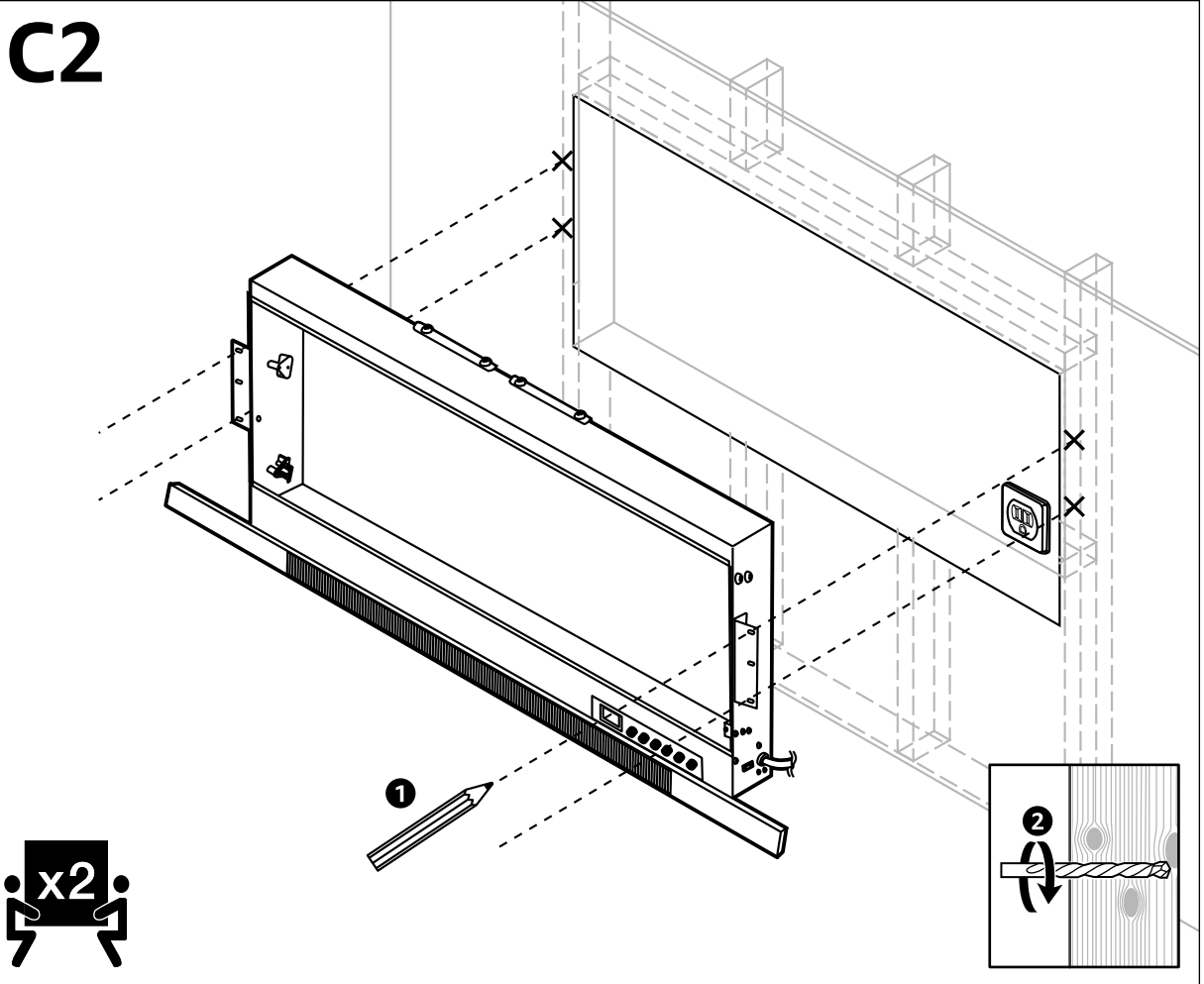
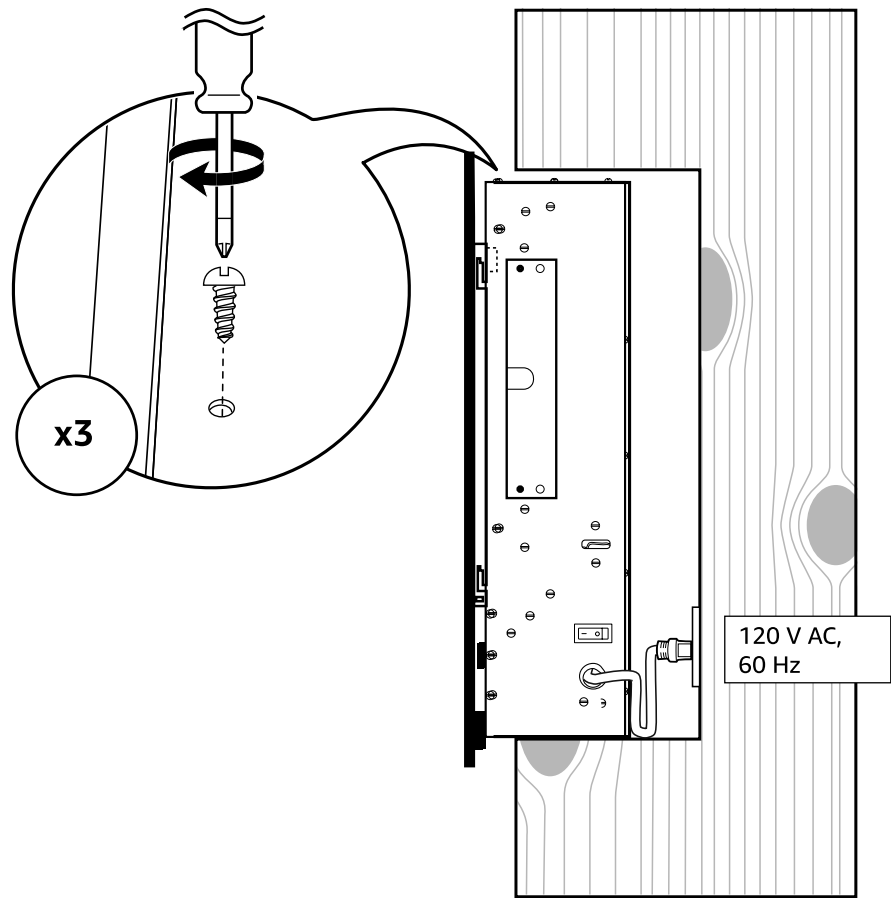


D (x 4)

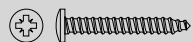


8

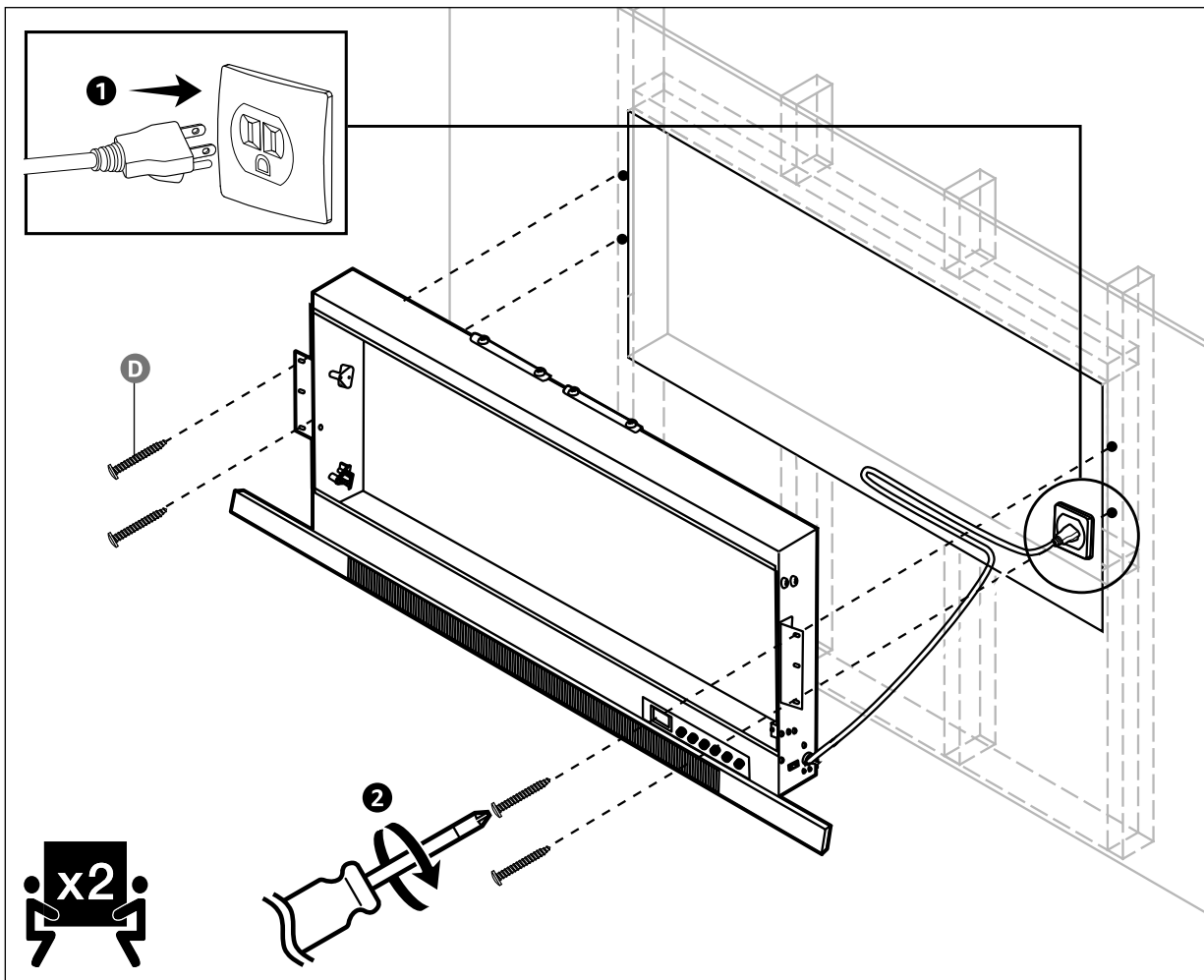




6



D (x 4)



7

