

INSTALLATION AND SERVICE MANUAL

high efficiency, separated combustion gas-fired unit heaters

models PTC and BTC

Model PTC



Effinity⁹³
with Conservicore Technology®



All models approved for use in California by the CEC and in Massachusetts. Unit heater is certified for residential (size 110 and smaller only) and commercial applications.

®Effinity⁹³, Conservicore Technology, and any combination of these names either together or with other words is trademarked by Modine Manufacturing Co.

FOR YOUR SAFETY

The use and storage of gasoline or other flammable vapors and liquids in open containers in the vicinity of this appliance is hazardous.

! WARNING

1. Improper installation, adjustment, alteration, service, or maintenance can cause property damage, injury, or death and could cause exposure to substances which have been determined by various state agencies to cause cancer, birth defects, or other reproductive harm. Read the installation, operating, and maintenance instructions thoroughly before installing or servicing this equipment.
2. Do not locate ANY gas-fired units in areas where chlorinated, halogenated, or acidic vapors are present in the atmosphere. These substances can cause premature heat exchanger failure due to corrosion, which can cause property damage, serious injury, or death.

IMPORTANT

The use of this manual is specifically intended for a qualified installation and service agency. All installation and service of these units must be performed by a qualified installation and service agency.

FOR YOUR SAFETY

WHAT TO DO IF YOU SMELL GAS:

1. Open windows.
2. Do not try to light any appliance.
3. Do not touch any electrical switch; do not use any phone in your building.
4. Extinguish any open flame.
5. Immediately call your gas supplier from a neighbor's phone. Follow the gas supplier's instructions. If you can not reach your gas supplier, call your fire department.

Inspection on Arrival

1. Inspect unit upon arrival. In case of damage, report it immediately to the transportation company and your local Modine sales representative.
2. Check rating plate on unit to verify that power supply meets available electric power at the point of installation.
3. Inspect unit upon arrival for conformance with description of product ordered (including specifications where applicable).

Table of Contents

Inspection on Arrival	1
Special Precautions	2
SI (Metric) Conversion Factors	3
Before You Begin	3
Unit Location	4
Combustible Material and Service Clearances	4
Unit Mounting	5
Installation	6
Venting	6
Venting & Condensate Drain	13
Gas Connections	14
High-Altitude Accessory Kit	15
Electrical Connections	17
Ductwork	18
Performance Data	20
Dimensions	26
Service/Troubleshooting	28
Model/Serial Number/Replacement Parts	31
Commercial Warranty	Back Cover

SPECIAL PRECAUTIONS

SPECIAL PRECAUTIONS

THE INSTALLATION AND MAINTENANCE INSTRUCTIONS IN THIS MANUAL MUST BE FOLLOWED TO PROVIDE SAFE, EFFICIENT AND TROUBLE-FREE OPERATION. IN ADDITION, PARTICULAR CARE MUST BE EXERCISED REGARDING THE SPECIAL PRECAUTIONS LISTED BELOW. FAILURE TO PROPERLY ADDRESS THESE CRITICAL AREAS COULD RESULT IN PROPERTY DAMAGE OR LOSS, PERSONAL INJURY, OR DEATH. THESE INSTRUCTIONS SUBJECT TO ANY MORE RESTRICTIVE LOCAL OR NATIONAL CODES.

HAZARD INTENSITY LEVELS

1. **DANGER:** Indicates an imminently hazardous situation which, if not avoided, WILL result in death or serious injury.
2. **WARNING:** Indicates a potentially hazardous situation which, if not avoided, COULD result in death or serious injury.
3. **CAUTION:** Indicates a potentially hazardous situation which, if not avoided, MAY result in minor or moderate injury.
4. **IMPORTANT:** Indicates a situation which, if not avoided, MAY result in a potential safety concern.

DANGER

Appliances must not be installed where they may be exposed to a potentially explosive or flammable atmosphere.

WARNING

1. Gas fired heating equipment must be vented - do not operate unvented.
2. A built-in power exhauster is provided - additional external power exhausters are not required or permitted.
3. Unit must not be common vented with other appliances.
4. If an existing heater is being replaced, the vent system must meet the requirements specified in this manual. Improperly sized or constructed venting systems can result in vent gas leakage or the formation of condensate. Failure to follow these instructions can result in injury or death.
5. In locations where the outside air temperature falls below freezing, icicles may form on horizontal vent terminations from the condensate formed in the vent system. Locate the vent termination where a falling icicle will not be a hazard.
6. Installation must conform with local building codes or in the absence of local codes, the National Fuel Gas Code, ANSI Z223.1 (NFPA 54) - latest edition. In Canada installation must be in accordance with CSA-B149.1.
7. Do not install PVC pipe near high temperature sources of heat exceeding 140°F that could damage the pipe and cause hazardous leaks of products of combustion or water into the space.
8. All field gas piping must be pressure/leak tested prior to operation. Never use an open flame. Use a soap solution or equivalent for testing.
9. Gas pressure to appliance controls must never exceed 14" W.C. (1/2 psi).
10. To reduce the opportunity for condensation, the minimum sea level input to the appliance, as indicated on the serial plate, must not be less than 5% below the rated input, or 5% below the minimum rated input of dual rated units.
11. Disconnect power supply before making wiring connections to prevent electrical shock and equipment damage.
12. All appliances must be wired strictly in accordance with the wiring diagram furnished with the appliance. Any wiring different from the wiring diagram could result in a hazard to persons and property.

WARNING

13. Any original factory wiring that requires replacement must be replaced with wiring material having a temperature rating of at least 105°C.
14. Ensure that the supply voltage to the appliance, as indicated on the serial plate, is not 5% greater than or 5% less than the rated voltage.
15. When servicing or repairing this equipment, use only factory-approved service replacement parts. A complete replacements parts list may be obtained by contacting the factory. Refer to the rating plate on the appliance for complete appliance model number, serial number, and company address. Any substitution of parts or controls not approved by the factory will be at the owner's risk.

CAUTION

1. All literature shipped with this unit should be kept for future use for servicing or service diagnostics. Do not discard any literature shipped with this unit.
2. Consult piping, electrical, and venting instructions in this manual before final installation.
3. Do not attach ductwork, air filters, or polytubes to any propeller unit heater.
4. Clearances to combustible materials are critical. Be sure to follow all listed requirements.
5. Heaters are designed for use in heating applications with ambient temperatures between 40°F and 80°F. Heaters should not be used in applications where the heated space temperature is below 40°F. The combination of low space and combustion air temperatures may result in condensate freezing in the secondary heat exchanger and/or condensate drain.
6. Do not install unit outdoors.
7. In garages or other sections of aircraft hangars such as offices and shops that communicate with areas used for servicing or storage, keep the bottom of the unit at least 7' above the floor unless the unit is properly guarded to provide user protection from moving parts and interior surface temperatures that can cause serious burns if touched. In parking garages, the unit must be installed in accordance with the standard for parking structures ANSI/NFPA 88A, and in repair garages the standard for repair garages NFPA 30A (formerly NFPA 88B). In Canada, installation of heaters in airplane hangars must be in accordance with the requirements of the enforcing authority, and in public garages in accordance with the current CSA-B149 codes.
8. In aircraft hangars, keep the bottom of the unit at least 10' from the highest surface of the wings or engine enclosure of the highest aircraft housed in the hangars and in accordance with the requirements of the enforcing authority and/or NFPA 409 - latest edition.
9. Installation of units in high humidity or salt water atmospheres will cause accelerated corrosion resulting in a reduction of the normal life of the units.
10. Do not install units below 7' measured from the bottom of the unit to the floor in commercial applications (unless unit is properly guarded to provide user protection from moving parts and interior surface temperatures that can cause serious burns if touched) and 5' measured from the bottom of the unit to the floor in residential applications (sizes 110 and smaller only).
11. Be sure no obstructions block air intake and discharge of unit heaters.

SPECIAL PRECAUTIONS / SI (METRIC) CONVERSION FACTORS

CAUTION

12. The minimum distance from combustible material is based on the combustible material surface not exceeding 160°F. Clearance from the top of the unit may be required to be greater than the minimum specified if heat damage, other than fire, may occur to materials above the unit heater at the temperature described.
13. Allow 18" of clearance at rear (or 12" beyond end of motor at rear of unit, whichever is greater) and access side to provide ample air for proper operation of fan.
14. The concentric vent adapter box must be installed inside of the structure or building. Do not install this box on the exterior of a building or structure.
15. Purging of air from gas supply line should be performed as described in the National Fuel Gas Code, ANSI Z223.1 (NFPA 54) - latest edition, or in Canada in CSA-B149 codes.
16. When leak testing the gas supply piping system, the appliance and its combination gas control must be isolated during any pressure testing in excess of 14" W.C. (1/2 psi).
17. The unit should be isolated from the gas supply piping system by closing its field installed manual shut-off valve. This manual shut-off valve should be located within 6' of the heater.
18. Turn off all gas before installing appliance.
19. Check the gas inlet pressure at the unit upstream of the combination gas control. The inlet pressure should be 6-7" W.C. on natural gas or 12-14" W.C. on propane. If inlet pressure is too high, install an additional pressure regulator upstream of the combination gas control.
20. Service or repair of this equipment must be performed by a qualified service agency.
21. Do not attempt to reuse any mechanical or electronic ignition controller which has been wet. Replace defective controller.

IMPORTANT

1. To prevent premature heat exchanger failure, do not locate ANY gas-fired appliances in areas where corrosive vapors (i.e. chlorinated, halogenated, or acidic) are present in the atmosphere.
2. To prevent premature heat exchanger failure, the input to the appliance as indicated on the serial plate, must not exceed the rated input by more than 5%. Verify that the blower has been set to the proper RPM for the application. Refer to page 19 for blower adjustments.
3. Start-up and adjustment procedures must be performed by a qualified service agency.

BEFORE YOU BEGIN

CAUTION

1. All literature shipped with this unit should be kept for future use for servicing or service diagnostics. Leave manual with the owner. Do not discard any literature shipped with this unit.
2. Consult piping, electrical, and venting instructions in this manual before final installation.
3. Do not attach ductwork, air filters, or polytubes to any propeller unit heater.

In the U.S., the installation of these units must comply with the the National Fuel Gas Code, ANSI Z223.1 (NFPA 54) - latest edition, or in other applicable local building codes. In Canada, the installation of these units must comply with local plumbing or waste water codes and other applicable codes and with the current code CSA-B149.1.

1. All installation and service of these units must be performed by a qualified installation and service agency only as defined in ANSI Z223.1 (NFPA 54) - latest edition or in Canada by a licensed gas fitter.
2. This unit is certified with the controls furnished. For replacements parts, please order according to the replacement parts list on serial plate. Always know your model and serial numbers. Modine reserves the right to substitute other authorized controls as replacements.
3. Unit is balanced for correct performance. Do not alter fan or operate motors at speeds below what is shown in this manual.
4. Information on controls is supplied separately.

SI (Metric) Conversion Factors

To Convert	Multiply By	To Obtain
"W.C.	0.249	kPa
°F	(°F-32) x 5/9	°C
BTU	1.06	kJ
Btu/ft ³	37.3	kJ/m ³
Btu/hr	0.000293	kW
CFH (ft ³ /hr)	0.000472	m ³ /min
CFH (ft ³ /hr)	0.00000787	m ³ /s
CFM (ft ³ /min)	0.0283	m ³ /min
CFM (ft ³ /min)	0.000472	m ³ /s
feet	0.305	m
Gal/Hr.	0.00379	m ³ /hr
Gal/Hr.	3.79	l/hr
gallons	3.79	l
Horsepower	746	W
inches	25.4	mm
pound	0.454	kg
psig	6.89	kPa
psig	27.7	"W.C.

UNIT LOCATION

UNIT LOCATION

⚠ DANGER

Appliances must not be installed where they may be exposed to a potentially explosive or flammable atmosphere.

⚠ CAUTION

- Clearances to combustible materials are critical. Be sure to follow all listed requirements.
- Heaters are designed for use in heating applications with ambient temperatures between 40°F and 80°F. Heaters should not be used in applications where the heated space temperature is below 40°F. The combination of low space and combustion air temperatures may result in condensate freezing in the secondary heat exchanger and/or condensate drain.
- Do not install unit outdoors.
- In garages or other sections of aircraft hangars such as offices and shops that communicate with areas used for servicing or storage, keep the bottom of the unit at least 7' above the floor unless the unit is properly guarded to provide user protection from moving parts and interior surface temperatures that can cause serious burns if touched. In parking garages, the unit must be installed in accordance with the standard for parking structures ANSI/ NFPA 88A, and in repair garages the standard for repair garages NFPA 30A (formerly NFPA 88B). In Canada, installation of heaters in airplane hangars must be in accordance with the requirements of the enforcing authority, and in public garages in accordance with the current CSA-B149 codes.
- In aircraft hangars, keep the bottom of the unit at least 10' from the highest surface of the wings or engine enclosure of the highest aircraft housed in the hangars and in accordance with the requirements of the enforcing authority and/or NFPA 409 - latest edition.
- Installation of units in high humidity or salt water atmospheres will cause accelerated corrosion resulting in a reduction of the normal life of the units.

IMPORTANT

To prevent premature heat exchanger failure, do not locate ANY gas-fired appliances in areas where corrosive vapors (i.e. chlorinated, halogenated, or acidic) are present in the atmosphere.

Location Recommendations

- When locating the heater, consider general space and heating requirements, availability of gas and electrical supply, and proximity to vent locations and condensate drain lines.
- When locating units, it is important to consider that the combustion air and exhaust vent piping must be connected to the outside atmosphere. Vent terminals should be located adjacent to one another. Maximum equivalent vent lengths are listed in "Section A - General Instruction - All Units" of the Venting instructions.
- Be sure the structural support at the unit location site is adequate to support the unit's weight. Refer to pages 26 and 27 for unit weights. For proper operation the unit must be installed in a level horizontal position.

Figure 4.1 - Combustible Material and Service Clearances

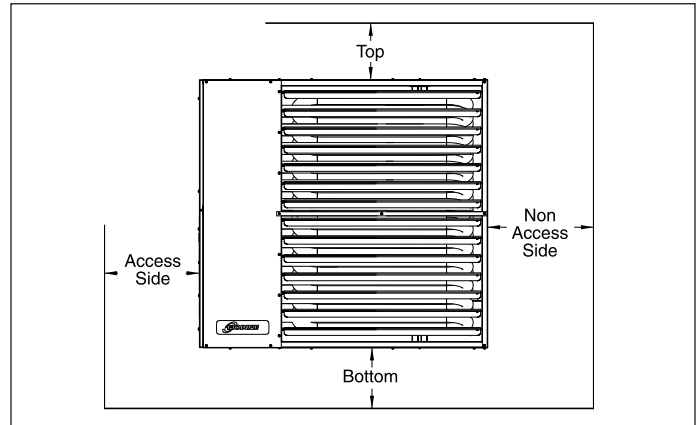


Table 4.1 - Clearances - Sizes 110 and Below

Unit Side	Clearance To Combustible Materials	Recommended Service Clearance
Top and Bottom	1"	18"
Access Side	1"	18"
Non-Access Side	1"	18"
Rear	18"	18"
Vent Connector	6"	18"

Table 4.2 - Clearances - Sizes 135-310

Unit Side	Clearance To Combustible Materials	Recommended Service Clearance
Top and Bottom	6"	18"
Access Side	6"	18"
Non-Access Side	6"	18"
Rear	18"	18"
Vent Connector	6"	18"

- Do not install units in locations where the flue products can be drawn into the adjacent building openings such as windows, fresh air intakes, etc.
- Be sure that the minimum clearances to combustible materials and recommended service clearances are maintained. Units are designed for installation with the minimum clearances as shown in Figure 4.1 and Table 4.1. Clearance from the top of the unit may be required to be greater than 6" if heat damage other than fire could result (such as material distortion or discoloration).
- Do not install units in locations exposed to water spray, rain, or dripping water.
- Mounting height (measured from bottom of unit) at which unit heaters are installed is critical. Refer to mounting height and heat throw data on page 24 of this manual. The maximum mounting height for any unit is that height above which the unit will not deliver heated air to the floor.

Sound and Vibration Levels

All standard mechanical equipment generates some sound and vibration that may require attenuation. Libraries, private offices and hospital facilities will require more attenuation, and in such cases, an acoustical consultant may be retained to assist in the application. Locating the equipment away from the critical area is desirable within ducting limitations. Generally, a unit should be located within 15' of a primary support beam. Smaller deflections typically result in reduced vibration and noise transmission.

UNIT MOUNTING

! CAUTION

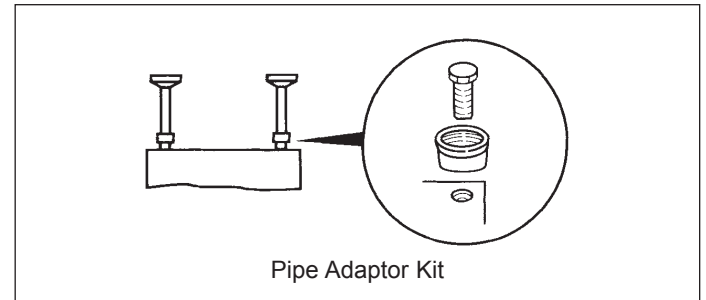
1. Do not install units below 7' measured from the bottom of the unit to the floor in commercial applications (unless unit is properly guarded to provide user protection from moving parts and interior surface temperatures that can cause serious burns if touched) and 5' measured from the bottom of the unit to the floor in residential applications (sizes 110 and smaller only).
2. Be sure no obstructions block air intake and discharge of unit heaters.
3. The minimum distance from combustible material is based on the combustible material surface not exceeding 160°F. Clearance from the top of the unit may be required to be greater than the minimum specified if heat damage, other than fire, may occur to materials above the unit heater at the temperature described.
4. Allow 18" clearance at rear (or 12" beyond end of motor at rear of unit, whichever is greater) and access side to provide ample air for proper operation of fan.

1. Be sure the means of suspension is adequate to support the weight of the unit (see pages 26 and 27 for unit weights).
2. For proper operation, the unit must be installed in a level horizontal position from front to back and side to side.
3. Clearances to combustibles as specified in Table 4.1 must be strictly maintained.
4. All standard units are shipped fully boxed. Larger units are also supplied with skid supports on the bottom of the box. The larger units may be lifted from the bottom by means of a fork lift or other lifting device only if the shipping support skids are left in place and the forks support the whole depth of the unit. If the unit must be lifted from the bottom for final installation without the carton in place, be sure to properly support the unit over its entire length and width to prevent damage. When lifting units, make sure the load is balanced.
5. Propeller models have four mounting holes and blower models have six mounting holes. The units can be mounted with 3/8"-16 threaded rod as follows:
 - On each piece of threaded rod used, screw a nut a distance of about 1" onto the end of the threaded rods that will be screwed into the unit heater.
 - Place a washer over the end of the threaded rod and screw the threaded rod into the unit heater weld nuts on the top of the heater at least 5 turns, and no more than 10 turns. Tighten the nut first installed onto the threaded rod to prevent the rod from turning.
 - Drill holes into a steel channel or angle iron at the same center-line dimensions as the heater that is being installed. The steel channels or angle iron pieces need to span and be fastened to appropriate structural members.
 - Cut the threaded rods to the preferred length, place them through the holes in the steel channel or angle iron and secure with washers and lock nuts or lock washers and nuts. A double nut arrangement can be used here instead of at the unit heater (a double nut can be used both places but is not required).
 - Do not install standard unit heaters above the maximum mounting height shown in Tables 24.1 or 24.2.

Alternate Suspension Methods

A pipe hanger adaptor kit, shown in Figure 5.1, is available as an accessory. One kit consists of two drilled 3/4" IPS pipe caps and two 3/8"-16 x 1-1/2" capscrews to facilitate threaded pipe suspension. Two kits would be required for PTC units and 3 kits for BTC units.

Figure 5.1 - Unit Heater Suspension Methods



Also available is a 2-point mounting kit for installations where the ceiling structure only allows for 2 mounting points. Refer to the latest revision of literature #6-574 for instructions.

INSTALLATION - VENTING

⚠ WARNING

1. Gas fired heating equipment must be vented - do not operate unvented.
2. A built-in power exhauster is provided - additional external power exhausters are not required or permitted.
3. Unit must not be common vented with other appliances.
4. If an existing heater is being replaced, the vent system must meet the requirements specified in this manual. Improperly sized or constructed venting systems can result in vent gas leakage or the formation of condensate. Failure to follow these instructions can result in injury or death.
5. In locations where the outside air temperature falls below freezing, icicles may form on horizontal vent terminations from the condensate formed in the vent system. Locate the vent termination where a falling icicle will not be a hazard.
6. Do not install PVC pipe near high temperature sources of heat exceeding 140°F that could damage the pipe and cause hazardous leaks of products of combustion or water into the space.

⚠ CAUTION

Installation must conform with local building codes or in the absence of local codes, with the National Fuel Gas Code, ANSI Z223.1 (NFPA 54) - latest edition. In Canada installation must be in accordance with CSA B149.1.

Model PTC and BTC unit heaters must be vented with the proper passageway as described in these instructions to convey flue gases from the unit or the vent connector to the outside atmosphere. The heaters must also have a separate combustion air intake pipe to bring in fresh air for combustion from the outside atmosphere.

The venting instructions are organized in sections, based on installation type. The sections are identified as follows:

Instructions Section	Applicable Installation Instructions by Vent System Type
A	General Instructions for ALL installations
B	VERTICAL vent systems ①
C	HORIZONTAL vent systems ①
D	Additional requirements for HORIZONTAL AND VERTICAL CONCENTRIC vent systems ②

① The differences between vertical and horizontal vent systems in 2-Pipe or concentric vent configurations will be identified in "Section A - General Instructions - All Units".

② For 2-Pipe installations, only sections B or C are required. For a concentric vent installation, section B or C must be followed, along with additional instructions shown in section D.

Section A - General Instructions - All Units

A1. If the unit heater being installed is replacing existing equipment and using the existing vent system from that equipment, inspect the venting system for proper materials, size and horizontal pitch, as required in these instructions. Determine that there is no blockage or restriction, leakage, corrosion and other deficiencies, which could cause an unsafe condition.

- A2. Model PTC/BTC units feature high thermal efficiency and are certified as Category IV vented appliances. The units will produce condensate during operation. Both the heater and the vent system must be connected to a condensate removal drain, which is detailed in this manual.
- A3. Vent pipe must be Schedule 40 PVC pipe. In Canada, all PVC vent pipe must be approved to ULC S636. The combustion air inlet pipe must be Schedule 40 PVC for model sizes 260 and smaller. For model size 310, the combustion air inlet pipe must be sealed, single wall galvanized steel or other suitable corrosion resistant material.
- A4. All heaters come with factory installed vent and combustion air adapters for attaching the vent and combustion air inlet piping to the heater (refer to Table 6.1 for applicable connector sizes).

Table 6.1 - Combustion Air & Vent Pipe Connection

Model Size	Combustion Air Inlet		Flue Exhaust Outlet	
	Diameter	Material	Diameter	Material
55-135 ①	3"	PVC/Poly	3"	PVC/Poly
156-260	4"	PVC/Poly	4"	PVC/Poly
310	6"	Steel/Poly	4"	PVC/Poly

① Size 110 and smaller maximum vent length is 25'.

- A5. Attach the vent pipe to the unit heater vent connection adapter by sliding the pipe into the rubber exhaust pipe coupling located on the back of the unit. Tighten the pipe clamp to secure the vent pipe to the unit. Vent pipe must not be smaller than the connector size.
- A6. Attach the combustion air inlet pipe to the unit heater inlet air connection adapter with 3 corrosion resistant screws. (Drill pilot holes through the pipe and adapter prior to screwing in place). Pipe must not be smaller than the connector size.
- A7. Limit the total equivalent vent pipe length to a minimum of 5' and a maximum of 50' (25' for sizes 110 and smaller), making the vent system as straight as possible. The equivalent length of a 3" or 4" 90° elbow is 6' and for a 6" 90° elbow is 7'. Two 45° elbows are equivalent to one 90° elbow. The combustion air inlet pipe length should be approximately the same as the vent pipe.
- A8. A minimum of 12" straight pipe is recommended from the flue outlet before turns in the vent pipe.
- A9. The vent and combustion air piping must be properly supported with special consideration to the weight of the piping system. The approximate weight per 10' sections of Schedule 40 PVC is 14 lbs. for 3" diameter, 20 lbs. for 4" diameter, and 35 lbs. for 6" diameter. Do not use the heater or concentric adapter box to provide support.
- A10. Horizontal sections of vent pipe are to be installed with a minimum upward pitch from the appliance of 1/4" per foot and suspended securely from overhead structures at points not greater than 3' apart. Cradle type hangers should be used to allow for expansion and contraction.
- A11. To ensure the piping is leak free after installation, the Schedule 40 PVC vent system, and combustion air inlet piping on applicable model sizes, must be solvent welded (glued) in a manner consistent with normal industry standards and in compliance with all local fire and building code requirements. Primer for joints should conform to ASTM F 656. Cement for joints should conform to ASTM D 2564. For single wall metal combustion air inlet piping (model size 310 only), see note A12 for proper joint sealing.

INSTALLATION - VENTING

- A12. For single wall galvanized combustion air inlet piping (model size 310 only), seal joints and seams with silicone sealant or 2 turns of metallic tape. Fasten individual lengths of vent together with at least 3 corrosion resistant sheet metal screws.
- A13. Do not install PVC pipe near high temperature sources of heat exceeding 140°F that could damage the pipe and cause hazardous leaks of products of combustion or water into the space.
- A14. Avoid venting through unheated space when possible.
- A15. When the vent passes through a combustible wall or roof, no special clearance to combustible precautions are required to the materials through which the vent passes. Because of the low flue gas temperature, the vent is certified as zero clearance.
- A16. Minimum vent termination clearances must be maintained per Table 7.1:

Table 7.1 - Minimum Vent Termination Clearances

Structure	Minimum Clearances for Vent Terminal Location
Forced air inlet within 10 feet	3 feet above
Combustion air inlet of another appliance	6 feet all directions
Door, window, gravity air inlet, or any building opening	4 feet horizontal and below 1 foot above
Electric meter, gas meter, and relief equipment ①	4 feet horizontal (U.S.) 6 feet horizontal (Canada)
Gas regulator ①	3 feet horizontal (U.S.) 6 feet horizontal (Canada)
Adjacent public walkways	7 feet all directions
Grade (ground level)	3 feet above ②

① Do not terminate the vent directly above a gas meter or regulator.
 ② The vent must be at least 12" higher than anticipated snow depth.

- A17. Do NOT vent this appliance into a masonry chimney.
- A18. Do NOT use dampers or other devices in the vent or combustion air pipes.
- A19. The venting system must be exclusive to a single appliance, and no other appliance is allowed to be vented into it.
- A20. Precautions must be taken to prevent degradation of building materials by flue products.
- A21. To improve the ability to inspect and maintain the vent system, it is recommended that the vent pipe not pass through any unoccupied attic, inside wall, concealed space, or floor.
- A22. Long runs of horizontal or vertical combustion air pipes may require insulation in very cold climates to prevent the buildup of condensation on the outside of the pipe where the pipe passes through conditioned spaces.
- A23. Vertical combustion air pipes should be fitted with a tee with a drip leg and a clean out cap to prevent against the possibility of any moisture in the combustion air pipe from entering the unit. The drip leg should be inspected and cleaned out periodically during the heating season.
- A24. In addition to following these General Instructions, specific instructions for Vertical and Horizontal vent systems in 2-Pipe or Concentric Vent configurations must also be followed. The following outlines the differences:

Vertical Vent System Determination

- Vertical vent systems terminate vertically (up) (an example is shown in Figure 9.1).
- Determine the venting configuration as follows:
 - > For 2 building penetrations through the roof (1 for the combustion air inlet pipe and 1 for the vent pipe), proceed to "Section B - Vertical Venting".
 - > For a single larger building penetration through the roof, through which both the combustion air inlet and vent pipes will pass, proceed to "Section B - Vertical Venting". Follow those instructions which cover the common requirements for both 2-Pipe and Concentric Vent installations. That section will direct you to "Section D - Horizontal and Vertical Concentric Venting" at the appropriate step of the installation.
 - > For all other cases, proceed to the next section for Horizontal Vent System Determination.

Horizontal Vent System Determination

- Horizontal vent systems terminate horizontally (sideways) (an example is shown in Figure 11.1).
- Determine the venting configuration as follows:
 - > For 2 building penetrations through the wall (1 for the combustion air inlet pipe and 1 for the vent pipe), proceed to "Section C - Horizontal Venting".
 - > For a single larger building penetration through the wall, through which both the combustion air inlet and vent pipes will pass, proceed to "Section C - Horizontal Venting". Follow those instructions which cover the common requirements for both 2-Pipe and Concentric Vent installations. That section will direct you to "Section D - Horizontal and Vertical Concentric Venting" at the appropriate step of the installation.

Polypropylene Vent Systems

- Approved Category IV PolyPro venting systems with a maximum flue gas temperature of 230°F:
 - > DuraVent and Z-Dens
- Approved venting application per brand:
 - > DuraVent and Z-Dens are allowed to be vented in a two pipe configuration for both Horizontal and Vertical orientations. Limit the total equivalent vent pipe length to a minimum of 5' and a maximum of 50' (25' for sizes 110 and smaller), making the vent system as straight as possible. Venting termination and condensate connections must follow Modine's instructions (pages 8-13). For all other venting information, please follow manufacturer's installation instructions.
 - > Only Duravent products are approved for concentric venting (Horizontal and Vertical). Limit the total equivalent vent pipe length to a minimum of 5' and a maximum of 30' for either orientation. Venting termination and condensate connections must follow Modine's instructions (pages 8-13). For all other venting information, please follow manufacturer's installation instructions.

INSTALLATION - VENTING

Section B - Vertical Vent System Installation

B1. This section applies to vertically vented 2-pipe (1 combustion air inlet pipe and 1 vent pipe) and concentric (single roof penetration) vent systems and is in addition to "Section A - General Instructions - All Units".

B2. Vertical vent systems terminate vertically (up).

B3. It is required to install a tee with drip leg and clean out cap as shown in Figure 8.1. Please note the following requirements:

- Only the vent system drip leg and condensate removal drain connections are shown. Vent and combustion air piping must be terminated per the instructions in this manual, for either 2-pipe or vertical concentric vent arrangements. All venting and drain components, except condensate traps, are by others.
- The standard vent drip leg and drain shown for U.S. ONLY installations utilizes a standard, non-sweep tee, sized to match the vent diameter for the model size (see Table 6.1). The tee captures and directs the condensate to a cap that is drilled and fitted with a 3/4" fitting for connection to the condensate drain. For installation in Canada, see Note B3c.
- The vent drip leg for Canadian installations must be approved to ULC S636. This requires the use of a series of reducers from the outlet of the tee to the drain connection. Drilling or otherwise modifying the shape or structure of any vent components is not allowed per ULC S636. Note that the 3/4" condensate drain piping and condensate traps are not subject to the ULC S636 requirements that apply to the vent system. This method is also acceptable in US installations.

d. Connection of a combustion air inlet pipe is required to be connected from the building exterior (not shown in Figure 8.1).

e. Condensate drains are required for both the unit heater and the vent system. Properly sized traps are included with the unit. Proper drain design and installation is critical to ensure that the unit and vent systems are properly drained. Refer to the section titled "Condensate Drain and Trap Installation" on page 13 for detailed instructions.

B4. If a concentric vent system is to pass through one common hole in the roof, please proceed at this point to "Section D - Horizontal and Vertical Concentric Venting" for instructions. Otherwise, proceed to note B5 for instructions on terminating a 2-pipe installation.

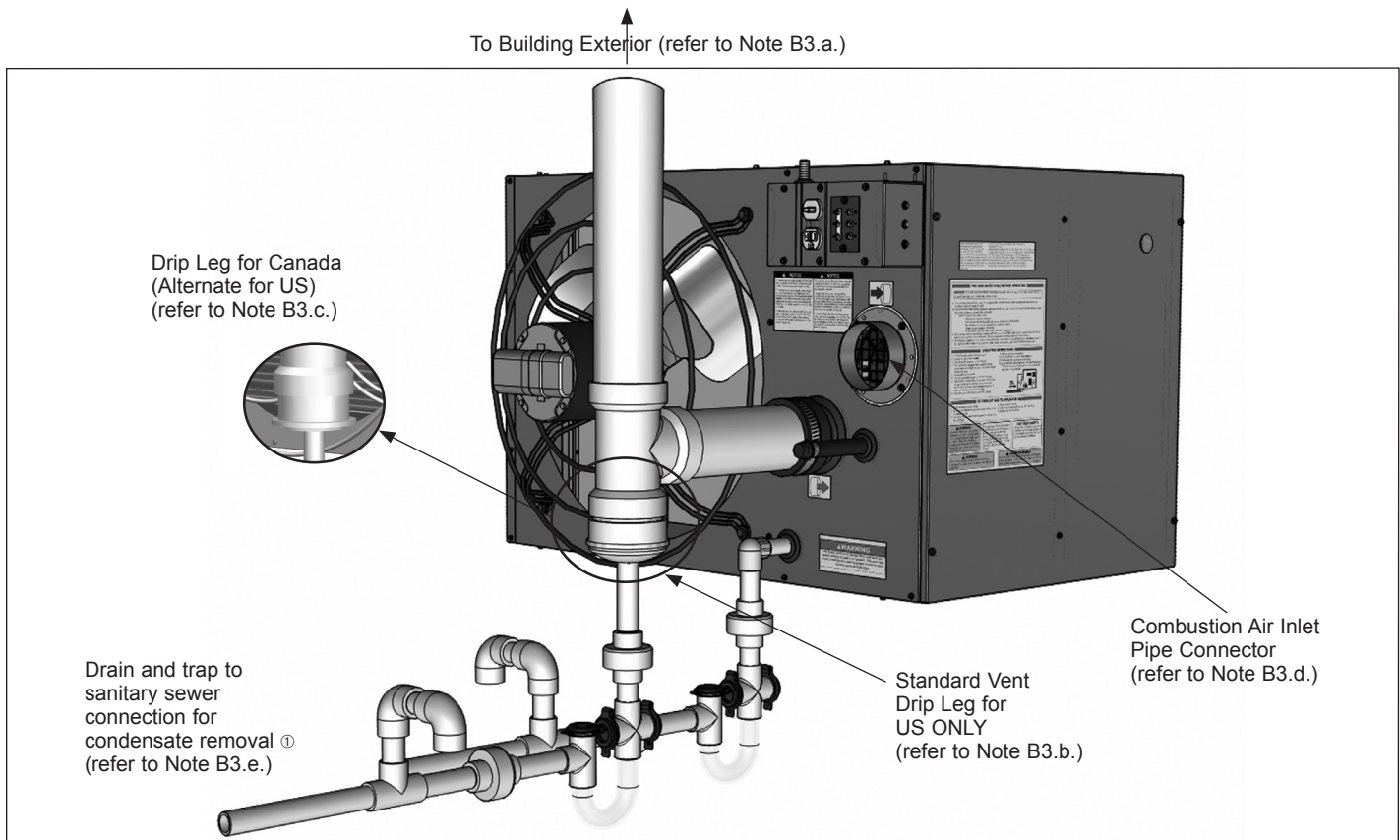
B5. For 2-pipe vertical configurations, refer to the following instructions and Figure 9.1 with minimum distances as shown.

B6. The combustion air inlet and vent pipes must each be terminated with two 90° elbows with screened openings (four elbows total). The screens are available from Modine as part of a kit. For model sizes 260 and smaller, the 4 elbows are to be PVC. For model size 310, the vent pipe is to be terminated with 2 PVC elbows and the combustion air inlet pipe is to be terminated with 2 galvanized or other approved corrosion resistant metal elbows.

B7. The combustion air inlet and vent pipe terminations must be positioned in opposite directions.

B8. Once venting is complete, proceed to the section titled "Condensate Drain and Trap Installation" on page 13.

Figure 8.1 - Vertical Venting System Drip Leg and Condensate Drain Connections



① Proper drain design and installation is critical to ensure that the unit and vent systems are properly drained.

INSTALLATION - VENTING

Figure 9.1 - Vertical 2-Pipe Vent System for Flat Roofs

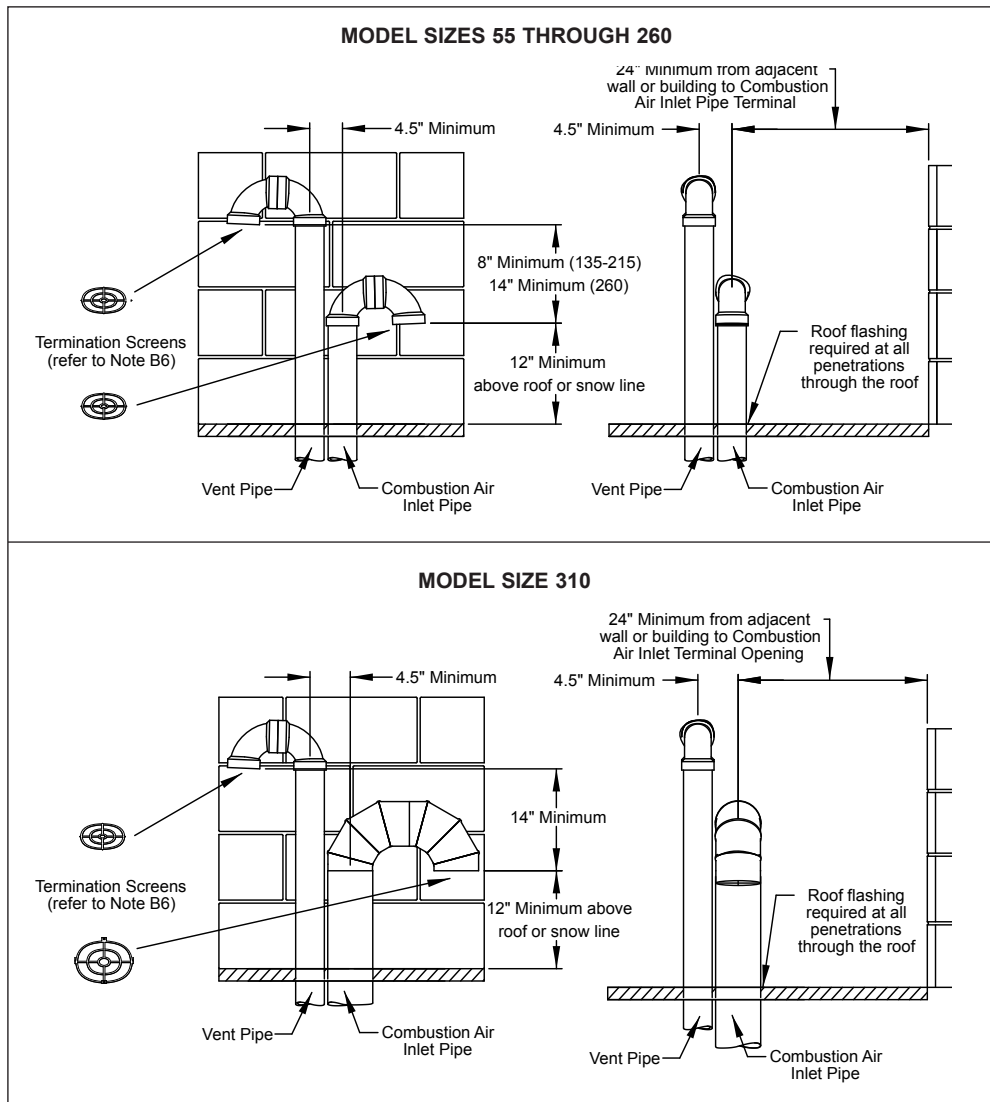


Figure 9.2 - Vertical 2-Pipe Vent System for Sloped Roofs

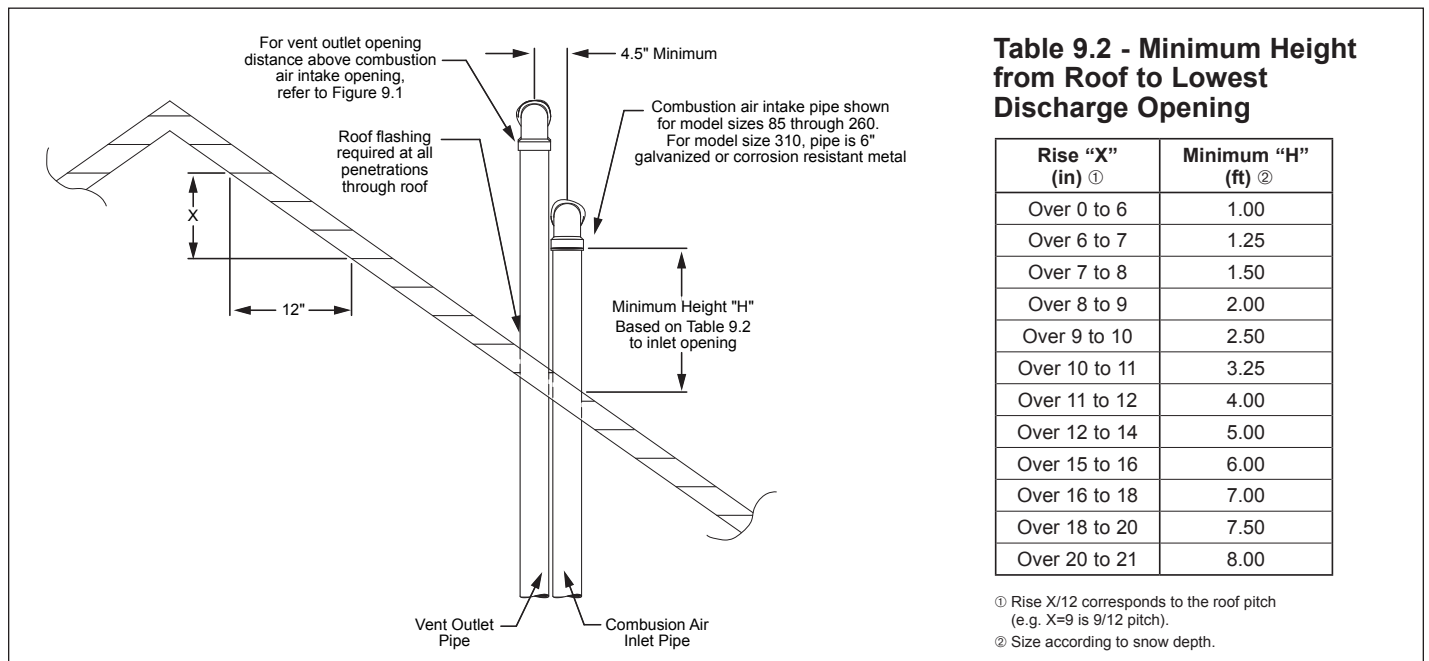


Table 9.2 - Minimum Height from Roof to Lowest Discharge Opening

Rise "X" (in) ①	Minimum "H" (ft) ②
Over 0 to 6	1.00
Over 6 to 7	1.25
Over 7 to 8	1.50
Over 8 to 9	2.00
Over 9 to 10	2.50
Over 10 to 11	3.25
Over 11 to 12	4.00
Over 12 to 14	5.00
Over 15 to 16	6.00
Over 16 to 18	7.00
Over 18 to 20	7.50
Over 20 to 21	8.00

① Rise X/12 corresponds to the roof pitch (e.g. X=9 is 9/12 pitch).

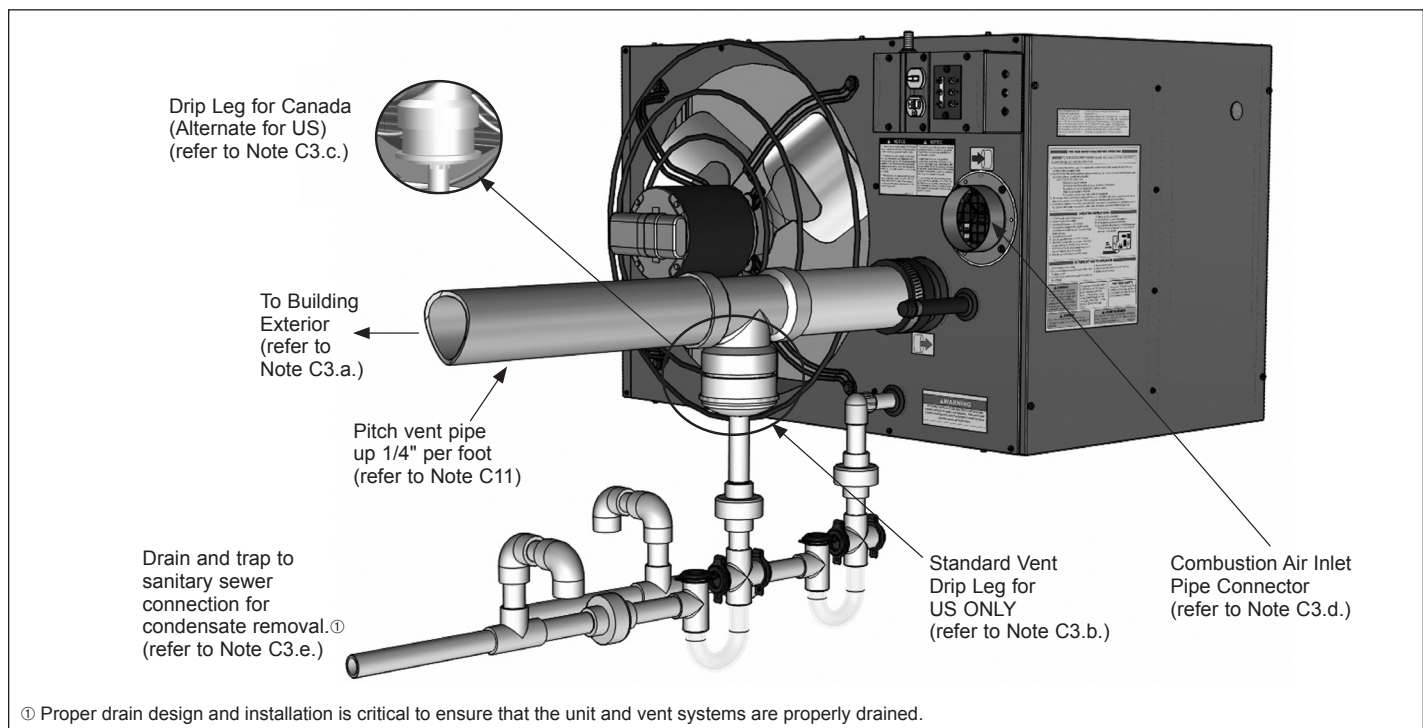
② Size according to snow depth.

INSTALLATION - VENTING

Section C - Horizontal Vent System Installation

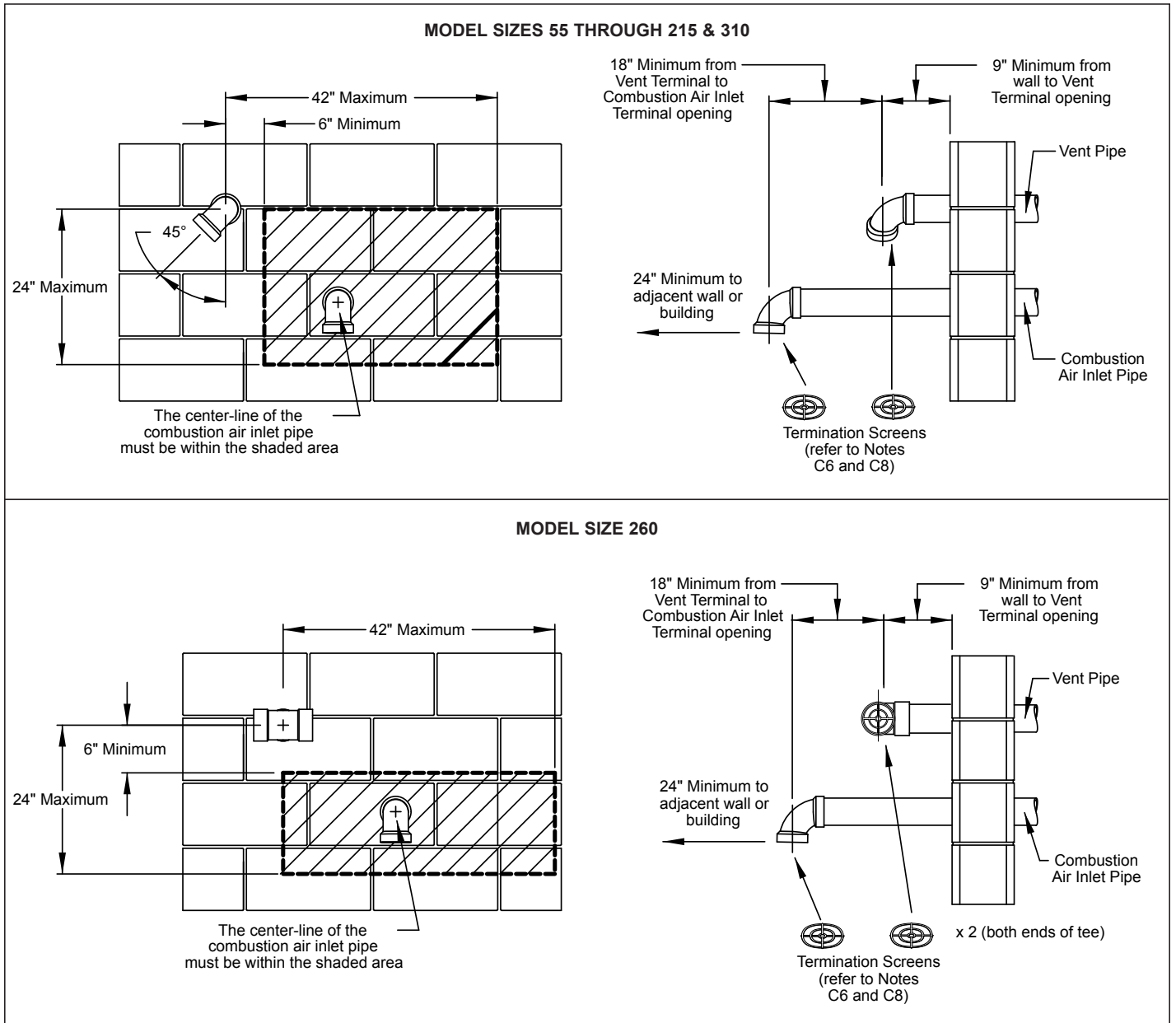
- C1. This section applies to horizontally vented 2-pipe vent systems (1 combustion air inlet pipe and 1 vent pipe) and concentric (single wall penetration) and is in addition to "Section A - General Instructions - All Units".
- C2. Horizontal vent systems terminate horizontally (sideways).
- C3. It is required to install a tee with drip leg and clean out cap as shown in Figure 10.1. Please note the following requirements:
- a. Only the vent system drip leg and condensate removal drain connections are shown. Vent and combustion air piping must be terminated per the instructions in this manual, for either 2-pipe or horizontal concentric vent arrangements. All venting and drain components, except condensate traps, are by others.
 - b. The standard vent drip leg and drain shown for US ONLY installations utilizes a tee, sized to match the vent diameter for the model size (see Table 6.1). The tee captures and directs the condensate to a cap that is drilled and fitted with a 3/4" fitting for connection to the condensate drain. For installation in Canada, see Note C3c.
 - c. The vent drip leg for Canadian installations must be approved to ULC S636. This requires the use of a series of reducers from the outlet of the tee to the drain connection. Drilling or otherwise modifying the shape or structure of any vent components is not allowed per ULC S636. Note that the 3/4" condensate drain piping and condensate traps are not subject to the ULC S636 requirements that apply to the vent system. This method is also acceptable in US installations.
 - d. Connection of a combustion air inlet pipe is required to be connected from the building exterior (not shown in Figure 10.1)
 - e. A condensate drain each is required from the unit heater and the vent system. Properly sized traps are included with the unit. Proper drain design and installation is critical to ensure that the unit and vent systems are properly drained. Refer to the section titled "Condensate Drain and Trap Installation" on page 13 for detailed instructions.
- C4. If a concentric vent system is to pass through one common hole in the wall, please proceed at this point to "Section D - Horizontal and Vertical Concentric Venting" for instructions. Otherwise, proceed to note C5 for instructions on terminating a 2-pipe installation.
- C5. For 2-pipe horizontal configurations, refer to the following instructions and Figure 11.1 with minimum distances as shown.
- C6. The vent pipe for all sizes except 260 must be terminated with a PVC 90° elbow with screened opening. The vent pipe for model size 260 must be terminated with a PVC tee with screened openings. These screens are available from Modine as part of a kit.
- C7. For all sizes except 260, the elbow is to be installed on the vent pipe outlet so that the elbow is at a 45° angle with the opening facing away from the combustion air inlet pipe. For model size 260 units, the tee is to be installed horizontally so that the openings of the tee face right and left.
- C8. The combustion air inlet pipe termination is to be a 90° elbow with screened opening. These screens are available from Modine as part of a kit. For model sizes 260 and smaller, the elbow is to be PVC. For model size 310, the elbow is to be galvanized or other approved corrosion resistant metal elbow.
- C9. The elbow is to be installed on the combustion air inlet pipe with the opening of the elbow facing down.
- C10. When condensation may be a problem, the vent system shall not terminate over public walkways or over an area where condensate or vapor could create a nuisance or hazard or could be detrimental to the operation of regulators, relief openings, or other equipment.
- C11. Maintain a 1/4" per foot upward slope away from the heater and place a drip leg with clean out near the vent connector on the heater as shown in Figure 10.1.
- C12. For a vent termination located under an eave, the distance of the overhang must not exceed 24". The clearance to combustibles above the exterior vent must be maintained at a minimum of 12". Consult the National Fuel Gas Code for additional requirements for eaves that have ventilation openings.
- C13. Once venting is complete, proceed section titled "Condensate Drain and Trap Installation" on page 13.

Figure 10.1 - Horizontal Venting System Drip Leg and Condensate Drain Connections



INSTALLATION - VENTING

Figure 11.1 - Horizontal 2-Pipe Vent System



INSTALLATION - VENTING

Section D - Concentric Vent System Installation

D1. This section applies to both horizontally and vertically vented concentric vent systems as defined in "Section A - General Instructions - All Units". The required instructions that must be followed are as follows:

For Vertical Concentric Vented Units:

- Section A - General Instructions - All Units
- Section B - Vertical Vent System Installation, steps B1-B4
- Applicable instructions in this section

For Horizontal Concentric Vented Units:

- Section A - General Instructions - All Units
- Section C - Horizontal Vent System Installation, steps C1-C4
- Applicable instructions in this section

D2. When utilizing the concentric vent option, it should have been predetermined whether the appliance will be horizontally or vertically vented. Before proceeding, verify that the concentric vent kit received contains the correct components for the installation:

For Vertically Vented Units (Refer to Figure 12.1):

- ① Concentric Adapter Assembly
- ② Vent Pipe Terminal Screens
- ③ Combustion Air Inlet Pipe Terminal

Figure 12.1 - Vertical Concentric Vent Kit

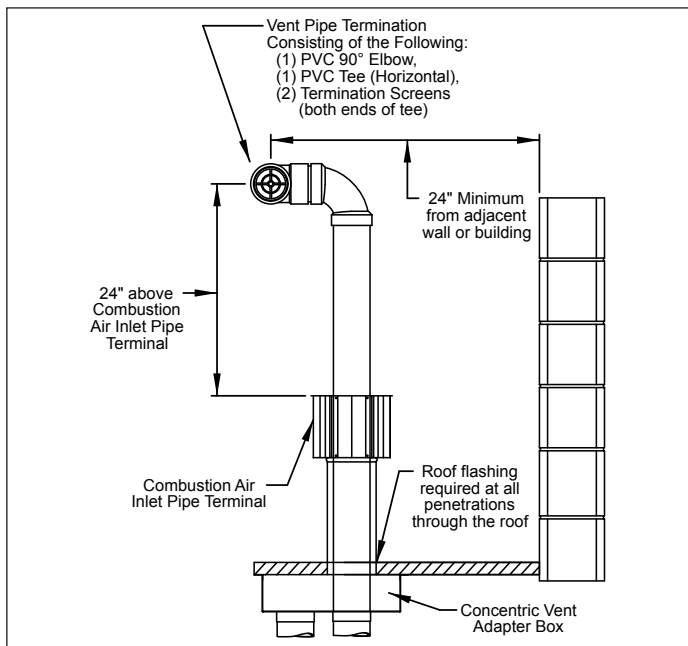
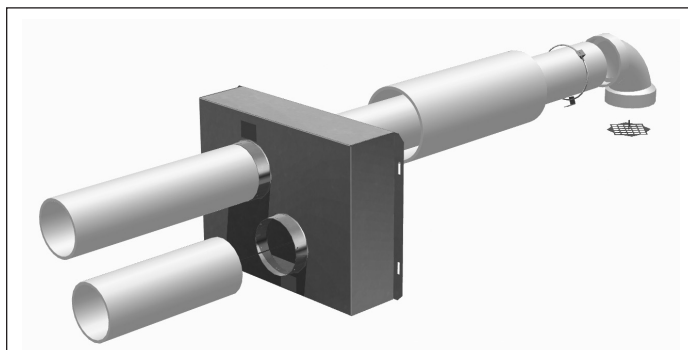


Figure 12.2 - Adapter Box Exploded Assembly



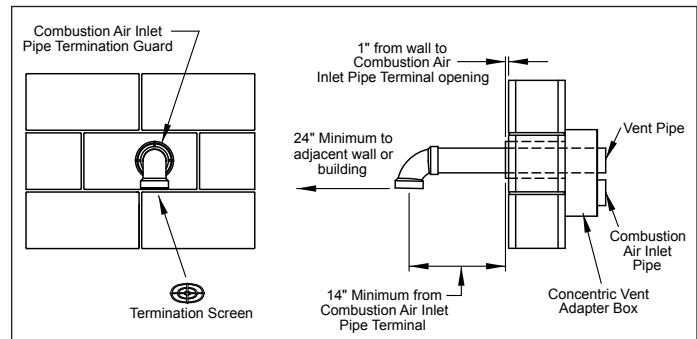
⚠ CAUTION

The concentric vent adapter box must be installed inside of the structure or building. Do not install this box on the exterior of a building or structure.

For Horizontally Vented Units (Refer to Figure 12.3):

- ① Concentric Adapter Assembly
- ② Vent Pipe Terminal Screen
- ③ Special Inlet Air Guard

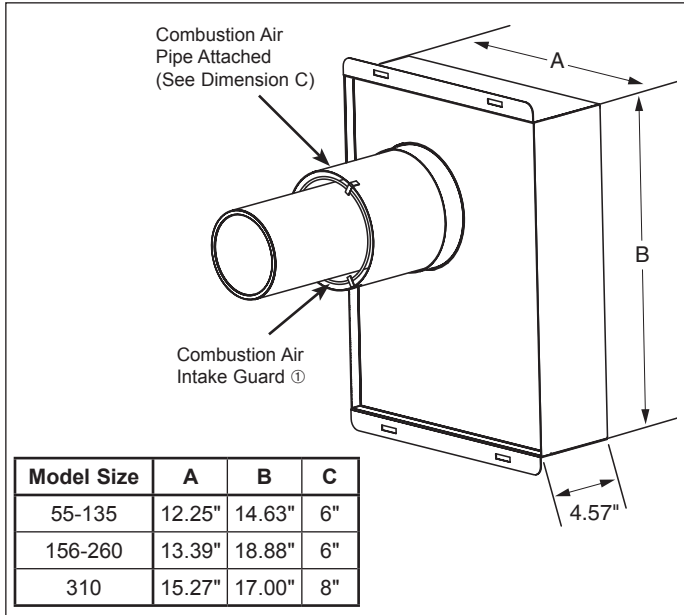
Figure 12.3 - Horizontal Concentric Vent Kit



- D3. Once the kit contents have been verified as correct for the direction of venting, the concentric vent adapter box is to be installed. Determine the location of the box. Be sure to maintain all dimensions as listed in these instructions.
- D4. The adapter box is to be mounted on the interior side of the building. It must not be mounted outside the building.
- D5. The adapter box can be mounted flush to the wall (for horizontal kits) or to the ceiling (for vertical kits). When mounting the box, consider serviceability and access to the vent and combustion air pipes.
- D6. Determine the length of the combustion air inlet pipe that must be attached to the combustion air inlet (on the concentric side) of the adapter box to extend through the building wall or roof. Be sure to add the length of the thickness of the wall or roof. Refer to Figures 12.1 or 12.2 to determine the required minimum distance to the termination from the roof or wall.
- D7. Cut the concentric side combustion air pipe to the proper length as determined in the previous step. Refer to Table 6.1 for pipe diameters and material.
- D8. Attach the concentric side combustion air pipe to the air inlet of the concentric adapter box, as shown in Figure 13.1, using at least 3 corrosion-resistant sheet metal screws. Seal the joint using caulk.
- D9. Place this assembly (the adapter box and combustion air pipe) through the wall or roof and verify that the distance requirements as defined in Step D6 are met. Securely attach the assembly to the building using the brackets on the adapter box.
- D10. From outside the building, caulk the gap between the combustion air intake pipe and the building penetration.

INSTALLATION - VENTING & CONDENSATE DRAIN

Figure 13.1 - Adapter Box with Combustion Air Intake Pipe Attached



① For reference only for horizontal concentric vent arrangements.

D11. Install the vent pipe by extending the vent pipe all the way through the concentric vent adapter assembly. Seal the adapter around the pipe using caulk.

D12. Attach the combustion air intake and vent pipe terminations as follows:

For Vertical Concentric Vent Kits (refer to Figure 12.1):

- Slide the combustion air cap down over the vent pipe and fasten it to the combustion air pipe with at least 3 corrosion-resistant sheet metal screws.
- Terminate the vent pipe with a elbow/tee combination with guards.
- Caulk the gap between the combustion air cap and the vent pipe with silicone sealant or other appropriate caulk.

For Horizontal Concentric Vent Kits (refer to Figure 12.3):

- Attach the combustion air intake guard using corrosion resistant screws at the end of the combustion air intake pipe to prevent animals and debris from entering (see Figure 13.1).
- Solvent weld (glue) the vent termination (elbow or tee) to the vent pipe.
- Install the vent screen(s) in the elbow or tee.

D13. Install the vent and combustion air pipe between unit heater and concentric vent adapter box as outlined in "Section A – General Instructions – All Units".

D14. Once venting is complete, proceed to the following section titled "Condensate Drain and Trap Installation".

Condensate Drain and Trap Installation

During operation, condensate is both produced in the heater and the venting system. The installation requires condensate drain systems from the secondary heat exchanger and from the vent pipe. A condensate trap kit is provided with the unit and consists of 2 specially designed traps and 1 PVC elbow for the unit condensate drain connection.

1. For proper heater and vent system performance, the condensate drain system must include a trap for each as shown in Figure 8.1 and Figure 10.1. All joints must be watertight to prevent leakage of condensate.

2. Local code permitting, the condensate drain systems may be joined after the traps and connected to a sanitary drain within the building. Because the condensate produced is acidic, some municipalities may require that the condensate be neutralized before being discharged into the sanitary sewer. A condensate neutralizer tube kit is available from Modine to reduce the pH of the condensate. A separate neutralizer tube is required for both the vent drain and the heater drain, but a single tube can be used for drains that are joined after the traps providing the tube is installed after the junction. Refer to the instructions that come with the kit.
3. Unions are recommended to permit maintenance of the drains and to facilitate service of the heater. A union is shown on both sides of each trap.
4. Connect the threaded side of the PVC elbow supplied to the secondary heat exchanger condensate drain with the socket connection oriented as shown in Figures 8.1 and 10.1.
5. A vacuum breaker is required after each trap as shown in Figures 8.1 and 10.1. The vacuum breaker should be constructed so that dirt and debris do not enter and clog the drain system.
6. For safe operation, the traps should be primed with water. The traps must be installed with the higher side connected to the heater and the lower side connected to the drain.
7. If there is an opportunity that the temperature in the space will fall below freezing during non-operating periods, the condensate drain systems and secondary heat exchanger must be completely drained to prevent freeze damage. Alternately, heat tape can be applied to the drain pipe system in accordance with the heat tape manufacturers instructions.
8. Once the condensate drain lines are complete, proceed to the following section, "Installation - Gas Connections".

Figure 13.2 - Drain Trap

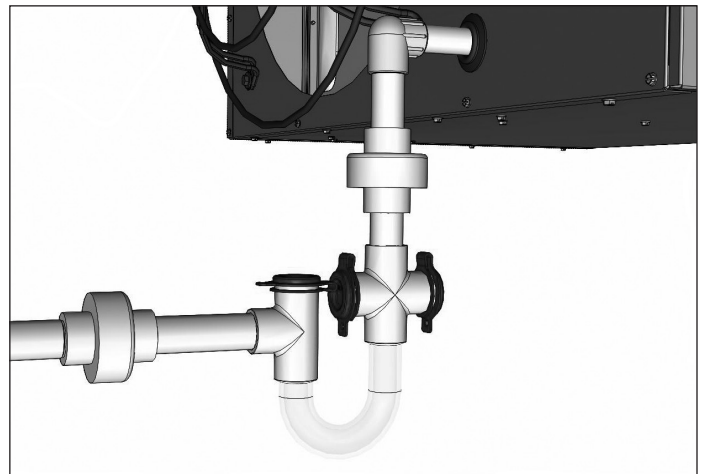
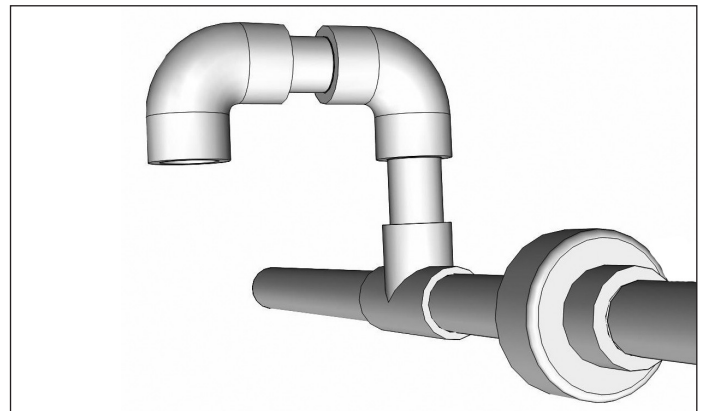


Figure 13.3 - Vacuum Breaker Example



INSTALLATION - GAS CONNECTIONS

GAS CONNECTIONS

⚠ WARNING

1. Installation must conform with local building codes or in the absence of local codes, with the National Fuel Gas Code, ANSI Z223.1 (NFPA 54) - latest edition. In Canada installation must be in accordance with CSA B149.1.
2. All field gas piping must be pressure/leak tested prior to operation. Never use an open flame. Use a soap solution or equivalent for testing.
3. Gas pressure to appliance controls must never exceed 14" W.C. (1/2 psi).
4. To reduce the opportunity for condensation, the minimum sea level input to the appliance, as indicated on the serial plate, must not be less than 5% below the rated input, or 5% below the minimum rated input of dual rated units.

⚠ CAUTION

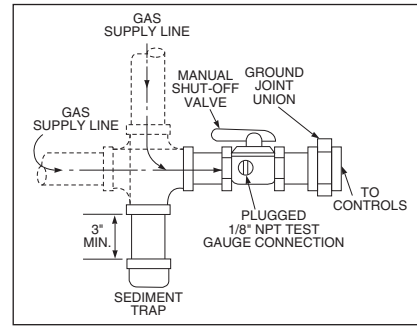
1. Purging of air from gas lines should be performed as described in the National Fuel Gas Code, ANSI Z223.1 (NFPA 54) - latest edition, or in Canada CSA-B149 codes.
2. When leak testing the gas supply piping system, the appliance and its combination gas control must be isolated during any pressure testing in excess of 14" W.C. (1/2 psi).
3. The unit should be isolated from the gas supply piping system by closing its field installed manual shut-off valve. This manual shut-off valve should be located within 6' of the heater.
4. Turn off all gas before installing appliance.

IMPORTANT

To prevent premature heat exchanger failure, the input to the appliance, as indicated on the serial plate, must not exceed the rated input by more than 5%.

1. Installation of piping must conform with local building codes, or in the absence of local codes, with the National Fuel Gas Code, ANSI Z223.1 (NFPA 54) - latest Edition. In Canada, installation must be in accordance with CSA-B149.1.
2. Piping to units should conform with local and national requirements for type and volume of gas handled, and pressure drop allowed in the line. Refer to Table 14.1 to determine the cubic feet per hour (CFH) for the type of gas and size of unit to be installed. Using this CFH value and the length of pipe necessary, determine the pipe diameter from Table 14.2. Where several units are served by the same main, the total capacity, CFH and length of main must be considered. Avoid pipe sizes smaller than 1/2". Table 14.2 allows for a 0.3" W.C. pressure drop in the supply pressure from the building main to the unit. The inlet pressure to the unit must be 6-7" W.C. for natural gas and 11-14" W.C. for propane gas. When sizing the inlet gas pipe diameter, make sure that the unit supply pressure can be met after the 0.3" W.C. has been subtracted. If the 0.3" W.C. pressure drop is too high, refer to the Gas Engineer's Handbook for other gas pipe capacities.
3. Install a ground joint union with brass seat and a manual shut-off valve adjacent to the unit for emergency shut-off and easy servicing of controls, including a 1/8" NPT plugged tapping accessible for test gauge connection (see Figure 14.1).
4. Use 2 wrenches when connecting field piping to units.
5. Provide a sediment trap before each unit in the line where low spots cannot be avoided. (see Figure 14.1).
6. When pressure/leak testing, pressures above 11" W.C. (1/2 psi), close the field installed shut-off valve, disconnect the appliance and its combination gas control from the gas supply line, and plug the supply line before testing. When testing pressures 14" W.C. (1/2 psi) or below, close the manual shut-off valve on the appliance before testing.

Figure 14.1 - Recommended Sediment Trap/Manual Shut-off Valve Installation - Side or Bottom Gas Connection ①



① Manual shut-off valve is in the "OFF" position when handle is perpendicular to pipe.

Table 14.1 - Sea Level Manifold Pressure & Gas Consumption

Model Size	Manifold Pressure ("W.C.):	Natural	Propane	# of Orifices
		3.5	10	
55	CFH	54.0	22.1	4
	Gal/Hr. Propane	n/a	0.61	
	Orifice Drill Size	50	1.10 mm	
65	CFH	65.6	26.3	5
	Gal/Hr. Propane	n/a	0.73	
	Orifice Drill Size	1.75 mm	57	
85	CFH	81.0	34.0	5
	Gal/Hr. Propane	n/a	0.9	
	Orifice Drill Size	47	1.25 mm	
110	CFH	105.0	44.0	5
	Gal/Hr. Propane	n/a	1.2	
	Orifice Drill Size	43	54	
135	CFH	128.6	54.0	6
	Gal/Hr. Propane	n/a	1.5	
	Orifice Drill Size	43	54	
156	CFH	147.6	62.0	6
	Gal/Hr. Propane	n/a	1.7	
	Orifice Drill Size	41	1.50 mm	
180	CFH	171.4	72.0	7
	Gal/Hr. Propane	n/a	2.0	
	Orifice Drill Size	41	53	
215	CFH	204.8	86.0	9
	Gal/Hr. Propane	n/a	2.4	
	Orifice Drill Size	42	54	
260	CFH	247.6	104.0	9
	Gal/Hr. Propane	n/a	2.9	
	Orifice Drill Size	38	52	
310	CFH	295.2	124.0	12
	Gal/Hr. Propane	n/a	3.4	
	Orifice Drill Size	41	53	

Table 14.2 - Gas Pipe Capacities - Natural Gas ① ②

Pipe Length (ft.)	Natural Gas					
	1/2"	3/4"	1"	1-1/4"	1-1/2"	2"
10	132	278	520	1050	1600	3050
20	92	190	350	730	1100	2100
30	73	152	285	590	890	1650
40	63	130	245	500	760	1450
50	56	115	215	440	670	1270
60	50	105	195	400	610	1150
70	46	96	180	370	560	1050
80	43	90	170	350	530	930
100	38	79	150	305	460	870
125	34	72	130	275	410	780
150	31	64	120	250	380	710

① Capacities in cubic feet per hour through Schedule 40 pipe with maximum 0.3" W.C. pressure drop with up to 14" W.C. gas pressure. Specific gravity is 0.60 for natural gas and 1.50 for propane gas.

② For pipe capacity with propane gas, divide natural gas capacity by 1.6. Example: What is the propane gas pipe capacity for 60 feet of 1-1/4" pipe? The natural gas capacity is 400 CFH. Divide by 1.6 to get 250 CFH for propane gas.

INSTALLATION - HIGH ALTITUDE ACCESSORY KIT

HIGH ALTITUDE ACCESSORY KIT

Modine's gas-fired equipment standard input ratings are certified by ETL. For elevations above 2,000', ANSI Z223.1 requires ratings be reduced 4 percent for each 1,000' above sea level. For units in Canada, CSA requires that ratings be reduced 10 percent at elevations above 2,000'. The high altitude adjustment instructions and pressure switch kits listed in this manual are for use with units that will be installed over 2,000'. These methods and kits comply with both ANSI Z223.1 and CSA requirements.

If a unit is to be installed at higher elevations AND converted from natural gas to propane gas operation, a propane conversion kit must be used in conjunction with the pressure adjustment methods and pressure switch kits listed herein. For the Selection and Installation Instructions for propane conversion kits, please see the latest revision of Modine Manual 75-515.

Selection of the Proper Pressure and Kit

To determine the proper manifold pressure at altitude and if required, the proper combustion air pressure switch kit, the full model number of the heater, the fuel to be used, and the altitude the unit will be installed at must be known. Refer to the unit serial plate or carton label to obtain the necessary information about the unit.

After obtaining this information, refer to the gas pressure and selection charts shown in Tables 15.1 through 15.3. The pressure charts are differentiated by elevation, fuel type, and country the product is being installed in. The selection charts are differentiated by product type, altitude and fuel type. **If converting from natural gas to propane gas and operation at high altitude, both a propane conversion kit and a pressure switch kit must be used (if applicable).** Selection charts include the proper kit suffix, when required.

Table 15.1 - Natural Gas Heating Values at Altitude ① ③ ④

Altitude (ft)	Gas Heating Values at Altitude (BTU/ft ³)	
	USA	Canada
0-2,000	1,050	1,050
2,001-3,000	929	945
3,001-4,000	892	
4,001-4,500	874	
4,501-5,000	856	856
5,001-6,000	822	822
6,001-7,000	789	789
7,001-8,000	757	757
8,001-9,000	727	727
9,001-10,000	698	698

- ① Values shown are for 3.5" W.C. manifold pressure, for other BTU content values (available from local utility) use Equation 16.1 to calculate manifold pressure.
- ② Values shown are for 10.0" W.C. manifold pressure, for other BTU content values (available from local utility) use Equation 16.1 to calculate manifold pressure.
- ③ When installed at altitudes above 2,000', a pressure switch may need to be changed. Refer to Table 15.3 to determine if a switch change is required.
- ④ Gas heating values are derated 4% per 1,000' of elevation in the USA and 10% between 2,000' and 4,500' elevation in Canada in accordance with ANSI Z223.1 and CSA-B149, respectively.

Table 15.3 - High Altitude Kits for PTC/BTC ①

Model Size	Details	U.S.A. and Canada				
		0-2,000 ft	2,001-4,500 ft	4,501-5,500 ft	5,501-6,500 ft	6,501-7,500 ft
55-310	Kit Suffix	Not Required	Label Only	Label Only	Label Only	Label Only
	Item Code					

- ① For Label Only kits, Modine part number 5H0807146005 is required to be filled out and attached to the unit by the installer. Please contact the local Modine representative at 1.866.828.4328 (HEAT).

Manifold Pressure Adjustment

The inlet pressure to the unit must be confirmed to be within acceptable limits (6-7" W.C. for natural gas and 11-14" W.C. for propane gas) before opening the shutoff valve or the combination gas valve may be damaged.

Heaters for use with **natural gas**. 3.5" W.C. manifold pressure at 7.0" W.C. inlet pressure.

Units for use with **propane gas**. 10.0" W.C. manifold pressure at 14.0" W.C. inlet pressure.

Installation above 2,000'. elevation requires adjustment of the manifold pressure as described.

Derated BTU Content Gas and Manifold Pressure Calculation

Some utility companies may derate the BTU content (heating value) of the gas provided at altitude to a value other than 1,050 BTU/ft³ for natural gas or 2,500 BTU/ft³ for propane gas to allow certain heating appliances to be used with no manifold pressure adjustments. For this reason it is necessary that the supplying utility be contacted for detailed information about the gas type and BTU content (heating value) before operating any heater. Tables 15.1 and 15.2 show the standard derated heating values (4% per 1,000' of elevation in the USA and 10% between 2,001' and 4,500' elevation in Canada) of natural and propane gases at various altitudes. If the utility is supplying gas with heating values as shown in Tables 15.1 and 15.2, the manifold pressure should be set to 3.5" W.C for natural gas and 10.0" W.C. for propane gas.

NOTE: Only the high fire gas pressure need be adjusted; low fire gas pressure should remain the same.

Table 15.2 - Propane Gas Heating Values at Altitude ② ③ ④

Altitude (ft)	Gas Heating Values at Altitude (BTU/ft ³)	
	USA	Canada
0-2,000	2,500	2,500
2,001-3,000	2,212	2,250
3,001-4,000	2,123	
4,001-4,500	2,080	
4,501-5,000	2,038	2,038
5,001-6,000	1,957	1,957
6,001-7,000	1,879	1,879
7,001-8,000	1,803	1,803
8,001-9,000	1,731	1,731
9,001-10,000	1,662	1,662

INSTALLATION - HIGH ALTITUDE ACCESSORY KIT

If the heating value of the gas being supplied is different than the values shown in Tables 15.1 and 15.2, use the following equation to determine the appropriate manifold pressure for the altitude and gas heating value being supplied.

Equation 16.1 - Manifold Pressure for Derated Gas

$$MP_{ACT} = \left(\frac{BTU_{TBL}}{BTU_{ACT}} \right)^2 \times MP_{SL}$$

WHERE:

- MP_{ACT}** = **Manifold Pressure (in. W.C.) at Altitude** –
Manifold pressure setting for the heater being installed
- BTU_{TBL}** = **BTU/ft³ Content of Gas** –
Obtained from Tables 15.1 or 15.2 (whichever is applicable)
- BTU_{ACT}** = **BTU/ft³ Content of Gas** –
Obtained from the local utility company
- MP_{SL}** = **Manifold Pressure (in. W.C.), at Sea Level** –
Use 3.5" W.C. for natural gas and 10.0" W.C. for propane gas

NOTE: Only the primary manifold pressure should be adjusted on units equipped with two-stage or modulating gas controls. No adjustments to the low fire manifold pressure are necessary on these units.

INSTALLATION - ELECTRICAL CONNECTIONS

ELECTRICAL CONNECTIONS

⚠ WARNING

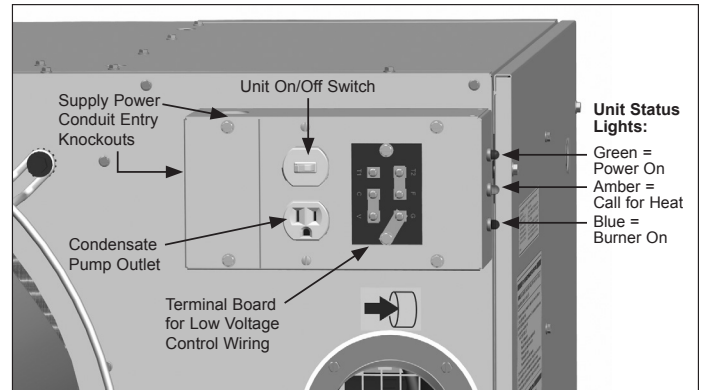
1. Disconnect power supply before making wiring connections to prevent electrical shock and equipment damage.
2. All appliances must be wired strictly in accordance with wiring diagram furnished with the appliance. Any wiring different from the wiring diagram could result in a hazard to persons and property.
3. Any original factory wiring that requires replacement must be replaced with wiring material having a temperature rating of at least 105°C.
4. Ensure that the supply voltage to the appliance, as indicated on the serial plate, is not 5% greater than or 5% less than the rated voltage.

1. Installation of wiring must conform with local building codes, or in the absence of local codes, with the National Electric Code ANSI/NFPA 70 - Latest Edition. Unit must be electrically grounded in conformance to this code. In Canada, wiring must comply with CSA C22.1, Part 1, Electrical Code.
2. Two copies of the unit wiring diagram are provided with each unit. One is located in the side access control compartment and the other is supplied in the literature packet. Refer to this diagram for all wiring connections.
3. Make sure all multi-voltage components (motors, transformers, etc.) are wired in accordance with the power supply voltage.
4. The power supply to the unit must be protected with a fused or circuit breaker switch.
5. The power supply must be within 5 percent of the voltage rating and each phase must be balanced within 2 percent of each other. If not, advise the utility company.
6. External electrical service connections that must be installed include:
 - a. Supply power connection (115, 208, 230, 460, or 575 volts).
 - b. Connection of thermostats, or any other accessory control devices that may be supplied (24 volts).

NOTE: All units with supply voltage 208V and greater must use a field installed step-down transformer, available as a separate accessory. Refer to Tables 17.1 and 17.2 for additional information on the required transformer.

7. Refer to Figure 17.1 for the junction box wiring entry location.

Figure 17.1 - Power/Control Wiring



8. All supply power electrical connections are made in the junction box compartment of the unit. The low voltage (thermostat and accessory control devices) can be wired to the terminals on the junction box.

Additional Notes for the Condensate Pump Outlet:

9. The condensate pump outlet supplied with this unit is intended for use with a condensate pump with operating amps not to exceed 2 Amps.
10. The condensate pump outlet can be used as a service outlet. To be used as a service outlet, the on/off toggle switch located above the outlet must be in the OFF position to disable the unit heater power and gas control circuits to prevent equipment damage. When the unit is wired directly to a 115V power supply, the outlet is rated for a maximum load of 20 amps at 115V. If this unit has been provided with an accessory step-down transformer to 115V from a higher supply voltage, ensure that the load plugged into the outlet does not exceed 8A for 1.0kVA or 12A for 1.5kVA rated transformers.

Table 17.1 - Propeller Unit Model PTC Accessory Transformer Size

Supply Voltage	Power Code	Transformer kVA	Model PTC Sizes									
			55	65	85	110	135	156	180	215	260	310
115V 1 Phase	01 (115V)	Transformer kVA	n/a	n/a	n/a	n/a	n/a	n/a	n/a	n/a	n/a	n/a
208V 1 or 3 Phase	01 (115V) with Transformer	Transformer kVA	1.00	1.00	1.00	1.00	1.00	1.00	1.00	1.50	1.50	1.50
230V 1 or 3 Phase	01 (115V) with Transformer	Transformer kVA	0.75	0.75	0.75	1.00	1.00	1.00	1.00	1.50	1.50	1.50
460V 3 Phase	01 (115V) with Transformer	Transformer kVA	0.75	0.75	0.75	1.00	1.00	1.00	1.00	1.50	1.50	1.50
575V 3 Phase	01 (115V) with Transformer	Transformer kVA	0.75	0.75	0.75	1.00	1.00	1.00	1.00	1.50	1.50	1.50

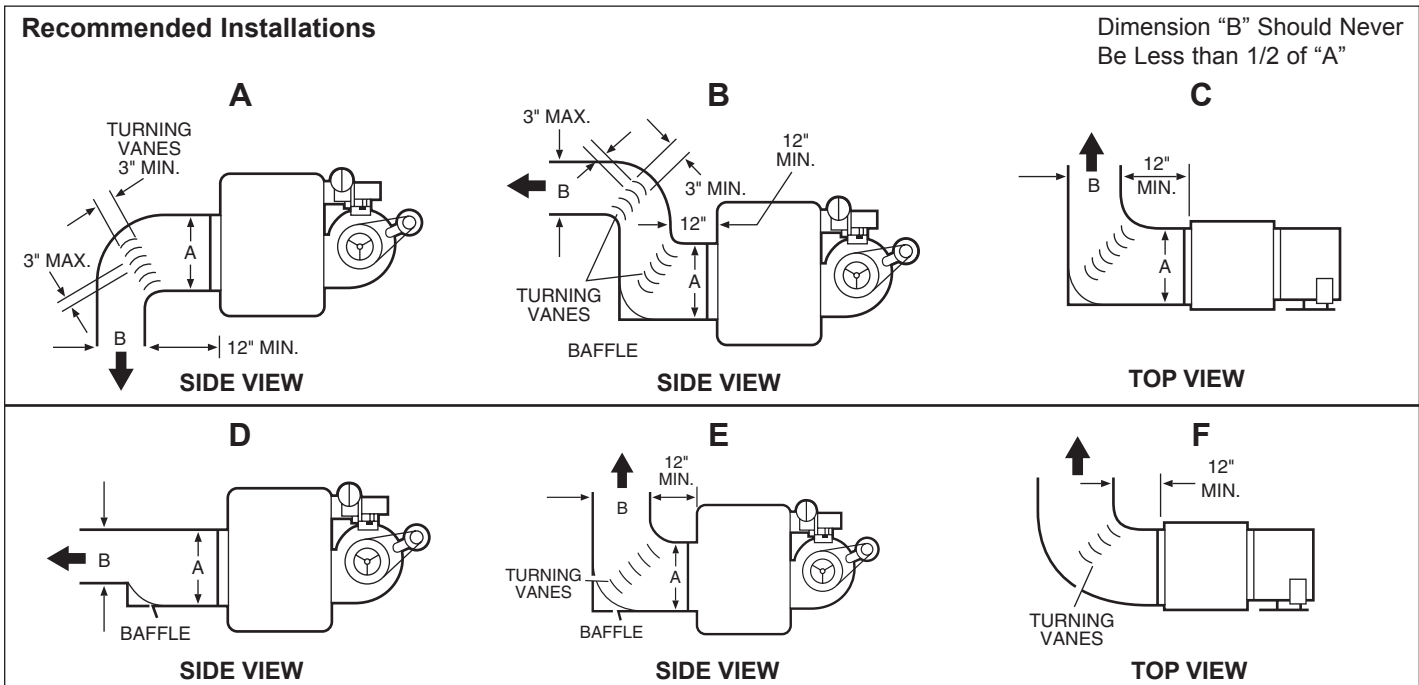
① Transformers for blower models are typically smaller than those used for propeller models, as the transformer is not needed for the blower motor.

Table 17.2 - Blower Model BTC Accessory Transformer Size (kVA) ①

Model Size	Supply Voltage			
	208V 3 ph	230V 1 or 3 ph	460V 3 ph	575V 3 ph
215-260	0.50	0.50	0.50	0.50
310	0.50	0.25	0.25	0.25

INSTALLATION WITH DUCTWORK

Figure 18.1- Typical Duct & Airflow Installation



IMPORTANT

Do not attempt to attach ductwork of any kind to propeller models.

When installing the heater, always follow good duct design practices for even distribution of the air across the heat exchanger. Recommended layouts are shown in Figure 18.1. When installing blower units with ductwork the following must be done.

1. **Provide uniform air distribution over the heat exchanger.**
Use turning vanes where required (see Figure 18.1).
2. Provide removable access panels in the ductwork on the downstream side of the unit heater. These openings should be large enough to view smoke or reflect light inside the casing to indicate leaks in the heat exchanger and to check for hot spots on exchanger due to poor air distribution or lack of sufficient air.
3. If ductwork is connected to the rear of the unit use Modine blower enclosure kit or if using field designed enclosure maintain dimensions of blower enclosure as shown on page 27.

Additional Requirements for Installation of Blower Models (model BTC)

Determining Blower Speed

The drive assembly and motor on gas-fired blower unit heaters below 3 HP are factory assembled, motors 3 HP and above ship loose to prevent shipping damage. The adjustable motor sheave has been pre-set to permit operation of this unit under average conditions of air flow and without any external static pressure. The motor sheave should be adjusted as required when the unit is to be operated at other than average air flows and/or with external static pressures. Adjustment must always be within the performance range shown on page 24 and the temperature rise range shown on the unit's rating plate.

To determine the proper blower speed and motor sheave turns

open, the conditions under which the unit is to operate must be known. If the blower unit is to be used without duct work or filters, the only criteria for determining the motor sheave turns open and blower speed is the amount of air to be delivered. The performance tables for blower models are shown on page 21. As an example, a model BTC310 unit, operating with no external static pressure, that is, no duct work, filters, etc., and is to deliver an air volume of 6674 cfm (cfm = cubic feet of air per minute) requires that the unit be supplied with a 5 hp motor, a -260 drive, and the drive sheave must be set at 3.0 turns open to achieve a blower speed of 809 rpm (see performance table for units with or without blower enclosure, page 21). See "Blower Adjustments" on page 19 for setting of drive pulley turns open.

If a blower unit is to be used with ductwork or filters, etc., the total external static pressure under which the unit is to operate, and the required air flow must be known before the unit can be properly adjusted.

If Modine filters are used, the expected pressure loss through the filters is included in the performance data on page 21. If filters or ductwork are to be used with the unit, and they are not supplied by Modine, the design engineer or installing contractor must determine the pressure loss for the externally added devices or ductwork to arrive at the total external static pressure under which the unit is to operate.

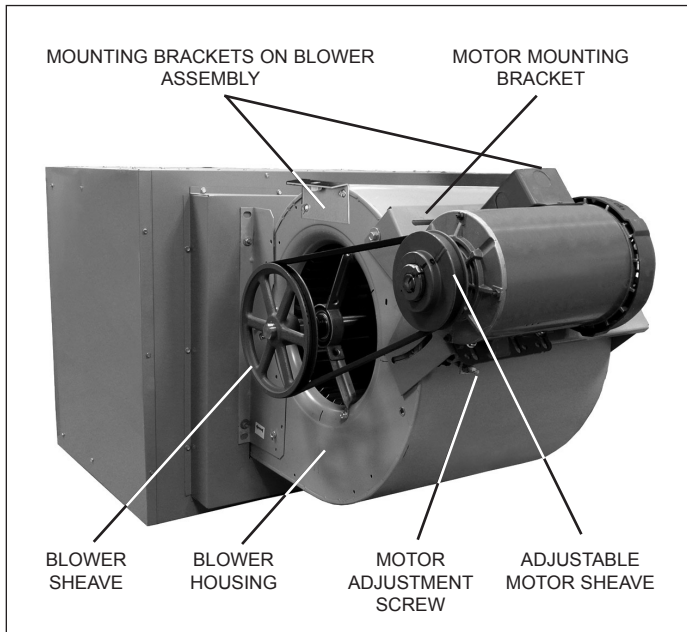
Once the total static pressure and the required air flow are known, the operating speed of the blower can be determined and the correct motor sheave adjustments made. As an example, a model BTC310 is to be used with a Modine supplied blower enclosure and Modine supplied filters attached to ductwork. The unit is to move 6674 cfm of air flow against an external static pressure of 0.2" W.C. Also, 0.1" W.C. must be added for the filter pressure drop for a total of 0.3" W.C. total pressure drop. Entering the performance table on page 21 for a BTC310, at 6674 cfm and 0.3" W.C. static pressure, it is seen that the unit will require a 5 hp motor using a -260 drive, and the motor sheave should be set at 2.0 turns open to achieve a blower speed of 866 rpm. This example differs from similar conditions in paragraph 2 by the number of turns open and a higher rpm, which is needed to overcome the added external static pressure from the filters.

INSTALLATION

To Install

1. Remove and discard the motor tie down strap and the shipping block beneath the motor adjustment screw (not used on all models.)
2. For 3 and 5 HP motors, affix sheave to the motor shaft and install motor on the motor mounting bracket. Install belt on blower and motor sheaves.

Figure 19.1 - Blower Model



3. Adjust motor adjusting screw for a belt deflection of approximately 3/4" with 5 pounds of force applied midway between the sheaves (refer to Figure 19.3). Since the belt tension will decrease dramatically after an initial run-in period, it is necessary to periodically re-check the tension. Excessive tension will cause bearing wear and noise.
4. The blower bearings are lubricated for life; however, before initial unit operation the blower shaft should be lubricated at the bearings with SAE 20 oil. This will reduce initial friction and start the plastic lubricant flowing.
5. Make electrical connections according to the wiring diagram.
6. Check rotation of the blower. Motor should be in clockwise rotation when facing motor pulley. If rotation is incorrect, correction should be made by interchanging wiring within the motor. See wiring diagram on the motor.
7. The actual current draw of the motor should be determined. Under no condition should the current draw exceed that shown on the motor rating plate.
8. It is the installer's responsibility to adjust the motor sheave to provide the specified blower performance as listed on page 21 for blower settings different from the factory set performance. The drive number on the unit may be identified by referring to the Power Code number on the serial plate of the unit (see page 31 for model number nomenclature) and matching that number with those shown on page 20. From the listing, the drive number can be determined.

Blower Adjustments

Following electrical connections, check blower rotation to assure blow-through heating. If necessary, interchange wiring to reverse blower rotation. Start fan motor and check blower sheave RPM with a hand-held or strobe-type tachometer. RPM should check out with the speeds listed in Performance Data shown on page 21. A single-speed motor with an adjustable motor sheave is supplied with these units. If blower fan speed changes are required, adjust motor sheave as follows:

NOTE: Do not fire unit until blower adjustment has been made or unit may cycle on limit (overheat) control.

1. Shut-off power before making blower speed adjustments. Refer to "Determining Blower Speed" on page 18 and to "Performance Data" on page 21 to determine proper blower RPM.
2. Loosen belt and take belt off of motor sheave.
3. Loosen set screw on outer side of adjustable motor sheave (see Figure 19.2).
4. To reduce the speed of the blower, turn outer side of motor sheave counterclockwise.
5. To increase the speed of the blower, turn outer side of motor sheave clockwise.
6. Retighten motor sheave set screw, replace belt and retighten motor base. Adjust motor adjusting screw such that there is 3/4" belt deflection when pressed with 5 pounds of force midway between the blower and motor sheaves (see Figure 19.3). Since the belt tension will decrease dramatically after an initial run-in period, it is necessary to periodically re-check the tension to assure continual proper belt adjustment.
7. Check to make certain motor sheave and blower sheave are aligned. Re-align if necessary.
8. Re-check blower speed after adjustment.
9. Check motor amps. Do not exceed amps shown on motor nameplate. Slow blower if necessary.
10. Check air temperature rise across unit. Check temperature rise against values shown in Performance Tables on page 21 to assure actual desired air flow is being achieved.
11. If adjustments are required, recheck motor amps after final blower speed adjustment.

Figure 19.2 - Motor Sheave Adjustment

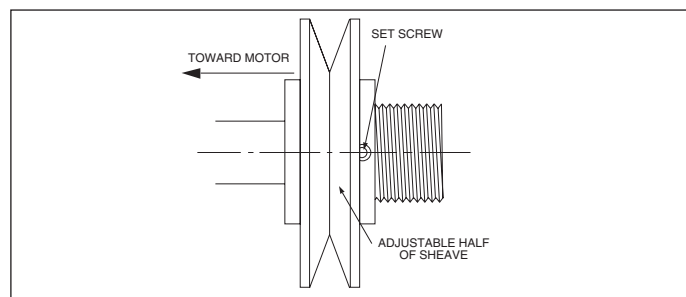
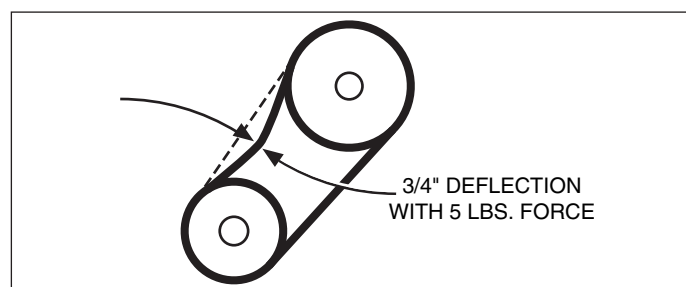


Figure 19.3 - Belt Tension Adjustment



BLOWER PERFORMANCE DATA - MODEL BTC

Table 20.1 - Power Code Description - Blower Model BTC - ①

Power Code	Voltage	Phase	BTC215		BTC260		BTC310	
			HP	Drive	HP	Drive	HP	Drive
02	115/230	1	1	270	1-1/2	261	1-1/2	261
08	208-230/460	3	1	269	2	268	3	260
11	575	3	1	269	2	268	3	260
13	115/230	1	1-1/2	270	1-1/2	263	1-1/2	263
19	208-230/460	3	1-1/2	269	3	260	5	260
22	575	3	1-1/2	269	3	260	5	260
24	115/230	1	1	272	1-1/2	266	1-1/2	266
30	208-230/460	3	2	269	5	260	1-1/2	262
33	575	3	2	269	5	260	1-1/2	262
35	115/230	1	1-1/2	272	-	-	-	-
41	208-230/460	3	3	271	1-1/2	262	2	262
44	575	3	3	271	1-1/2	262	2	262
46	115/230	1	1	274	-	-	-	-
52	208-230/460	3	1	273	2	262	3	278
55	575	3	1	273	2	262	3	278
57	115/230	1	1	277	-	-	-	-
63	208-230/460	3	1-1/2	273	3	278	1-1/2	264
66	575	3	1-1/2	273	3	278	1-1/2	264
74	208-230/460	3	2	273	1-1/2	264	2	264
77	575	3	2	273	1-1/2	264	2	264
80	575	3	1	275	2	264	3	265
83	575	3	1	276	1-1/2	267	1-1/2	267
84	208-230/460	3	1	275	2	264	3	265
85	208-230/460	3	1	276	1-1/2	267	1-1/2	267

① For selection of correct power code, refer to the tables on page 21.

Table 20.2 - Filter Static Pressure Drop ②

	BTC215	BTC260	BTC310
Filter Static ("W.C.)	0.1	0.1	0.1

② Calculated at 55°F ATR, for blower units with enclosure and filter, add filter static to external static pressure

BLOWER PERFORMANCE DATA - MODEL BTC

Table 21.1 - Blower Model BTC215-310 - ①②③

Model Size	ATR	CFM	HP	External Static Pressure ("W.C.)																													
				0.0			0.1			0.2			0.3			0.4			0.5			0.58			HP								
				RPM	Drive	Turns	RPM	Drive	Turns	RPM	Drive	Turns	RPM	Drive	Turns	RPM	Drive	Turns	RPM	Drive	Turns	RPM	Drive	Turns									
215	40	4628	2	618	269	5.0	647	269	4.0	676	269	3.5	703	269	2.5	730	269	2.0	757	-	-	777	-	-	2								
			3		273	0.5		-	-		-	-		-	-		-	-		-	-		-	-		-	-	-	-	-	-	-	3
			-		-	-		-	-		-	-		-	-		-	-		-	-		-	-		-	-	-	-	-	-	-	-
	45	4114	1-1/2	552	-	-	586	-	-	617	269	5.0	648	269	4.0	677	269	3.5	706	-	-	727	-	-	1-1/2								
			2		273	3.0		-	-		-	-		-	-		-	-		-	-		-	-		-	-	-	-	-	-	-	2
	50	3703	1	500	273	4.5	534	273	3.5	569	273	2.0	602	-	-	634	-	-	665	-	-	690	-	-	1-1/2								
			1-1/2		275	1.5		-	-		-	-		-	-		-	-		-	-		-	-		-	-	-	-	-	-	-	-
	55	3366	1	457	275	3.5	497	275	2.0	534	275	0.5	570	-	-	604	-	-	636	-	-	685	-	-	1-1/2								
			1-1/2		276	1.0		-	-		-	-		-	-		-	-		-	-		-	-		-	-	-	-	-	-	-	-
	60	3086	1	422	-	-	463	-	-	504	273	4.5	541	273	3.0	578	273	2.0	612	269	5.0	640	269	4.5	1								
			-		-	-		-	-		-	-		-	-		-	-		-	-		-	-		-	-	-	-	-	-	-	-
	65	2848	1	392	275	5.0	439	275	3.0	481	275	1.5	521	275	0.0	559	-	-	596	273	1.5	624	273	0.5	1								
-			-		-	-		-	-		-	-		-	-		-	-		-	-		-	-		-	-	-	-	-	-	-	
70	2645	1	368	276	2.5	419	276	0.5	464	-	-	506	273	4.5	546	273	3.0	584	273	1.5	614	273	0.5	1									
		-		-	-		-	-		-	-		-	-		-	-		-	-		-	-		-	-	-	-	-	-	-	-	
260	40	5597	3	797	260	3.5	821	260	3.0	843	-	-	866	-	-	888	-	-	910	-	-	927	-	-	3								
			5		278	0.0		-	-		-	-		-	-		-	-		-	-		-	-		-	-	-	-	-	-	-	
	45	4975	3	713	-	-	739	260	5.0	764	260	4.5	789	260	3.5	813	260	3.0	837	260	2.5	856	260	2.0	3								
			-		-	-		-	-		-	-		-	-		-	-		-	-		-	-		-	-	-	-	-	-	-	
	50	4478	2	646	262	4.0	674	262	3.5	702	262	2.5	729	268	5.0	755	268	4.5	781	-	-	801	-	-	2								
			3		264	1.5		-	-		-	-		-	-		-	-		-	-		-	-		-	-	-	-	-	-	-	
	55	4071	1-1/2	590	264	3.0	622	262	5.0	653	262	4.0	682	262	3.0	710	-	-	738	-	-	760	-	-	1-1/2								
			2		267	0.0		-	-		-	-		-	-		-	-		-	-		-	-		-	-	-	-	-	-	-	
	60	3731	1-1/2	543	264	4.5	576	264	3.5	609	264	2.5	641	264	1.5	671	264	0.5	701	262	2.5	724	262	2.0	1-1/2								
			-		-	-		-	-		-	-		-	-		-	-		-	-		-	-		-	-	-	-	-	-	-	
	65	3444	1-1/2	503	-	-	540	264	5.0	575	264	3.5	609	264	2.5	641	262	4.5	672	262	3.5	697	262	3.0	1-1/2								
			-		-	-		-	-		-	-		-	-		-	-		-	-		-	-		-	-	-	-	-	-	-	
70	3198	1-1/2	469	-	-	507	-	-	544	264	4.5	580	264	3.5	614	262	5.0	647	262	4.0	673	262	3.5	1-1/2									
		-		-	-		-	-		-	-		-	-		-	-		-	-		-	-		-	-	-	-	-	-	-		
310	40	6674	5	809	260	3.0	827	260	3.0	847	2.5	2.5	866	260	2.0	886	260	1.5	906	260	1.0	922	260	0.5	5								
			-		-	-		-	-		-	-		-	-		-	-		-	-		-	-		-	-	-	-	-	-	-	
	45	5932	3	722	260	5.0	743	260	4.5	765	260	4.5	788	278	0.5	810	-	-	833	-	-	850	-	-	3								
			5		278	2.0		-	-		-	-		-	-		-	-		-	-		-	-		-	-	-	-	-	-	-	
	50	5339	3	652	278	4.0	677	278	3.5	701	278	2.5	726	278	2.0	751	260	5.0	776	260	4.5	795	260	3.5	3								
			-		-	-		-	-		-	-		-	-		-	-		-	-		-	-		-	-	-	-	-	-	-	
	55	4854	2	595	262	5.0	621	262	4.0	648	262	3.5	676	262	3.5	703	262	2.5	729	-	-	750	-	-	2								
			3		264	3.0		-	-		-	-		-	-		-	-		-	-		-	-		-	-	-	-	-	-	-	
	60	4449	1-1/2	547	264	4.5	575	264	3.5	605	264	2.5	635	-	-	664	-	-	692	-	-	714	-	-	1-1/2								
			2		267	1.5		-	-		-	-		-	-		-	-		-	-		-	-		-	-	-	-	-	-	-	
	65	4107	1-1/2	506	-	-	537	264	5.0	569	264	4.0	601	264	3.0	632	262	4.5	662	262	3.5	686	262	3.0	1-1/2								
			2		267	3.0		-	-		-	-		-	-		-	-		-	-		-	-		-	-	-	-	-	-	-	
70	3813	1-1/2	471	-	-	507	-	-	541	264	4.5	575	264	3.5	608	264	2.5	640	262	4.5	663	262	3.5	1-1/2									
		-		-	-		-	-		-	-		-	-		-	-		-	-		-	-		-	-	-	-	-	-	-		

Table 21.2 - Alternate Drives for 115/230V 1 Ph, 1 HP Motors

Model	1 HP Drive Listed	1 HP Drive for 115/230V
BTC215	269	= 270
	273	= 272
	275	= 274
	276	= 277

Table 21.3 - Alternate Drives for 115/230V 1 Ph, 1-1/2 HP Motors

Model	1-1/2 HP Drive Listed	1-1/2 HP Drive for 115/230V
BTC215	269	= 270
	273	= 272
BTC260	262	= 261
	264	= 263
BTC310	267	= 266
	262	= 261
	264	= 263
	267	= 266

① Outputs shown are for elevations up to 2000'. For elevations over 2000', output needs to be reduced 4% for each 1000' above sea level. (Does not apply in Canada - see rating plate).

② Sheave turns open are approximate. For proper operation, check blower rpm.

③ For 115/230V (1 HP and 1-1/2 HP) selections, see Tables 21.2 & 3 for the corrected Drive Number.

INSTALLATION - OPERATION

OPERATION

Prior to Operation

IMPORTANT

Start-up and adjustment procedures must be performed by a qualified service agency.

Although this unit has been assembled and fire-tested at the factory, the following pre-operational procedures should be performed to assure proper on-site operation.

1. Turn off power to the unit at the disconnect switch. Check that fuses or circuit breakers are in place and sized correctly. Turn all hand gas valves to the OFF position.
2. Remove the side control access panel.
3. Check that the supply voltage matches the unit supply voltage listed on the Model Identification plate. Verify that all wiring is secure and properly protected. Trace circuits to insure that the unit has been wired according to the wiring diagram. If installed at altitudes above 2,000' and the high altitude kit includes a combustion air proving switch, replace the switch in the unit with the switch provided in the kit. Take care to ensure that the tubing and electrical connections are securely fastened.
4. Check to insure that the venting system is installed correctly and is free from obstructions. Before starting the unit, use the following steps to verify that the venting system is adequately sized:
 - a. Inspect the venting system for proper size and horizontal pitch, as required in these instructions. Determine that there is no blockage or restriction, leakage, or other deficiencies, which could cause an unsafe condition.
 - b. Follow the lighting instructions. Place the appliance being inspected in operation. Adjust thermostat so that the appliance will operate continuously.
 - c. If the vent pressure switch does not close during any of the above tests, the venting system must be corrected.
5. Check to see that there are no obstructions to the intake and discharge of the unit.
6. Check fan clearance. Fan should not contact casing when spun by hand.
7. Perform a visual inspection of the unit to make sure no damage has occurred during installation. Check to ensure all fasteners are in place and the burner openings are properly aligned with the heat exchanger tubes and that the gas orifices are centered in the burner inspirator tube opening.
8. Check to make sure that all filters are in place and that they are installed properly according to direction of air flow (if applicable).
9. Check that all horizontal deflector blades are open a minimum of 30° as measured from vertical.
10. Turn on power to the unit at the disconnect switch. Verify that the green light on the unit junction box is on, which confirms power is on.
11. With the gas turned off, check the thermostat, ignition control, gas valve, and supply fan motor for electrical operation by creating a call for heat from the thermostat. If these do not function, recheck the wiring diagram. Verify that the amber light on the unit junction box is on, confirming that there is a call for heat.
12. For blower units, check the blower speed (rpm). Refer to "Blower Adjustments" for modification.
13. Check the motor speed (rpm).
14. Check the motor voltage.
15. Check the motor amp draw to make sure it does not exceed the motor nameplate rating.
16. Recheck the gas supply pressure at the field installed manual shut-off valve. The minimum inlet pressure should be 6" W.C. on natural gas and 11" W.C. on propane gas.

The maximum inlet pressure for either gas is 14" W.C. If inlet pressure exceeds 14" W.C., a gas pressure regulator must be added upstream of the combination gas valve.

17. Open the field installed manual gas shut-off valve.
18. Place the manual main gas valve on the combination gas valve in the "On" position. Call for heat with the thermostat.
19. Check to make sure that the main gas valve opens. Check the manifold gas pressure (see "Main Gas Adjustment") while the supply fan is operating. Verify that the blue light on the unit junction box is on, confirming that the main gas valve is open.
20. Check to insure that gas controls sequence properly (see "Control Operating Sequence"). If unfamiliar with the unit's controls (i.e. combination gas control), refer to the control manufacturer's literature supplied with the unit.
21. Once proper operation of the unit has been verified, remove any jumper wires that were required for testing.
22. Replace the side control access panel.
23. If installed at altitudes above 2,000', affix label included with high altitude kit and fill in all fields with a permanent marker.

Main Gas Adjustment

The gas pressure regulator (integral to the combination gas control) is adjusted at the factory for average gas conditions. It is important that gas be supplied to the unit heater in accordance with the input rating on the serial plate. Actual input should be checked and necessary adjustments made after the unit heater is installed. Over-firing, a result of too high an input, reduces the life of the appliance and increases maintenance. Under no circumstances should the input exceed that shown on the serial plate.

Measuring the manifold pressure is done at the outlet pressure tap of the gas valve.

To Adjust the Manifold Pressure

1. Move the field installed manual shut-off valve to the "OFF" position.
2. Remove the 1/8" pipe plug from the outlet pressure tap on the gas valve and attach a water manometer of "U" tube type which is at least 12" high.
3. Move the field installed manual gas shut-off valve to the "ON" position.
4. Create a call for heat from the thermostat.
5. Refer to Table 14.1 to determine the correct manifold pressure for the gas type of the unit. Pressures at 0-2,000' elevation are 3.5" W.C. for natural gas, 10" W.C. for propane gas, for elevations above 2,000' refer to the instructions in "Gas Connections - High Altitude Accessory Kit" on page 12. Adjust the main gas pressure regulator spring to achieve the proper manifold pressure (for location, see the combination gas control literature supplied with unit).
6. After adjustment, move the field installed manual shut-off valve to the "OFF" position and replace the 1/8" pipe plug.
7. After the plug is in place, move the field installed manual shut-off valve to the "ON" position and recheck pipe plugs for gas leaks with soap solution.

CONTROL OPERATING SEQUENCE

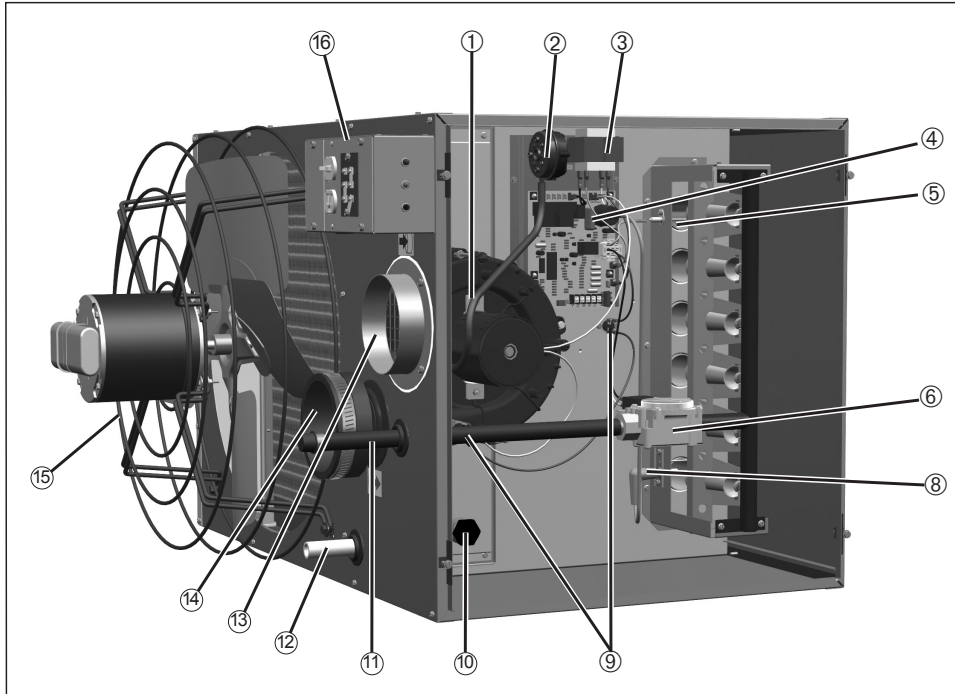
Upon a call for heat from the thermostat, power is supplied to the power exhaustor motor. The unit will go through a purge period and then the direct spark igniter will be energized. At the same time, the main valve in the combination control valve will open to allow gas to flow to the burners. If the fan motor has not already started it will start shortly. If a flame is not sensed within 7 seconds for any reason the main valve will close and there will be a short purge period before ignition is tried again. If the flame is not sensed after 4 tries there will be at least a 1 hour wait before ignition is tried again.

UNIT COMPONENTS

Table 23.1 - Control Options

Control Description	Control Code No.	Service Voltage	Thermostat Voltage	Type of Gas
Single-Stage, Direct Spark Ignition, 100% Shut-Off with Continuous Retry Utilizes a single-stage combination gas control with ignition control. Gas is lit with a direct spark igniter on call for heat.	11	115V	24V	Natural
	21	115V	24V	Propane

Figure 23.1 - Factory Mounted Standard Features



- ⑥ **Single Stage Gas Valve**
The main gas valve is factory installed on the unit heater gas train. The main gas valve provides regulator, main gas, and manual shutoff functions. The valve is redundant and provides 100% shut off. Natural gas is Control Code 11, propane gas is Control Code 21.
- ⑦ **Flame Roll Out Switch (size 110 and smaller only) (hidden)**
Flame roll out switches are mounted near the burners and will shut off the gas supply in the event of an unsafe flame roll out condition.
- ⑧ **Direct Spark Igniter**
Provides spark for direct ignition of the burners.
- ⑨ **High Limit Switches**
One limit control is mounted in the air stream and will shut off the gas supply in the event of overheating. The other limit control is mounted on the power exhauster housing and will shut off the gas supply in the event of overheating flue gas temperatures.
- ⑩ **Condensate Drain Overflow Switch**
Shuts down gas controls if condensate is not properly draining from the unit.
- ⑪ **Gas Pipe Connection**
Easy access to factory installed gas pipe connection stubbed to outside of unit casing.
- ⑫ **Condensate Drain Connection**
Easy access to factory installed condensate drain pipe connection stubbed to outside of unit casing.
- ⑬ **Combustion Air Inlet Pipe Connection**
Simple connection for combustion air inlet piping.
- ⑭ **Vent Pipe Connection**
Rubber exhaust coupling with clamp for easy connection of PVC vent system.
- ⑮ **Fan Guard**
Propeller units may be equipped with an optional (standard on size 110 and smaller) finger proof fan guard for added protection. If ordered, the finger proof fan guard is installed at the factory in place of the standard fan guard.
- ⑯ **Contractor Convenience Package**
External junction box features simple connection of supply power wiring internally, thermostat wiring to terminals externally, an On/Off switch, a single 115V outlet for connection of an external condensate pump, and status indicator lights to display the operational state of the unit.
- ⑰ **Horizontal Air Deflector Blades (not shown in Figure 23.1)**
Factory mounted on the discharge of the unit, the blades can be adjusted to provide horizontal (up and down) delivery control of the heated air. Vertical deflector blades are available as a field installed accessory.

- ① **Power Exhauster**
All units are supplied with a round vent pipe and combustion air inlet pipe connections.
- ② **Pressure Switch**
An automatic reset vent pressure switch is supplied on all units and is designed to prevent operation of the main burner in the event there is restricted venting of flue products. This restriction may occur due to an improper vent diameter, long vent runs, un-approved vent terminal, high winds, high negative pressure within space, etc. After the cause of the restriction has been corrected, the pressure switch will reset automatically.
- ③ **Control Step Down Transformer**
The control step down transformer is located in the electrical junction box. The transformer is used to step the voltage down from 115V to 24V for the gas controls, fan delay relay, field supplied motor starter, etc. An additional field installed transformer is required if the supply voltage is 208V, 230V, 460V, or 575V. To determine the control transformer supplied as well as any required accessory transformers, refer to Tables 17.1-17.2.
- ④ **Integrated Direct Spark Control Board**
The integrated direct spark ignition control combines all furnace control functions. The integrated board provides digital control of the air mover, inducer, ignition, gas valve and flame sensing as well as monitoring the safety circuit at all times. The board includes LED diagnostics for trouble shooting and a fused power supply. Ignition control is 100% shut-off with continuous retry.
- ⑤ **Flame Sensor**
Remote flame sensor verifies ignition of all burners, monitors the flame signal and communicates with the integrated circuit board.

GENERAL PERFORMANCE DATA - MODELS PTC & BTC

Table 24.1 - Propeller Unit Heater Model PTC General Performance Data

	Model PTC Sizes									
	55	65	85	110	135	156	180	215	260	310
Btu/Hr Input ①	55,000	65,000	85,000	110,000	135,000	155,000	180,000	215,000	260,000	310,000
Btu/Hr Output ①	51,150	60,450	79,050	102,300	125,500	144,150	167,400	199,950	241,800	288,300
Condensate Production (Gal./Hr.)	0.3	0.4	0.5	0.7	1.0	1.1	1.3	1.6	1.9	2.3
Entering Airflow (CFM) @ 70°F ②	1097	1141	1650	1750	2160	2600	3020	3865	4585	5400
Outlet Velocity (FPM) ②	618	650	619	668	719	862	676	699	831	765
Air Temp. Rise (°F)	43	49	44	54	54	51	51	48	49	49
Max. Mounting Height (Ft.) ②	12	12	13	13	14	18	15	17	20	19
Heat Throw (Ft.) @ Max. Mtg Ht	43	43	48	46	51	62	53	60	70	67
Motor Type ③	PSC	PSC	PSC	PSC	PSC	PSC	PSC	PSC	PSC	PSC
Motor HP	1/8	1/8	1/8	1/3	1/3	1/3	1/3	1/2	3/4	3/4
Motor RPM	1440	1440	1550	1075	1075	1075	1075	1075	1125	1125

Table 24.2 - Blower Unit Heater Model BTC General Performance Data

	Model BTC Sizes		
	215	260	310
Btu/Hr Input ①	215,000	260,000	310,000
Btu/Hr Output ①	199,950	241,800	288,300
Condensate Production (Gal./Hr.)	1.6	1.9	2.3
Entering Airflow Range (CFM)	2645-4628	3198-5597	3813-6674
Outlet Velocity (FPM) ②	497-826	601-999	559-930
Air Temp. Rise (°F)	40-70	40-70	40-70
Max. Mounting Height (Ft.) ②	9-22	11-26	11-26
Heat Throw (Ft.) @ Max. Mtg Ht	33-77	40-94	39-91
Motor Type ③	TE	TE	TE
Motor HP	See Table 20.1		
Motor RPM	1725	1725	1725

① Ratings shown are for elevations up to 2,000'. For elevations above 2,000', ratings should be reduced at the rate of 4% for each 1,000' above sea level. (In Canada see rating plate.) Reduction of ratings requires use of a high altitude kit.

② Data taken at 65°F ambient and unit fired at full-rated input. Mounting height as measured from bottom of unit, and without deflector hoods.

③ All motors used are produced, rated and tested by reputable manufacturers in accordance with NEMA standards and carry the standard warranty of both the motor manufacturer and Modine. All motors are totally enclosed and all single phase motors have built-in thermal overload protection.

PERFORMANCE DATA - DEFLECTOR HOODS

Figure 25.1 - 30°, 60°, & 90° Deflector Hoods

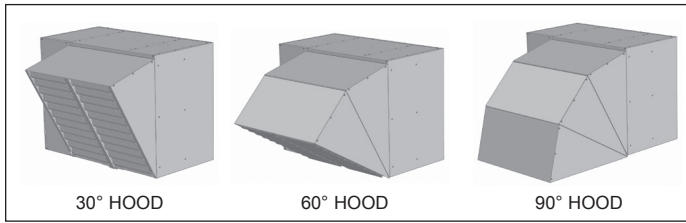


Figure 25.2 - 30° & 60° Hood Throw/Floor Coverage

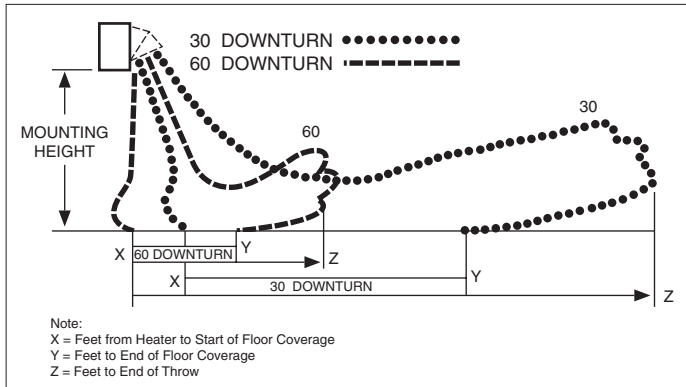


Table 25.1 - Deflector Hood General Performance Data - Model BTC

Model Size	Airflow (CFM)	Temp Rise (°F)	Mounting Height (ft)	Blade Angle (°)	30° Hood			60° Hood			90° Hood S (ft)
					X (ft)	Y (ft)	Z (ft)	X (ft)	Y (ft)	Z (ft)	
215	3366	55	8	59	14	31	42	27	32	44	22
			10	50	13	29	40	36	30	41	20
			12	40	11	27	37	40	27	37	18
			14	27	9	24	33	35	22	31	17
			15	17	7	21	30	28	18	25	16
260	4071	55	8	65	18	38	52	34	40	55	29
			10	58	17	37	50	48	39	53	26
			12	51	15	35	49	59	36	50	24
			14	42	14	33	46	64	33	46	22
			16	33	12	30	42	61	29	40	21
			18	18	9	26	37	42	23	32	19
310	4854	55	8	64	17	37	51	33	39	54	28
			10	57	16	36	49	47	37	51	21
			12	50	15	34	47	56	35	48	16
			14	41	13	32	44	61	32	44	13
			16	30	11	29	41	56	27	38	11
			18	14	8	23	33	30	20	28	9

Note: Refer to Figures 25.2 and 25.3.

Figure 25.3 - 90° Hood Throw/Floor Coverage

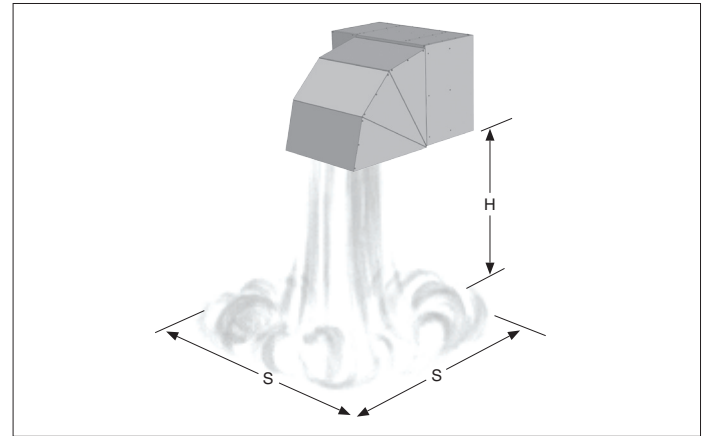


Table 25.2 - Deflector Hood General Performance Data - Model PTC

Model Size	Airflow (CFM)	Temp Rise (°F)	Mounting Height (ft)	Blade Angle (°)	30° Hood			60° Hood			90° Hood S (ft)
					X (ft)	Y (ft)	Z (ft)	X (ft)	Y (ft)	Z (ft)	
55	1097	43	8	55	12	27	37	0	28	39	19
			10	44	11	25	35	0	26	35	17
			12	31	9	23	32	0	22	30	15
65	1141	49	8	54	12	26	36	0	27	38	18
			10	43	10	24	34	0	25	34	16
			12	29	8	21	30	0	20	28	15
85	1650	44	8	59	14	30	41	0	32	43	17
			10	49	12	29	39	0	29	40	16
			12	39	11	26	37	0	26	36	14
			13	32	10	25	35	0	24	33	14
110	1750	54	8	57	13	29	39	0	30	41	16
			10	47	11	27	37	0	28	38	15
			12	35	10	25	34	0	24	33	13
135	2160	53	8	60	15	32	44	0	34	47	24
			10	52	13	31	42	0	32	44	21
			12	42	12	29	40	0	29	40	19
156	2600	51	14	30	10	26	36	0	25	34	18
			8	60	19	41	56	0	43	60	26
			10	51	18	40	55	0	42	57	23
			12	41	17	38	53	0	40	55	21
180	3020	51	14	29	15	37	51	0	37	51	20
			16	8	14	34	48	0	34	47	18
			8	63	16	35	48	0	37	51	26
			10	55	15	34	46	0	35	48	23
215	3865	48	12	46	13	32	44	0	32	45	21
			14	36	12	29	41	0	29	40	20
			8	66	19	41	56	0	43	59	32
			10	60	18	40	54	0	42	57	29
260	4585	49	12	53	17	38	53	0	40	54	26
			14	46	15	36	50	0	37	51	24
			16	37	14	34	47	0	33	46	23
			8	69	22	45	62	0	48	66	37
310	5400	49	10	63	21	44	61	0	47	64	33
			12	57	19	43	59	0	45	62	30
			14	51	18	42	57	0	43	59	28
			16	44	17	40	55	0	40	55	26
			18	35	15	37	52	0	36	50	25
			20	25	13	33	47	0	31	43	24
			8	68	20	43	58	0	45	62	34
310	5400	49	10	61	19	42	57	0	44	60	31
			12	55	18	40	55	0	42	58	28
			14	48	17	39	53	0	40	54	26
			16	40	15	37	51	0	36	50	24
			18	31	13	34	47	0	32	44	23

Note: Refer to Figures 25.2 and 25.3.

DIMENSIONAL DATA - MODEL PTC

Figure 26.1 - Dimensional Drawings - Model PTC

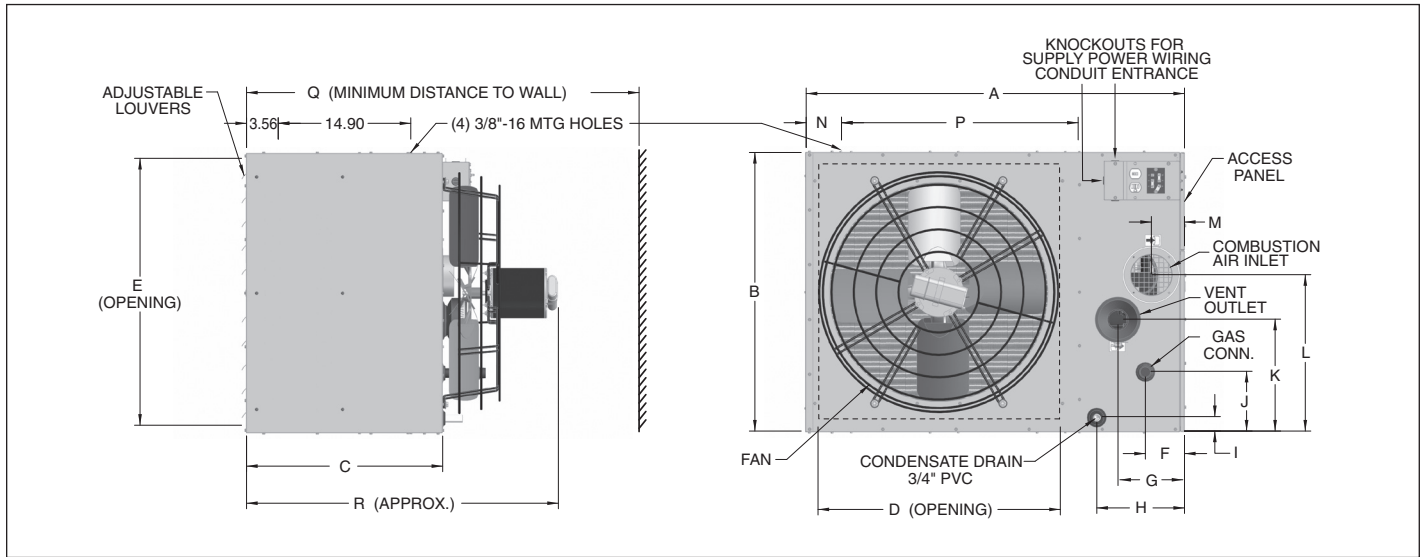


Table 26.1 - Dimensions (inches) - PTC ①

Models	PTC 55	PTC 65	PTC 85	PTC110	PTC135	PTC156	PTC180	PTC 215	PTC260	PTC310
A	29.80	29.80	35.53	35.53	35.53	35.53	42.53	42.53	42.53	42.53
B	18.13	18.13	20.31	20.31	23.06	23.06	25.81	31.31	31.31	39.56
C	19.03	19.03	22.05	22.05	22.05	22.05	22.05	22.05	22.05	22.05
D	17.00	17.00	22.52	22.52	22.52	22.52	29.52	29.52	29.52	29.52
E	16.24	16.24	18.42	18.42	21.18	21.18	23.93	29.43	29.43	37.68
F	4.71	4.71	4.50	4.50	4.50	4.50	4.50	4.50	4.50	4.50
G	7.19	7.19	7.98	7.98	7.98	7.98	7.98	7.47	7.47	8.12
H	10.22	10.22	10.27	10.27	10.18	10.18	10.36	9.86	9.86	9.79
I	3.10	3.10	1.32	1.32	2.15	2.15	1.73	1.63	1.63	1.88
J	12.81	12.81	6.73	6.73	8.09	8.09	9.47	6.72	6.72	10.84
K	6.00	6.00	8.74	8.74	8.45	8.45	9.82	12.58	12.58	16.19
L	9.07	9.07	12.13	12.13	12.95	13.45	14.92	17.58	17.58	22.19
M	3.30	3.30	3.86	3.86	3.48	3.98	3.98	3.72	3.72	4.62
N	1.90	1.90	1.54	1.54	1.54	1.54	3.97	3.97	3.97	3.97
P	16.00	16.00	22.03	22.03	22.03	22.03	26.60	26.60	26.60	26.60
Q ②	40.19	40.19	45.83	45.83	45.83	45.83	45.83	45.83	46.83	46.83
R	28.19	28.19	33.83	33.83	33.83	33.83	33.83	33.83	34.83	34.83
Combustion Air Inlet Pipe	3	3	3	3	3	4	4	4	4	6
Vent Outlet Pipe	3	3	3	3	3	4	4	4	4	4
Gas Connection	1/2	1/2	1/2	1/2	1/2	1/2	1/2	3/4	3/4	3/4
Fan Diameter	14	14	18	18	20	20	22	24	24	26
Approx. Shipping Weight (lbs.)	93	103	125	128	165	165	215	265	265	310

① Do not use propeller units with duct work.

② Dimension equals overall plus 12".

DIMENSIONAL DATA - MODEL BTC

Figure 27.1 - Dimensional Drawings - Model BTC

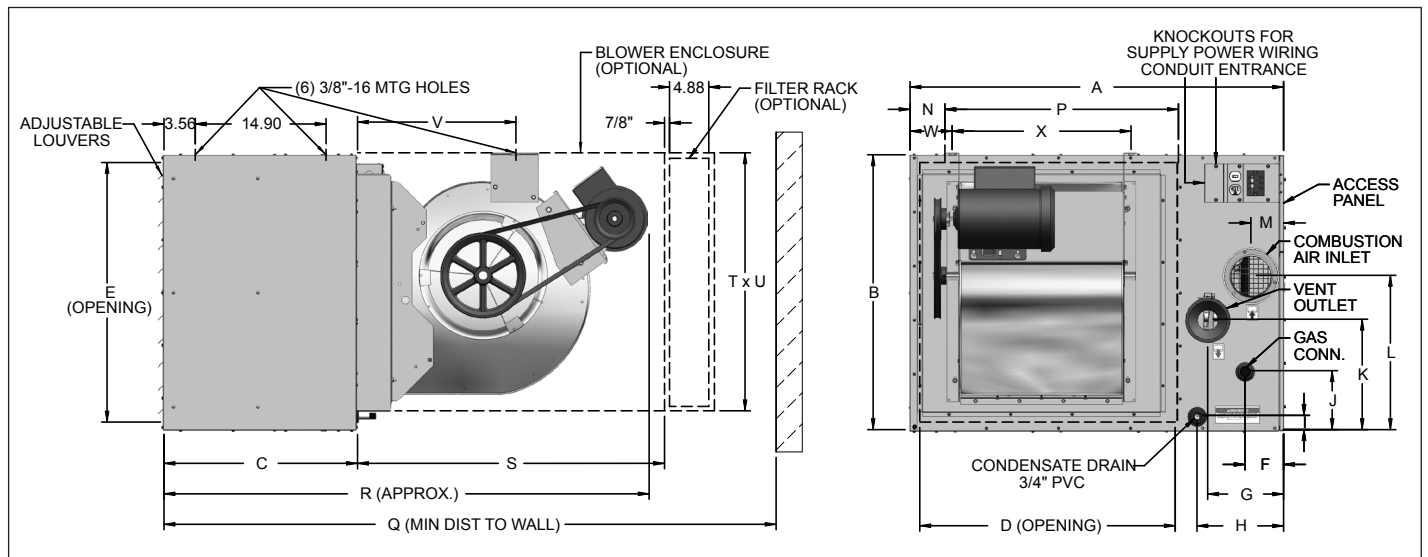


Table 27.1 - Dimensions (inches) - BTC

Models	BTC 215	BTC260	BTC310
A	42.53	42.53	42.53
B	31.31	31.31	39.56
C	22.05	22.05	22.05
D	29.52	29.52	29.52
E	29.43	29.43	37.68
F	4.50	4.50	4.50
G	7.47	7.47	8.12
H	9.86	9.86	9.79
I	1.63	1.63	1.88
J	6.72	6.72	10.84
K	12.58	12.58	16.19
L	17.58	17.58	22.19
M	3.72	3.72	4.62
N	3.97	3.97	3.97
P	26.60	26.60	26.60
Q (w/Blower Encl & Filter Rack)	79.68	79.68	79.68
Q (w/o Blower Encl & Filter Rack)	70.88	70.88	70.88
R ①	58.88	58.88	58.88
S	39.88	39.88	39.88
T	28.57	28.57	28.57
U	28.28	28.28	28.28
V	18.00	18.00	18.00
W	5.45	5.45	6.45
X	20.59	20.59	21.59
Combustion Air Inlet Pipe	4	4	6
Vent Outlet Pipe	4	4	4
Gas Connection	3/4	3/4	3/4
Blower	15-15	15-15	15-15
Approx. Shipping Weight (lbs.)	340	350	395

① This is an approximate dimension for standard motors, allow 3" for sheave and optional motors.

SERVICE / MAINTENANCE / TROUBLESHOOTING

WARNING

When servicing or repairing this equipment, use only factory-approved service replacement parts. A complete replacement parts list may be obtained by contacting the factory. Refer to the rating plate on the appliance for complete appliance model number, serial number, and company address. Any substitution of parts or controls not approved by the factory will be at the owner's risk.

CAUTION

1. Service or repair of this equipment must be performed by a qualified service agency.
2. Do not attempt to reuse any mechanical or electrical controllers which have been wet. Replace defective controller.

NOTE: To check most of the Possible Remedies in the troubleshooting guide listed in Table 29.1, refer to the applicable sections of the manual.

General Maintenance

The unit and venting system must be checked once a year by a qualified service technician.

All installation and service of these units must be performed by a qualified installation and service agency.

Before any service, BE SURE TO TURN OFF GAS AT THE MANUAL SHUT-OFF VALVE AHEAD OF THE COMBINATION GAS CONTROL AND TURN OFF ALL ELECTRIC POWER TO THE HEATER.

1. Service air moving components annually.
 - a. Check fan for fit on motor shaft and for damage to blades.
2. Keep unit free from dust, dirt, grease, and foreign matter, paying particular attention to:
 - a. Combustion air inlets.
 - b. Burners and burner orifices. Open the union on the gas line, and disconnect the igniter and sensor wires. Remove the screws that attach the burner tray to the header plate and remove the burner tray and manifold assembly from the heater. Carefully clean the burners with a wire brush or other suitable means. Replace any damaged or deteriorating burners or orifices. Verify that the burners are touching each other at the carryover points. This will ensure flame carryover from burner to burner. Install the burner assembly back on to the header making certain that all screws, pipes and electrical connections are tight.
 - c. Clean exterior of heat exchanger tubes. For cleaning the fins on the secondary heat exchanger, either use a soft brush and vacuum cleaner or use a compressed air hose through the discharge opening of the unit (the opening with the louvers) to blow the debris out of the fins.
 - d. Fan blades.
3. Inspect the flame sensor and igniter for deterioration and/or cracks.

CAUTION: Be careful when handling the igniter and flame sensor.
4. Check wiring for possible loose connections.
5. The gas valves and piping should be checked annually for general cleanliness and tightness. The gas controls should be checked to insure that the unit is operating properly. See control instruction sheets furnished separately with the unit heater.
6. The power exhaust motor bearings have been lubricated for long life and do not require additional lubrication. In dirty atmospheres, it may be desirable to clean the motors and blower housing and blow out the cooling air passages of the motor with compressed air.
7. Perform periodic cleaning of inlet and vent terminal screens.
8. Clean the condensate drain traps and refill with water.
9. If a condensate pump is being used with overhead condensate drain lines, inspect the pump for proper operation and maintain per the pump manufacturer's instructions. Replace the condensate pump treatment tablets if equipped.
10. If a condensate neutralizer tube is installed, recharge per the neutralizer tube manufacturer's instructions.
11. Check the condensate overflow switch for cleanliness and proper operation.

SERVICE / MAINTENANCE / TROUBLESHOOTING

Table 29.1 - Troubleshooting

TROUBLE	POSSIBLE CAUSE	POSSIBLE REMEDY
Unit does nothing (verify green light on side of junction box is lit)	<ol style="list-style-type: none"> 1. Power supply is off 2. No 24V power to thermostat 3. Thermostat malfunction 4. LED flashes 5. Blown fuse on control board 6. Defective control 	<ol style="list-style-type: none"> 1. Turn on main power 2 a. Check control transformer <ol style="list-style-type: none"> b. If failed transformer - check thermostat wire gage and length 3 a. Verify wire connections to R&W terminals only <ol style="list-style-type: none"> b. Check / replace thermostat 4. Check LED flash code 5. Replace fuse 6. Replace control
LED light on ignition controller in main control compartment off or flashing	<ol style="list-style-type: none"> 1. Multiple causes 	<ol style="list-style-type: none"> 1. Control board LED flash codes vary with control type. A decal is installed in the unit giving a brief description of the applicable codes for your heater. For more detail, see the control board data sheet included with this manual.
Unit starts but does not ignite (verify green and amber lights on side of junction box are lit)	<ol style="list-style-type: none"> 1. Main gas is off 2. Air in gas line 3. Main or manifold gas pressure 4. Check gas valve switch 5. Clogged condensate drain line 6. Tripped limit switch on power exhauster 	<ol style="list-style-type: none"> 1. Open manual gas valve 2. Purge gas line 3. Set gas pressures per manual instructions 4. Set gas valve switch to "ON" position 5. Check condensate drain line, clean as required 6. Inspect and reset limit switch if no unit damage found
Unit goes through cycle, but the burners go out in less than 10 seconds	<ol style="list-style-type: none"> 1. Reversed main power polarity 2. Unit not grounded 3. Flame not sensed 	<ol style="list-style-type: none"> 1. Black wire - HOT, white wire - NEUTRAL, green wire - GROUND 2. Ground unit and verify quality of ground connection 3. Check flame sensing probe and connection
Air circulating fan inoperable	<ol style="list-style-type: none"> 1. Loose connections 2. Defective control board 3. Defective fan motor 	<ol style="list-style-type: none"> 1. Check all connections 2. Check control board data sheet and function 3. Check fan motor

PAGE INTENTIONALLY LEFT BLANK

MODEL & SERIAL NUMBER / REPLACEMENT PARTS

Figure 31.1 - Model Number Designations (Remove access cover to locate)

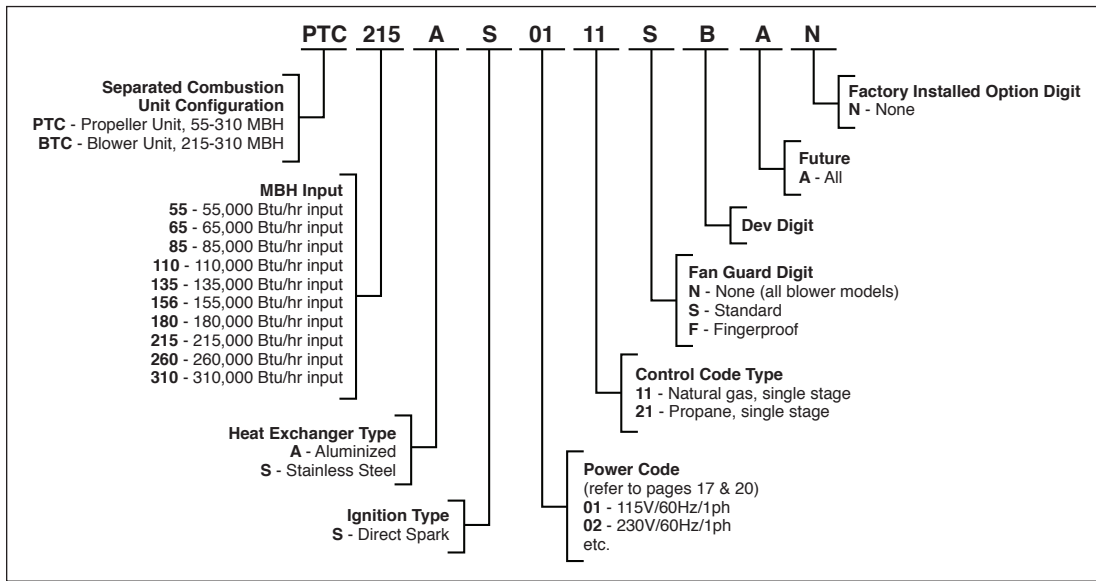
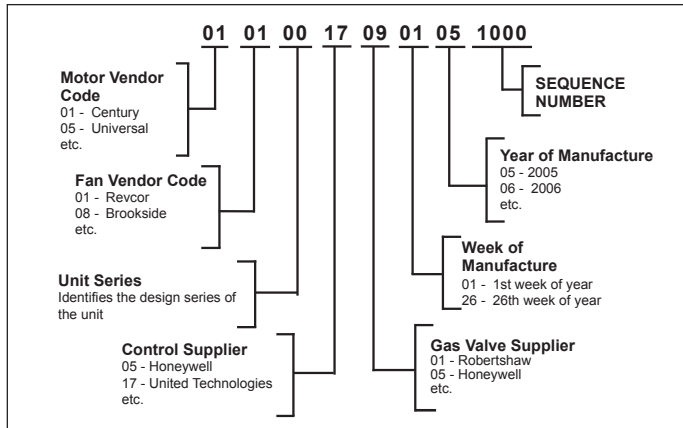


Figure 31.2 - Serial Number Designations (Remove access cover to locate)



Replacement Parts

When requesting parts please contact your local representative. Please have full model and serial number available. If you require assistance in locating your representative, please call the number located on the back page.

COMMERCIAL WARRANTY

Seller warrants its products to be free from defects in material and workmanship, EXCLUSIVE, HOWEVER, of failures attributable to the use of materials substituted under emergency conditions for materials normally employed. This warranty covers replacement of any parts furnished from the factory of Seller, but does not cover labor of any kind and materials not furnished by Seller, or any charges for any such labor or materials, whether such labor, materials or charges thereon are due to replacement of parts, adjustments, repairs, or any other work done. This warranty does not apply to any equipment which shall have been repaired or altered outside the factory of Seller in any way so as, in the judgment of Seller, to affect its stability, nor which has been subjected to misuse, negligence, or operating conditions in excess of those for which such equipment was designed. This warranty does not cover the effects of physical or chemical properties of water or steam or other liquids or gases used in the equipment.

BUYER AGREES THAT SELLER'S WARRANTY OF ITS PRODUCTS TO BE FREE FROM DEFECT IN MATERIAL AND WORKMANSHIP, AS LIMITED HEREIN, SHALL BE IN LIEU OF AND EXCLUSIVE OF ALL OTHER WARRANTIES, EITHER EXPRESS OR IMPLIED, WHETHER ARISING FROM LAW, COURSE OF DEALING, USAGE OF TRADE, OR OTHERWISE, THERE ARE NO OTHER WARRANTIES, INCLUDING WARRANTY OF MERCHANTABILITY OR FITNESS FOR PURPOSE, WHICH EXTEND BEYOND THE PRODUCT DESCRIPTION CONFIRMED BY BUYER AND SELLER AS OF THE DATE OF FINAL AGREEMENT.

This warranty is void if the input to the product exceeds the rated input as indicated on the product serial plate by more than 5% on gas-fired and oil-fired units, or if the product in the judgment of SELLER has been installed in a corrosive atmosphere, or subjected to corrosive fluids or gases, been subjected to misuse, negligence, accident, excessive thermal shock, excessive humidity, physical damage, impact, abrasion, unauthorized alterations, or operation contrary to SELLER'S printed instructions, or if the serial number has been altered, defaced or removed.

BUYER'S REMEDY FOR BREACH OF WARRANTY, EXCLUSIVE OF ALL OTHER REMEDIES PROVIDED BY LAW, IS LIMITED TO REPAIR OR REPLACEMENT AT THE FACTORY OF SELLER, ANY COMPONENT WHICH

SHALL, WITHIN THE APPLICABLE WARRANTY PERIOD DEFINED HEREIN AND UPON PRIOR WRITTEN APPROVAL, BE RETURNED TO SELLER WITH TRANSPORTATION CHARGES PREPAID AND WHICH THE EXAMINATION OF SELLER SHALL DISCLOSE TO HAVE BEEN DEFECTIVE; EXCEPT THAT WHEN THE PRODUCT IS TO BE USED BY BUYER AS A COMPONENT PART OF EQUIPMENT MANUFACTURED BY BUYER, BUYER'S REMEDY FOR BREACH, AS LIMITED HEREIN, SHALL BE LIMITED TO ONE YEAR FROM DATE OF SHIPMENT FROM SELLER. FOR GAS-FIRED PRODUCTS INSTALLED IN HIGH HUMIDITY APPLICATIONS AND UTILIZING STAINLESS STEEL HEAT EXCHANGERS, BUYER'S REMEDY FOR BREACH, AS LIMITED HEREIN, SHALL BE LIMITED TO TEN YEARS FROM DATE OF SHIPMENT FROM SELLER.

These warranties are issued only to the original owner-user and cannot be transferred or assigned. No provision is made in these warranties for any labor allowance or field labor participation. Seller will not honor any expenses incurred in its behalf with regard to repairs to any of Seller's products. No credit shall be issued for any defective part returned without proper written authorization (including, but not limited to, model number, serial number, date of failure, etc.) and freight prepaid.

OPTIONAL SUPPLEMENTAL WARRANTY

Provided a supplemental warranty has been purchased, Seller extends the warranty herein for an additional four (4) years on certain compressors. Provided a supplemental warranty has been purchased, Seller extends the warranty herein for an additional four (4) years or nine (9) years on certain heat exchangers.

EXCLUSION OF CONSUMABLES & CONDITIONS BEYOND SELLER'S CONTROL

The above referenced warranty shall not be applicable to any of the following items: refrigerant gas, belts, filters, fuses and other items consumed or worn out by normal wear and tear or conditions beyond Seller's control, including (without limitation as to generality) polluted or contaminated or foreign matter contained in the air or water utilized for heat exchanger (condenser) cooling or if the failure of the part is caused by improper air or water supply, or improper or incorrect sizing of power supply.

Component Applicable Models	"APPLICABLE WARRANTY PERIOD"
<u>Heat Exchangers</u> Gas-Fired Unit Heaters	TEN YEARS FROM DATE OF FIRST BENEFICIAL USE BY BUYER OR ANY OTHER USER, WITHIN TEN YEARS FROM DATE OF RESALE BY BUYER OR ANY OTHER USER, WITHIN TEN YEARS FROM DATE OF RESALE BY BUYER IN ANY UNCHANGED CONDITION, OR WITHIN ONE HUNDRED TWENTY-SIX MONTHS FROM DATE OF SHIPMENT FROM SELLER, WHICHEVER OCCURS FIRST
<u>Heat Exchangers</u> Low Intensity Infrared Units <u>Compressors</u> Condensing Units for Cassettes	FIVE YEARS FROM DATE OF FIRST BENEFICIAL USE BY BUYER OR ANY OTHER USER, WITHIN FIVE YEARS FROM DATE OF RESALE BY BUYER OR ANY OTHER USER, WITHIN FIVE YEARS FROM DATE OF RESALE BY BUYER IN ANY UNCHANGED CONDITION, OR WITHIN SIXTY-SIX MONTHS FROM DATE OF SHIPMENT FROM SELLER, WHICHEVER OCCURS FIRST
<u>Burners</u> Low Intensity Infrared Units <u>Other</u> Components excluding Heat Exchangers, Coils, Condensers, Burners, Sheet Metal	TWO YEARS FROM DATE OF FIRST BENEFICIAL USE BY BUYER OR ANY OTHER USER, WITHIN TWO YEARS FROM DATE OF RESALE BY BUYER IN ANY UNCHANGED CONDITION, OR WITHIN THIRTY MONTHS FROM DATE OF SHIPMENT FROM SELLER, WHICHEVER OCCURS FIRST
<u>Heat Exchangers/Coils</u> Indoor and Outdoor Duct Furnaces and System Units, Steam/Hot Water Units, Oil-Fired Units, Electric Units, Cassettes, Vertical Unit Ventilators, Geothermal Units <u>Compressors</u> Vertical Unit Ventilators <u>Burners</u> High Intensity Infrared Units, Geothermal Units <u>Sheet Metal Parts</u> All Products	ONE YEAR FROM DATE OF FIRST BENEFICIAL USE BY BUYER OR ANY OTHER USER, WITHIN ONE YEAR FROM DATE OF RESALE BY BUYER IN ANY UNCHANGED CONDITION, OR WITHIN EIGHTEEN MONTHS FROM DATE OF SHIPMENT FROM SELLER, WHICHEVER OCCURS FIRST

As Modine Manufacturing Company has a continuous product improvement program, it reserves the right to change design and specifications without notice.



Modine Manufacturing Company
 1500 DeKoven Avenue
 Racine, WI 53403
 Phone: 1.800.828.4328 (HEAT)
 www.modinevac.com