



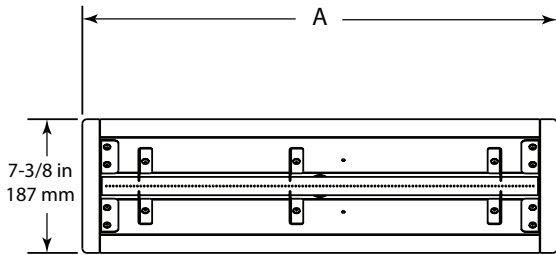
Please consult the manufacturer's installation manual for all details and requirements before making a final design layout decision.

Plaza

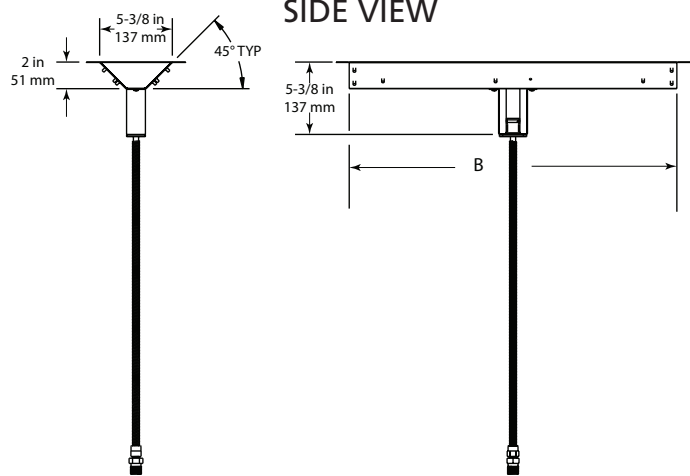
Linear Gas Fire Pit

MODEL	LENGTH	WIDTH	DEPTH	VIEWING AREA	BTU/HR INPUT
PLAZA-24S	24" [610]	5-3/8" [137]	5-3/8" [137]	24" x 5-3/8" [613 x 137]	32,000

TOP VIEW

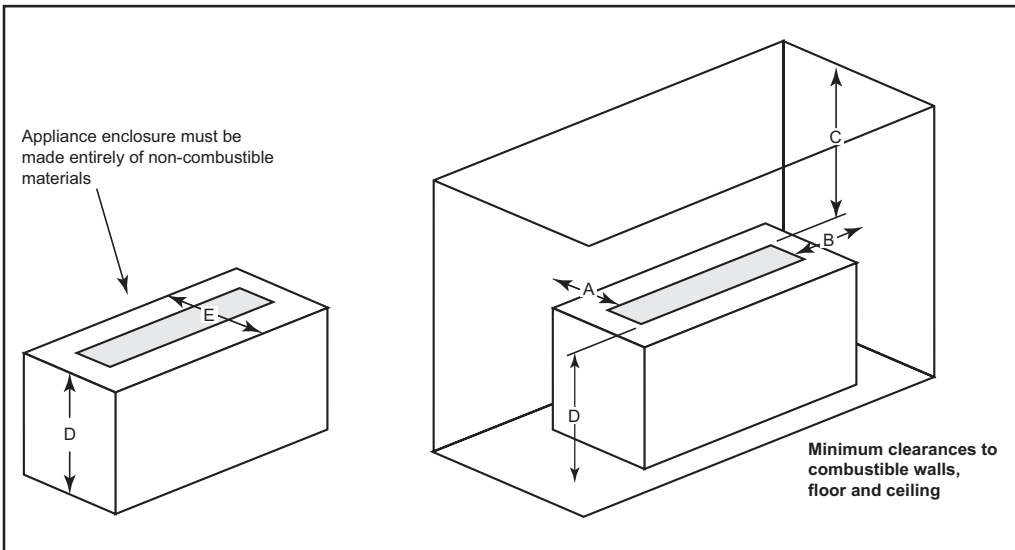


SIDE VIEW



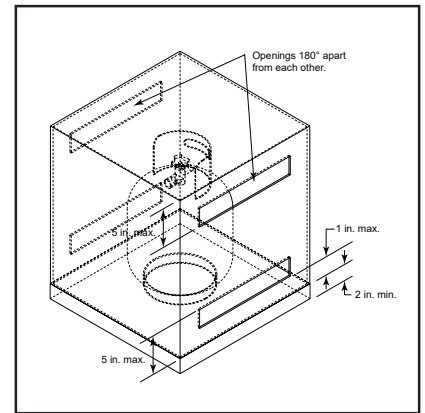
	Starter Kit	Starter +1 extension	Starter + 2 extensions	Starter + 3 extensions	Starter + 4 extensions
A	26 in (660 mm)	50 in (1270 mm)	74 in (1880 mm)	98 in (2489 mm)	122 in (3099 mm)
B	24 in (610 mm)	48 in (1219 mm)	72 in (1829 mm)	96 in (2438 mm)	120 in (3048 mm)

CLEARANCE TO COMBUSTIBLES



		A	B	C	D	E
ODPLAZA-L24S	in	17	17	45	8	8
	mm	432	432	1143	203	203

PROPANE ENCLOSURE



PRODUCT LISTING CODES	
US	ANSI Z21.97-2014
CAN	CSA 2.41-2014

Additional information can be found online at www.fireplaces.com.

Product information provided is not complete and is subject to change without notice. Product installation must adhere strictly to instructions accompanying product to avoid risk of fire and potential injury.

Additional information can be found online at www.fireplaces.com



A brand of Hearth & Home Technologies Inc.
fireplaces.com | 888-427-3973

