

# Thermostat Sensor Installation Instructions for use with Vent Free Millivolt Control Log Sets, Stoves and Fireplaces

**IMPORTANT:** Read these instructions carefully before beginning installation.

Check your Homeowner's Manual or with your dealer to verify that this option is acceptable for use with your log set or fireplace system.

## FOR YOUR SAFETY

Do not store or use gasoline or other flammable vapors and liquids in the vicinity of this or any other appliance.

### Kit contents:

- 1, Bracket
- 3, Screw
- 1, Wiring harness
- 1, Knob
- 1, T-Stat sensor
- 1, Plastic clip
- 1, Label
- 1, Velcro®

Check to see that you have all parts in the kit.

**Tools required:** Phillips screwdriver

### Install T-Stat Sensor on Log Set

1. Remove metal bracket and label from box.
2. Peel away the paper backing on the label. Align holes in label with holes on the bracket. Right side of label should be flush with right side of bracket. *Figure 1.* Press label firmly and smoothly to bracket.
3. Using a Phillips screwdriver, install t-stat sensor to bracket with two (2) screws provided. *Figure 2.* Make sure the thermo bulb wire is at the bottom of t-stat sensor.
4. Plug in wiring harnesses to back of t-stat sensor. *Figure 2*
5. Route wiring harnesses through large hole on side of DEB unit. Mount bracket to side of unit with screw provided. *Figure 3*

**WARNING**

Turn off unit and allow to cool before beginning installation

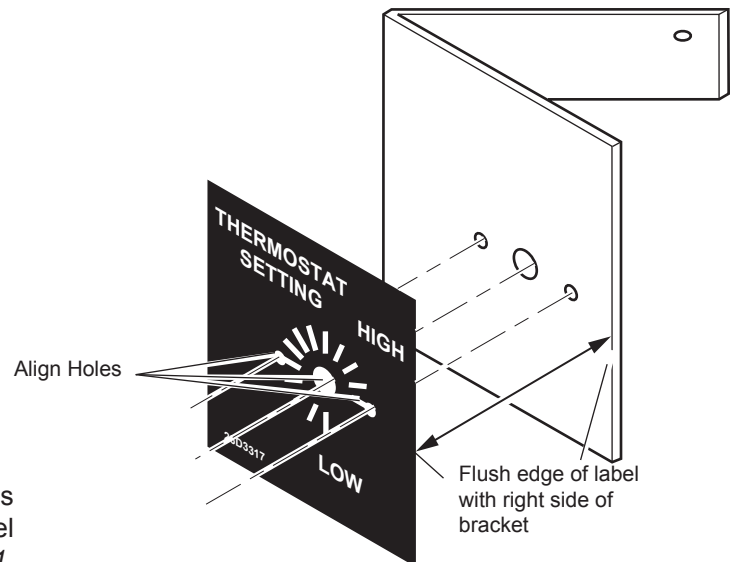
**WARNING**

Improper installation, adjustment, alteration, service or maintenance can cause injury or property damage. Refer to these instructions. For assistance or additional information, consult a qualified installer, service agency or the gas supplier.

## FOR YOUR SAFETY

### WHAT TO DO IF YOU SMELL GAS

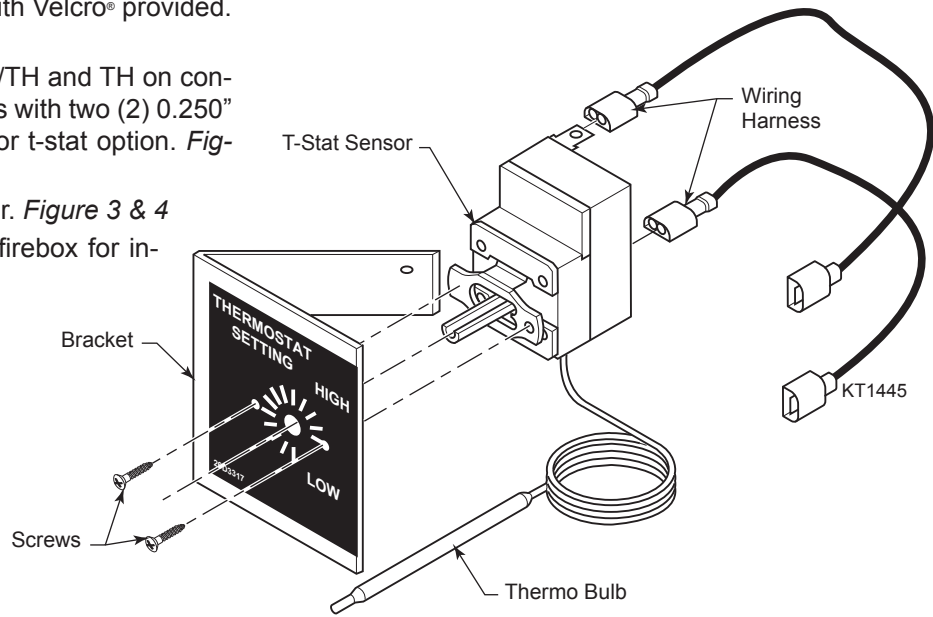
1. Shut off the gas to the appliance.
2. Extinguish any flame.
3. If odor continues, immediately call your gas supplier.



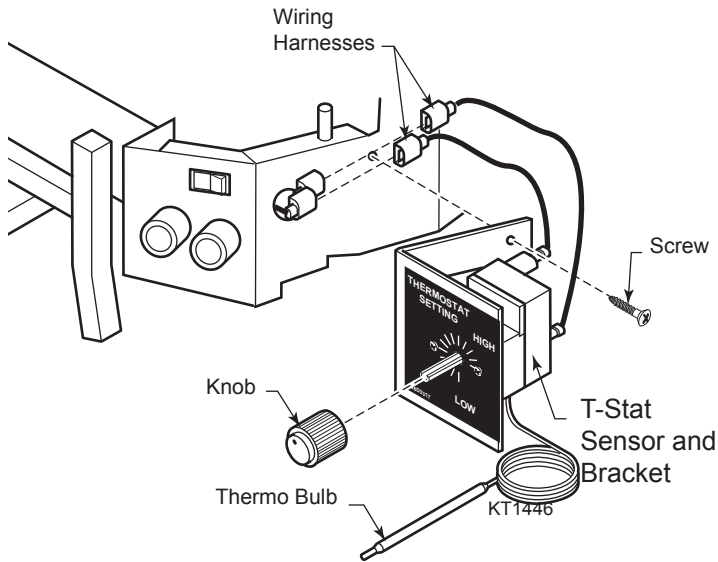
**Figure 1 -  
Apply Label to Bracket**

On all other log sets, peel off Velcro® backings. Stick one (1) piece of Velcro® to unit and one (1) piece to bracket. Attach sensor bracket to unit with Velcro® provided. *Figure 4*

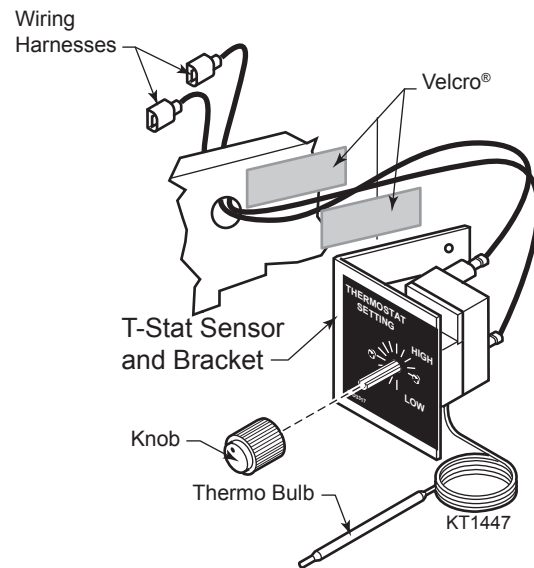
6. Attach wiring harness to either TP/TH and TH on control valve or existing wiring harness with two (2) 0.250" male spade terminals for remote or t-stat option. *Figure 5*
7. Install knob to shaft of t-stat sensor. *Figure 3 & 4*
8. Place thermo bulb in front of the firebox for incoming air.



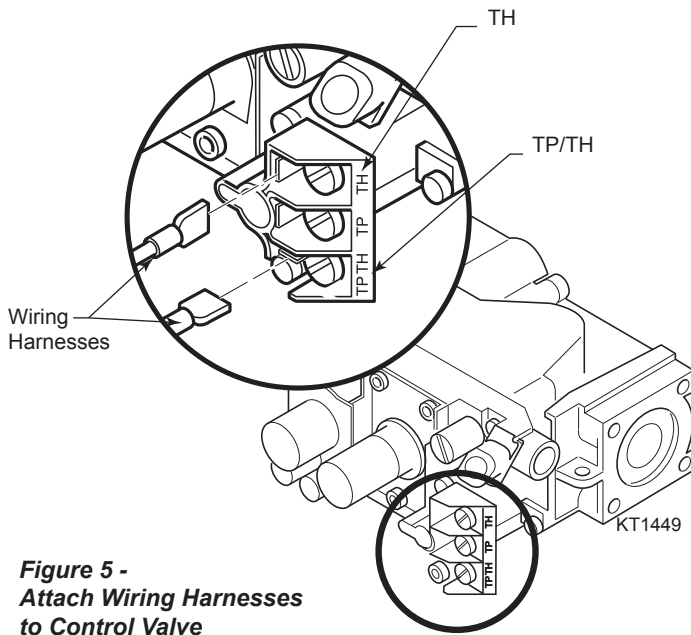
**Figure 2 -  
Install T-Stat Sensor and Wiring Harnesses**



**Figure 3 -  
Install T-Stat Sensor to DEB  
Base with Screw Provided**



**Figure 4 -  
Install T-Stat Sensor to  
Log Set with Velcro®**

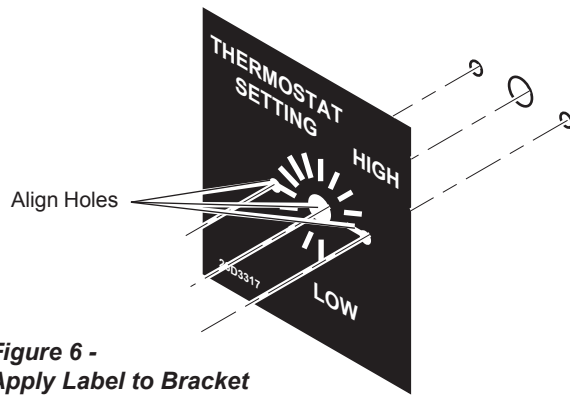


**Figure 5 - Attach Wiring Harnesses to Control Valve**

### Install T-Stat Sensor on Stoves or Fireplace Systems

**NOTE:** You will not need the bracket, Velcro® and one of the screws included in kit to install the t-stat sensor to fireplace systems. Label will be needed only for DIS/ISD systems.

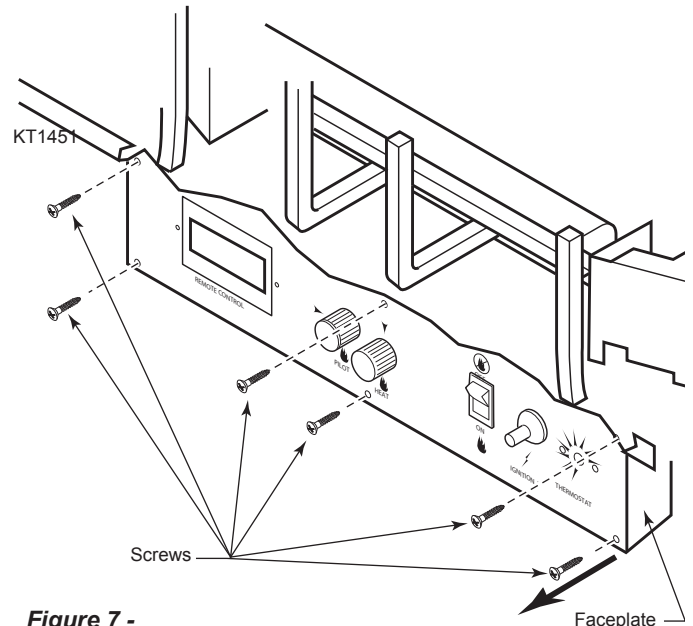
1. For DIS/ISD systems: Peel away the paper backing on the label. Align the holes in label with holes on the bracket located at the left of the faceplate. Press label firmly and smoothly to bracket. *Figure 6*



**Figure 6 - Apply Label to Bracket**

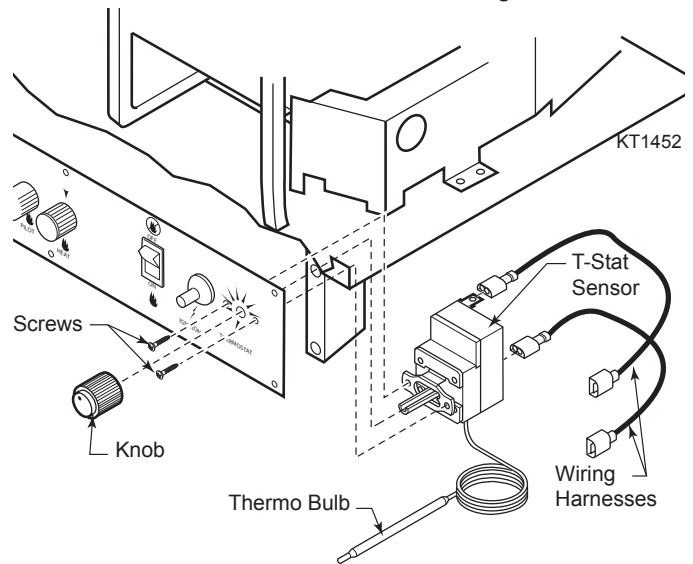
2. You may remove the faceplate or the entire base to install the t-stat sensor. To remove the base, refer to Homeowner's Manual. Do not remove the faceplate if you remove the base. Do not remove base for DIS/ISD units. Remove the faceplate by removing the six (6) screws or by lifting it up and pulling away. This will allow you to move the faceplate away from the unit about 3" to 4". *Figure 7*

3. Slip the t-stat sensor behind the faceplate or bracket. Attach the t-stat sensor to the faceplate with two (2) screws provided. Make sure the thermo bulb wire is on the bottom of the t-stat sensor. *Figure 8*
4. Attach wiring harnesses to back of t-stat sensor. *Figure 8*. Attach the other ends of the harness to either TP/TH and TH on control valve or to existing wiring harness with two (2) 0.250" male spade terminals for remote t-stat operation. *Figure 5*

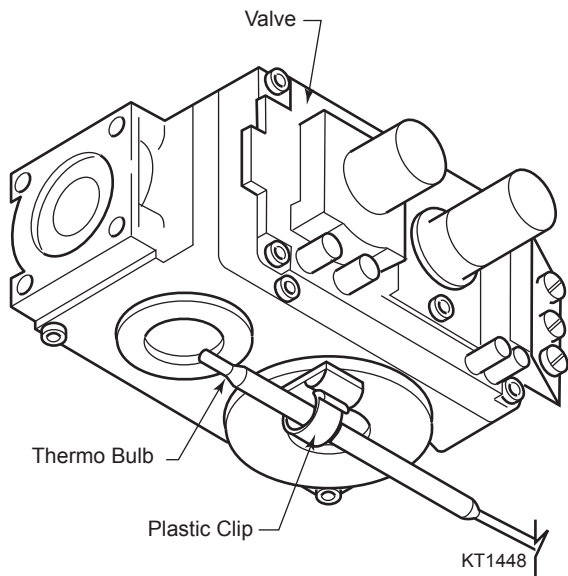


**Figure 7 - Remove Faceplate from Fireplace Base**

5. Remove adhesive backing from plastic clip. Press clip to bottom of valve. Clip thermo bulb into plastic clip. *Figure 9*
6. Reattach faceplate or reinstall base.
7. Install knob to shaft of t-stat sensor. *Figure 8*



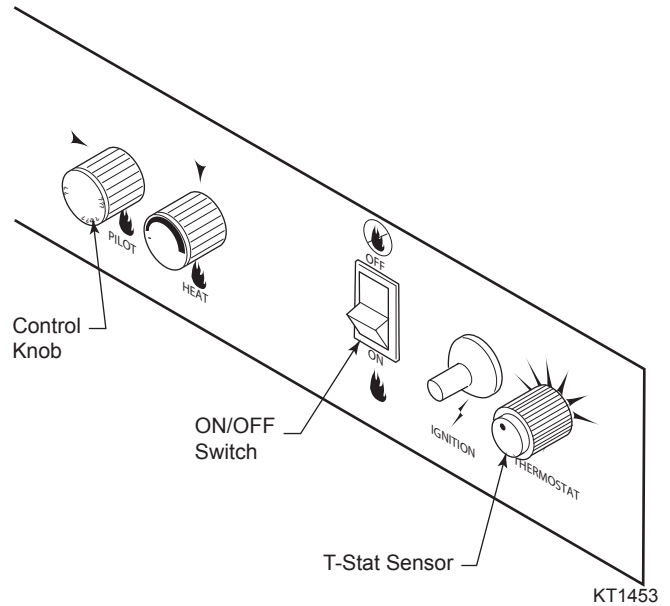
**Figure 8 - Install T-Stat Sensor and Control Knob**



**Figure 9 -  
Clip Thermo Bulb into Plastic Clip**

## THERMOSTAT SENSOR OPERATION

1. Follow millivolt lighting instructions on lighting plate attached to unit or in Homeowner's Manual.
2. With control knob in the "ON" position, make sure the ON/OFF switch is in the "OFF" position. *Figure 10*
3. The unit is now being controlled by the thermostat sensor. The sensor will now cycle the burners on and off. You can adjust how often the unit cycles by turning the control knob on the sensor.



**Figure 10 -  
Control Knob in "ON" Position  
and ON/OFF Switch in "OFF"  
Position**

## Vermont Castings Group

149 Cleveland Drive • Paris, Kentucky 40361  
www.vermontcastingsgroup.com