



VFI Surround Installation Instructions

Models: VFICFSS, VFICFSL



WARNING: Turn appliance OFF and allow to cool before servicing. Only a qualified service person should service and repair this insert. A qualified service person must connect and disconnect the insert to/from the gas supply. Follow all local codes.

KIT CONTENTS:

- Two (2) side panels
- One (1) top panel
- One (1) bracket
- Two (2) pan head screws
- Ten (10) #8 hex head screws

INSTALLATION INSTRUCTIONS:

1. Remove the three (3) front panels and mounting hardware from packaging.
2. Install one side panel with two (2) #8 screws onto the side of the insert *Figure 1*. Do not overtighten screws.
3. Repeat Step 2 to install the other side panel.
4. To install the top panel, secure the bracket to the rear of the top panel with three (3) #8 screws. *Figure 2*.
5. Install the top face by inserting the bracket under the unit's top outer wrapper and aligning the three holes. Use three (3) #8 screws to secure.
6. Secure the top to the sides by aligning the holes located on the side of the face and secure with one (1) pan head screw, being careful not to overtighten.
7. Repeat on the other side.
8. Connect fireplace to gas supply as instructed in homeowner's manual. Power cord may be routed to the left or right side. Refer to homeowner's manual for instructions.

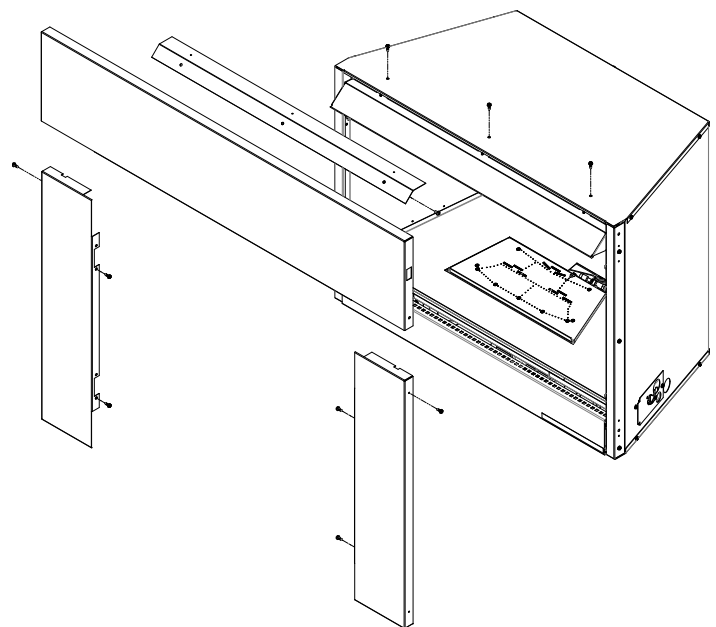


Figure 1

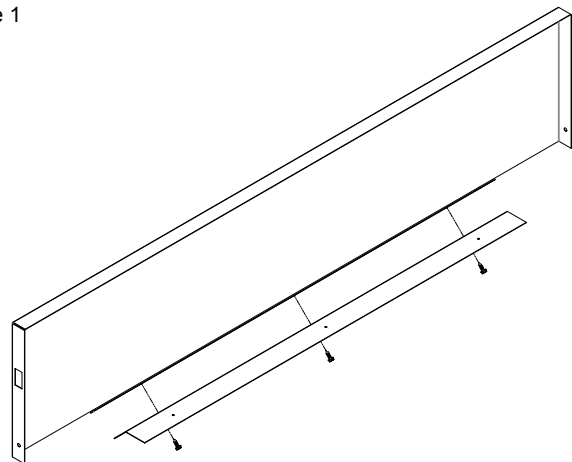


Figure 2

⚠ WARNING

Only persons licensed to work with natural or liquid propane gas may make the necessary gas connections to this appliance.