

## 7.9 optional NZ64 blower installation

### **!** WARNING

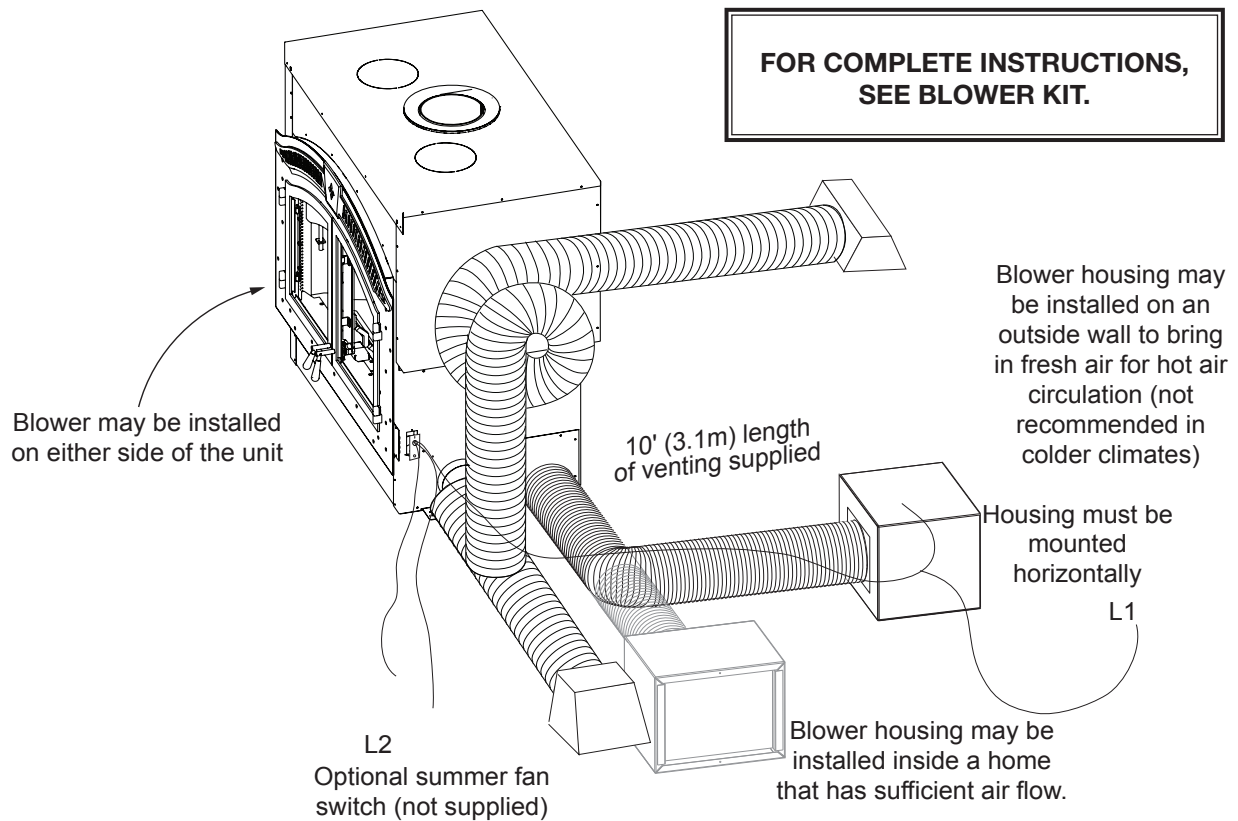
- All wiring should be done by a qualified electrician and shall be in compliance with local codes and with the National Electric Code ANSI/NF No. 70-Current (in the United States), or with the current CSC22.1 Canadian Electric Code (in Canada).

**note:**

Consideration should be made for blower location as the closer to the appliance, the greater the air flow noise will be. Blower may be installed on either side of the appliance.

Route a 120 Volt, 60Hz electrical supply (not supplied) from the electrical box on the side of the appliance to the electrical box on the blower housing.

The appliance comes complete with a safety switch and a thermally activated switch.



- Remove the template.
- Position the blower to an inside or outside wall into a framed opening  $12 \frac{3}{8}$ " (314mm) wide by  $10 \frac{1}{2}$ " (267mm) high. (Outside wall not recommended in colder climates as cold air may be drawn into the house when the appliance is off.)

**note:**

The blower housing should be installed onto a level surface large enough to support the blower assembly.

Allow for finishing material when securing the blower housing, as the grill mounts to the housing.

