

**INSTALLER: LEAVE THIS MANUAL WITH THE APPLIANCE.**  
**CONSUMER: RETAIN THIS MANUAL FOR FUTURE REFERENCE.**  
**NEVER LEAVE CHILDREN OR OTHER AT RISK INDIVIDUALS ALONE WITH THE APPLIANCE**



# INSTALLATION AND OPERATING INSTRUCTIONS

CERTIFIED UNDER CANADIAN AND AMERICAN NATIONAL STANDARDS: ANSI Z21.50 • CSA 2.22 FOR VENTED GAS FIREPLACES.

CERTIFIED FOR CANADA AND UNITED STATES USING ANSI/CSA METHODS.

## SAFETY INFORMATION

### **WARNING**

If the information in these instructions are not followed exactly, a fire or explosion may result causing property damage, personal injury or loss of life.

- Do not store or use gasoline or other flammable vapors and liquids in the vicinity of this or any other appliance.
- **WHAT TO DO IF YOU SMELL GAS:**
  - Do not try to light any appliance.
  - Do not touch any electrical switch; do not use any phone in your building.
  - Immediately call your gas supplier from a neighbour's phone. Follow the gas supplier's instructions.
  - If you cannot reach your gas supplier, call the fire department.
- Installation and service must be performed by a qualified installer, service agency or the supplier.

This appliance may be installed in an aftermarket, permanently located, manufactured home (USA only) or mobile home, where not prohibited by local codes.

This appliance is only for use with the type of gas indicated on the rating plate. This appliance is not convertible for use with other gases, unless a certified kit is used.

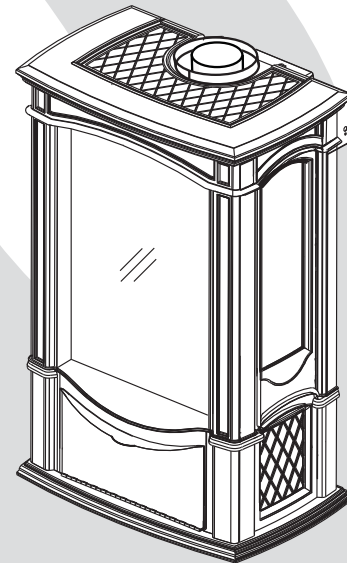


## GDS26N

NATURAL GAS

## GDS26P

PROPANE



### **WARNING**

**HOT GLASS WILL CAUSE BURNS.**

**DO NOT TOUCH GLASS UNTIL COOLED.**

**NEVER ALLOW CHILDREN TO TOUCH GLASS.**



Wolf Steel Ltd., 24 Napoleon Rd., Barrie, ON, L4M 0G8 Canada /  
103 Miller Drive, Crittenden, Kentucky, USA, 41030

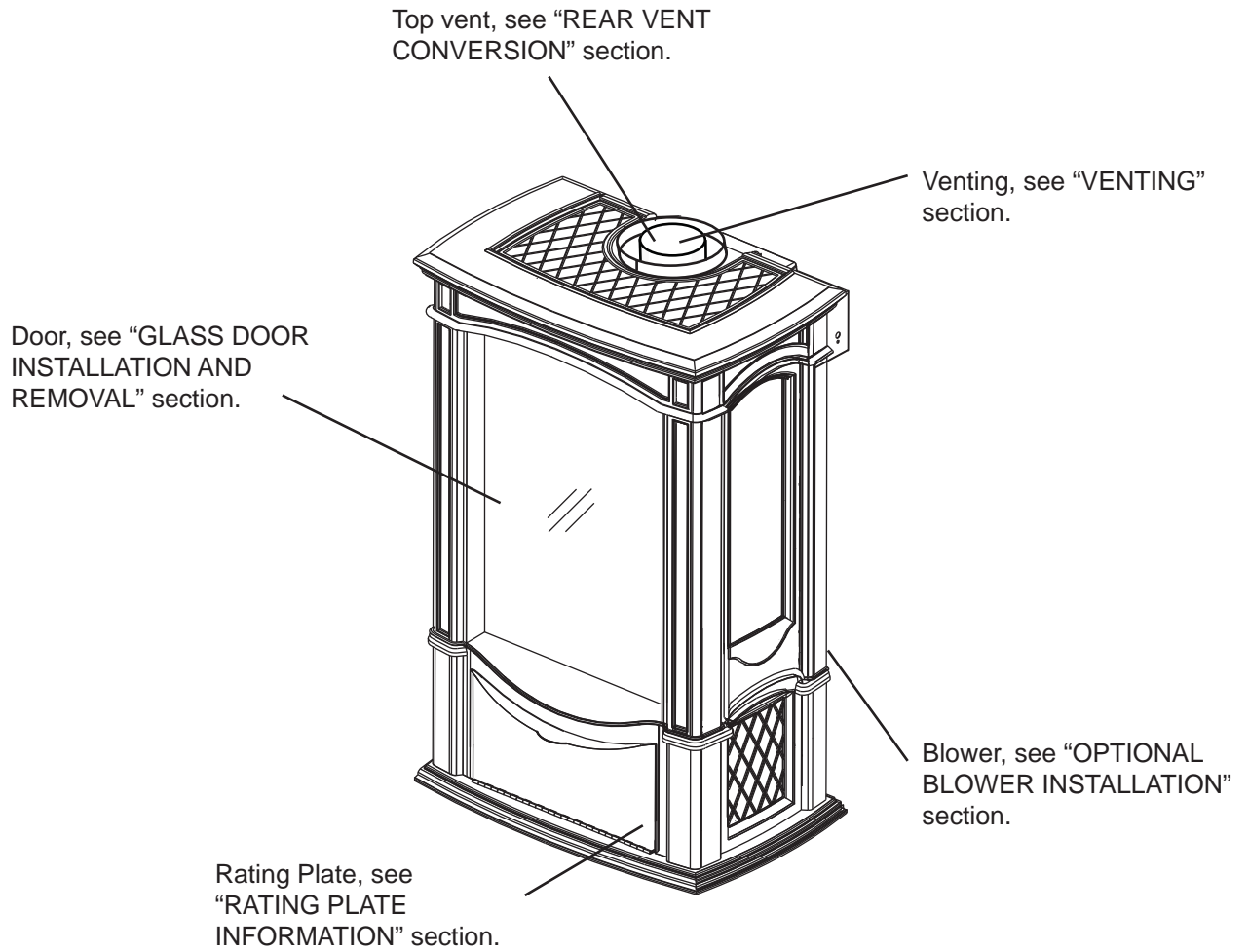
Phone (705)721-1212 • Fax (705)722-6031 • [www.napoleonfireplaces.com](http://www.napoleonfireplaces.com) • [ask@napoleonproducts.com](mailto:ask@napoleonproducts.com)

# TABLE OF CONTENTS

<b>1.0</b>	<b>INSTALLATION OVERVIEW</b>	<b>3</b>
<b>2.0</b>	<b>INTRODUCTION</b>	<b>4</b>
2.1	DIMENSIONS	5
2.2	GENERAL INSTRUCTIONS	5
2.3	GENERAL INFORMATION	6
2.4	RATING PLATE INFORMATION	7
<b>3.0</b>	<b>VENTING</b>	<b>8</b>
3.1	VENTING LENGTHS AND COMPONENTS	8
3.2	TYPICAL VENT INSTALLATION	9
3.3	SPECIAL VENT INSTALLATIONS	11
3.3.1	PERISCOPE TERMINATION	11
3.3.2	CORNER TERMINATION	11
3.4	MINIMUM AIR TERMINAL LOCATION CLEARANCES	12
3.5	VENTING APPLICATION FLOW CHART	13
3.6	DEFINITIONS	13
3.7	ELBOW VENT LENGTH VALUES	14
3.8	TOP EXIT HORIZONTAL TERMINATION	14
3.9	REAR EXIT HORIZONTAL TERMINATION	16
3.10	TOP OR REAR EXIT VERTICAL TERMINATION	18
3.11	VERTICAL THROUGH EXISTING CHIMNEY	21
3.12	REAR VENT CONVERSION	22
<b>4.0</b>	<b>INSTALLATION</b>	<b>23</b>
4.1	WALL AND CEILING PROTECTION	23
4.1.1	HORIZONTAL INSTALLATION	24
4.1.2	VERTICAL INSTALLATION	24
4.1.3	APPLIANCE VENT CONNECTION	25
4.1.4	HORIZONTAL AIR TERMINAL INSTALLATION	25
4.1.5	EXTENDED HORIZONTAL AND CORNER TERMINAL INSTALLATION	26
4.1.6	VERTICAL AIR TERMINAL INSTALLATION	27
4.2	MOBILE HOME INSTALLATION	28
4.3	GAS INSTALLATION	29
4.4	MINIMUM CLEARANCE TO COMBUSTIBLES	30
<b>5.0</b>	<b>ELECTRICAL CONNECTION</b>	<b>32</b>
5.1	WIRING DIAGRAM	32
<b>6.0</b>	<b>FINISHING</b>	<b>33</b>
6.1	GLASS DOOR	33
6.2	DOOR GLASS REPLACEMENT	34
6.3	LOG PLACEMENT	34
6.4	CHARCOAL EMBERS	35
6.5	VERMICULITE	35
6.6	GLOWING EMBERS	35
6.7	LOGO PLACEMENT	35
<b>7.0</b>	<b>OPTIONAL BLOWER INSTALLATION</b>	<b>36</b>
<b>8.0</b>	<b>OPERATION</b>	<b>37</b>
8.1	SWITCH FUNCTIONS	37
<b>9.0</b>	<b>ADJUSTMENTS</b>	<b>38</b>
9.1	PILOT INJECTOR AND ORIFICE REPLACEMENT	38
9.2	PRESSURE CHECK	38
9.3	FLAME CHARACTERISTICS	39
9.4	VENTURI ADJUSTMENT	39
9.5	RESTRICTING VERTICAL VENTS	39
<b>10.0</b>	<b>MAINTENANCE</b>	<b>40</b>
10.1	NIGHT LIGHT™ REPLACEMENT	40
10.1.1	BULB REPLACEMENT	40
10.1.2	LENS ASSEMBLY INSTALLATION	41
10.1.3	LENS ASSEMBLY REPLACEMENT	41
10.2	CARE OF GLASS	41
<b>11.0</b>	<b>REPLACEMENTS</b>	<b>42</b>
<b>12.0</b>	<b>TROUBLESHOOTING</b>	<b>46</b>
<b>13.0</b>	<b>WARRANTY</b>	<b>49</b>
<b>14.0</b>	<b>SERVICE HISTORY</b>	<b>50</b>

**NOTE: Changes, other than editorial, are denoted by a vertical line in the margin.**

# 1.0 INSTALLATION OVERVIEW



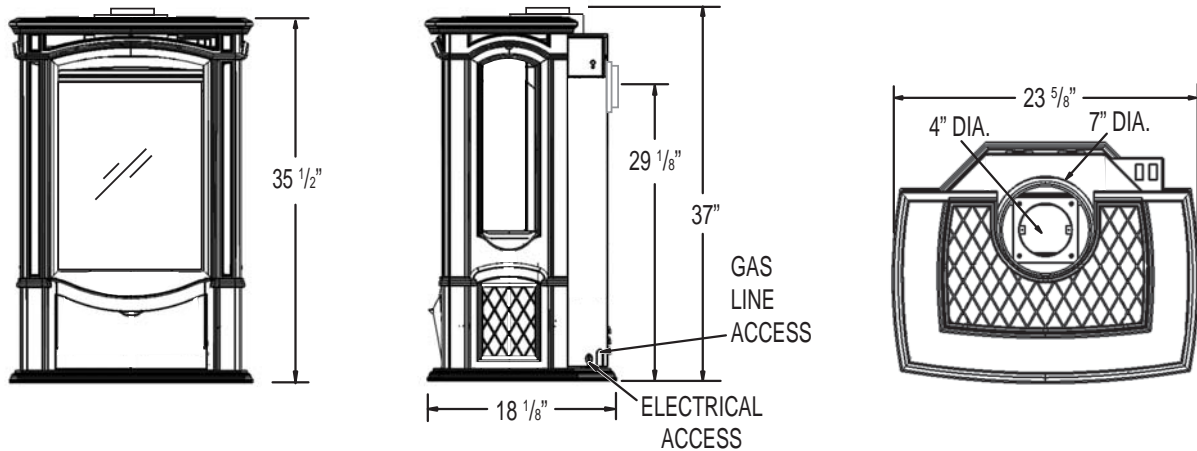
## 2.0 INTRODUCTION

### WARNING

- **THIS APPLIANCE IS HOT WHEN OPERATED AND CAN CAUSE SEVERE BURNS IF CONTACTED.**
- **ANY CHANGES TO THIS APPLIANCE OR IT'S CONTROLS CAN BE DANGEROUS AND IS PROHIBITED.**
- Do not operate appliance before reading and understanding operating instructions. Failure to operate appliance according to operating instructions could cause fire or injury.
- Risk of fire or asphyxiation do not operate appliance with fixed glass removed.
- Do not connect 110 volts to the control valve.
- Risk of burns. The appliance should be turned off and cooled before servicing.
- Do not install damaged, incomplete or substitute components.
- Risk of cuts and abrasions. Wear protective gloves and safety glasses during installation. Sheet metal edges may be sharp.
- Do not burn wood or other materials in this appliance.
- Children and adults should be alerted to the hazards of high surface temperature and should stay away to avoid burns or clothing ignition.
- Young children should be carefully supervised when they are in the same room as the appliance. Toddlers, young children and others may be susceptible to accidental contact burns. A physical barrier is recommended if there are at risk individuals in the house. To restrict access to an appliance or stove, install an adjustable safety gate to keep toddlers, young children and other at risk individuals out of the room and away from hot surfaces.
- Clothing or other flammable material should not be placed on or near the appliance.
- Due to high temperatures, the appliance should be located out of traffic and away from furniture and draperies.
- Ensure you have incorporated adequate safety measure to protect infants/toddlers from touching hot surfaces.
- Even after the appliance is out, the glass and/or screen will remain hot for an extended period of time.
- Check with your local hearth specialty dealer for safety screens and hearth guards to protect children from hot surfaces. These screens and guards must be fastened to the floor.
- Any safety screen or guard removed for servicing must be replaced prior to operating the appliance.
- The appliance is a vented gas-fired appliance. Do not burn wood or other materials in the appliance.
- It is imperative that the control compartments, burners and circulating blower and its passageway in the appliance and venting system are kept clean. The appliance and its venting system should be inspected before use and at least annually by a qualified service person. More frequent cleaning may be required due to excessive lint from carpeting, bedding material, etc. The appliance area must be kept clear and free from combustible materials, gasoline and other flammable vapors and liquids.
- Under no circumstances should this appliance be modified.
- This appliance must not be connected to a chimney flue pipe serving a separate solid fuel burning appliance.
- Do not use this appliance if any part has been under water. Immediately call a qualified service technician to inspect the appliance and to replace any part of the control system and any gas control which has been under water.
- Do not operate the appliance with the glass door removed, cracked or broken. Replacement of the glass should be done by a licensed or qualified service person.
- Do not strike or slam shut the appliance glass door.
- When equipped with pressure relief doors, they must be kept closed while the appliance is operating to prevent exhaust fumes containing carbon monoxide, from entering into the home. Temperatures of the exhaust escaping through these openings can also cause the surrounding combustible materials to overheat and catch fire. Only doors / optional fronts certified with the unit are to be installed on the appliance.
- Only doors / optional fronts certified with the unit are to be installed on the appliance.
- Keep the packaging material out of reach of children and dispose of the material in a safe manner. As with all plastic bags, these are not toys and should be kept away from children and infants.
- As with any combustion appliance, we recommend having your appliance regularly inspected and serviced as well as having a Carbon Monoxide Detector installed in the same area to defend you and your family against Carbon Monoxide.
- Ensure clearances to combustibles are maintained when building a mantel or shelves above the appliance. Elevated temperatures on the wall or in the air above the appliance can cause melting, discolouration or damage to decorations, a T.V. or other electronic components.
- This appliance uses and requires a fast acting thermocouple. Replace only with a fast acting thermocouple supplied by Wolf Steel Ltd.

3.1C

## 2.1 DIMENSIONS



## 2.2 GENERAL INSTRUCTIONS

<b>! WARNING</b>
<b>ALWAYS LIGHT THE PILOT WHETHER FOR THE FIRST TIME OR IF THE GAS SUPPLY HAS RUN OUT, WITH THE GLASS DOOR OPENED OR REMOVED.</b>
<b>PROVIDE ADEQUATE CLEARANCE FOR SERVICING AND OPERATING THE APPLIANCE.</b>
<b>PROVIDE ADEQUATE VENTILATION.</b>
<b>NEVER OBSTRUCT THE FRONT OPENING OF THE APPLIANCE.</b>
<b>OBJECTS PLACED IN FRONT OF THE APPLIANCE MUST BE KEPT A MINIMUM OF 48" FROM THE FRONT FACE OF THE APPLIANCE.</b>
<b>SURFACES AROUND AND ESPECIALLY ABOVE THE APPLIANCE CAN BECOME HOT. AVOID CONTACT WHEN THE APPLIANCE IS OPERATING.</b>
<b>FIRE RISK. EXPLOSION HAZARD.</b>
<b>HIGH PRESSURE WILL DAMAGE VALVE. DISCONNECT GAS SUPPLY PIPING BEFORE PRESSURE TESTING GAS LINE AT TEST PRESSURES ABOVE 1/2 PSIG. CLOSE THE MANUAL SHUT-OFF VALVE BEFORE PRESSURE TESTING GAS LINE AT TEST PRESSURES EQUAL TO OR LESS THAN 1/2 PSIG.</b>
<b>USE ONLY WOLF STEEL APPROVED OPTIONAL ACCESSORIES AND REPLACEMENT PARTS WITH THIS APPLIANCE. USING NON-LISTED ACCESSORIES (BLOWERS, DOORS, LOUVRES, TRIMS, GAS COMPONENTS, VENTING COMPONENTS, ETC.) COULD RESULT IN A SAFETY HAZARD AND WILL VOID THE WARRANTY AND CERTIFICATION.</b>

**THIS GAS APPLIANCE SHOULD BE INSTALLED AND SERVICED BY A QUALIFIED INSTALLER** to conform with local codes. Installation practices vary from region to region and it is important to know the specifics that apply to your area, for example in Massachusetts State:

- This product must be installed by a licensed plumber or gas fitter when installed within the commonwealth of Massachusetts.
- The appliance damper must be removed or welded in the open position prior to installation of an appliance insert or gas log.
- The appliance off valve must be a "T" handle gas cock.
- The flexible connector must not be longer than 36 inches.
- A Carbon Monoxide detector is required in all rooms containing gas fired appliances.
- The appliance is not approved for installation in a bedroom or bathroom unless the unit is a direct vent sealed combustion product.

The installation must conform with local codes or, in absence of local codes, the National Gas and Propane Installation Code CSA B149.1 in Canada, or the National Fuel Gas Code, ANSI Z223.1 / NFPA 54 in the United States. Suitable for mobile home installation if installed in accordance with the current standard CAN/CSA Z240MH Series, for gas equipped mobile homes, in Canada or ANSI Z223.1 and NFPA 54 in the United States.

As long as the required clearance to combustibles is maintained, the most desirable and beneficial location for an appliance is in the center of a building, thereby allowing the most efficient use of the heat created. The location of windows, doors and the traffic flow in the room where the appliance is to be located should be considered. If possible, you should choose a location where the vent will pass through the house without cutting a floor or roof joist.



**NATIONAL FIREPLACE INSTITUTE**  
**NFI**  
**CERTIFIED**  
[www.nficertified.org](http://www.nficertified.org)

We suggest that our gas hearth products be installed and serviced by professionals who are certified in the U.S. by the National Fireplace Institute® (NFI) as NFI Gas Specialists

If the appliance is installed directly on carpeting, vinyl tile or other combustible material other than wood flooring, the appliance shall be installed on a metal or wood panel extending the full width and depth.

Some appliances have optional fans or blowers. If an optional fan or blower is installed, the junction box must be electrically connected and grounded in accordance with local codes, use the current CSA C22.1 Canadian Electrical Code in Canada or the ANSI/NFPA 70 National Electrical code in the United States.

4.1A

## 2.3 GENERAL INFORMATION

**FOR YOUR SATISFACTION, THIS APPLIANCE HAS BEEN TEST-FIRED TO ASSURE ITS OPERATION AND QUALITY!**

APPLIANCE		
	NG	LP
Altitude (FT)	0-4,500	0-4,500
Max. Input (BTU/HR)	25,000	25,000
Max. Output Steady State (BTU/HR)	20,500	20,500
Efficiency (w/the fan on)	82%	82%
Min. Inlet Gas Supply Pressure	4.5" Water Column	11" Water Column
Max. Inlet Gas Supply Pressure	7" Water Column	13" Water Column
Manifold Pressure (Under Flow Conditions)	3.5" Water Column	10" Water Column

Expansion / contraction noises during heating up and cooling down cycles are normal and to be expected.

This appliance is only for use with the type of gas indicated on the rating plate. This appliance is not convertible for use with other gases, unless a certified kit is used.

Never obstruct the front opening of the appliance.

## 2.4 RATING PLATE INFORMATION


**INSTALLER:** It is your responsibility to check off the appropriate box on the rating plate according to the model, venting and gas type of the appliance.

The rating label is located behind the control door and is chained to the appliance. **DO NOT REMOVE.** For rating plate location, see "INSTALLATION OVERVIEW" section.

This illustration is for reference only. Refer to the rating plate on the appliance for accurate information.

**NOTE:** The rating plate must remain with the appliance at all times. It must not be removed.

CERTIFIED UNDER / HOMOLOGUE SELON LES NORMES: ANSI Z21.50b-2009 • CSA 2.22b-2009 VENTED GAS FIREPLACE / FOYER AU GAZ AVEC EVACUATION. DIRECT VENT VENTED GAS FIREPLACE HEATER. APPROVED FOR BEDROOM, BATHROOM & BEDSITTING ROOM INSTALLATION. SUITABLE FOR MOBILE HOME INSTALLATION IF INSTALLED IN ACCORDANCE WITH THE CURRENT STANDARD CAN/CSA Z240MH SERIES GAS EQUIPPED MOBILE HOMES, IN CANADA OR IN THE UNITED STATES THE MANUFACTURED HOME CONSTRUCTION AND SAFETY STANDARD, TITLE 24 CFR, PART 3280. WHEN THIS US STANDARD IS NOT APPLICABLE USE THE STANDARD FOR FIRE SAFETY CRITERIA FOR MANUFACTURED HOME INSTALLATIONS, SITES AND COMMUNITIES, ANSI / NFPA 501A.

 Intertek

<p>MANIFOLD PRESSURE: 3.5 INCHES W.C. (NG) PRESSION AU COLLECTEUR: 3.5" D'UNE COLONNE D'EAU (GN)</p> <p>MIN SUPPLY PRESSURE: 4.5" W.C. (NG) PRESSION D'ALIMENTATION MIN: 4.5" D'UNE COLONNE D'EAU (GN)</p> <p>MAX. SUPPLY PRESSURE: 7" W.C. (NG) PRESSION D'ALIMENTATION MAX: 7" D'UNE COLONNE D'EAU (GN)</p>	<p>9700539 (WSL) <input type="checkbox"/></p> <p>4001658 (NAC) <input type="checkbox"/></p> <p>0-4500ft 25,000 BTU/h 17,000 BTU/h</p> <p>ALTITUDE / ELEVATION INPUT / ALIMENTATION REDUCED INPUT / ALIMENTATION REDUITE</p>	<p>4001657 (NGZ) <input type="checkbox"/></p> <p>4001659 (WUSA) <input type="checkbox"/></p> <p>0-4500ft 25,000 BTU/h 20,000 BTU/h</p>
---	---	--

<p><input type="checkbox"/> GDS26N <input type="checkbox"/> CDVS26N</p>	<p><input type="checkbox"/> GDS26P <input type="checkbox"/> CDVS26P</p>	<p>MANIFOLD PRESSURE: 10 INCHES W.C. (LP) PRESSION AU COLLECTEUR: 10" D'UNE COLONNE D'EAU (P)</p> <p>MIN SUPPLY PRESSURE: 11" W.C. (LP) PRESSION D'ALIMENTATION MIN: 11" D'UNE COLONNE D'EAU (P)</p> <p>MAX. SUPPLY PRESSURE: 13" W.C. (LP) PRESSION D'ALIMENTATION MAX: 13" D'UNE COLONNE D'EAU (P)</p>
---	---	--

**NOT FOR USE WITH SOLID FUEL** / **UN COMBUSTIBLE SOLIDE NE DOIT PAS ETRE UTILISE AVEC CET APPAREIL**

<p><b>CAUTION:</b> FOR USE WITH GLASS DOORS CERTIFIED WITH THIS UNIT ONLY.</p> <p><b>WARNING:</b> DO NOT ADD ANY MATERIAL TO THE APPLIANCE, WHICH WILL COME IN CONTACT WITH THE FLAMES, OTHER THAN THAT SUPPLIED BY THE MANUFACTURER WITH THE APPLIANCE. THIS VENTED GAS FIREPLACE HEATER IS NOT FOR USE WITH AIR FILTERS.</p> <p><b>ELECTRICAL RATING:</b> BLOWER KIT GS67, 115V 0.5AMP 60HZ THE APPLIANCE MUST BE VENTED USING THE APPROPRIATE WOLF STEEL VENT KITS. SEE OWNERS INSTALLATION MANUAL FOR VENTING SPECIFICS. MINIMUM AND MAXIMUM VERTICAL VENT LENGTHS ARE 3 FEET AND 40 FEET RESPECTIVELY.</p>	<p><b>ATTENTION:</b> UTILISER AVEC LES PORTES VITREES HOMOLOGUEES SEULEMENT AVEC CETTE UNITE.</p> <p><b>AVERTISSEMENT:</b> NAJOUTEZ PAS A CET APPAREIL AUCUN MATERIAU DEVANT ENTRER EN CONTACT AVEC LES FLAMMES AUTRE QUE CELUI QUI EST FOURNI AVEC CET APPAREIL PAR LE FABRICANT.</p> <p>CE FOYER A GAZ VENTILES NE DOIT PAS ETRE UTILISE CONJOINTEMENT AVEC DES FILTRES A AIR.</p> <p><b>CLASS.:</b> SOUFFLERIE GS67, 115V 0.5AMP 60HZ L'APPAREIL DOIT EVACUER SES GAZ EN UTILISANT L'ENSEMBLE D'EVACUATION PROPRE A WOLF STEEL. REFERER AU MANUEL D'INSTALLATION DE PROPRIETAIRE POUR L'EVACUATION PRECISE. LES LONGUEURS VERTICALES MINIMALES ET MAXIMALES SONT 3 PIEDS ET 40 PIEDS RESPECTIVEMENT.</p>
---	---

**MINIMUM CLEARANCE TO COMBUSTIBLE MATERIAL:**

<p>A 2" B 5" C 2"</p> <p>VENT TOP 2" VENT BOTTOM 1" VENT SIDES 1"</p>	<p>A 2" B 5" C 2"</p> <p>EVENT SUPERIEUR 2" EVENT INFERIEUR 1" COTES DE L'EVENT 1"</p>
---	--

**WOLF STEEL LTD.**  
24 NAPOLEON ROAD, BARRIE, ON, L4M 0G8 CANADA

SERIAL NUMBER / NO. DESERIE **GDS26**

W385-0373 / G



## 3.0 VENTING

### WARNING

**RISK OF FIRE, MAINTAIN SPECIFIED AIR SPACE CLEARANCES TO VENT PIPE AND APPLIANCE.**

**IF VENTING IS INCLUDED WITH SPACERS THE VENT SYSTEM MUST BE SUPPORTED EVERY 3 FEET FOR BOTH VERTICAL AND HORIZONTAL RUNS. USE SUPPORTS OR EQUIVALENT NON-COMBUSTIBLE STRAPPING TO MAINTAIN THE REQUIRED CLEARANCE FROM COMBUSTIBLES. USE WOLF STEEL LTD. SUPPORT RING ASSEMBLY W010-0370 OR EQUIVALENT NON-COMBUSTIBLE STRAPPING TO MAINTAIN THE MINIMUM CLEARANCE TO COMBUSTIBLES FOR BOTH VERTICAL AND HORIZONTAL RUNS. SPACERS ARE ATTACHED TO THE INNER PIPE AT PREDETERMINED INTERVALS TO MAINTAIN AN EVEN AIR GAP TO THE OUTER PIPE. THIS GAP IS REQUIRED FOR SAFE OPERATION. A SPACER IS REQUIRED AT THE START, MIDDLE AND END OF EACH ELBOW TO ENSURE THIS GAP IS MAINTAINED. THESE SPACERS MUST NOT BE REMOVED.**

**THIS APPLIANCE USES A 4" EXHAUST / 7" AIR INTAKE VENT PIPE SYSTEM.**

**Refer to the section applicable to your installation.**

For safe and proper operation of the appliance follow the venting instruction exactly. Deviation from the minimum vertical vent length can create difficulty in burner start-up and/or carboning. Under extreme vent configurations, allow several minutes (5-15) for the flame to stabilize after ignition. Provide a means for visually checking the vent connection to the appliance after the appliance is installed. Use a firestop, vent pipe shield or attic insulation shield when penetrating interior walls, floor or ceiling.

**NOTE: If for any reason the vent air intake system is disassembled; reinstall per the instructions provided for the initial installation.**

7.1A

### 3.1 VENTING LENGTHS AND COMPONENTS

Use only Wolf Steel, Simpson Dura-Vent, Selkirk Direct Temp, American Metal Amerivent or Metal-Fab venting components. Minimum and maximum vent lengths, for both horizontal and vertical installations, and air terminal locations for either system are set out in this manual and must be adhered to. For Simpson Dura-Vent, Selkirk Direct Temp, American Metal Amerivent and Metal-Fab follow the installation procedure provided with the venting components.

A starter adaptor must be used with the following vent systems and may be purchased from the corresponding supplier:

PART	4"/7"	SUPPLIER	WEBSITE
Duravent	GDS924N	Wolf Steel	<a href="http://www.duravent.com">www.duravent.com</a>
Amerivent	4DSC-N2	American Metal	<a href="http://www.americanmetalproducts.com">www.americanmetalproducts.com</a>
Direct Temp	4DT-AAN	Selkirk	<a href="http://www.selkirkcorp.com">www.selkirkcorp.com</a>
SuperSeal	4DNA	Metal-Fab	<a href="http://www.mtlfab.com">www.mtlfab.com</a>

**\* For Simpson Dura-Vent, Selkirk Direct Temp, American Metal Amerivent and Metal-Fab follow the installation procedure found on the website for your venting supplier.**

For vent systems that provide seals on the inner exhaust flue, only the outer air intake joints must be sealed using a red high temperature silicone (RTV). This same sealant may be used on both the inner exhaust and outer intake vent pipe joints of all other approved vent systems except for the exhaust vent pipe connection to the appliance flue collar which must be sealed using the black high temperature sealant Mill Pac.

When using Wolf Steel venting components, use only approved Wolf Steel termination kits: wall terminal kit **GD175** (7/12' of venting included), or 1/12 to 7/12 pitch roof terminal kit **GD110**, 8/12 to 12/12 roof terminal kit **GD111**, flat roof terminal kit **GD112** or periscope kit **GD180** (for wall penetration below grade) in conjunction with the appropriate venting components.



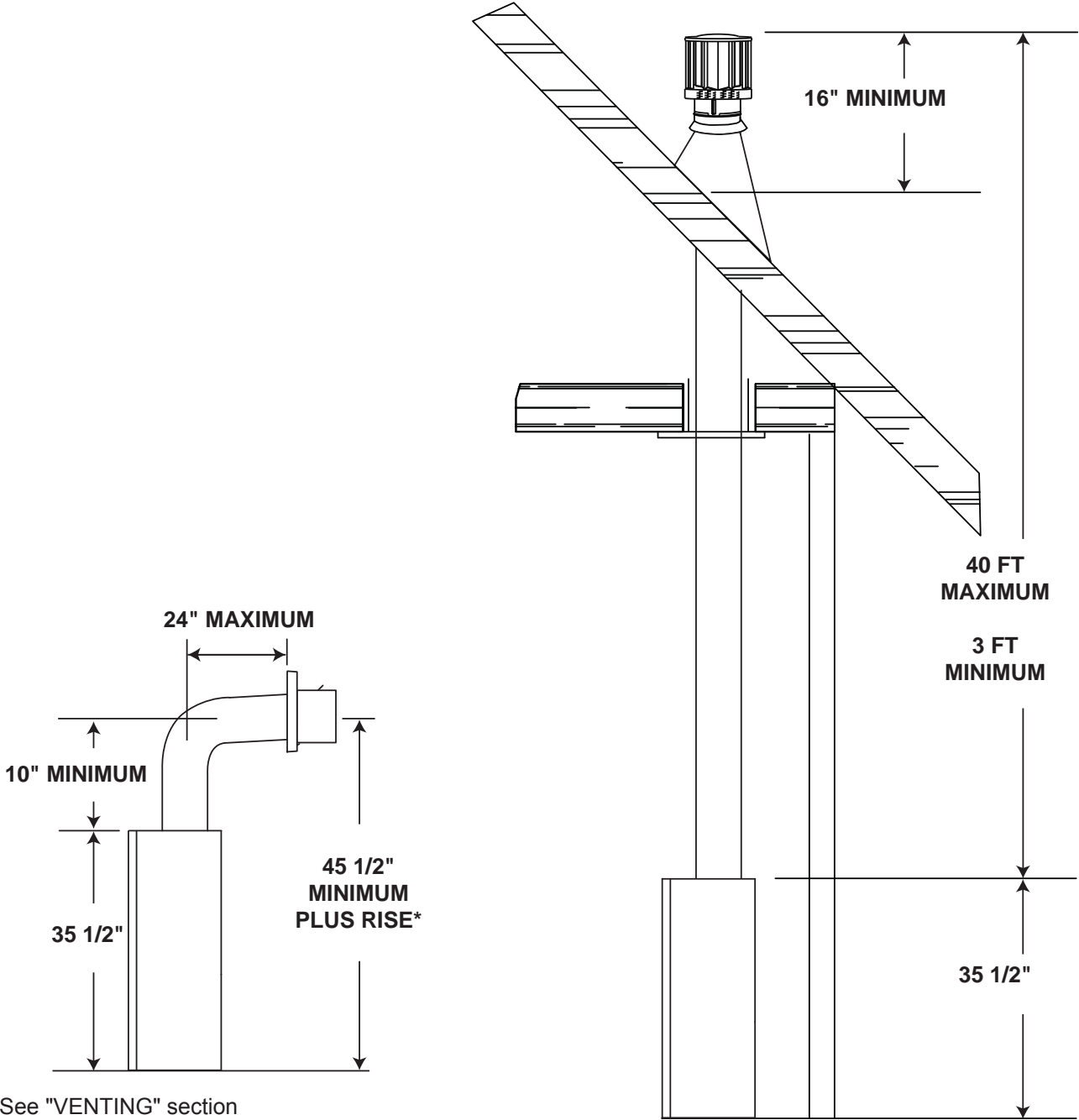
For optimum flame appearance and appliance operation, keep the vent length and number of elbows to a minimum. It is recommended that all horizontal runs have a minimum 1/4" rise per foot. The air terminal must remain unobstructed at all times. Examine the air terminal at least once a year to verify that it is unobstructed and undamaged. Rigid and flexible venting systems must not be combined. Different venting manufacturers components must not be combined.

These vent kits allow for either horizontal or vertical venting of the appliance. The maximum allowable horizontal run is 20 feet. The maximum allowable vertical vent length is 40 feet. The maximum number of vent connections is two horizontally or three vertically (excluding the appliance and the air terminal connections) when using flexible venting.

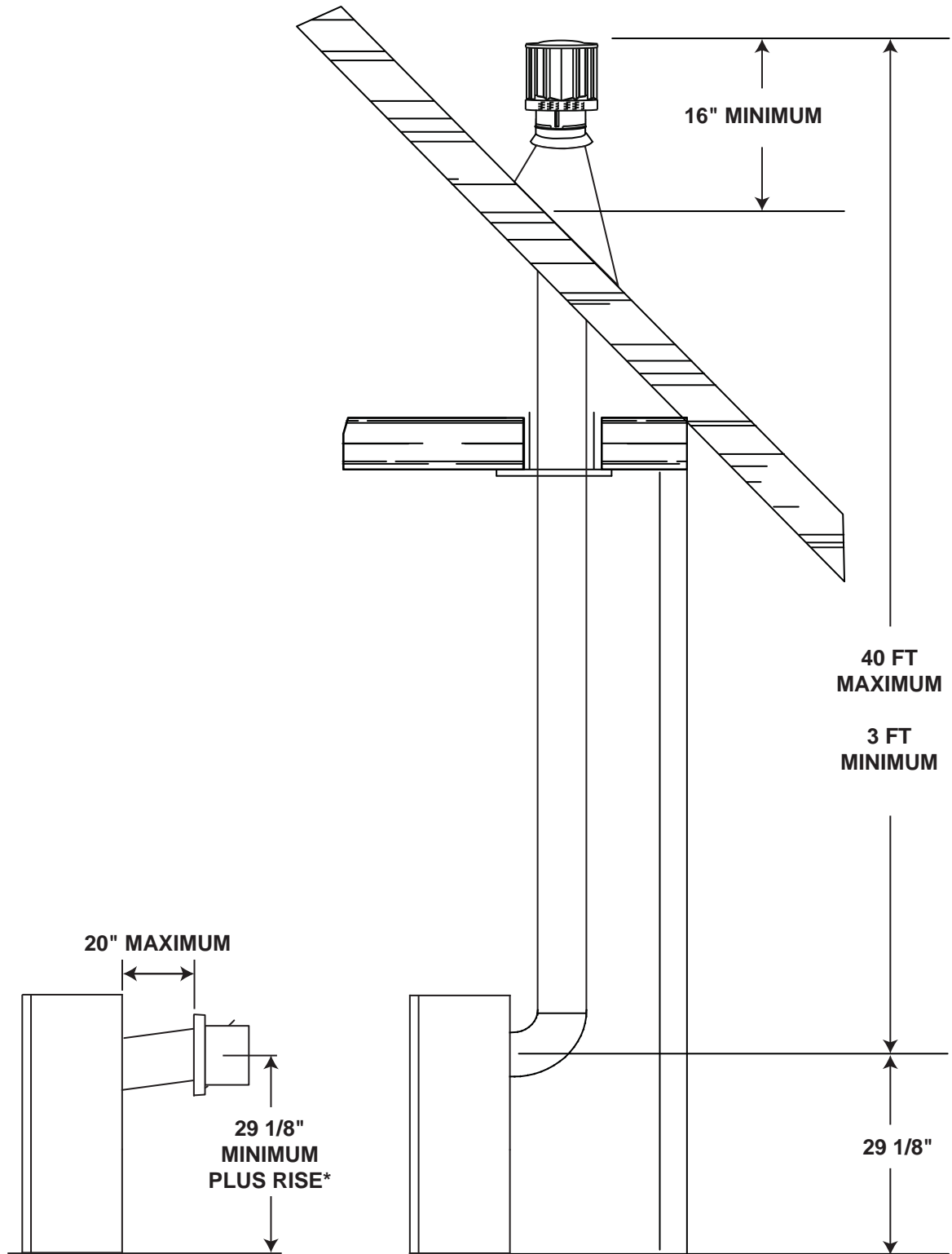
Deviation from the minimum vertical vent length can create difficulty in burner start-up and/or carboning. Use an adjustable pipe as the final length of rigid piping to the stove for ease of installation.

8.5

3.2 TYPICAL VENT INSTALLATION



\* See "VENTING" section

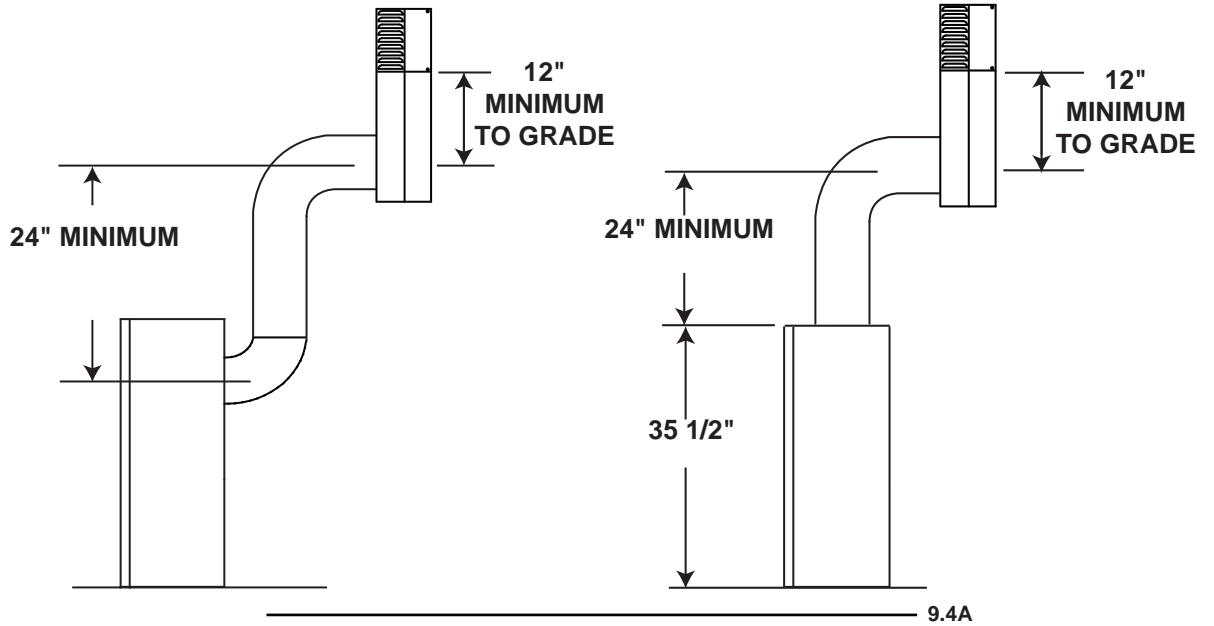


\* See "VENTING" section

### 3.3 SPECIAL VENT INSTALLATIONS

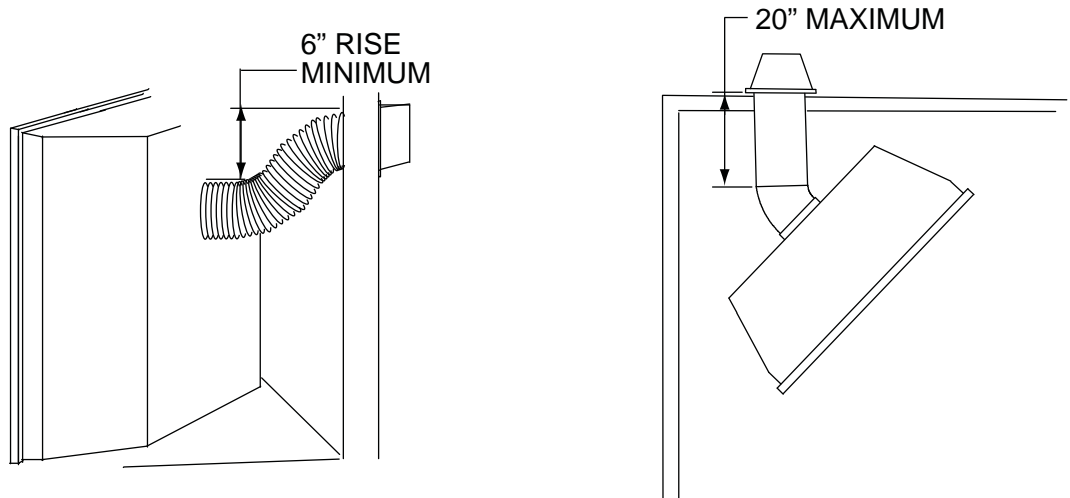
#### 3.3.1 PERISCOPE TERMINATION

Use the periscope kit to locate the air termination above grade. The periscope must be installed so that when final grading is completed, the bottom air slot is located a minimum 12" above grade. The maximum allowable vent length is 10' for a fireplace and 8' for a stove.

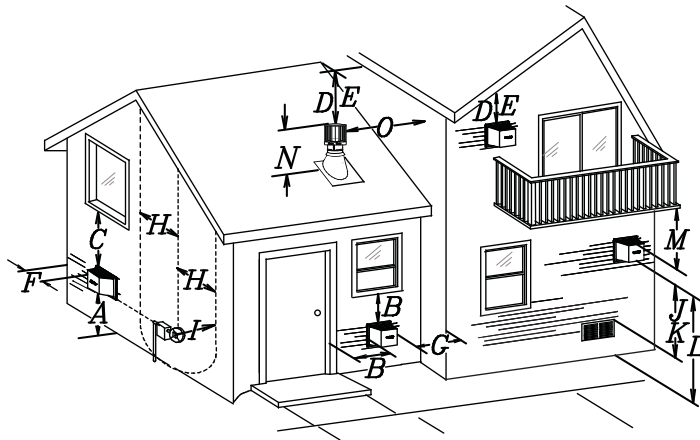


#### 3.3.2 CORNER TERMINATION

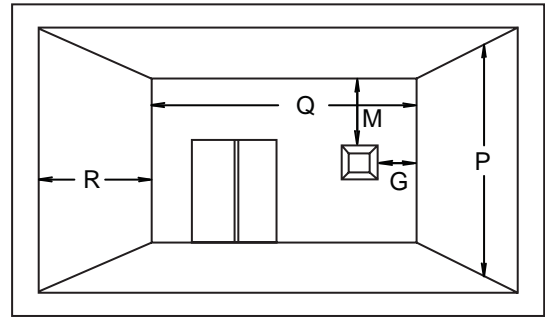
The maximum vent length for a corner installation is 20" of horizontal run, in addition to the 45° offset. In this case zero rise is acceptable. See illustrations below. It is recommended to maintain a 6" rise.



3.4 MINIMUM AIR TERMINAL LOCATION CLEARANCES



COVERED BALCONY APPLICATIONS



$Q_{MIN}$	= 3 feet
$R_{MAX}$	= 2 x $Q_{ACTUAL}$
$R_{MAX}$	≤ 15 feet

INSTALLATIONS	
CANADA	U.S.A.

	CANADA	U.S.A.	
A	12"	12"	Clearance above grade, veranda porch, deck or balcony.
B	12" <sup>Δ</sup>	9" <sup>Δ</sup>	Clearance to windows or doors that open.
C	12" *	12" *	Clearance to permanently closed windows.
D	18" **	18" **	Vertical clearance to ventilated soffits located above the terminal within a horizontal distance of 2' from the centerline of the terminal.
E	18" **	18" **	Clearance to unventilated soffit.
F	0"	0"	Clearance to an outside corner wall.
G	0" ***	0" ***	Clearance to an inside <b>non-combustible</b> corner wall or protruding <b>non-combustible</b> obstructions (chimney, etc.).
	2" ***	2" ***	Clearance to an inside combustible corner wall or protruding combustible obstructions (vent chase, etc.).
H	3'	3' ****	Clearance to each side of the centerline extended above the meter / regulator assembly to a maximum vertical distance of 15'.
I	3'	3' ****	Clearance to a service regulator vent outlet.
J	12"	9"	Clearance to a non-mechanical air supply inlet to the building or a combustion air inlet to any other appliance.
K	6'	3' †	Clearance to a mechanical air supply inlet.
L	7' ‡	7' ****	Clearance above a paved sidewalk or paved driveway located on public property.
M	12" ††	12" ****	Clearance under a veranda, porch, deck or balcony.
N	16"	16"	Clearance above the roof.
O	2' †*	2' †*	Clearance from an adjacent wall including neighbouring buildings.
P	8'	8'	Roof must be <b>non-combustible</b> without openings.
Q	3'	3'	See chart for wider wall dimensions.
R	6'	6'	See chart for deeper wall dimensions. The terminal shall not be installed on any wall that has an opening between the terminal and the open side of the structure.

<sup>Δ</sup> In a structure with three walls and a roof, the terminal shall not be located less than 6 feet under a window that opens on a horizontal plane.

\* Recommended to prevent condensation on windows and thermal breakage

\*\* It is recommended to use a heat shield and to maximize the distance to vinyl clad soffits.

\*\*\* The periscope requires a minimum 18" clearance from an inside corner.

\*\*\*\* This is a recommended distance. For additional requirements check local codes.

† 3 feet above if within 10 feet horizontally.

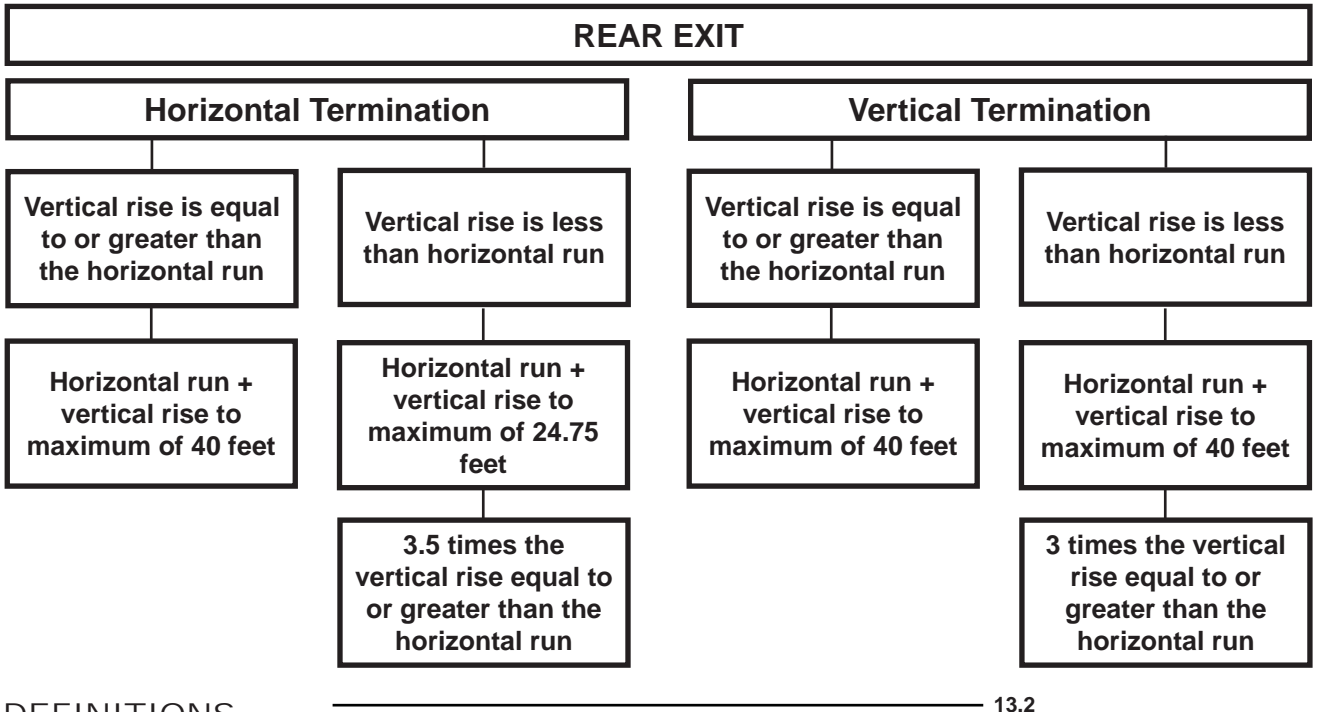
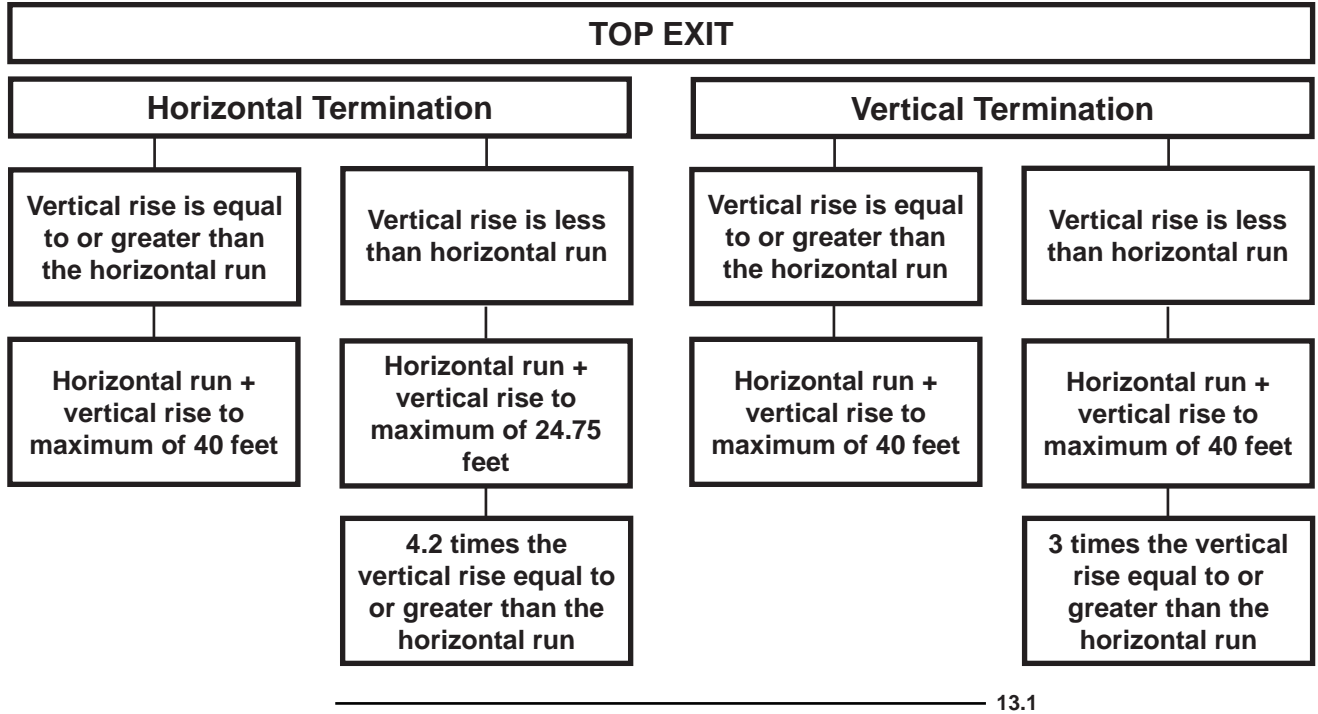
‡ A vent shall not terminate where it may cause hazardous frost or ice accumulations on adjacent property surfaces.

†† Permitted only if the veranda, porch, or deck is fully open on a minimum of two sides beneath the floor.

†\* Recommended to prevent recirculation of exhaust products. For additional requirements check local codes.

**NOTE:** Clearances are in accordance with local installation codes and the requirements of the gas supplier.

3.5 VENTING APPLICATION FLOW CHART



3.6 DEFINITIONS

For the following symbols used in the venting calculations and examples are:

- > - greater than
- ≥ - equal to or greater than
- < - less than
- ≤ - equal to or less than
- H<sub>T</sub> - total of both horizontal vent lengths (H<sub>r</sub>) and offsets (H<sub>o</sub>) in feet
- H<sub>R</sub> - combined horizontal vent lengths in feet
- H<sub>O</sub> - offset factor: .03 (total degrees of offset - 90°) in feet
- V<sub>T</sub> - combined vertical vent lengths in feet

14.1

3.7 ELBOW VENT LENGTH VALUES

	<b>FEET</b>	<b>INCHES</b>
1°	0.03	0.5
15°	0.45	6.0
30°	0.9	11.0
45°	1.35	16.0
90°*	2.7	32.0

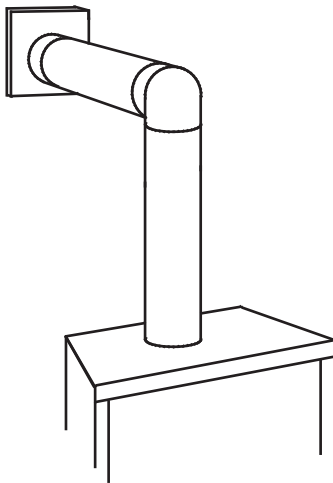
\* The first 90° offset has a zero value and is shown in the formula as - 90°

15.1

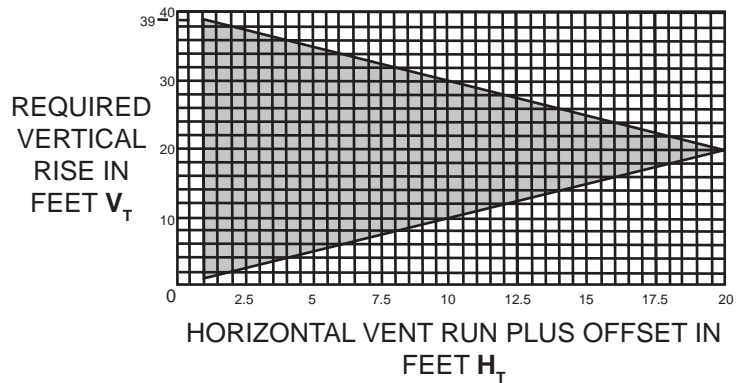
3.8 TOP EXIT HORIZONTAL TERMINATION

$$(H_T) \leq (V_T)$$

Simple venting configuration (only one 90° elbow)



See graph to determine the required vertical rise  $V_T$  for the required horizontal run  $H_T$ .



The shaded area within the lines represents acceptable values for  $H_T$  and  $V_T$

For vent configurations requiring more than one 90° elbow, the following formulas apply:

Formula 1:  $H_T \leq V_T$

Formula 2:  $H_T + V_T \leq 40$  feet

Example:

$V_1 = 3$  FT

$V_2 = 8$  FT

$V_T = V_1 + V_2 = 3$  FT + 8 FT = 11 FT

$H_1 = 2.5$  FT

$H_2 = 2$  FT

$H_R = H_1 + H_2 = 2.5 + 2 = 4.5$  FT

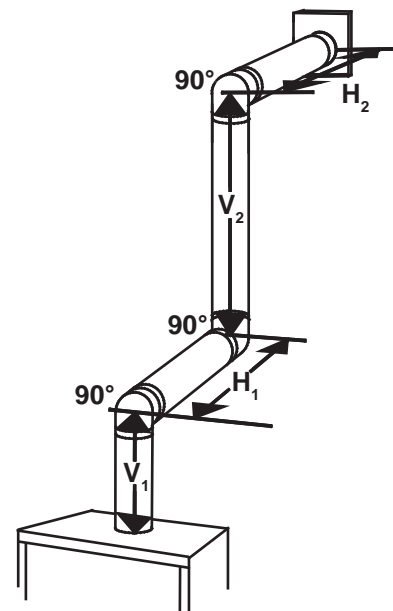
$H_o = .03$  (three 90° elbows - 90°) = .03 (270° - 90°) = 5.4 FT

$H_T = H_R + H_o = 4.5 + 5.4 = 9.9$  FT

$H_T + V_T = 9.9 + 11 = 20.9$  FT

Formula 1:  $H_T \leq V_T$   
 $9.9 \leq 11$

Formula 2:  $H_T + V_T \leq 40$  FT  
 $20.9 \leq 40$



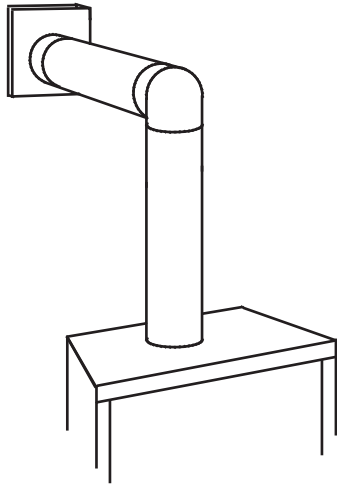
Since both formulas are met, this vent configuration is acceptable.

16.1A



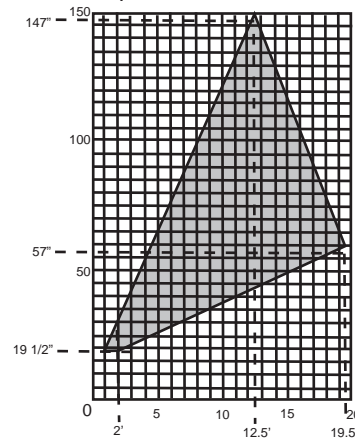
$$(H_T) > (V_T)$$

Simple venting configuration (only one 90° elbow)



See graph to determine the required vertical rise  $V_T$  for the required horizontal run  $H_T$ .

REQUIRED VERTICAL RISE IN INCHES  $V_T$



HORIZONTAL VENT RUN PLUS OFFSET IN FEET  $H_T$   
The shaded area within the lines represents acceptable values for  $H_T$  and  $V_T$

For vent configurations requiring more than one 90° elbow, the following formulas apply:

Formula 1:  $H_T \leq 4.2 V_T$

Formula 2:  $H_T + V_T \leq 24.75$  feet

Example:

$$V_1 = V_T = 6 \text{ FT}$$

$$H_1 = 3 \text{ FT}$$

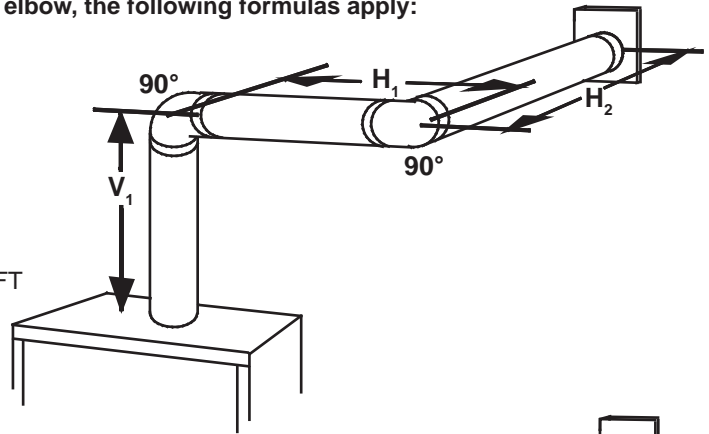
$$H_2 = 5 \text{ FT}$$

$$H_R = H_1 + H_2 = 3 + 5 = 8 \text{ FT}$$

$$H_O = .03 (\text{two } 90^\circ \text{ elbows} - 90^\circ) = .03 (180^\circ - 90^\circ) = 2.7 \text{ FT}$$

$$H_T = H_R + H_O = 8 + 2.7 = 10.7 \text{ FT}$$

$$H_T + V_T = 10.7 + 6 = 16.7 \text{ FT}$$



Formula 1:

$$H_T \leq 4.2 V_T$$

$$4.2 V_T = 4.2 \times 6 = 25.2 \text{ FT}$$

$$10.7 \leq 25.2$$

Formula 2:

$$H_T + V_T \leq 24.75 \text{ FT}$$

$$16.7 \leq 24.75$$

Since both formulas are met, this vent configuration is acceptable.

Example:

$$V_1 = 4 \text{ FT}$$

$$V_2 = 1.5 \text{ FT}$$

$$V_T = V_1 + V_2 = 4 + 1.5 = 5.5 \text{ FT}$$

$$H_1 = 2 \text{ FT}$$

$$H_2 = 1 \text{ FT}$$

$$H_3 = 1 \text{ FT}$$

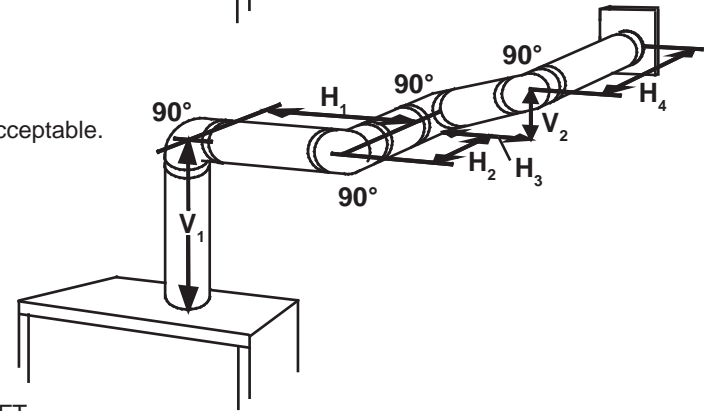
$$H_4 = 1.5 \text{ FT}$$

$$H_R = H_1 + H_2 + H_3 + H_4 = 2 + 1 + 1 + 1.5 = 5.5 \text{ FT}$$

$$H_O = .03 (\text{four } 90^\circ \text{ elbows} - 90^\circ) = .03 (360^\circ - 90^\circ) = 8.1 \text{ FT}$$

$$H_T = H_R + H_O = 5.5 + 8.1 = 13.6 \text{ FT}$$

$$H_T + V_T = 13.6 + 5.5 = 19.1 \text{ FT}$$



Formula 1:

$$H_T \leq 4.2 V_T$$

$$4.2 V_T = 4.2 \times 5.5 = 23.1 \text{ FT}$$

$$13.6 \leq 23.1$$

Formula 2:

$$H_T + V_T \leq 24.75 \text{ FT}$$

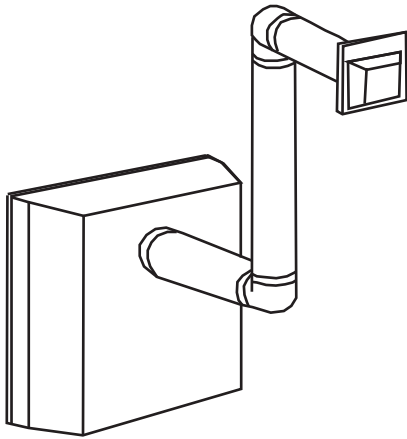
$$19.1 \leq 24.75$$

Since both formulas are met, this vent configuration is acceptable.

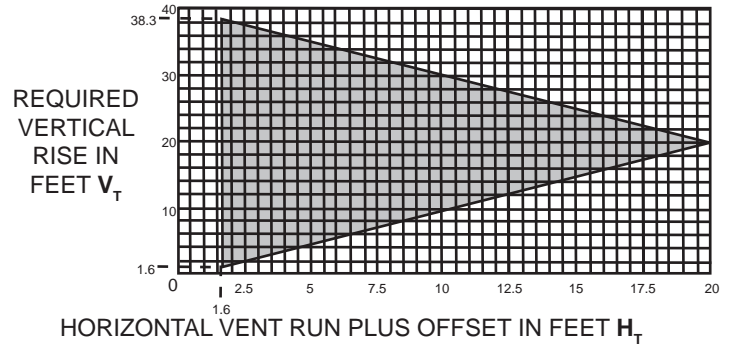
3.9 REAR EXIT HORIZONTAL TERMINATION

$$(H_T) \leq (V_T)$$

Simple venting configuration  
(only two 90° elbows)



See graph to determine the required vertical rise  $V_T$  for the required horizontal run  $H_T$ .



The shaded area within the lines represents acceptable values for  $H_T$  and  $V_T$

For vent configurations requiring more than two 90° elbows, the following formulas apply:

Formula 1:  $H_T \leq V_T$

Formula 2:  $H_T + V_T \leq 40$  feet

Example:

$V_1 = 9$  FT

$V_2 = 6$  FT

$V_T = V_1 + V_2 = 9 + 6 = 15$  FT

$H_1 = 3$  FT

$H_2 = 2$  FT

$H_3 = 1.5$  FT

$H_R = H_1 + H_2 + H_3 = 3 + 2 + 1.5 = 6.5$  FT

$H_O = .03$  (four 90° elbows - 90°) = .03 (360° - 90°) = 8.1 FT

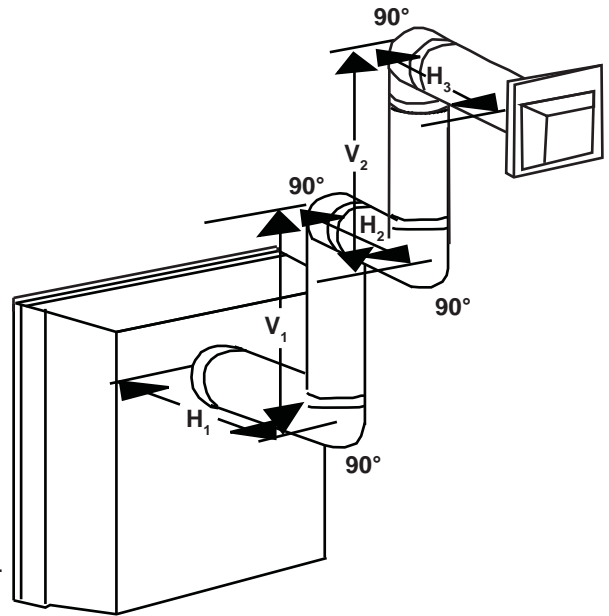
$H_T = H_R + H_O = 6.5 + 8.1 = 14.6$  FT

$H_T + V_T = 14.6 + 15 = 29.6$  FT

Formula 1:  $H_T \leq V_T$   
 $14.6 \leq 15$

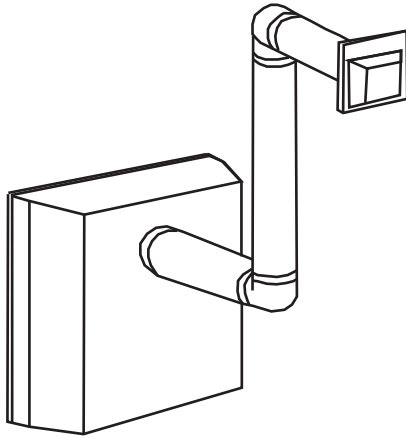
Formula 2:  $H_T + V_T \leq 40$  FT  
 $29.6 \leq 40$

Since both formulas are met, this vent configuration is acceptable.

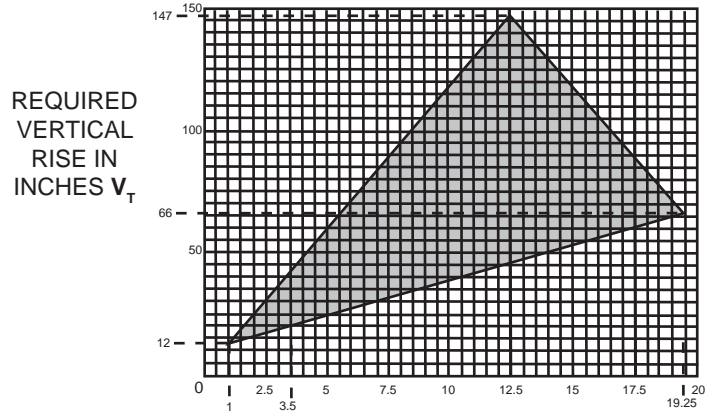


$(H_T) > (V_T)$

Simple venting configuration  
(only two 90° elbows)



See graph to determine the required vertical rise  $V_T$  for the required horizontal run  $H_T$ .



HORIZONTAL VENT RUN PLUS OFFSET IN FEET  $H_T$

The shaded area within the lines represents acceptable values for  $H_T$  and  $V_T$

For vent configurations requiring more than two 90° elbows, the following formulas apply:

Formula 1:  $H_T \leq 3.5V_T$

Formula 2:  $H_T + V_T \leq 24.75$  feet

Example:

$V_1 = 4$  FT

$V_2 = 1.5$  FT

$V_T = V_1 + V_2 = 4 + 1.5 = 5.5$  FT

$H_1 = 2$  FT

$H_2 = 1$  FT

$H_3 = 1$  FT

$H_4 = 1.5$  FT

$H_R = H_1 + H_2 + H_3 + H_4 = 2 + 1 + 1 + 1.5 = 5.5$  FT

$H_O = .03$  (four 90° elbows + one 45° elbow - 90°)

$= .03 (90 + 90 + 90 + 90 + 45 - 90) = 9.45$  FT

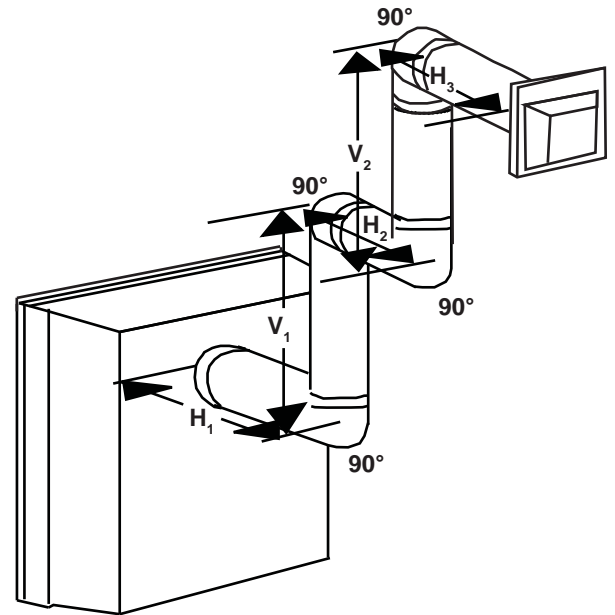
$H_T = H_R + H_O = 5.5 + 9.45 = 14.95$  FT

$H_T + V_T = 14.95 + 5.5 = 20.45$  FT

Formula 1:  $H_T \leq 3.5V_T$   
 $3.5V_T = 3.5 \times 5.5 = 19.25$  FT  
 $14.95 \leq 19.25$

Formula 2:  $H_T + V_T \leq 24.75$  FT  
 $20.45 \leq 24.75$

Since both formulas are met, this vent configuration is acceptable.

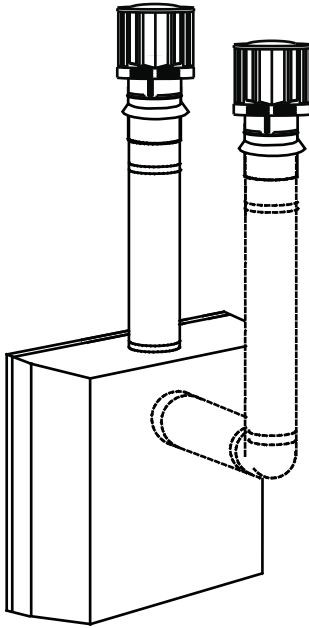


16.3\_2A

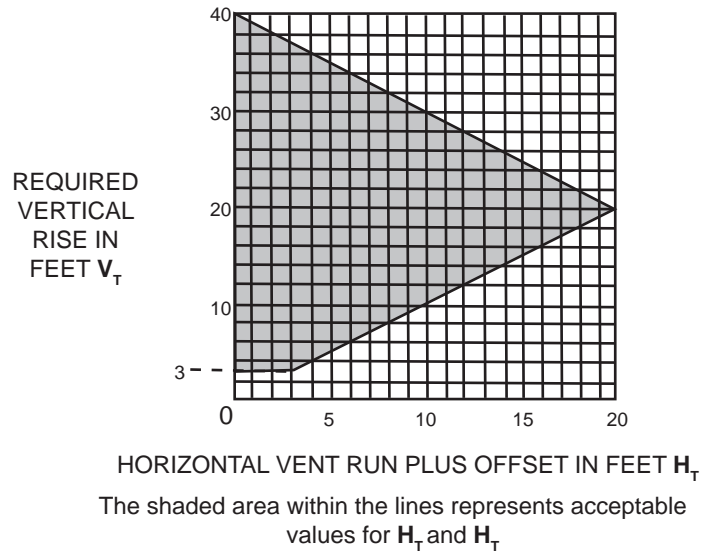
3.10 TOP OR REAR EXIT VERTICAL TERMINATION

$$(H_T) \leq (V_T)$$

Simple venting configurations.



See graph to determine the required vertical rise  $V_T$  for the required horizontal run  $H_T$ .



For vent configurations requiring one or more 90° elbows (top exit) or one or more 90° elbows (rear exit), the following formulas apply:

Formula 1:  $H_T \leq V_T$

Formula 2:  $H_T + V_T \leq 40$  feet

Example:

$V_1 = 5$  FT

$V_2 = 6$  FT

$V_3 = 10$  FT

$V_T = V_1 + V_2 + V_3 = 5 + 6 + 10 = 21$  FT

$H_1 = 8$  FT

$H_2 = 2.5$  FT

$H_R = H_1 + H_2 = 8 + 2.5 = 10.5$  FT

$H_O = .03$  (four 90° elbows - 90°)

$= .03$  (360° - 90°) = 8.1 FT

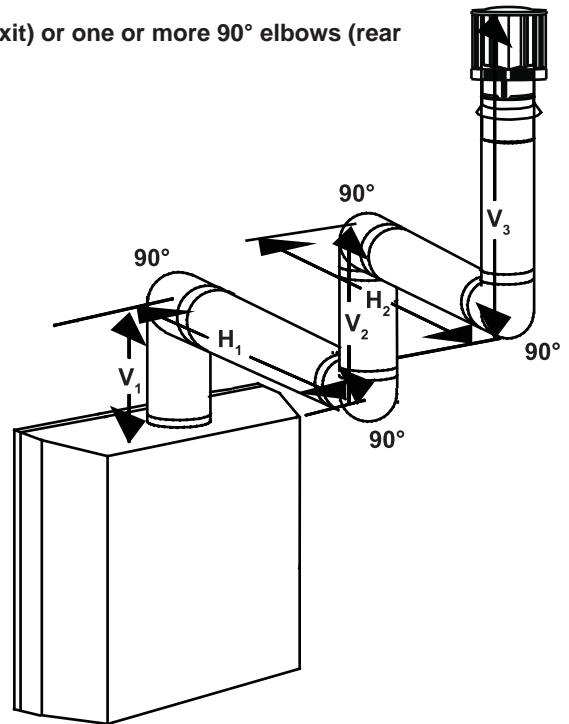
$H_T = H_R + H_O = 10.5 + 8.1 = 18.6$  FT

$H_T + V_T = 18.6 + 21 = 39.6$  FT

Formula 1:  $H_T \leq 3.5 V_T$   
 $18.6 \leq 21$

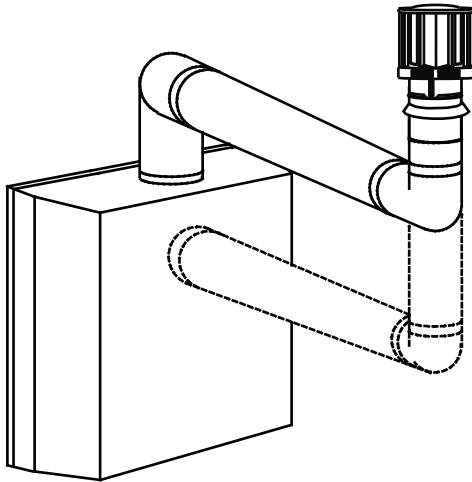
Formula 2:  $H_T + V_T \leq 40$  FT  
 $39.6 \leq 40$

Since both formulas are met, this vent configuration is acceptable.

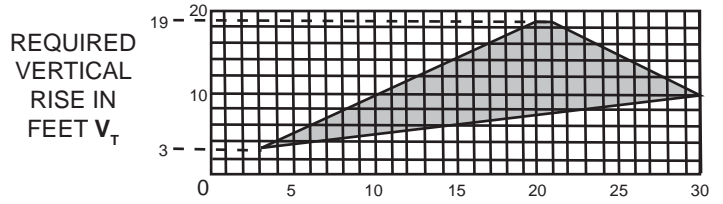


$(H_T) > (V_T)$

Simple venting configurations.



See graph to determine the required vertical rise  $V_T$  for the required horizontal run  $H_T$ .



HORIZONTAL VENT RUN PLUS OFFSET IN FEET  $H_T$

The shaded area within the lines represents acceptable values for  $H_T$  and  $V_T$

For vent configurations requiring more than two 90° elbows (top exit) or one 90° elbow (rear exit), the following formulas apply:

Formula 1:  $H_T \leq 3 V_T$

Formula 2:  $H_T + V_T \leq 40$  feet

Example:

$V_1 = 2$  FT

$V_2 = 1$  FT

$V_3 = 1.5$  FT

$V_T = V_1 + V_2 + V_3 = 2 + 1 + 1.5 = 4.5$  FT

$H_1 = 6$  FT

$H_2 = 2$  FT

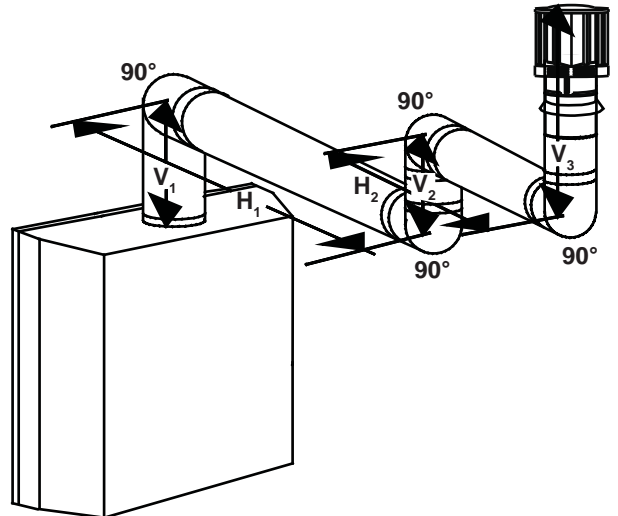
$H_R = H_1 + H_2 = 6 + 2 = 8$  FT

$H_o = .03$  (four 90° elbows - 90°)

$= .03$  (360° - 90°) = 8.1 FT

$H_T = H_R + H_o = 8 + 8.1 = 16.1$  FT

$H_T + V_T = 16.1 + 4.5 = 20.6$  FT



Formula 1:  $H_T \leq 3.5 V_T$   
 $3.5 V_T = 3 \times 4.5 = 13.5$  FT  
 $16.1 \leq 13.5$

Since this formula is not met, this vent configuration is **unacceptable**.

Formula 2:  $H_T + V_T \leq 40$  FT  
 $16.1 \leq 13.5$

Since only formula 2 is met, this vent configuration is unacceptable and a new fireplace location or vent configuration will need to be established to satisfy both formulas.

18.2\_2A

**Example:**

$$V_1 = 1.5 \text{ FT}$$

$$V_2 = 5 \text{ FT}$$

$$V_T = V_1 + V_2 = 1.5 + 1 + 5 = 6.5 \text{ FT}$$

$$H_1 = 1 \text{ FT}$$

$$H_2 = 1 \text{ FT}$$

$$H_3 = 10.75 \text{ FT}$$

$$H_R = H_1 + H_2 + H_3 = 1 + 1 + 10.75 = 12.75 \text{ FT}$$

$$H_O = .03 \text{ (four } 90^\circ \text{ elbows + one } 45^\circ \text{ elbow - } 90^\circ)$$

$$= .03 (360^\circ + 45^\circ - 90^\circ) = 6.75 \text{ FT}$$

$$H_T = H_R + H_O = 12.75 + 6.75 = 19.5 \text{ FT}$$

$$H_T + V_T = 19.5 + 6.5 = 26 \text{ FT}$$

**Formula 1:**

$$H_T \leq 3 V_T$$

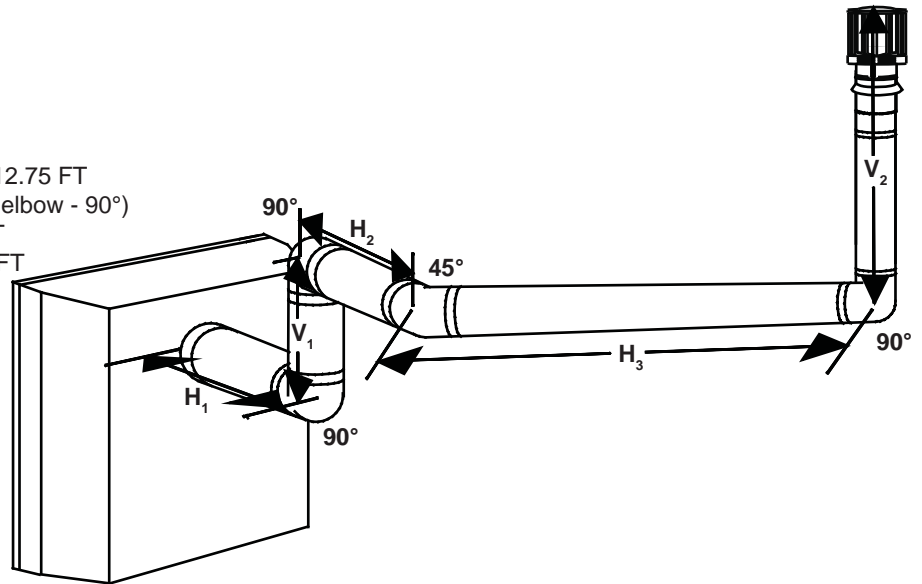
$$3 V_T = 3 \times 6.5 = 19.5 \text{ FT}$$

$$19.5 = 19.5$$

**Formula 2:**

$$H_T + V_T \leq 40 \text{ FT}$$

$$26 \leq 40$$



Since both formulas are met, this vent configuration is acceptable.

18.2\_3



3.11 VERTICAL THROUGH EXISTING CHIMNEY

**! WARNING**

**RISK OF FIRE!**

**CO-AXIAL TO CO-LINEAR VENTING CONFIGURATIONS MUST ONLY BE USED IN A NON-COMBUSTIBLE CHIMNEY OR ENCLOSURE. INSTALLATION IN A COMBUSTIBLE ENCLOSURE COULD RESULT IN A FIRE.**

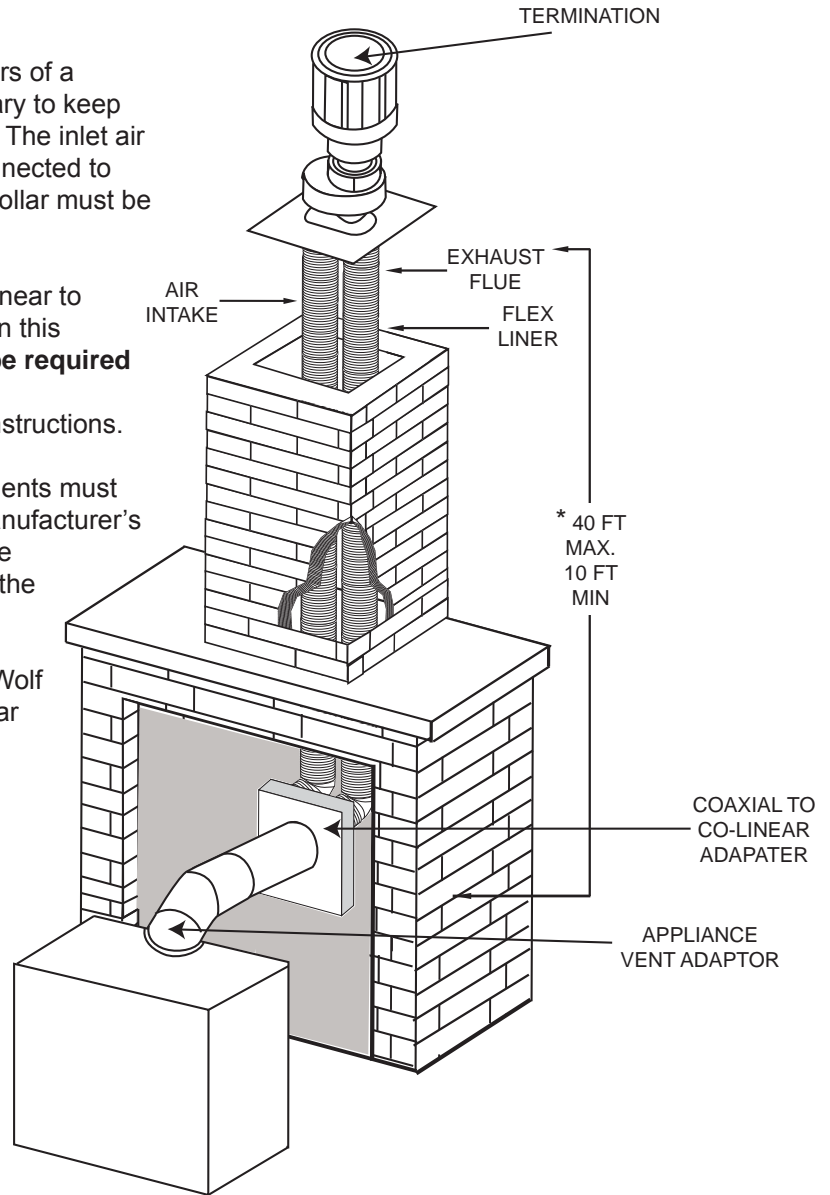
This appliance is designed to be attached to a 3" co-linear aluminum flex vent system running the full length of a masonry chimney.

The flex liners accommodate any contours of a masonry chimney, however, it is necessary to keep the flexible liners as straight as possible. The inlet air collar of the termination cap must be connected to the air intake flex liner and the exhaust collar must be connected to the exhaust flexible liner.

Both Simpson Duravent and Selkirk co-linear to co-axial adaptors have been approved on this appliance (**NOTE: A vent adaptor will be required directly off the appliance**). Follow vent manufacturer's installation instructions.

Different manufacturer's venting components must not be combined. Once the preferred manufacturer's appliance adaptor has been attached, the remainder of the system must be that of the same manufacturer.

The only exception to this rule is to use Wolf Steel's approved 3" flex liner and co-linear termination.

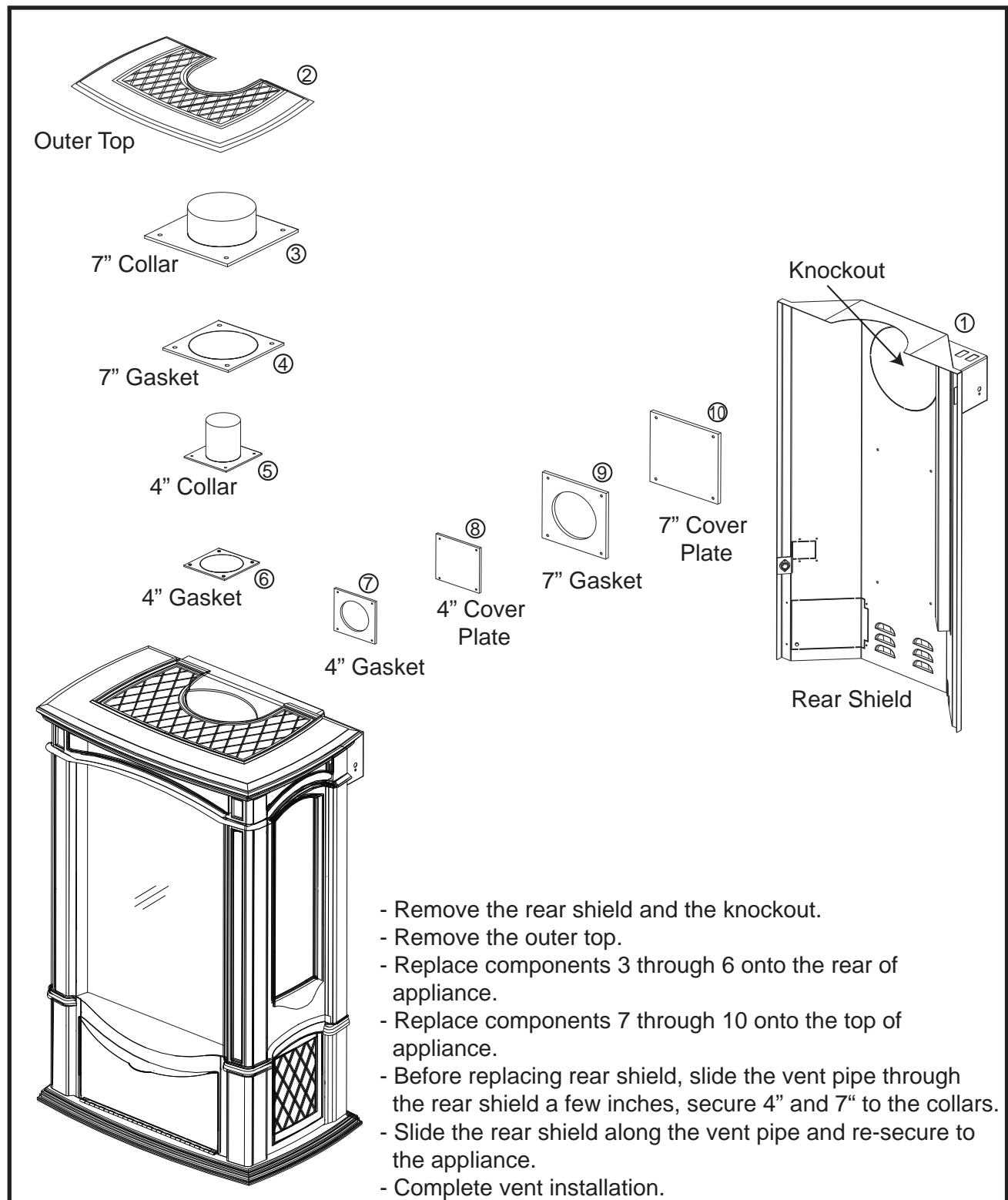


\* Measured from appliance flue collar to termination flue collar


7.6

## 3.12 REAR VENT CONVERSION

In order to convert the venting configuration from a top exit to a rear exit, remove components as illustrated: When reinstalling in the alternate position: Check gaskets for tears, replace if necessary to ensure a proper seal.




## 4.0 INSTALLATION

 <b>WARNING</b>
<b>FOR SAFE AND PROPER OPERATION OF THE APPLIANCE, FOLLOW THE VENTING INSTRUCTIONS EXACTLY.</b>
<b>ALL INNER EXHAUST AND OUTER INTAKE VENT PIPE JOINTS MAY BE SEALED USING EITHER RED RTV HIGH TEMP SILICONE SEALANT W573-0002 (NOT SUPPLIED) OR BLACK HIGH TEMP MILL PAC W573-0007 (NOT SUPPLIED) WITH THE EXCEPTION OF THE APPLIANCE EXHAUST FLUE COLLAR WHICH MUST BE SEALED USING MILL PAC.</b>
<b>IF USING PIPE CLAMPS TO CONNECT VENT COMPONENTS, 3 SCREWS MUST ALSO BE USED TO ENSURE THE CONNECTION CANNOT SLIP OFF.</b>
<b>DO NOT CLAMP THE FLEXIBLE VENT PIPE.</b>
<b>RISK OF FIRE, EXPLOSION OR ASPHYXIATION. IMPROPER SUPPORT OF THE ENTIRE VENTING SYSTEM MAY ALLOW VENT TO SAG AND SEPARATE. USE VENT RUN SUPPORTS AND CONNECT VENT SECTIONS PER INSTALLATION INSTRUCTIONS.</b>
<b>RISK OF FIRE, DO NOT ALLOW LOOSE MATERIALS OR INSULATION TO TOUCH THE VENT PIPE. REMOVE INSULATION TO ALLOW FOR THE INSTALLATION OF THE ATTIC SHIELD AND TO MAINTAIN CLEARANCES TO COMBUSTIBLES.</b>

68.2A

### 4.1 WALL AND CEILING PROTECTION

 <b>WARNING</b>
<b>DO NOT FILL THE SPACE BETWEEN THE VENT PIPE AND ENCLOSURE WITH ANY TYPE OF MATERIAL. DO NOT PACK INSULATION OR COMBUSTIBLES BETWEEN CEILING FIRESTOPS. ALWAYS MAINTAIN SPECIFIED CLEARANCES AROUND VENTING AND FIRESTOP SYSTEMS. INSTALL WALL SHIELDS AND FIRESTOPS AS SPECIFIED. FAILURE TO KEEP INSULATION OR OTHER MATERIALS AWAY FROM VENT PIPE MAY CAUSE FIRE.</b>

70.1

For clearances to combustible materials from the vent pipe, see "FRAMING" section.

For optimum performance it is recommended that horizontal runs have a minimum 1" per rise per foot when using Simpson Dura-Vent, Selkirk Direct Temp, American Metal Amerivent, or Wolf Steel rigid or flexible vent components.

## 4.1.1 HORIZONTAL INSTALLATION

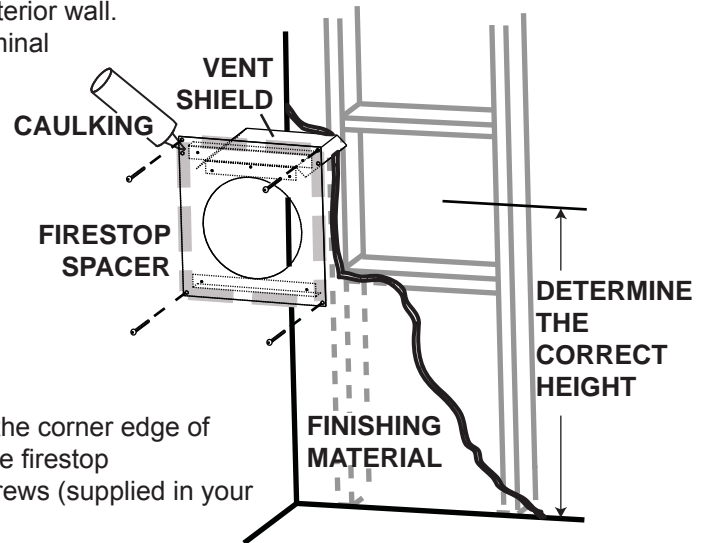
**! WARNING**

**THE FIRESTOP ASSEMBLY MUST BE INSTALLED WITH THE VENT SHIELD TO THE TOP.**

**TERMINALS MUST NOT BE RECESSED INTO A WALL OR SIDING MORE THAN THE DEPTH OF THE RETURN FLANGE OF THE MOUNTING PLATE.**

This application occurs when venting through an exterior wall. Having determined the correct height for the air terminal location, cut and frame a hole in the exterior wall as illustrated to accommodate the firestop assembly. Dry fit the firestop assembly before proceeding to ensure the brackets on the rear surface fit to the inside surface of the horizontal framing.

The length of the vent shield may be cut shorter for combustible walls that are less than 8 1/2" thick but the vent shield must extend the full depth of the combustible wall.



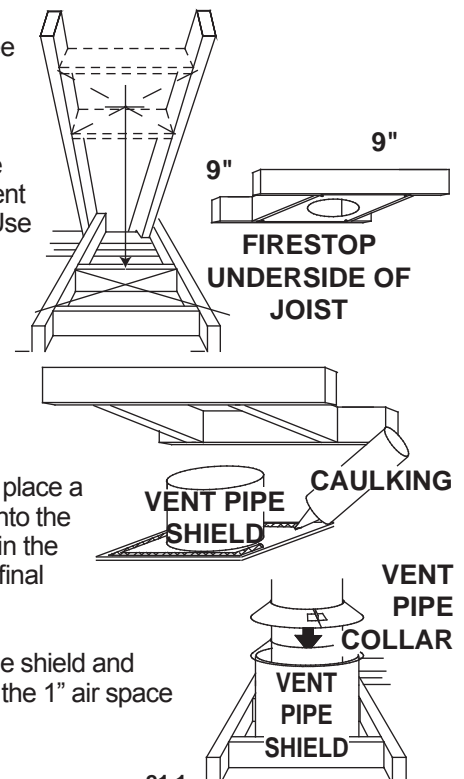
- A. Apply a bead of caulking (not supplied) around the corner edge of the inside surface of the firestop assembly, fit the firestop assembly to the hole and secure using the 4 screws (supplied in your manual baggie).
- B. Once the vent pipe is installed in its final position, apply high temperature sealant W573-0007 (not supplied) between the pipe and the firestop.

20.2

## 4.1.2 VERTICAL INSTALLATION

This application occurs when venting through a roof. Installation kits for various roof pitches are available from your authorized dealer / distributor. See accessories to order specific kits required.

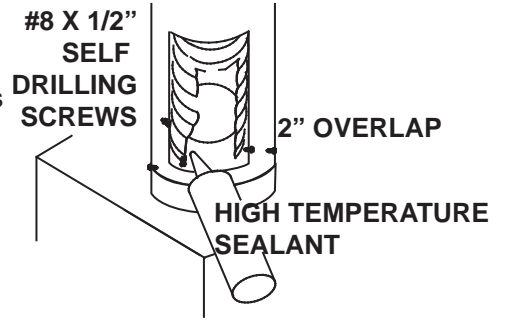
- A. Determine the air terminal location, cut and frame a square opening as illustrated in the ceiling and the roof to provide the minimum 1" clearance between the vent pipe and any combustible material. Try to center the vent pipe location midway between two joists to prevent having to cut them. Use a plumb bob to line up the center of the openings. A vent pipe shield will prevent any materials such as insulation, from filling up the 1" air space around the pipe. Nail headers between the joist for extra support.
- B. Apply a bead of caulking (not supplied) to the framework or to the Wolf Steel vent pipe shield plate or equivalent (in the case of a finished ceiling), and secure over the opening in the ceiling. A firestop must be placed on the bottom of each framed opening in a roof or ceiling that the venting system passes through. Apply a bead of caulking all around and place a firestop spacer over the vent shield to restrict cold air from being drawn into the room or around the fireplace. Ensure that both spacer and shield maintain the required clearance to combustibles. Once the vent pipe is installed in its final position, apply sealant between the pipe and the firestop assembly.
- C. In the attic, slide the vent pipe collar down to cover up the open end of the shield and tighten. This will prevent any materials, such as insulation, from filling up the 1" air space around the pipe.



21.1

4.1.3 APPLIANCE VENT CONNECTION

- A. Attach the adjustable pipe to the last section of rigid pipe. Secure with screws and seal.
- B. Install the inner flex pipe to the appliance. Secure with 3 screws and flat washers. Seal the joint and screw holes using the high temperature sealant W573-0007 (not supplied).
- C. Run a bead of high temperature sealant (not supplied) around the inside of the air intake collar. Pull the adjustable pipe a minimum 2" into the air intake collar.



**NOTE:** Ensure that the sealant is not visible on the exterior pipes once installation is completed. An optional decorative black band is available for this use. In the event that the venting must be disassembled, care must be taken to reseal the venting.

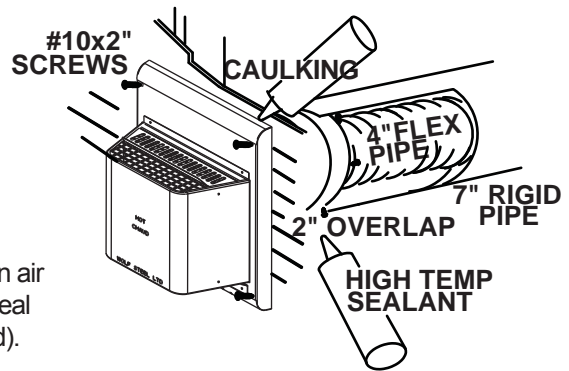
28.3

4.1.4 HORIZONTAL AIR TERMINAL INSTALLATION

<b>! WARNING</b>
<b>TERMINALS MUST NOT BE RECESSED INTO A WALL OR SIDING MORE THAN THE DEPTH OF THE RETURN FLANGE OF THE MOUNTING PLATE.</b>
<b>DO NOT ALLOW THE INNER FLEX PIPE TO BUNCH UP ON HORIZONTAL OR VERTICAL RUNS AND ELBOWS. KEEP IT PULLED TIGHT.</b>
<b>SPACERS ARE ATTACHED TO THE INNER FLEX AT PREDETERMINED INTERVALS TO MAINTAIN AN EVEN AIR GAP TO THE OUTER FLEX PIPE. THIS GAP IS REQUIRED FOR SAFE OPERATION. A SPACER IS REQUIRED AT THE START, MIDDLE, AND END OF EACH ELBOW TO ENSURE THIS GAP IS MAINTAINED. THESE SPACERS MUST NOT BE REMOVED.</b>

All 4" flexible vent pipe and 7" rigid vent pipe joints must be sealed using either high temperature sealant W573-0002 (not supplied) or the high temperature sealant W573-0007 Mill Pac (not supplied). However, the high temperature sealant W573-0007 Mill Pac (not supplied) must be used on the joint connecting the 4" flexible vent pipe and the exhaust flue collar.

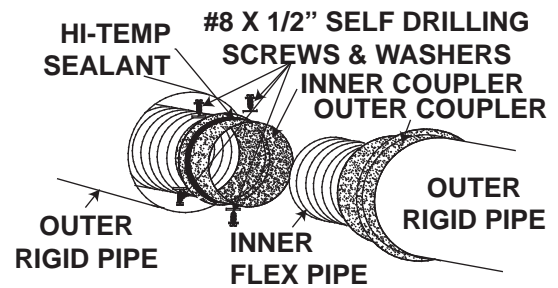
- A. Stretch the inner flex pipe to the required length taking into account the additional length needed for the finished wall surface. Apply a heavy bead of the high temperature sealant W573-0007 Mill Pac (not supplied) to the inner sleeve of the air terminal. Slip the vent pipe a minimum of 2" over the inner sleeve of the air terminal and secure with 3 #8 screws.



- B. Using the outer rigid pipe, slide over the outer combustion air sleeve of the air terminal and secure with 3 #8 screws. Seal using high temperature sealant W573-0002 (not supplied).
- C. Insert the vent pipes through the firestop maintaining the required clearance to combustibles. Holding the air terminal (lettering in an upright, readable position), secure to the exterior wall and make weather tight by sealing with caulk (not supplied).

- D. From inside the house, using silicone, seal between the vent pipe and the firestop. Then slide the black trim collar over the vent pipe up to the firestop.

- E. If more vent pipe needs to be used to reach the appliance, couple them together as illustrated. The vent system must be supported approximately every 3 feet for both vertical and horizontal runs. Use noncombustible strapping to maintain the minimum clearance to combustibles.



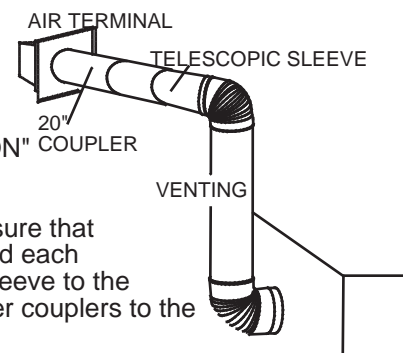
**The air terminal mounting plate may be recessed into the exterior wall or siding no greater than the depth of its return flange.**

23.7B

#### 4.1.5 EXTENDED HORIZONTAL AND CORNER TERMINAL INSTALLATION

A 45° corner installation can have 0" rise between the appliance combustion air collar and the air terminal. In this case, vent lengths must be kept to a maximum of 24". For longer vent lengths, a minimum vertical rise of 24" is required.

- A. Follow the instructions for "HORIZONTAL AIR TERMINAL INSTALLATION" section.
- B. Continue adding components alternating inner and outer vent pipes. Ensure that all inner vent pipes and elbows have sufficient vent spacers attached and each component is securely fastened to the one prior. Attach the telescopic sleeve to the vent run. Secure and seal. To facilitate completion, attach inner and outer couplers to the air terminal.
- C. Install the air terminal. See "HORIZONTAL AIR TERMINAL INSTALLATION" section. Extend the outer telescopic sleeve; connect to the air terminal assembly. Fasten with self tapping screws and seal.



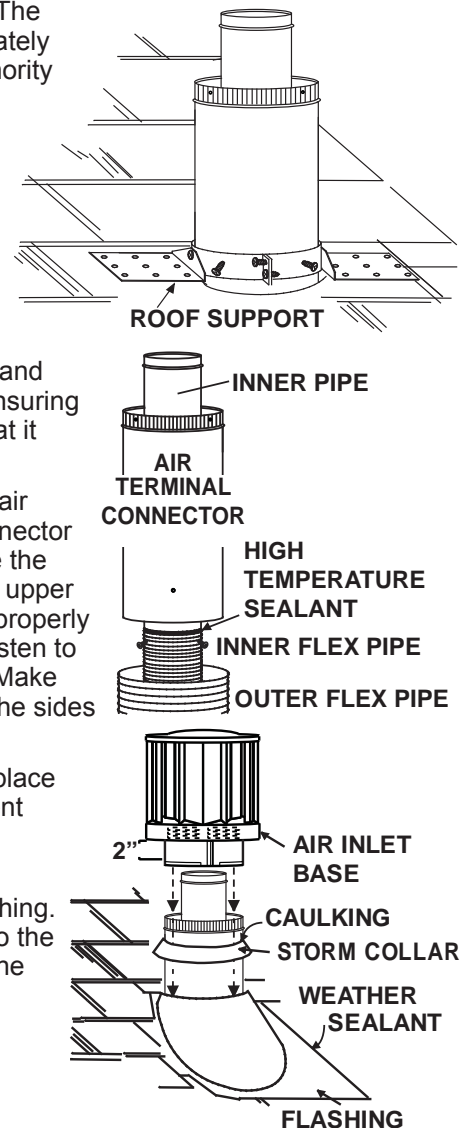
48.2



## 4.1.6 VERTICAL AIR TERMINAL INSTALLATION

**! WARNING****MAINTAIN A MINIMUM 2" SPACE BETWEEN THE AIR INLET BASE AND THE STORM COLLAR.**

- A. Fasten the roof support to the roof using the screws provided. The roof support is optional. In this case the venting is to be adequately supported using either an alternate method suitable to the authority having jurisdiction or the optional roof support.
- B. Stretch the inner flex pipe to the required length. Slip the inner flex pipe a minimum of 2" over the inner pipe of the air terminal connector and secure with 3 #8 screws. Seal using a heavy bead of high temperature sealant W573-0007 (not supplied).
- C. Repeat using the outer flex pipe, using a heavy bead of high temperature sealant W573-0002 (not supplied).
- D. Thread the air terminal connector / vent pipe assembly down through the roof. The air terminal must be positioned vertically and plumb. Attach the air terminal connector to the roof support, ensuring that the top of the air terminal is 16" above the highest point that it penetrates the roof.
- E. Remove nails from the shingles, above and to the sides of the air terminal connector. Place the flashing over the air terminal connector leaving a min. 3/4" of the air terminal connector showing above the top of the flashing. Slide the flashing underneath the sides and upper edge of the shingles. Ensure that the air terminal connector is properly centred within the flashing, giving a 3/4" margin all around. Fasten to the roof. Do not nail through the lower portion of the flashing. Make weather-tight by sealing with caulking. Where possible, cover the sides and top edges of the flashing with roofing material.
- F. Aligning the seams of the terminal and air terminal connector, place the terminal over the air terminal connector making sure the vent pipe goes into the hole in the terminal. Secure with the three screws provided.
- G. Apply a heavy bead of weatherproof caulking 2" above the flashing. Install the storm collar around the air terminal and slide down to the caulking. Tighten to ensure that a weather-tight seal between the air terminal and the collar is achieved.
- H. If more vent pipe needs to be used to reach the appliance see "HORIZONTAL AIR TERMINAL INSTALLATION" section.



24.1

## 4.2 MOBILE HOME INSTALLATION

This appliance is also certified to be installed as an OEM (Original Equipment Manufacturer) installation in a manufactured home (U.S. only) or mobile home and must be installed in accordance with the manufacturer's instructions and the Manufactured Home Construction and Safety Standard, Title 24 CFR, Part 3280, in the United States or the Mobile Home Standard, CAN/CSA Z240 MH Series, in Canada. This appliance is only for use with the type(s) of gas indicated on the rating plate.

This Mobile/Manufactured Home Listed appliance comes factory equipped with a means to secure the unit. Built in appliances are equipped with 1/4" diameter holes located in the front left and right corners of the base. Use #10 hex head screws, inserted through the holes in the base to secure. For free standing products contact your local authorized dealer / distributor for the appropriate securing kit. For mobile home installations, the appliance must be fastened in place. It is recommended that the appliance be secured in all installations. Always turn off the pilot and the fuel supply at the source, prior to moving the mobile home. After moving the mobile home and prior to lighting the appliance, ensure that the logs are positioned correctly.

This appliance is certified to be installed in an aftermarket permanently located, manufactured (mobile) home, where not prohibited by local codes.

This appliance is only for use with the type of gas indicated on the rating plate. This appliance is not convertible for use with other gases, unless a certified kit is used.


A conversion kit is supplied with the mobile home appliance.

#### Conversion Kits

This appliance is field convertible between Natural Gas (NG) and Propane (LP).

To convert from one gas to another consult your Authorized dealer/distributor.

## 4.3 GAS INSTALLATION

 <b>WARNING</b>
<b>RISK OF FIRE, EXPLOSION OR ASPHYXIATION. ENSURE THERE ARE NO IGNITION SOURCES SUCH AS SPARKS OR OPEN FLAMES.</b>
<b>SUPPORT GAS CONTROL WHEN ATTACHING GAS SUPPLY PIPE TO PREVENT DAMAGING GAS LINE.</b>
<b>ALWAYS LIGHT THE PILOT WHETHER FOR THE FIRST TIME OR IF THE GAS SUPPLY HAS RUN OUT WITH THE GLASS DOOR OPENED OR REMOVED. PURGING OF THE GAS SUPPLY LINE SHOULD BE PERFORMED BY A QUALIFIED SERVICE TECHNICIAN. ASSURE THAT A CONTINUOUS GAS FLOW IS AT THE BURNER BEFORE CLOSING THE DOOR. ENSURE ADEQUATE VENTILATION. FOR GAS AND ELECTRICAL LOCATIONS, SEE “DIMENSION” SECTION.</b>
<b>ALL GAS CONNECTIONS MUST BE CONTAINED WITHIN THE APPLIANCE WHEN COMPLETE.</b>
<b>HIGH PRESSURE WILL DAMAGE VALVE. DISCONNECT GAS SUPPLY PIPING BEFORE TESTING GAS LINE AT TEST PRESSURES ABOVE 1/2 PSIG.</b>
<b>VALVE SETTINGS HAVE BEEN FACTORY SET, DO NOT CHANGE.</b>

Installation and servicing to be done by a qualified installer.

- A. Move the appliance into position and secure.
- B. If equipped with a flex connector the appliance is designed to accept a 1/2” gas supply. Without the connector it is designed to accept a 3/8” gas supply. The appliance is equipped with a manual shut off valve to turn off the gas supply to the appliance.
- C. Connect the gas supply in accordance to local codes. In the absence of local codes, install to the current CAN/CSA-B149.1 Installation Code in Canada or to the current National Fuel Gas Code, ANSI Z223.1 / NFPA 54 in the United States.
- D. When flexing any gas line, support the gas valve so that the lines are not bent or kinked.
- E. The gas line flex-connector should be installed to provide sufficient movement for shifting the burner assembly on it's side to aid with servicing components.
- F. Check for gas leaks by brushing on a soap and water solution. **Do not use open flame.**

30.1A

4.4 MINIMUM CLEARANCE TO COMBUSTIBLES

**Minimum clearance to combustible construction from appliance and vent surfaces:**

<b>A</b>	-	2"
<b>B</b>	-	5"
<b>C</b>	-	2"

**Combustible Framing:**

- 1" to bottom and sides of the vent pipe\*
- 2" to top of the vent pipe\*

**NOTE: Appliance should not be installed directly on carpeting.**

**Rear Exit:**

- 47 1/2" to ceiling from base of the appliance

**Top Exit:**

- 51" to ceiling from base of the appliance\*\*

**\* HORIZONTAL VENT SECTIONS:**

A minimum clearance of 1" at the bottom and sides and 2" at the top of the vent pipe in all horizontal runs to combustibles is required. Use firestop spacer W010-1313 and shield W585-0240 (supplied).

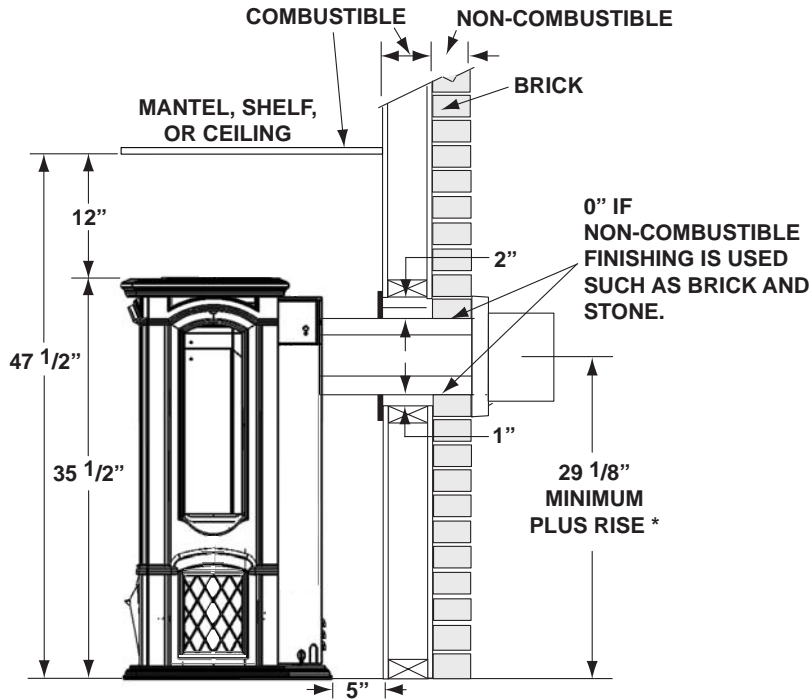
**\* VERTICAL VENT SECTIONS:**

A minimum of 1" all around the vent pipe on all vertical runs to combustibles is required. Use firestop spacer W010-1313 (supplied).

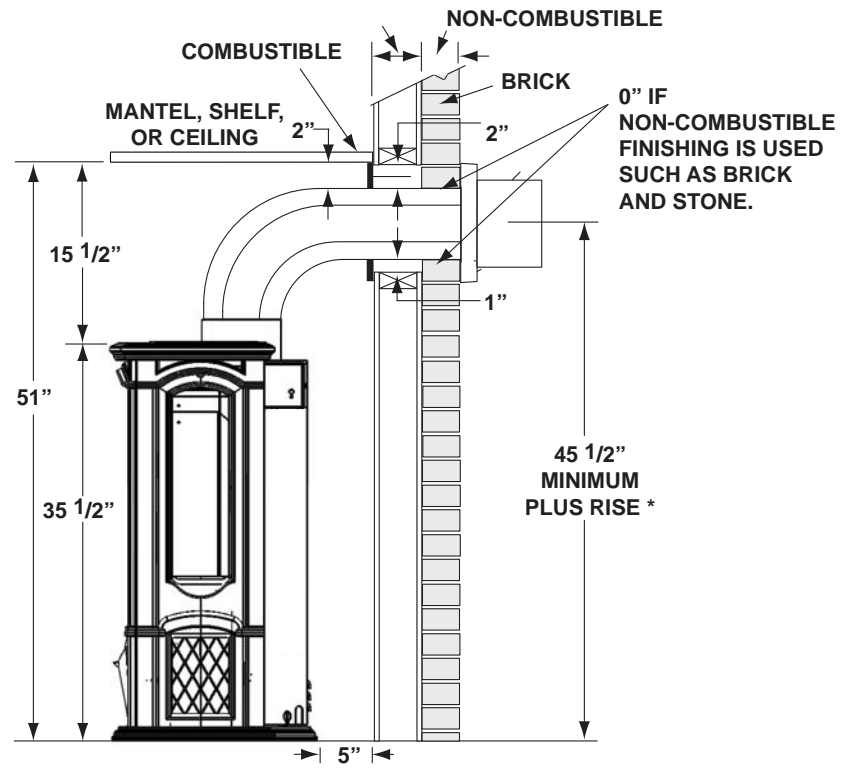
\*\* For top vent vertical termination, see "REAR EXIT" for specific clearances.

At a distance of 2" from the wall, installation or service to the blower may not be practical. A minimum of 5" will be required in order to install or service the blower.

**REAR EXIT**



The appliance requires a minimum ceiling height of 47 1/2" for a rear vent. For temperature requirements, the space around and above the appliance must be left unobstructed.

**TOP EXIT**

The appliance requires a minimum ceiling height of 51" for a top vent horizontal termination. For top vent vertical termination, see "REAR EXIT" for specific clearances. For temperature requirements, the space around and above the appliance must be left unobstructed.

# 5.0 ELECTRICAL CONNECTION

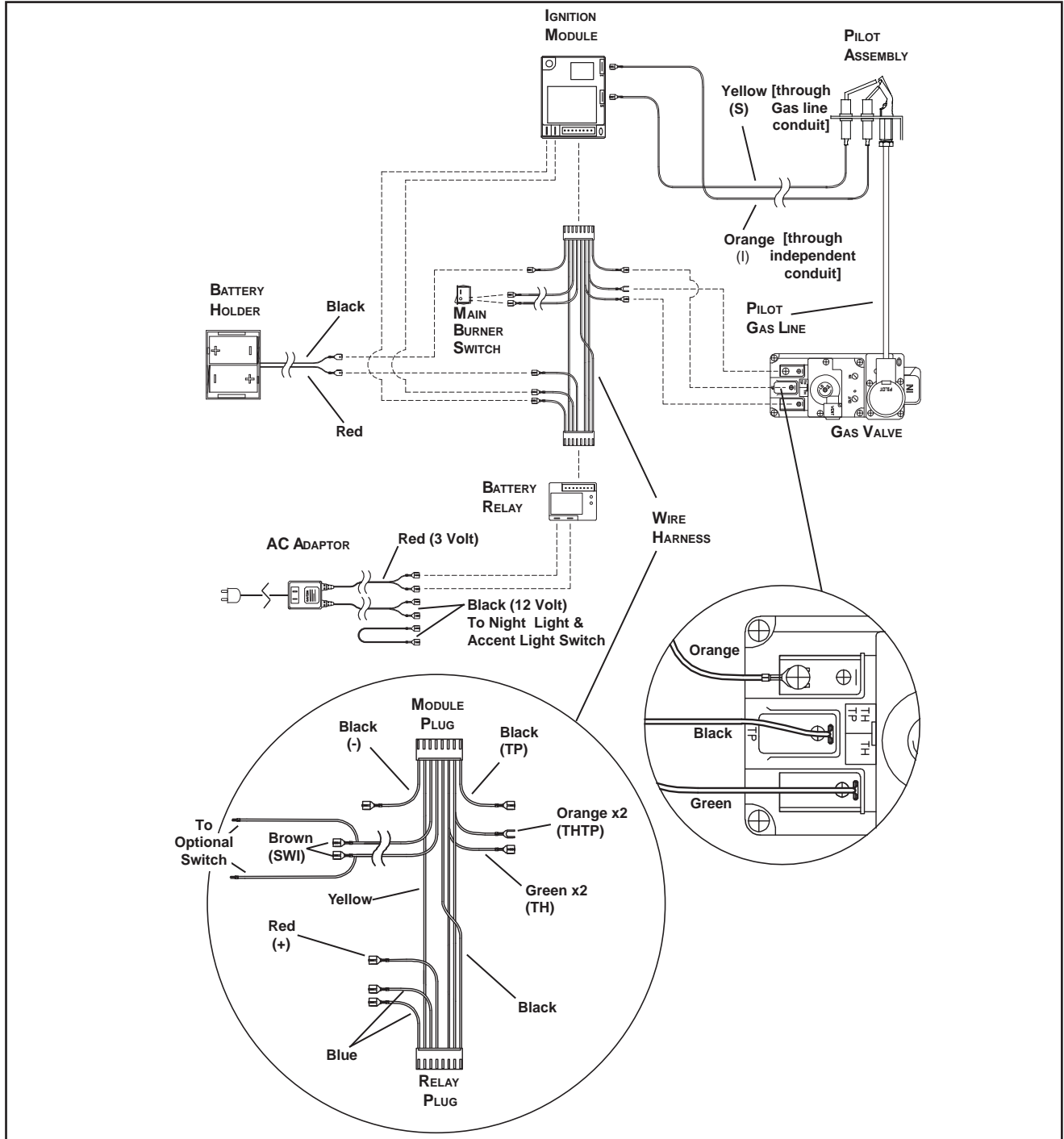
## 5.1 WIRING DIAGRAM

The main burner on/off switch and Night Light™ switch is located behind lower access panel. For ease of accessibility, optional remote wall switches may be installed in a convenient location for both burner and light operation.

The recommended maximum lead length depends on wire size:

WIRE SIZE	MAX. LENGTH
14 gauge	100 feet
16 gauge	60 feet
18 gauge	40 feet

Route 2-strand (solid core) wire through the electrical hole located at the bottom left side of the appliance. Connect the wires from the wall switch to the two corresponding spade connectors on the back of the on/off switches located behind the lower access panel.



## 6.0 FINISHING

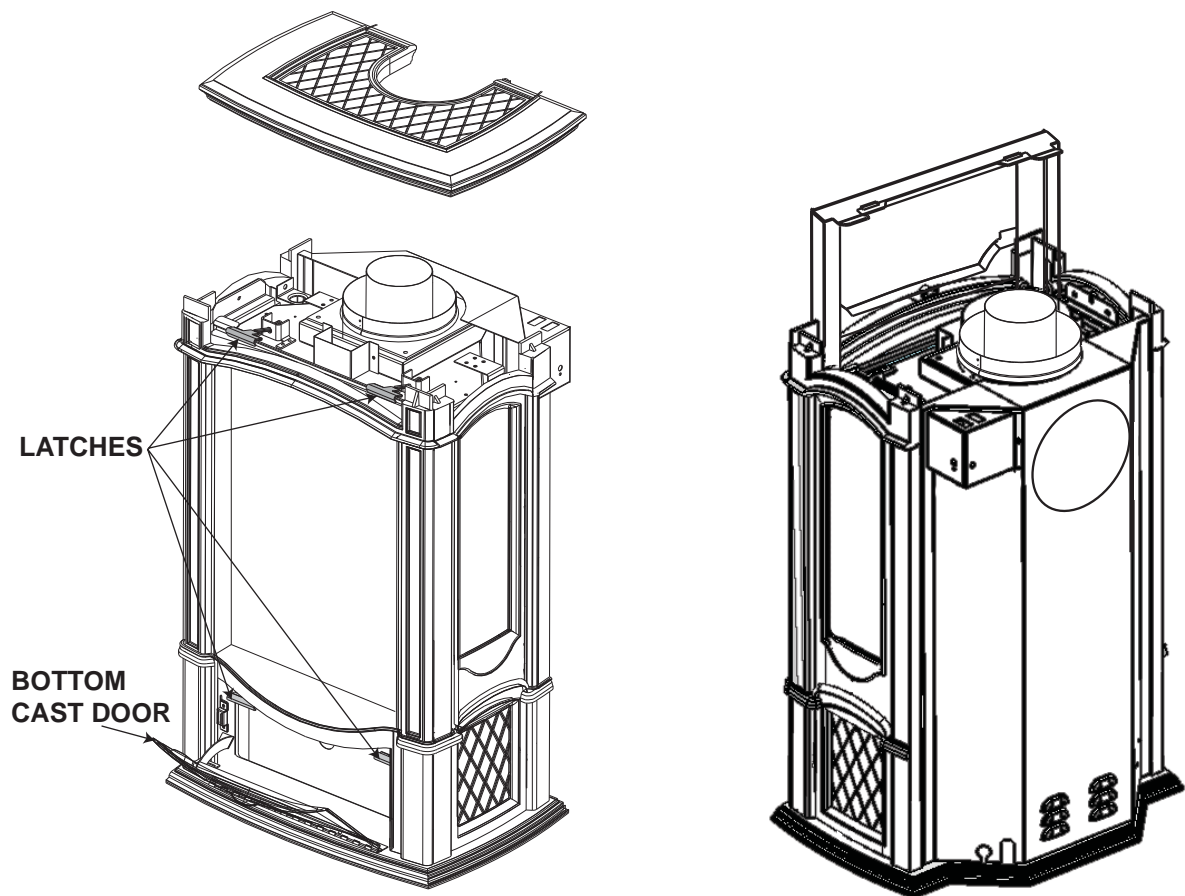
### 6.1 GLASS DOOR

#### **REMOVAL:**

- Before the glass door can be removed, the top cast must be removed and the bottom cast door opened.
- The glass door is secured to the top and front bottom edges of the firebox with four spring latches. Pull forward on the latches and away from the door to release.
- Slide the door forward off its support and lift straight up to remove.

#### **INSTALLATION:**

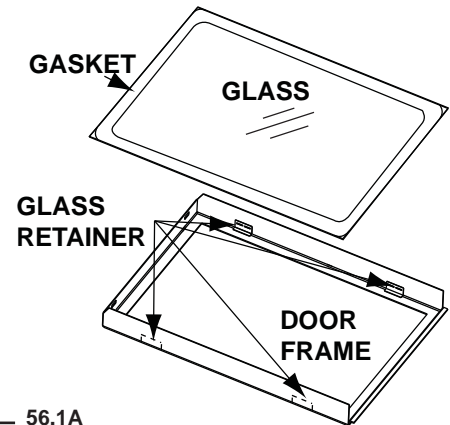
- Slide the door in between the cast front and appliance and rest the door on the door support, centred on the firebox opening.
- Engage all four spring handles.
- Replace cast top.



## 6.2 DOOR GLASS REPLACEMENT

<b>! WARNING</b>
<b>DO NOT USE SUBSTITUTE MATERIALS.</b>
<b>GLASS MAY BE HOT, DO NOT TOUCH GLASS UNTIL COOLED.</b>
<b>CARE MUST BE TAKEN WHEN REMOVING AND DISPOSING OF ANY BROKEN DOOR GLASS OR DAMAGED COMPONENTS. BE SURE TO VACUUM UP ANY BROKEN GLASS FROM INSIDE THE APPLIANCE BEFORE OPERATION.</b>
<b>DO NOT STRIKE, SLAM OR SCRATCH GLASS. DO NOT OPERATE APPLIANCE WITH GLASS REMOVED, CRACKED, BROKEN OR SCRATCHED.</b>

- A. Place the door frame face down careful not to scratch the paint.
- B. Center the gasketed glass inside the door frame with the thick side of the gasket facing up.
- C. Bend the glass retainers located along the edge of the door frame over the gasket holding the glass in place. Careful not to break the glass.



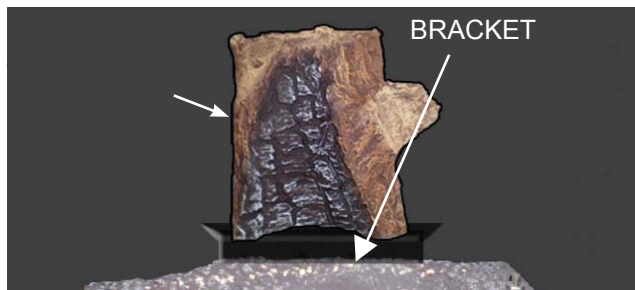
56.1A

## 6.3 LOG PLACEMENT

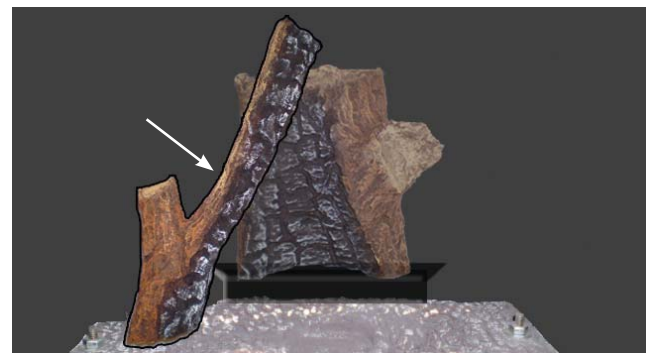
<b>! WARNING</b>
<b>FAILURE TO POSITION THE LOGS IN ACCORDANCE WITH THESE DIAGRAMS OR FAILURE TO USE ONLY LOGS SPECIFICALLY APPROVED WITH THIS APPLIANCE MAY RESULT IN PROPERTY DAMAGE OR PERSONAL INJURY.</b>
<b>LOGS MUST BE PLACED IN THEIR EXACT LOCATION IN THE APPLIANCE. DO NOT MODIFY THE PROPER LOG POSITIONS, SINCE APPLIANCE MAY NOT FUNCTION PROPERLY AND DELAYED IGNITION MAY OCCUR.</b>
<b>THE LOGS ARE FRAGILE AND SHOULD BE HANDLED WITH CARE.</b>

76.1A

In order to assemble the log set, the glass door must be removed, see "GLASS DOOR INSTALLATION AND REMOVAL" section.

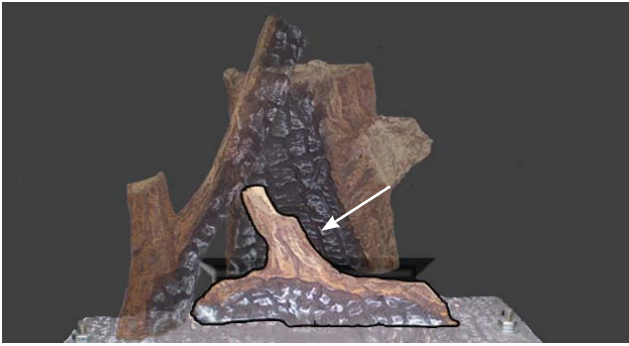


- A. Place the rear log as shown, ensuring the holes on the underside are placed onto the 2 pins of the log support.

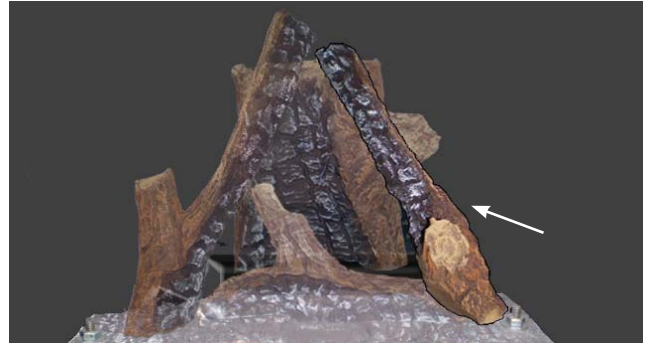


- B. Place the left log as shown, ensuring the hole on the underside is placed onto the burner pin. This will rest on the left side of the rear log.





- C. Place the center log as shown, follow contour of burner and ensure port holes are not covered.



- D. Place the hole in the underside of the right log onto the locating pin, on the burner base and rests against the rear log as shown.
- E. Re-install the glass door.

## 6.4 CHARCOAL EMBERS

Randomly place the charcoal embers along the front and sides of the log support tray in a realistic manner.

**Fine dust found in the bottom of the bag should not be used.**

**NOTE: Charcoal embers are not to be placed on the burner.**

## 6.5 VERMICULITE

Sprinkle vermiculite around the charcoal embers.

**NOTE: Vermiculite is not to be placed on the burner.**

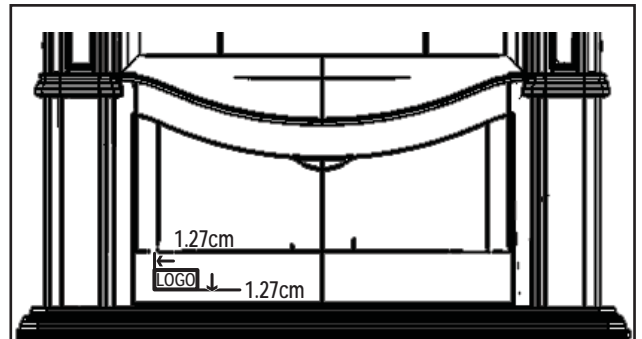
## 6.6 GLOWING EMBERS

Tear the embers into pieces and place along the burner ports covering all of the burner. Care should be taken to shred the embers into thin, small irregular pieces as only the exposed edges of the fibre hairs will glow. The ember material will only glow when exposed to direct flame; however, care should be taken to not block the burner ports.

Blocked burner ports can cause an incorrect flame pattern, carbon deposits and delayed ignition. Phazer™ logs glow when exposed to direct flame. Use only certified "glowing embers" and Phazer™ logs available from your Napoleon® dealer.

## 6.7 LOGO PLACEMENT

Remove the backing from the logo and position onto the control door as shown.



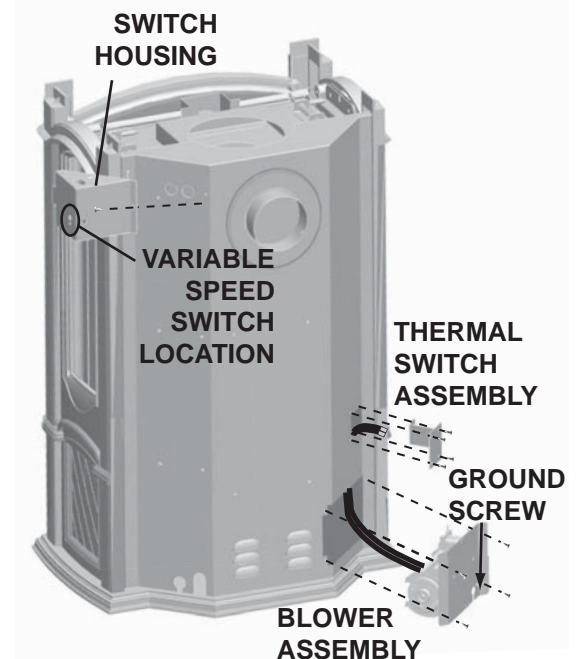
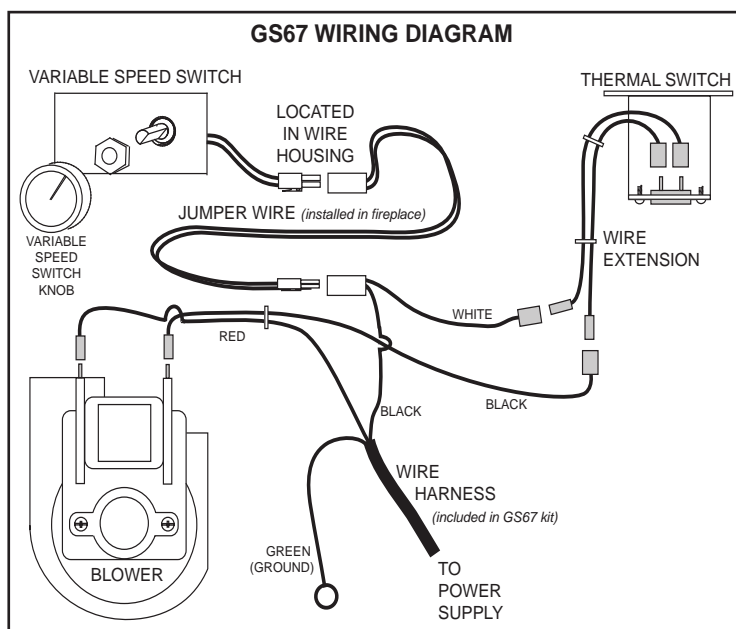
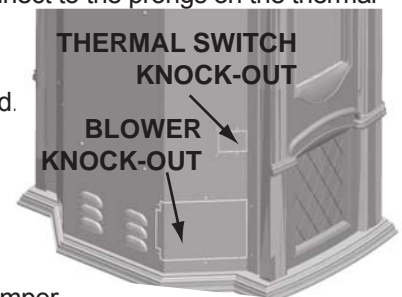
## 7.0 OPTIONAL BLOWER INSTALLATION

**! WARNING****RISK OF FIRE AND ELECTRICAL SHOCK.****TURN OFF THE GAS AND ELECTRICAL POWER BEFORE SERVICING THIS APPLIANCE.****USE ONLY WOLF STEEL APPROVED OPTIONAL ACCESSORIES AND REPLACEMENT PARTS WITH THIS APPLIANCE. USING NON-LISTED ACCESSORIES (BLOWERS, DOORS, LOUVRES, TRIMS, GAS COMPONENTS, VENTING COMPONENTS, ETC.) COULD RESULT IN A SAFETY HAZARD AND WILL VOID THE WARRANTY AND CERTIFICATION.****ENSURE THAT THE FAN'S POWER CORD IS NOT IN CONTACT WITH ANY SURFACE OF THE APPLIANCE TO PREVENT ELECTRICAL SHOCK OR FIRE DAMAGE. DO NOT RUN THE POWER CORD BENEATH THE APPLIANCE.****THE WIRE HARNESS PROVIDED IN THE BLOWER KIT IS A UNIVERSAL HARNESS. WHEN INSTALLED, ENSURE THAT ANY EXCESS WIRE IS CONTAINED, PREVENTING IT FROM MAKING CONTACT WITH MOVING OR HOT OBJECTS.**

51.5

**ELECTRICAL INSTALLATION TO BE DONE BY A QUALIFIED INSTALLER** and must be connected and grounded in accordance with local codes. In the absence of local codes, use the current CSA C22.1 Canadian Electrical Code in Canada or the current ANSI/NFPA 70 National Electrical Code in the United States.

- A. Break out the blower and thermal switch knock-outs from the rear panel.
- B. Fish the wire extension through the blower knock-out as shown and connect to the prongs on the thermal switch.
- C. Ensure the thermal switch is touching the wall of the firebox. Secure the thermal switch assembly to the rear panel using 4 of # 8 screws supplied.
- D. Connect the variable speed switch to the jumper wire (installed in the appliance) located just inside the larger knock out area.
- E. Insert the blower assembly into the rear panel and secure using the remaining #8 screws supplied.
- F. Remove the switch housing, connect the variable speed switch to the jumper wire and mount the switch to the side of the housing. Attach and secure the variable speed switch using the nut provided. Reinstall the switch housing. Install the variable speed switch knob.



## 8.0 OPERATION

### **! WARNING**

**IF YOU DO NOT FOLLOW THESE INSTRUCTIONS EXACTLY, A FIRE OR EXPLOSION MAY RESULT CAUSING PROPERTY DAMAGE, PERSONAL INJURY OR LOSS OF LIFE.**

**ALWAYS LIGHT THE PILOT WHETHER FOR THE FIRST TIME OR IF THE GAS SUPPLY HAS RUN OUT WITH THE GLASS DOOR OPENED OR REMOVED.**

Ensure that a continuous gas flow is at the burner before installing the door. When lit for the first time, the appliance will emit an odor for a few hours. This is a normal temporary condition caused by the "burn-in" of paints and lubricants used in the manufacturing process and will not occur again. After extended periods of non-operation such as following a vacation or a warm weather season, the appliance may emit a slight odor for a few hours. This is caused by dust particles in the heat exchanger burning off. In both cases, open a window to sufficiently ventilate the room.

#### FOR YOUR SAFETY READ BEFORE LIGHTING:

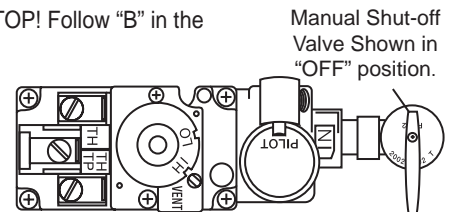
- A. This appliance is equipped with an ignition device which automatically lights the pilot. Do not try to light by hand.
- B. Before operating smell all around the appliance area for gas and next to the floor because some gas is heavier than air and will settle on the floor.
- C. Use only your hand to turn the gas control knob. Never use tools. If the knob will not turn by hand, do not try to repair it. Call a qualified service technician. Force or attempted repair may result in a fire or explosion.
- D. Do not use this appliance if any part has been under water. Immediately call a qualified service technician to inspect the appliance and replace any part of the control system and any gas control which has been under water.

#### WHAT TO DO IF YOU SMELL GAS:

- Turn off all gas to the appliance.
- Open windows.
- Do not try to light any appliance.
- Do not touch any electric switch; do not use any phone in your building.
- Immediately call your gas supplier from a neighbor's phone. Follow the gas supplier's instructions.
- If you cannot reach your gas supplier, call the fire department.

#### LIGHTING INSTRUCTIONS:

1. Stop! Read the above safety information on this label.
2. Turn remote wall switch to off position.
3. Turn off all electrical power to the appliance and remove batteries.
4. This appliance is equipped with an ignition device which automatically lights the pilot. Do not try to light the pilot by hand.
5. Turn manual shutoff valve clockwise to off.
6. Open the glass door.
7. Wait five (5) minutes to clear out any gas. If you smell gas including near the floor, STOP! Follow "B" in the above safety information on this label. If you don't smell gas go to the next step.
8. Close the glass door.
9. Turn manual shutoff valve counter-clockwise to on.
10. Turn on all electrical power to the appliance and re-install batteries.
11. Turn on remote wall switch to on position.
12. If appliance will not operate, follow instructions "TO TURN OFF GAS" and call your service technician or gas supplier.

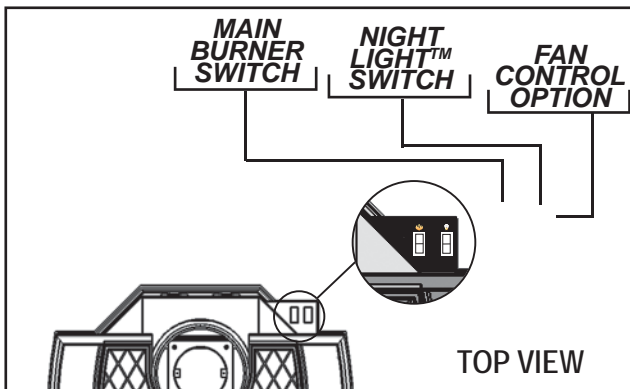


#### TO TURN OFF GAS

1. Turn off remote wall switch to the appliance.
2. Turn off all electrical power to the appliance if service is to be performed.
3. Turn manual shutoff valve clockwise to off. Do not force.

47.6

## 8.1 SWITCH FUNCTIONS



#### MAIN BURNER SWITCH

This switch turns the Main Burner on and off.

#### NIGHT LIGHT™ SWITCH

This switch turns the Night Light™ on and off.

#### FAN CONTROL OPTION

If installed this switch will turn on and off the power to the blower and control the fan speed. There is also a thermally activated switch that will only let the blower come on once the appliance has reached a comfortable temperature.

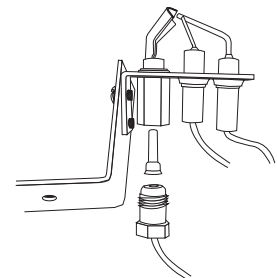
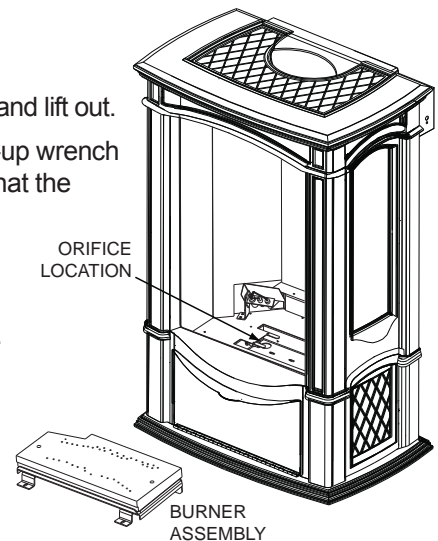
## 9.0 ADJUSTMENTS

### 9.1 PILOT INJECTOR AND ORIFICE REPLACEMENT

#### ! WARNING

**THIS INSTALLATION SHOULD BE DONE BY A QUALIFIED INSTALLER AND SHALL BE IN COMPLIANCE WITH LOCAL CODES. IN THE ABSENCE OF LOCAL CODES, USE THE CURRENT CAN1-B149 INSTALLATION CODE IN CANADA, OR THE CURRENT NATIONAL FUEL GAS CODE ANSI Z223.1 IN THE UNITED STATES.**

- A. Turn off the electrical and gas supply to the appliance.
- B. Remove the cast front, glass viewing door and log set.
- C. Remove the 2 securing screws. Slide the burner assembly to the right and lift out.
- D. Using a deep socket wrench, remove the main burner orifice. A back-up wrench must be used on the manifold, located below the housing to ensure that the aluminum tubing does not twist or kink. Replace the correct burner orifice using pipe thread compound.
- E. Loosen nut and replace with appropriate injector
- F. Reinstall the burner ensuring that the Venturi tube fits over the orifice.  
**NOTE: Check and adjust, if necessary, the primary air to 3/8" for propane and 3/16" for natural gas. Replace the screws.**
- G. Turn on the gas supply and check for gas leaks by brushing on a soap and water solution.  
**DO NOT USE OPEN FLAME.**
- H. Replace the log set. Then light the pilot and main burner to ensure that the gas lines have been purged.
- I. Replace the glass viewing door and cast front. Turn on the electrical supply to the appliance.



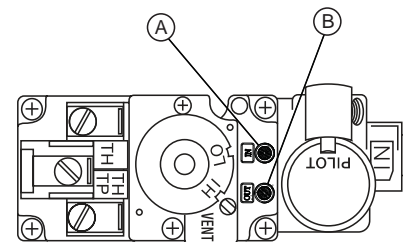
Purge all gas lines with the glass door removed. Assure that a continuous flow is at the burner before re-installing the door.

### 9.2 PRESSURE CHECK

#### **Check Pressure Readings:**

Inlet pressure can be checked by turning screw (A) counter-clockwise 2 or 3 turns and then placing pressure gauge tubing over the test point. Gauge should read 7" (minimum 4.5") water column for natural gas or 13" (11" minimum) water column for propane. Check with main burner operating on "HI".

Outlet pressure can be checked the same as above using screw (B). Gauge should read 3.5" water column for natural gas or 10" water column for propane. Check with main burner operating on "HI".

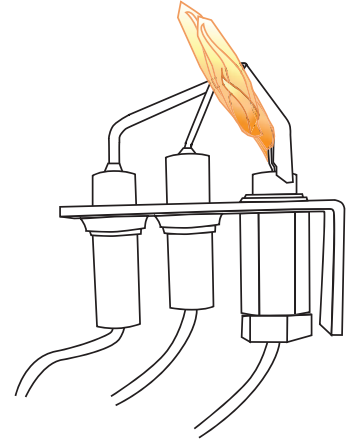


**AFTER TAKING PRESSURE READINGS, BE SURE TO TURN SCREWS CLOCKWISE FIRMLY TO RESEAL. DO NOT OVERTORQUE.**

Leak test with a soap and water solution.

### 9.3 FLAME CHARACTERISTICS

It's important to periodically perform a visual check of the pilot and burner flames. Compare them to the illustrations provided. If any flames appear abnormal call a service person.

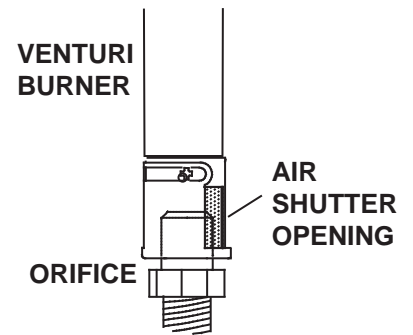


54.3

### 9.4 VENTURI ADJUSTMENT

This appliance has an air shutter that has been factory set open according to the chart below:

Regardless of venturi orientation, closing the air shutter will cause a more yellow flame, but can lead to carboning. Opening the air shutter will cause a more blue flame, but can cause flame lifting from the burner ports. The flame may not appear yellow immediately; allow 15 to 30 minutes for the final flame colour to be established.



49.1

**AIR SHUTTER ADJUSTMENT MUST ONLY BE DONE BY A QUALIFIED INSTALLER!**

GDS26	
NG	3/16"
LP	3/8"

### 9.5 RESTRICTING VERTICAL VENTS

Vertical installations may display a very active flame. If this appearance is not desirable, the vent exit must be restricted using a restrictor vent kit. Refer to "ACCESORIES" in the "REPLACEMENTS" section for the appropriate kit. This will reduce the velocity of the exhaust gases, slowing down the flame pattern and creating a more traditional gentle flame appearance. Specific instructions are included with the kit.

77.3

## 10.0 MAINTENANCE

**! WARNING****TURN OFF THE GAS AND ELECTRICAL POWER BEFORE SERVICING THE APPLIANCE.****APPLIANCE MAY BE HOT, DO NOT SERVICE UNTIL APPLIANCE HAS COOLED.****DO NOT USE ABRASIVE CLEANERS.**

**CAUTION:** Label all wires prior to disconnection when servicing controls. Wiring errors can cause improper and dangerous operation. Verify proper operation after servicing. This appliance and its venting system should be inspected before use and at least annually by a qualified service person. The appliance area must be kept clear and free of combustible materials, gasoline or other flammable vapors and liquids. The flow of combustion and ventilation air must not be obstructed.

- A. In order to properly clean the burner and pilot assembly, remove the logs, rocks and/or glass to expose both assemblies.
- B. Keep the control compartment, media, burner, air shutter opening and the area surrounding the logs clean by vacuuming or brushing, at least once a year.
- C. Check to see that all burner ports are burning. Clean out any of the ports which may not be burning or are not burning properly.
- D. Check to see that the pilot flame is large enough to engulf the flame sensor and/or thermocouple / thermopile as well as reaches the burner.
- E. Replace the cleaned logs, rocks or glass. Failure to properly position the media may cause carboning which can be distributed in the surrounding living area.
- F. Check to see that the main burner ignites completely on all openings when turned on. A 5 to 10 second total light-up period is satisfactory. If ignition takes longer, consult your local authorized dealer / distributor.
- G. Check that the gasketing on the sides, top and bottom of the door is not broken or missing. Replace if necessary.
- H. If for any reason the vent air intake system is disassembled, re-install and re-seal per the instructions provided for the initial installation.

40.1

## 10.1 NIGHT LIGHT™ REPLACEMENT

## 10.1.1 BULB REPLACEMENT

The GDS26 comes equipped with our "Night Light™". If in the event the lamp or lens needs to be replaced, follow these instructions.

- A. Turn off all electrical supply.
- B. Remove the front and door from the firebox.
- C. Unscrew the lens cover making sure the washer stays in place.  
**NOTE: Do not handle the lamp (bulb) with bare fingers, protect with a clean dry cloth.**
- D. The lamp will pull straight out of the socket. Replace with Wolf Steel Ltd. parts only (W387-0006), as lamp and lens are special "high temperature" products.
- E. Replace lens with gasket, lens covers, attach wires to quick connects and replace the door when finished.  
**NOTE: The firebox must be sealed.**



**When re-assembling the light assembly, care must be taken. "Light Leakage" from above the cast doors may be noticed. The holes in the lamp housing are necessary for ventilation and must not be covered.**



### 10.1.2 LENS ASSEMBLY INSTALLATION

- A. Remove the door from the firebox.
- B. Run the wires up through the lens hole.
- C. Align key hole with lens assembly.
- D. Snap into place.
- E. Replace light shields, attach the wires and replace the door to the firebox.



### 10.1.3 LENS ASSEMBLY REPLACEMENT

- A. Remove the front door and top shield from the firebox.
- B. Compress the retainer fins in with a screw driver while pressing firmly on the top of the light assembly.
- C. Once all the retainer fins are pushed in the lens assembly will snap out of place.



## 10.2 CARE OF GLASS

**DO NOT CLEAN GLASS WHEN HOT! DO NOT USE ABRASIVE CLEANERS TO CLEAN GLASS.**

Buff lightly with a clean dry soft cloth. Clean both sides of the glass after the first 10 hours of operation with a recommended fireplace glass cleaner. Thereafter clean as required. If the glass is not kept clean permanent discoloration and / or blemishes may result.



5.1

# 11.0 REPLACEMENTS

Contact your dealer or the factory for questions concerning prices and policies on replacement parts. Normally all parts can be ordered through your Authorized dealer / distributor.

**FOR WARRANTY REPLACEMENT PARTS, A PHOTOCOPY OF THE ORIGINAL INVOICE WILL BE REQUIRED TO HONOUR THE CLAIM.**

When ordering replacement parts always give the following information:

- Model & Serial Number of appliance
- Installation date of appliance
- Part number
- Description of part
- Finish

**\* IDENTIFIES ITEMS WHICH ARE NOT ILLUSTRATED. FOR FURTHER INFORMATION, CONTACT YOUR AUTHORIZED DEALER.**

## WARNING

**FAILURE TO POSITION THE PARTS IN ACCORDANCE WITH THIS MANUAL OR FAILURE TO USE ONLY PARTS SPECIFICALLY APPROVED WITH THIS APPLIANCE MAY RESULT IN PROPERTY DAMAGE OR PERSONAL INJURY.**

41.1

COMMON COMPONENTS		
REF NO.	PART NO.	DESCRIPTION
1	W135-0322	LOG #1- REAR
2	W135-0324	LOG #2 - RIGHT
3	W135-0323	LOG #3 - LEFT
4	W135-0325	LOG #4 - CENTER
5	GL-662	LOG SET
6	W725-0032	DEXEN VALVE - NG
6	W725-0049	DEXEN VALVE - LP
7	W010-1750	BURNER
8	W456-0042	#42 BURNER ORIFICE - NG
8	W456-0054	#54 BURNER ORIFICE - LP
9*	W455-0049	PILOT INJECTOR - LP
9*	W455-0071	PILOT INJECTOR - NG
10*	W720-0092	PILOT TUBE
11	W100-0069	PILOT ASSEMBLY - NG
11	W100-0093	PILOT ASSEMBLY - LP
12*	W385-0334	NAPOLEON® LOGO
13*	W660-0009	ON/OFF SWITCH
14*	W387-0009	HALOGEN BULB 5W
15*	W387-0010	LAMP, 5 WATT 12 VOLT
16	W135-0292**	CAST FRONT
17	W135-0291**	CAST SIDE (LEFT OR RIGHT) CAST
18	W135-0293**	CAST TOP
19*	W135-0294**	CAST CONTROL DOOR
20*	W135-0295**	CAST BASE
21	W010-2166	DOOR C/W GLASS AND GASKET
22*	W010-2180	GLASS AND GASKET
23	W430-0013	CONTROL DOOR MAGNET
24*	W361-0014	VERMICULITE

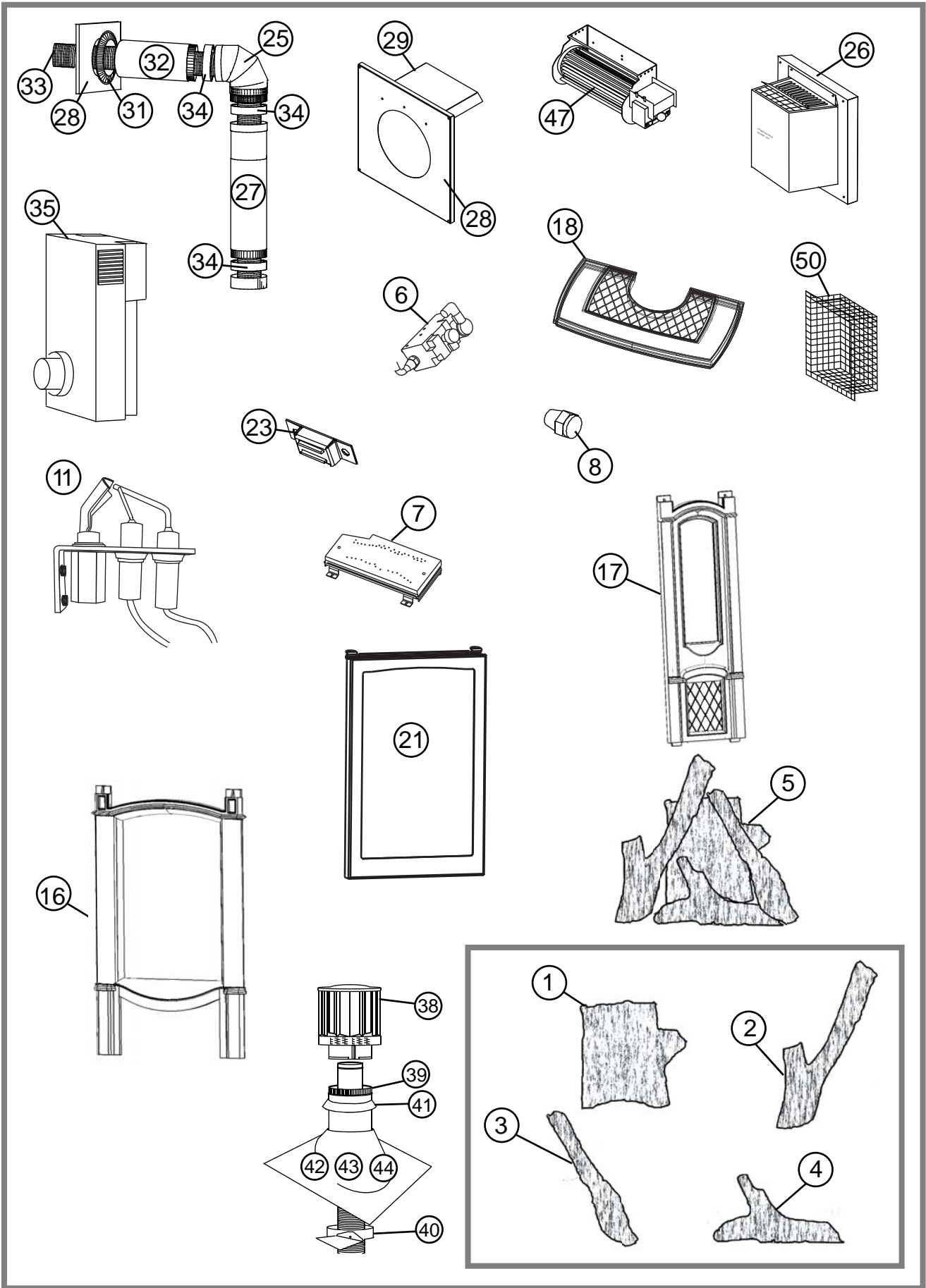
\*\*FOR OTHER AVAILABLE COLOURS, ADD THESE LETTERS TO THE BASE PART NUMBER:

COLOR	LETTER	FINISH
MOSS GREEN	M	PORCELAIN
MAJOLICA BROWN	N	PORCELAIN
CRACKLE WHITE	W	PORCELAIN



TERMINAL KITS		
REF NO.	PART NO.	DESCRIPTION
	<b>GD-175 - WALL TERMINAL KIT</b>	
25	BM6790	90° ELBOW - 7" DIAMETER
26	GD-222	TERMINAL ASSEMBLY
27	BM67ADJ	30" TO 53" ADJUSTABLE PIPE - 7" DIA
28	W010-1313	FIRESTOP SPACER
29	W585-0267	TOP VENT SHIELD
30*	W020-0032	HARDWARE
31	BR3730	BLACK TRIM COLLAR
32	BM6724	24" STOVE PIPE - 7" DIAMETER
33	W401-0001	10' FLEXIBLE VENT PIPE C/W SPACERS - 4" DIA
34	W025-0003	DECORATIVE METALLIC BLACK BAND
	<b>GD-180 - PERISCOPE TERMINAL KIT</b>	
25	BM6790	90° ELBOW - 7" DIAMETER
35	GD-201	PERISCOPE
27	BM67ADJ	30" TO 53" ADJUSTABLE PIPE - 7" DIA
28	W010-1313	FIRESTOP SPACER
29	W585-0267	TOP VENT SHIELD
30*	W020-0032	HARDWARE
31	BR3730	BLACK TRIM COLLAR
32	BM6724	24" STOVE PIPE - 7" DIAMETER
36	W010-0300	10' FLEXIBLE VENT PIPE C/W SPACERS - 4" DIA
34	W025-0003	DECORATIVE METALLIC BLACK BAND
	<b>GD177 - TERMINAL VENT KIT</b>	
26	GD-222	TERMINAL ASSEMBLY
31	BR3730	BLACK TRIM COLLAR
32	BM6724	24" STOVE PIPE - 7" DIAMETER
33	W401-0001	10' FLEXIBLE VENT PIPE C/W SPACERS - 4" DIA
37*	W020-0328	HARDWARE
ROOF TERMINAL KITS		
REF NO.	PART NO.	DESCRIPTION
	<b>GD-110 - 1/12 TO 7/12 PITCH</b>	
38	W670-0006	AIR TERMINAL
39	W490-0073	4/7 INNER / OUTER SLEEVE
40	W010-0567	ROOF SUPPORT
41	W170-0063	STORM COLLAR
42	W263-0054	ROOF FLASHING
	<b>GD-111 - 8/12 TO 12/12 PITCH</b>	
38	W670-0006	AIR TERMINAL
39	W490-0073	4/7 INNER / OUTER SLEEVE
40	W010-0567	ROOF SUPPORT
41	W170-0063	STORM COLLAR
43	W263-0055	ROOF FLASHING
	<b>GD-112 - FLAT ROOF</b>	
38	W670-0006	AIR TERMINAL
39	W490-0073	4/7 INNER / OUTER SLEEVE
40	W010-0567	ROOF SUPPORT
41	W170-0063	STORM COLLAR
44	W263-0056	ROOF FLASHING

ACCESSORIES		
REF NO.	PART NO.	DESCRIPTION
45*	W690-0001	MILLIVOLT THERMOSTAT
46*	W660-0011B	REMOTE CONTROL - ADVANTAGE PLUS
47	GS67	BLOWER KIT
48*	W175-0268	CONVERSION KIT - NG TO LP
49*	W175-0269	CONVERSION KIT - LP TO NG
50	GD-301	HEAT GUARD
51*	W175-0001	4" COUPLER
51*	GS332S	STOVE TOP INSET - SOAPSTONE
51*	GS332F	STOVE TOP INSET - GRANITE - GREEN
51*	GS332N	STOVE TOP INSET - GRANITE - BROWN
51*	GS26S	STOVE SIDE INSET - SOAPSTONE
51*	GS26F	STOVE SIDE INSET - GRANITE - GREEN
51*	GS26N	STOVE SIDE INSET - GRANITE - BROWN
52*	PRP19	PORCELAIN REFLECTIVE RADIANT PANELS
53*	GD839KT	DECORATIVE BRICK/STONE PANELS
54*	RP4	RESTRICTOR PLATE



## 12.0 TROUBLESHOOTING

**! WARNING**

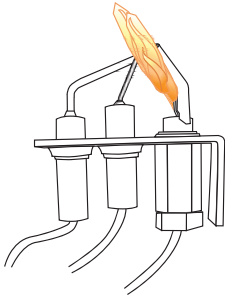
**ALWAYS LIGHT THE PILOT WHETHER FOR THE FIRST TIME OR IF THE GAS SUPPLY HAS RAN OUT, WITH THE GLASS DOOR OPEN OR REMOVED.**

**TURN OFF THE GAS AND ELECTRICAL POWER BEFORE SERVICING THE APPLIANCE.**

**APPLIANCE MAY BE HOT, DO NOT SERVICE UNTIL APPLIANCE HAS COOLED.**

**DO NOT USE ABRASIVE CLEANERS.**

SYMPTOM	PROBLEM	TEST SOLUTION
Pilot will not light.  Makes noise with no spark at pilot burner.	Wiring.	- Verify the wire for the sensor and the wire for the ignitor are connected to the correct terminals (not reversed) on the module. <b>NOTE:</b> Sensor has 3/16" connection and ignitor has 1/8" connection.
	Loose connection.	- Verify no loose connections, electrical shorts in the wiring or ground out to any metal object.
	Module.	- Turn the ON/OFF switch to the "OFF" position. Remove the igniter wire from the module. Place the ON/OFF switch to the "ON" position. Hold a grounded wire about 3/16" away from the ignitor (spark) terminal on the module. If no spark the ignitor terminal module must be replaced. If there is a spark the ignitor terminal is fine. Inspect pilot assembly for a shorted wire or cracked insulator around the electrode.
	Igniter Spark gap is incorrect.	- Spark gap of the ignitor to the pilot should be 1/8".
	Transformer.	- Verify the transformer is installed and plugged into the module. Check voltage of the transformer under load at the spade connections on the module with the ON/OFF switch in the "ON" position. Acceptable readings of a good transformer are between 6.2 and 7.0 volts A.C.
	Battery backup (if power is off)	- Check batteries.
	A shorted or loose Connection.	- Remove and reinstall the wiring harness that plugs into the module. Remove and verify continuity of each wire in wiring harness.
	Improper switch wiring.	- Troubleshoot the system with the simplest ON/OFF switch.
Pilot sparks but will not light.	Module is not grounded.	- Verify the valve and pilot assemblies are properly grounded to the metal chassis of the appliance or log set.
	Gas supply.	- Verify that the incoming gas line ball valve is "Open". Verify that the inlet pressure reading is within acceptable limits, inlet pressures must not exceed 14" W.C.
	Out of propane gas.	- Fill the tank.



SYMPTOM	PROBLEM	TEST SOLUTION
Carbon is being deposited on glass, logs, rocks, media or combustion chamber surfaces.	Air shutter has become blocked.	- Ensure air shutter opening is free of lint or other obstructions.
	Flame is impinging on the glass, logs, rocks, media or combustion chamber.	- Check that the glass, logs, rocks or media are correctly positioned. - Open air shutter to increase the primary air. - Check the input rate: check the manifold pressure and orifice size as specified by the rating plate values. - Check that the door gasketing is not broken or missing and that the seal is tight. - Check that both vent liners are free of holes and well sealed at all joints. - Check that minimum rise per foot has been adhered to for any horizontal venting.
Continues to spark and pilot lights, but main burner will not light.	Short or loose connection in sensor rod.	- Verify all connections. Verify the connections from the pilot assembly are tight; also verify these connections are not grounding out to any metal.
	Poor flame rectification or contaminated sensor rod.	- Verify the flame is engulfing the sensor rod. This will increase the flame rectification. Verify correct pilot orifice is installed and inlet gas specifications to manual. (Remember, the flame carries the rectification current, not the gas. If the flame lifts from pilot hood, the circuit is broken. A wrong orifice or too high of an inlet pressure can cause the pilot flame to lift.) The sensor rod may need cleaning.
	Poor grounding between pilot assembly and gas valve.	- Verify that the wire harness is firmly connected to module. Verify that the ceramic insulator around the sensor rod is not cracked, damaged, or loose. Verify the connection from the sensor rod to the sensor wire.
	Damaged pilot or dirty sensor rod.	- Clean sensor rod with an emery cloth to remove any contamination that may have accumulated on the sensor rod. Verify continuity with multimeter with ohms set at the lowest range.
Pilot lights Stops sparking / pilot remains lit but burner will not turn on.	Wiring / Connection.	- Inspect all wires, ensure good tight connections. Verify that all wiring is installed exactly as specified.
	Wiring harness.	- Inspect the wiring harness, and verify the harness is tightly connected to the module. Verify that all wires are connected in the right order. See "WIRING DIAGRAM" section.
Exhaust fumes smelled in room, headaches.	Appliance is spilling.	- Check all seals. - Check if exhaust is re-entering through an open door or window.

42.7\_2

SYMPTOM	PROBLEM	TEST SOLUTION
White / grey film forms.	Sulphur from fuel is being deposited on glass, logs or combustion chamber surfaces.	<ul style="list-style-type: none"> <li>- Clean the glass, see "CARE OF GLASS" section</li> <li>- <b>DO NOT CLEAN GLASS WHEN HOT.</b></li> <li>- If deposits are not cleaned off regularly, the glass may become permanently marked.</li> </ul>
Flames are very aggressive.	Door is ajar.	- Tighten door clamps if applicable.
	Venting action is too great.	- Restrict vent exit with restrictor plate. See "RESTRICTING VENTS" section if applicable.
Main burner flame is a blue, lazy, transparent flame.	Blockage in vent.	<ul style="list-style-type: none"> <li>- Remove blockage. In really cold conditions, ice buildup may occur on the terminal and should be removed. To minimize this from happening again, it is recommended that the vent lengths that pass through unheated spaces (attics, garages, crawl spaces) be wrapped with an insulated mylar sleeve. Prevent sleeve from sagging. Contact your local authorized dealer for more information.</li> </ul>
	Compromised venting.	- Check venting system parameters (seal, length, rise, etc.).
Main burner goes out: pilot goes out.	Vent recirculation.	- Check joint seals and installation.

42.7\_3B

## 13.0 WARRANTY

NAPOLEON® products are manufactured under the strict Standard of the world recognized ISO 9001 : 2008 Quality Assurance Certificate.

NAPOLEON® products are designed with superior components and materials assembled by trained craftsmen who take great pride in their work. The burner and valve assembly are leak and test-fired at a quality test station. The complete appliance is again thoroughly inspected by a qualified technician before packaging to ensure that you, the customer, receives the quality product that you expect from NAPOLEON®.

### NAPOLEON® GAS APPLIANCE PRESIDENT'S LIFETIME LIMITED WARRANTY

The following materials and workmanship in your new NAPOLEON® gas appliance are warranted against defects for as long as you own the appliance. This covers: combustion chamber, heat exchanger, stainless steel burner, phazer™ logs and embers, rocks, ceramic glass (thermal breakage only), gold plated parts against tarnishing, porcelainized enameled components and aluminum extrusion trims.\*

Electrical (110V and millivolt) components and wearable parts such as blowers, gas valves, thermal switch, switches, wiring, remote controls, ignitor, gasketing, and pilot assembly are covered and NAPOLEON® will provide replacement parts free of charge during the first year of the limited warranty.\*

Labour related to warranty repair is covered free of charge during the first year. Repair work, however, requires the prior approval of an authorized company official. Labour costs to the account of NAPOLEON® are based on a predetermined rate schedule and any repair work must be done through an authorized NAPOLEON® dealer.

\* Construction of models vary. Warranty applies only to components included with your specific appliance.

### CONDITIONS AND LIMITATIONS

NAPOLEON® warrants its products against manufacturing defects to the original purchaser only. Registering your warranty is not necessary. Simply provide your proof of purchase along with the model and serial number to make a warranty claim. NAPOLEON® reserves the right to have its representative inspect any product or part thereof prior to honouring any warranty claim. Provided that the purchase was made through an authorized NAPOLEON® dealer your appliance is subject to the following conditions and limitations:

Warranty coverage begins on the date of original installation.

This factory warranty is non-transferable and may not be extended whatsoever by any of our representatives.

The gas appliance must be installed by a licensed, authorized service technician or contractor. Installation must be done in accordance with the installation instructions included with the product and all local and national building and fire codes.

This limited warranty does not cover damages caused by misuse, lack of maintenance, accident, alterations, abuse or neglect and parts installed from other manufacturers will nullify this warranty.

This limited warranty further does not cover any scratches, dents, corrosion or discoloring caused by excessive heat, abrasive and chemical cleaners nor chipping on porcelain enamel parts, mechanical breakage of PHAZER™ logs and embers.

This warranty extends to the repair or replacement of warranted parts which are defective in material or workmanship provided that the product has been operated in accordance with the operation instructions and under normal conditions.

After the first year, with respect to this President's Lifetime Limited Warranty, NAPOLEON® may, at its discretion, fully discharge all obligations with respect to this warranty by refunding to the original warranted purchaser the wholesale price of any warranted but defective part(s).

NAPOLEON® will not be responsible for installation, labour or any other expenses related to the reinstallation of a warranted part and such expenses are not covered by this warranty.

Notwithstanding any provisions contained in the President's Lifetime Limited Warranty, NAPOLEON'S responsibility under this warranty is defined as above and it shall not in any event extend to any incidental, consequential or indirect damages.

This warranty defines the obligations and liability of NAPOLEON® with respect to the NAPOLEON® gas appliance and any other warranties expressed or implied with respect to this product, its components or accessories are excluded.

NAPOLEON® neither assumes, nor authorizes any third party to assume, on its behalf, any other liabilities with respect to the sale of this product.

NAPOLEON® will not be responsible for: over-firing, downdrafts, spillage caused by environmental conditions such as rooftops, buildings, nearby trees, hills, mountains, inadequate vents or ventilation, excessive venting configurations, insufficient makeup air, or negative air pressures which may or may not be caused by mechanical systems such as exhaust fans, furnaces, clothes dryers, etc.

Any damages to the appliance, combustion chamber, heat exchanger, plated trim or other components due to water, weather damage, long periods of dampness, condensation, damaging chemicals or cleaners will not be the responsibility of NAPOLEON®.

All parts replaced under the President's Limited Lifetime Warranty Policy are subject to a single claim.

During the first 10 years NAPOLEON® will replace or repair the defective parts covered by the lifetime warranty at our discretion free of charge. From 10 years to life, NAPOLEON® will provide replacement parts at 50% of the current retail price.

All parts replaced under the warranty will be covered for a period of 90 days from the date of their installation.

The manufacturer may require that defective parts or products be returned or that digital pictures be provided to support the claim. Returned products are to be shipped prepaid to the manufacturer for investigation. If a product is found to be defective, the manufacturer will repair or replace such defect.

Before shipping your appliance or defective components, your dealer must obtain an authorization number. Any merchandise shipped without authorization will be refused and returned to sender.

Shipping costs are not covered under this warranty.

Additional service fees may apply if you are seeking warranty service from a dealer.

Warranty labour allowance is only for the replacement of the warranted part. Travel, diagnostic tests, shipping and other related charges are not covered by this warranty.

ALL SPECIFICATIONS AND DESIGNS ARE SUBJECT TO CHANGE WITHOUT PRIOR NOTICE DUE TO ON-GOING PRODUCT IMPROVEMENTS. NAPOLEON® IS A REGISTERED TRADEMARK OF WOLF STEEL LTD.

# 14.0 SERVICE HISTORY

<b>Appliance Service History</b>				
<i>This heater must be serviced annually depending on usage.</i>				
Date	Dealer Name	Service Technician Name	Service Performed	Special Concerns







Other products available from your  
Authorized Napoleon® Fireplace Dealer...



Patio Heaters



Fireplace Mantels



HVAC Products



Electric Fireplaces



Outdoor Living Products



Fireplace Accessories

Contact your Authorized Napoleon® dealer or visit [napoleonfireplaces.com](http://napoleonfireplaces.com) for more information.

Pour de plus amples renseignements, contactez votre détaillant Napoléon® autorisé ou visitez le napoléonfoyers.com.

Foyers électriques



Produits de divertissement extérieurs



Accessoires de foyer



Chauffe-patios



Manteaux de foyer



Produits HVAC



Autres produits offerts chez votre détaillant de foyers Napoléon® autorisé...



44.1

15.0 NOTES

**Historique d'entretien Wolf Steel**  
Cet appareil doit être entretenu annuellement selon son usage.

Date	Détailant	Nom du technicien	Travail effectué	Problèmes particuliers

Les produits Napoleon® sont fabriqués conformément aux normes strictes du Certificat d'Assurance de la Qualité mondiallement reconnu ISO 9001 : 2008.

Les produits Napoleon® sont conçus avec des composants et des matériaux de qualité supérieure, assemblés par des artisans qualifiés qui sont fiers de leur travail. Le brûleur et le montage de la soupape subissent un test de détection de fuite et d'allumage à une station de test de qualité. Une fois assemblée, chaque appareil est soigneusement inspecté par un technicien qualifié avant d'être emballé pour garantir que vous, le client, recevez le produit de qualité dont vous attendez de Napoleon®.

### GARANTIE À VIE LIMITEE DU PRESIDENT DES APPAREILS AU GAZ NAPOLÉON®

Les matériaux suivants et la fabrication de votre nouveau appareil au gaz Napoleon® sont garantis contre les défauts de la garantie n'est pas nécessaire. Fournissez simplement un achat ainsi que le modèle et le numéro de série afin d'effectuer une réclamation de garantie. Napoleon® se réserve le droit de demander à son représentant d'inspecter tous produits ou pièces avant d'honorer toute réclamation. L'achat doit avoir été fait par l'entrepreneur d'un détaillant Napoleon® autorisé et sous réserve des conditions et limitations suivantes :

La couverture de la garantie débute à partir de la date d'installation originale.

Cette garantie n'est pas transférable et ne peut être prolongée ou étendue par aucun de nos représentants quelle qu'en soit la raison.

L'appareil au gaz doit être installé par un installateur ou entrepreneur qualifié. L'installation doit être faite conformément aux instructions d'installation incluses avec le produit et à tous les codes d'incendie et de construction locaux et nationaux.

Cette garantie limitée ne couvre pas les dommages causés par un mauvais usage, un manque d'entretien, un accident, des altérations, des abus ou de la négligence et l'installation de pièces d'autres fabricants annule cette garantie.

Cette garantie limitée ne couvre pas plus les égratignures, les bossellements, la corrosion ou la décoloration causés par une chaleur excessive, des produits d'entretien chimiques et abrasifs ou l'écaillage des pièces en porcelaine émaillée, le bris par manipulation des bûches PHAZER® et des braises. Napoleon® garantit à vie ses brûleurs en acier inoxydable contre les défauts de fabrication et de matériau sous réserve des conditions suivantes :

durant les dix premières années, Napoleon® remplacera ou réparera selon notre option les pièces défectueuses gratuitement. Après les dix premières années, Napoleon® fournira les brûleurs de rechange à 50 % du prix de détail courant.

Au cours de la première année seulement, cette garantie s'applique à la réparation ou au remplacement des pièces garanties dont les matériaux ou la fabrication sont défectueux à la condition que le produit ait été utilisé conformément aux instructions de fonctionnement et dans des conditions normales. Après la première année, concernant cette garantie en remboursant à l'acheteur d'origine le prix de gros de toute pièce garantie qui est défectueuse. Napoleon® ne sera pas responsable d'une surchauffe, des retournements, des déversements causés par des conditions environnementales telles que des toits, des bâtiments, la proximité d'arbres, de collines, de montagnes, une ventilation ou des événements inadéquats, une configuration d'évacuation excessive, un apport d'air insuffisant ou des pressions négatives qui peuvent ou non être causés par des systèmes mécaniques tels que les ventilateurs d'évacuation, les fournaises, les sécheuses de linge, etc.

Tout dommage causé à l'appareil, à la chambre de combustion, à l'échangeur de chaleur, aux garnitures plaquées ou autres composants par l'eau, les dommages causés par les intempéries, de longues périodes d'humidité, la condensation, des produits chimiques ou produits d'entretien nuisibles ne sont pas la responsabilité de Napoleon®.

Toutes les pièces remplacées en vertu de la politique de Garantie à vie limitée du Président ne peuvent faire l'objet que d'une seule réclamation. Durant les dix premières années, Napoleon® remplacera ou réparera les pièces défectueuses qui sont couvertes par la garantie à vie limitée à sa discrétion gratuitement. Après les dix premières années, Napoleon® fournira les pièces de rechange à 50 % du prix de détail courant.

Toutes les pièces remplacées au titre de la garantie seront couvertes pour une période de 90 jours à partir de leur date d'installation.

Le fabricant peut exiger que les pièces défectueuses ou les produits soient retournés ou que des photos numériques soient fournies pour valider la réclamation. Les produits retournés doivent être expédiés port payé au fabricant pour une inspection en usine. Si un produit est déclaré défectueux, le fabricant le réparera ou le remplacera.

Avant d'expédier votre appareil ou les pièces défectueuses, votre détaillant doit obtenir un numéro d'autorisation. Toute marchandise expédiée à notre usine sans autorisation sera refusée et retournée à l'expéditeur.

Les coûts d'expédition ne sont pas couverts par cette garantie.

Des frais de service supplémentaires peuvent être appliqués si vous cherchez à obtenir des services au titre de la garantie auprès d'un détaillant. Les indemnités de main-d'œuvre au titre de la garantie s'appliquent uniquement pour le remplacement d'une pièce garantie. Les frais de déplacement, de tests de diagnostic, d'expédition et autres frais afférents ne sont pas couverts par cette garantie.

### CONDITIONS ET LIMITATIONS

NAPOLÉON® garantit ses produits contre les défauts de fabrication à l'acheteur d'origine seulement. L'enregistrement de la garantie n'est pas nécessaire. Fournissez simplement un achat ainsi que le modèle et le numéro de série afin d'effectuer une réclamation de garantie. Napoleon® se réserve le droit de demander à son représentant d'inspecter tous produits ou pièces avant d'honorer toute réclamation. L'achat doit avoir été fait par l'entrepreneur d'un détaillant Napoleon® autorisé et sous réserve des conditions et limitations suivantes :

La couverture de la garantie débute à partir de la date d'installation originale.

Cette garantie n'est pas transférable et ne peut être prolongée ou étendue par aucun de nos représentants quelle qu'en soit la raison.

L'appareil au gaz doit être installé par un installateur ou entrepreneur qualifié. L'installation doit être faite conformément aux instructions d'installation incluses avec le produit et à tous les codes d'incendie et de construction locaux et nationaux.

Cette garantie limitée ne couvre pas les dommages causés par un mauvais usage, un manque d'entretien, un accident, des altérations, des abus ou de la négligence et l'installation de pièces d'autres fabricants annule cette garantie.

Cette garantie limitée ne couvre pas plus les égratignures, les bossellements, la corrosion ou la décoloration causés par une chaleur excessive, des produits d'entretien chimiques et abrasifs ou l'écaillage des pièces en porcelaine émaillée, le bris par manipulation des bûches PHAZER® et des braises. Napoleon® garantit à vie ses brûleurs en acier inoxydable contre les défauts de fabrication et de matériau sous réserve des conditions suivantes :

durant les dix premières années, Napoleon® remplacera ou réparera selon notre option les pièces défectueuses gratuitement. Après les dix premières années, Napoleon® fournira les brûleurs de rechange à 50 % du prix de détail courant.

Au cours de la première année seulement, cette garantie s'applique à la réparation ou au remplacement des pièces garanties dont les matériaux ou la fabrication sont défectueux à la condition que le produit ait été utilisé conformément aux instructions de fonctionnement et dans des conditions normales. Après la première année, concernant cette garantie en remboursant à l'acheteur d'origine le prix de gros de toute pièce garantie qui est défectueuse. Napoleon® ne sera pas responsable d'une surchauffe, des retournements, des déversements causés par des conditions environnementales telles que des toits, des bâtiments, la proximité d'arbres, de collines, de montagnes, une ventilation ou des événements inadéquats, une configuration d'évacuation excessive, un apport d'air insuffisant ou des pressions négatives qui peuvent ou non être causés par des systèmes mécaniques tels que les ventilateurs d'évacuation, les fournaises, les sécheuses de linge, etc.

Tout dommage causé à l'appareil, à la chambre de combustion, à l'échangeur de chaleur, aux garnitures plaquées ou autres composants par l'eau, les dommages causés par les intempéries, de longues périodes d'humidité, la condensation, des produits chimiques ou produits d'entretien nuisibles ne sont pas la responsabilité de Napoleon®.

Toutes les pièces remplacées en vertu de la politique de Garantie à vie limitée du Président ne peuvent faire l'objet que d'une seule réclamation. Durant les dix premières années, Napoleon® remplacera ou réparera les pièces défectueuses qui sont couvertes par la garantie à vie limitée à sa discrétion gratuitement. Après les dix premières années, Napoleon® fournira les pièces de rechange à 50 % du prix de détail courant.

Toutes les pièces remplacées au titre de la garantie seront couvertes pour une période de 90 jours à partir de leur date d'installation.

Le fabricant peut exiger que les pièces défectueuses ou les produits soient retournés ou que des photos numériques soient fournies pour valider la réclamation. Les produits retournés doivent être expédiés port payé au fabricant pour une inspection en usine. Si un produit est déclaré défectueux, le fabricant le réparera ou le remplacera.

Avant d'expédier votre appareil ou les pièces défectueuses, votre détaillant doit obtenir un numéro d'autorisation. Toute marchandise expédiée à notre usine sans autorisation sera refusée et retournée à l'expéditeur.

Les coûts d'expédition ne sont pas couverts par cette garantie.

Des frais de service supplémentaires peuvent être appliqués si vous cherchez à obtenir des services au titre de la garantie auprès d'un détaillant. Les indemnités de main-d'œuvre au titre de la garantie s'appliquent uniquement pour le remplacement d'une pièce garantie. Les frais de déplacement, de tests de diagnostic, d'expédition et autres frais afférents ne sont pas couverts par cette garantie.

TOUTES LES SPÉCIFICATIONS ET LES CONCEPTIONS SONT SUJETTES À MODIFICATIONS SANS PRÉAVIS EN RAISON DES AMÉLIORATIONS CONSTANTES APPORTÉES AUX PRODUITS. NAPOLÉON® EST UNE MARQUE DE COMMERCE DÉPOSÉE DE

WOLF STEEL LTÉE.

SYMPTÔME	PROBLÈME	SOLUTIONS
Une pellicule blanche ou grise se forme.	Le soufre du combustible se dépose sur la vitre, les bûches ou les parois de la chambre de combustion.	Nettoyez la vitre avec un nettoyeur recommandé. <b>PAS NETTOYER LORSQU'ELLE EST CHAUDE.</b> Si vous ne nettoyez pas les dépôts régulièrement, la vitre risque de rester marquée en permanence.
Les flammes sont très actives.	La porte est entrouverte.	Serrez les loquets de porte s'il y a lieu.
	Forte action de ventilation.	Étranglez la sortie de l'évacuation avec la plaque de restriction. Voir la section « <b>ÉTRANGLEMENT DES ÉVÉNEMENTS VERTICAUX</b> » s'il y a lieu.
La flamme du brûleur principal est bleue, paresseuse et transparente.	Système d'évacuation bloqué.	Enlevez ce qui obstrue. Dans des conditions de froid extrême, une accumulation de glace peut se former sur la terminaison et devrait être enlevée lorsque nécessaire. Pour minimiser les chances que les événements qui passent à travers des espaces non chauffés (greniers, garages, espaces réduits) soient recouverts d'un manchon isolant en mylar. Assurez-vous que le manchon ne puisse pas s'affaisser. Pour plus de renseignements, contactez votre détaillant local autorisé.
	Installation incorrecte.	Vérifiez les paramètres du système d'évacuation (étanchéité, longueur, élévation, etc.).
Le brûleur principal s'éteint; la veilleuse s'éteint.	L'évacuation recule.	Vérifiez l'étanchéité des joints et leur installation.

42.7\_3B



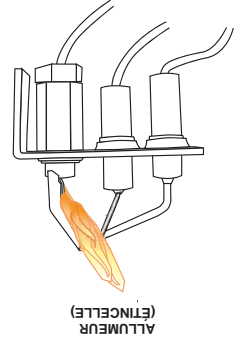
SYMPTÔME	PROBLÈME	SOLUTIONS
Du carbone se dépose sur la vitre, les bûches, les roches, les décoratifs ou les parois de la chambre de combustion.	Les flammes effleurent la vitre, les bûches, les roches, les décoratifs ou la chambre de combustion.	<ul style="list-style-type: none"> <li>- Vérifiez si la vitre, les bûches, les roches ou les composants décoratifs sont positionnés correctement.</li> <li>- Augmentez l'ouverture du volet d'air pour augmenter le volume d'air primaire.</li> <li>- Vérifiez le débit d'alimentation : vérifiez que la pression du collecteur et la grandeur de l'injecteur sont telles que spécifiées sur la plaque d'homologation.</li> <li>- Vérifiez si les joints de la porte ne sont pas brisés ou manquants et qu'ils sont étanches.</li> <li>- Vérifiez que les deux conduits d'évent ne sont pas troués et qu'ils sont bien scellés à tous les joints.</li> <li>- Vérifiez si l'élévation minimale par pied est conforme pour toute évacuation horizontale.</li> </ul>
Continue de produire des étincelles et la veilleuse s'allume, mais le brûleur principal ne s'allume pas.	Mauvais redressement du courant de la flamme ou tige de sonde contaminée.	<ul style="list-style-type: none"> <li>- Vérifiez si la flamme enveloppe la tige de la sonde. Ceci augmentera le redressement du courant de la flamme. Vérifiez si le bon injecteur de veilleuse est installé et que l'alimentation en gaz est conforme aux spécifications du manuel. (Souvenez-vous que la flamme transportée par le courant redresseur et non le gaz. Si la flamme se détache de la hotte, le circuit est rompu. Un mauvais injecteur ou une pression d'arrivée trop élevée peut causer la flamme de la veilleuse à se détacher.) La tige de la sonde a possiblement besoin d'être nettoyée.</li> </ul>
	Mauvaise mise à la terre entre l'assemblage de la veilleuse et la soupape de gaz.	<ul style="list-style-type: none"> <li>- Vérifiez si le harnais de fils est solidement branché au module. Vérifiez si l'isolateur de céramique autour de la sonde est craqué, endommagé ou desserré. Vérifiez la connexion de la tige de la sonde au fil de la sonde.</li> </ul>
	Veilleuse endommagée ou tige de sonde sale.	<ul style="list-style-type: none"> <li>- Nettoyez la tige de la sonde avec une toile d'émeri afin d'enlever toute contamination qui ait pu s'accumuler sur la tige de la sonde. Vérifiez la continuité avec un multimètre réglé sur Ohms au calibre le plus bas.</li> </ul>
La veilleuse s'allume. Arrête de produire des étincelles/la veilleuse reste allumée, mais le brûleur ne s'allume pas.	Filage/connexion.	<ul style="list-style-type: none"> <li>- Inspectez tous les fils, assurez-vous que les connexions sont bien serrées. Vérifiez si tout le filage est installé exactement tel que spécifié.</li> </ul>
	Harnais de fils.	<ul style="list-style-type: none"> <li>- Inspectez le harnais de fils et vérifiez qu'il soit solidement branché au module. Vérifiez que tous les fils sont branchés dans le bon ordre. Voir la section « SCHÉMA DE CÂBLAGE ».</li> </ul>
On détecte l'odeur des gaz de combustion dans la pièce; maux de tête.	L'appareil refoule les gaz de combustion dans la pièce.	<ul style="list-style-type: none"> <li>- Vérifiez tous les joints scellés.</li> <li>- Vérifiez si l'odeur de gaz n'entre pas par une porte ou une fenêtre ouverte.</li> </ul>

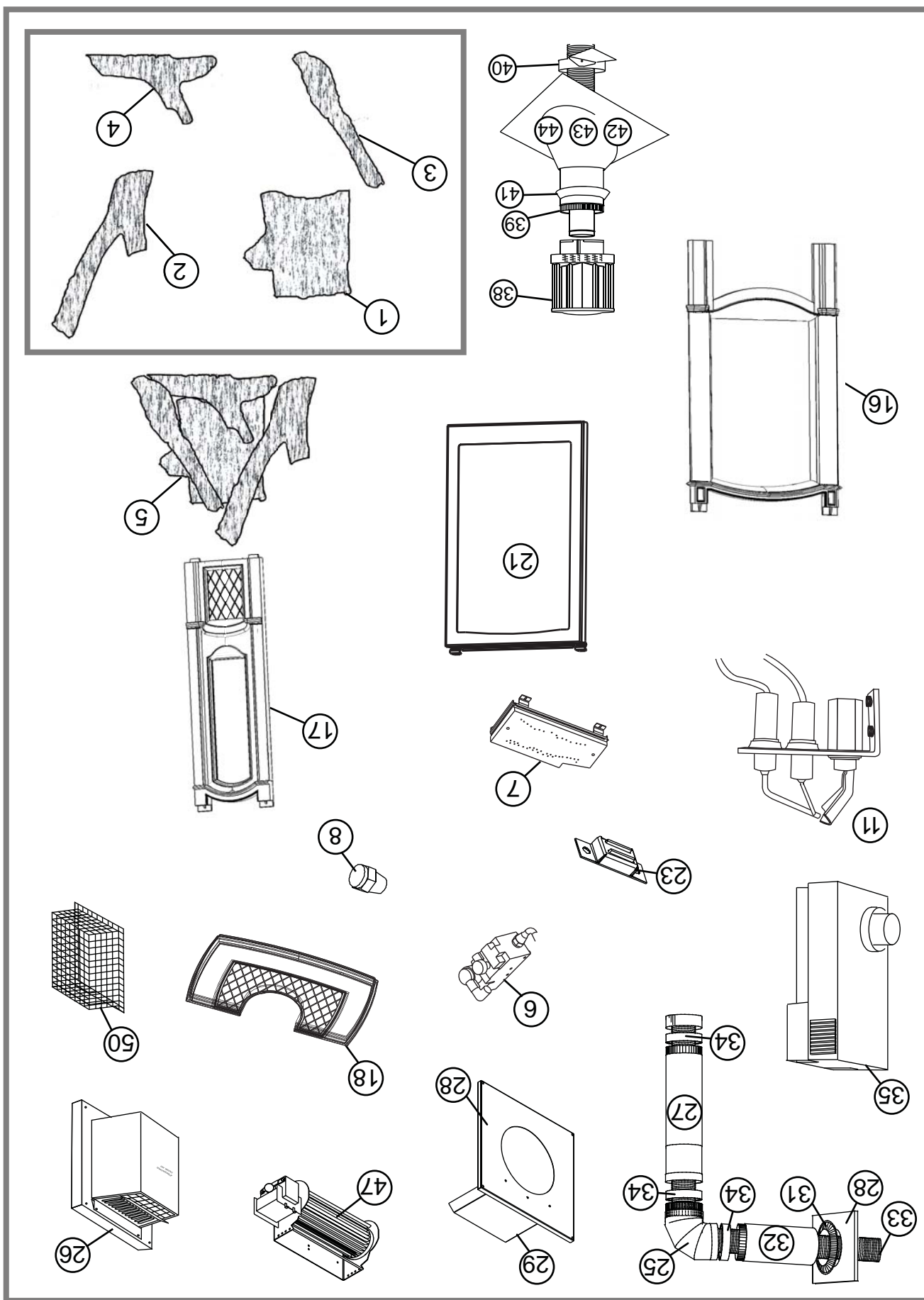


<b>⚠ AVERTISSEMENT</b>
ALLUMER TOUJOURS LA VEILLEUSE, QUE CE SOIT POUR LA PREMIÈRE FOIS OU LORSQUE L'APPROVISIONNEMENT EN GAZ EST ÉPUISÉ, AVEC LA PORTE VITRÉE OUVERTE OU RETIRÉE.
COUPEZ L'ALIMENTATION EN GAZ ET L'ALIMENTATION ÉLECTRIQUE AVANT DE PROCÉDER À L'ENTRETIEN DE L'APPAREIL.
L'APPAREIL PEUT ÊTRE CHAUD. N'EFFECTUEZ AUCUN ENTRETIEN JUSQU'À CE QUE L'APPAREIL SOIT REFFROIDI.
N'UTILISEZ PAS DE NETTOYANTS ABRASIFS.

SYMPTÔME	PROBLÈME	SOLUTIONS
----------	----------	-----------

La veilleuse ne s'allume pas.	Filage.	Vérifiez si le fil « S » pour la sonde et le fil « I » pour l'allumeur sont raccordés aux bonnes bornes (non inversés) sur le module d'allumage et l'assemblage de la veilleuse.
Il y a du bruit, mais aucune étincelle au brûleur de la veilleuse.	Connexion desserrée.	Vérifiez qu'il n'y ait pas de connexions desserrées, de courts-circuits dans le filage ou des contacts avec des objets métalliques.
Module d'allumage.	-	Mettez l'interrupteur MARCHÉ/ARRÊT à « OFF ». Retirez le fil d'allumage « I » du module. Mettez l'interrupteur MARCHÉ/ARRÊT à « ON ». Tenez un fil mis à la terre à environ 3/16" de la borne « I » sur le module. S'il n'y a pas d'étincelle, la borne « I » du module doit être remplacée. S'il y a une étincelle, la borne « I » fonctionne bien. Inspectez l'assemblage de la veilleuse pour un fil causant un court-circuit ou un isolateur craqué autour de l'électrode.
La longueur de l'étincelle est incorrecte.	-	La longueur de l'étincelle de l'allumeur à la veilleuse devrait être de 0,17" ou 1/8".
Transformateur.	-	Vérifiez si le transformateur est installé et branché dans le module. Vérifiez le voltage du transformateur sous tension aux connexions sur le module avec l'interrupteur MARCHÉ/ARRÊT à « ON ». Les lectures acceptables d'un bon transformateur se situent entre 3,2 et 2,8 volts C.A.
Système de dépannage à piles (s'il y a panne de courant)	-	Vérifiez les piles
Une connexion desserrée ou causant un court-circuit.	-	Retirez et réinstallez le harnais de fils qui se branche dans le module. Retirez et vérifiez la continuité de chaque fil dans le harnais de fils.
Filage d'interrupteur inapproprié.	-	Réparez le système avec un simple interrupteur MARCHÉ/ARRÊT.
Le module n'est pas mis à la terre.	-	Vérifiez si les assemblages de la veilleuse et de la soupape sont bien mis à la terre au niveau du châssis métallique de l'appareil ou de l'ensemble de bûches.
Alimentation en gaz.	-	Vérifiez si la soupape à bille de la conduite d'arrivée du gaz est « Ouverte ». Vérifiez si la pression d'arrivée est dans les limites acceptables. La pression d'arrivée ne doit pas excéder 14" de colonne d'eau.
Étincelle à la veilleuse, mais celle-ci ne s'allume pas.	Plus de propane.	Remplissez le réservoir.





ACCESSOIRES		
N° RÉF.	N° DE PIÈCE	DESCRIPTION
45*	W690-0001	THERMOSTAT MILLIVOLT
46*	W660-0011B	TÉLÉCOMMANDE - AVANTAGE PLUS
47	GS67	SOUFFLERIE
48*	W175-0268	ENSEMBLE DE CONVERSION - GN À PL
49*	W175-0269	ENSEMBLE DE CONVERSION - PL À GN
50	GD-301	PROTECTEUR DE CHALEUR GRILLAGE POUR TERMINAISON MURALE
51*	W175-0001	BAGUE D'ACCOUPLLEMENT DE 4"
51*	GS332S	PLAQUE DÉCORATIVE POUR DESSUS DE POÊLE - SOAPSTONE
51*	GS332F	PLAQUE DÉCORATIVE POUR DESSUS DE POÊLE - GRANITE - VERT
51*	GS332N	PLAQUE DÉCORATIVE POUR DESSUS DE POÊLE - GRANITE - BRUN
51*	GS26S	PLAQUE DÉCORATIVE POUR CÔTÉS DE POÊLE - SOAPSTONE
51*	GS26F	PLAQUE DÉCORATIVE POUR CÔTÉS DE POÊLE - GRANITE - VERT
51*	GS26N	PLAQUE DÉCORATIVE POUR CÔTÉS DE POÊLE - GRANITE - BRUN
52*	PRP19	PANNEAUX RÉFLECTEURS RADIANTS EN PORCELAINÉ
53*	GD839KT	PANNEAUX DÉCORATIFS BRIQUE/PIERRE
54*	RP4	PLAQUE DE RESTRICTION

<b>ENSEMBLES DE TERMINAISON</b>		
<b>N° RÉF.</b>	<b>N° DE PIÈCE</b>	<b>DESCRIPTION</b>
25	BM6790	COUDE DE 90° - 7" DE DIAMÈTRE
26	GD-222	TERMINAISON
27	BM67ADJ	TUYAU AJUSTABLE DE 30" À 53" - 7" DIA.
28	W010-1313	ESPACEUR COUPE-FEU
29	W585-0267	ÉCRAN PROTECTEUR
30*	W020-0032	QUINCAILLERIE
31	BR3730	COLLET DE FINITION NOIR
32	BM6724	TUYAU DE POËLE DE 24" - 7" DE DIAMÈTRE
33	W401-0001	GAINÉ FLEXIBLE DE 10' AVEC ESPACEURS - 4" DIA.
34	W025-0003	BANDE DÉCORATIVE NOIR MÉTALLIQUE
<b>GD-180 - ENSEMBLE PÉRISCOPE</b>		
25	BM6790	COUDE DE 90° - 7" DE DIAMÈTRE
26	GD-222	TERMINAISON
27	BM67ADJ	TUYAU AJUSTABLE DE 30" À 53" - 7" DIA.
28	W010-1313	ESPACEUR COUPE-FEU
29	W585-0267	ÉCRAN PROTECTEUR
30*	W020-0032	QUINCAILLERIE
31	BR3730	COLLET DE FINITION NOIR
32	BM6724	TUYAU DE POËLE DE 24" - 7" DE DIAMÈTRE
33	W401-0001	GAINÉ FLEXIBLE DE 10' AVEC ESPACEURS - 4" DIA.
34	W025-0003	BANDE DÉCORATIVE NOIR MÉTALLIQUE
<b>GD-175 - ENSEMBLE DE TERMINAISON MURALE</b>		
25	BM6790	COUDE DE 90° - 7" DE DIAMÈTRE
26	GD-222	TERMINAISON
27	BM67ADJ	TUYAU AJUSTABLE DE 30" À 53" - 7" DIA.
28	W010-1313	ESPACEUR COUPE-FEU
29	W585-0267	ÉCRAN PROTECTEUR
30*	W020-0032	QUINCAILLERIE
31	BR3730	COLLET DE FINITION NOIR
32	BM6724	TUYAU DE POËLE DE 24" - 7" DE DIAMÈTRE
33	W401-0001	GAINÉ FLEXIBLE DE 10' AVEC ESPACEURS - 4" DIA.
34	W025-0003	BANDE DÉCORATIVE NOIR MÉTALLIQUE
<b>GD-177 - ENSEMBLE DE TERMINAISON MURALE</b>		
26	GD-222	TERMINAISON
31	BR3730	COLLET DE FINITION NOIR
32	BM6724	TUYAU DE POËLE DE 24" - 7" DE DIAMÈTRE
36*	W010-0300	GAINÉ FLEXIBLE DE 10' AVEC ESPACEURS - 4" DIA.
34	W025-0003	BANDE DÉCORATIVE NOIR MÉTALLIQUE
<b>ENSEMBLES DE TERMINAISON POUR TOIT</b>		
<b>N° RÉF.</b>	<b>N° DE PIÈCE</b>	<b>DESCRIPTION</b>
<b>GD-110 - PENTE 1/12 À 7/12</b>		
38	W670-0006	TERMINAISON
39	W490-0073	MANCHON INTÉRIEUR/EXTÉRIEUR 4/7
40	W010-0567	SUPPORT DE TOIT
41	W170-0063	COLLET DE SOLIN
42	W263-0054	SOLIN DE TOIT
<b>GD-111 - PENTE 8/12 À 12/12</b>		
38	W670-0006	TERMINAISON
39	W490-0073	MANCHON INTÉRIEUR/EXTÉRIEUR 4/7
40	W010-0567	SUPPORT DE TOIT
41	W170-0063	COLLET DE SOLIN
43	W263-0055	SOLIN DE TOIT
<b>GD-112 - TOIT PLAT</b>		
38	W670-0006	TERMINAISON
39	W490-0073	MANCHON INTÉRIEUR/EXTÉRIEUR 4/7
40	W010-0567	SUPPORT DE TOIT
41	W170-0063	COLLET DE SOLIN
44	W263-0056	SOLIN DE TOIT

Contactez votre détaillant ou le fabricant pour les questions concernant les prix et la disponibilité des pièces de rechange. Normalement, toutes les pièces peuvent être commandées chez votre détaillant autorisé. **POUR UN REMPLACEMENT DE PIÈCE SOUS GARANTIE, UNE PHOTOCOPIE DE LA FACTURE ORIGINALE SERA REQUISE AFIN DE POUVOIR HONORER LA DEMANDE.**

Lorsque vous commandez des pièces, donnez toujours l'information suivante :

- Modèle et numéro de série de l'appareil
- Date d'installation de l'appareil
- Numéro de la pièce
- Description de la pièce
- \* Identifie les articles qui ne sont pas

illustrés. Pour plus d'information, contactez votre détaillant autorisé.

## AVERTISSEMENT

OMETTRE DE POSITIONNER LES PIÈCES CONFORMÉMENT AU MANUEL OU D'UTILISER UNIQUEMENT DES PIÈCES SPÉCIFIQUEMENT APPROUVÉES POUR CET APPAREIL PEUT CAUSER DES DOMMAGES MATÉRIELS OU DES BLESSURES CORPORELLES.

## COMPOSANTS COMMUNS

N° RÉF.	N° DE PIÈCE	DESCRIPTION
1	W135-0322	BÛCHE #1-ARRIÈRE
2	W135-0324	BÛCHE #2 - DROITE
3	W135-0323	BÛCHE #3 - GAUCHE
4	W135-0325	BÛCHE #4 - CENTRALE
5	GL-662	ENSEMBLE DE BÛCHES
6	W725-0032	SOUAPE DEXEN - GN
6	W725-0049	SOUAPE DEXEN - PL
7	W010-1750	BRÛLEUR
8	W456-0042	INJECTEUR DE BRÛLEUR - GN #42
8	W456-0054	INJECTEUR DE BRÛLEUR - PL #54
9*	W455-0049	INJECTEUR DE VEILLEUSE - PL
9*	W455-0071	INJECTEUR DE VEILLEUSE - GN
10*	W720-0092	TUBE DE VEILLEUSE
11	W100-0069	ASSEMBLAGE DE VEILLEUSE - GN
11	W100-0093	ASSEMBLAGE DE VEILLEUSE - PL
12*	W385-0334	LOGO NAPOLÉON®
13*	W660-0009	INTERRUPTEUR MARCHÉ/ARRÊT
14*	W387-0009	AMPOULE HALOGENE 5 W
15*	W387-0010	SYSTÈME D'ÉCLAIRAGE, 5 W, 12 V
16	W135-0292**	FAÇADE EN FONTE
17	W135-0291**	CÔTÉ EN FONTE (GAUCHE OU DROIT)
18	W135-0293**	DESSUS EN FONTE
19*	W135-0294**	PORTE DE CONTRÔLE EN FONTE
20*	W135-0295**	BASE EN FONTE
21	W010-2166	PORTE AVEC VITRE ET JOINT D'ÉTANCHÉITÉ
22*	W010-2180	VITRE ET JOINT D'ÉTANCHÉITÉ
23	W430-0013	LOQUET AIMANTÉ DE LA PORTE DE CONTRÔLE
24*	W361-0014	VERMICULITE

\*\*POUR LES AUTRES COULEURS OFFERTES, AJOUTEZ CES LETTRES AUX NUMÉROS DE PIÈCES :

COULEUR	LETTRE	FINI
VERT MOUSSE	M	PORCELAINE
BRUN MAJOLIQUE	N	PORCELAINE
BLANC GIVRÉ	W	PORCELAINE
FER FORGÉ	WI	PEINT

5.1

**AVERTISSEMENT**

LA VITRE CHAUDE CAUSERA DES BRÛLURES.  
NE PAS TOUCHER LA VITRE AVANT QU'ELLE AIT REFRROIDI.  
NE JAMAIS LAISSER LES ENFANTS TOUCHER LA VITRE.



Polissez légèrement à l'aide d'un linge propre et sec. Nettoyez les deux côtés de la vitre avec un nettoyeur recommandé après les dix premières heures de fonctionnement. Par la suite, nettoyez aussi souvent qu'il le faudra, sinon la vitre risque de rester marquée en permanence.

**NE PAS NETTOYER LA VITRE LORSQU'ELLE EST CHAUDE! N'EMPLOYEZ PAS DE DÉTERGENTS ABRASIFS POUR NETTOYER LA VITRE.**

## 10.2 SOINS DE LA VITRE



- A. Enlevez la porte et l'écran supérieur de l'appareil.
- B. Comprimez les ailettes de retenue à l'aide d'un tournevis tout en appuyant fermement sur le dessus de l'assemblage de lumière.
- C. Dès que toutes les ailettes de retenue seront renfoncées, l'assemblage de lentille sortira de son emplacement.

### 10.1.3 REMPLACEMENT DE L'ASSEMBLAGE DE LENTILLE



- A. Enlevez la porte de l'appareil.
- B. Passez les fils dans le trou de la lentille.
- C. Alignez la fente avec l'assemblage de lentille.
- D. Enclenchez en place.
- E. Remplacez les écrans de lumière, attachez les fils, puis réinstallez la porte de l'appareil.

### 10.1.2 INSTALLATION DE L'ASSEMBLAGE DE LENTILLE

**AVERTISSEMENT**

**COUPEZ L'ALIMENTATION EN GAZ ET L'ALIMENTATION ÉLECTRIQUE AVANT DE PROCÉDER À L'ENTRETIEN DE L'APPAREIL.**

**L'APPAREIL PEUT ÊTRE CHAUD. ATTENDEZ QU'IL SOIT REFROIDI AVANT D'EN FAIRE L'ENTRETIEN.**

**N'UTILISEZ PAS DE PRODUITS ABRASIFS.**

**ATTENTION :** Lors de l'entretien des contrôles, assurez-vous d'identifier chacun des fils avant de les débrancher. Une réinstallation incorrecte des fils peut occasionner un mauvais fonctionnement et être dangereuse. Assurez-vous que l'appareil fonctionne adéquatement une fois l'entretien terminé. Cet appareil et son système d'évacuation devraient être inspectés avant la première utilisation et au moins une fois l'an par un technicien de service qualifié. L'espace entourant l'appareil doit être gardé propre et libre de matériaux combustibles, d'essence ou autres liquides et vapeurs inflammables. Les apports d'air comburant et d'air de convection ne doivent pas être obstrués.

**A.** Pour nettoyer le brûleur principal et la veilleuse adéquatement, il faut retirer les bûches, les roches ou la vitre afin de dégager les deux ensembles.

**B.** Gardez le compartiment des contrôles, les composants décoratifs, le brûleur, le volet d'air et l'espace entourant les bûches propres en brossant ou en passant l'aspirateur au moins une fois l'an.

**C.** Assurez-vous que tous les orifices des brûleurs produisent des flammes. Nettoyez tous les orifices qui n'ont pas de flamme ou dont la flamme ne brûle pas adéquatement.

**D.** Assurez-vous que la flamme de la veilleuse est assez puissante pour envelopper la sonde de flamme et/ou le thermocouple/thermopile et qu'elle atteigne le brûleur.

**E.** Remettez en place les bûches, les roches ou la vitre nettoyées. Omettre de positionner les composants décoratifs adéquatement peut causer des dépôts de carbone qui peuvent se déposer dans des endroits de séjour avoisinants.

**F.** Vérifiez si le brûleur principal allume sur tous les orifices lorsque le bouton de contrôle du gaz est à « ON ». Un temps d'allumage total de 5 à 10 secondes est satisfaisant. Si l'allumage prend plus de temps, consultez votre détaillant autorisé.

**G.** Vérifiez si les joints d'étanchéité sur les côtés, le haut et le bas de la porte ne sont pas brisés ou manquants. Remplacez si nécessaire.

**H.** Si pour une raison quelconque le système d'évents de prise d'air est démonté, réinstallez et rescellez-le selon les instructions fournies dans l'installation initiale.

40.1

10.1 REMPLACEMENT DE LA LUMIÈRE DE VEILLE

10.1.1 REMPLACEMENT DE L'AMPOULE

Le GDS26 est équipé d'une lumière de veille. Si vous devez remplacer l'ampoule ou la lentille, suivez les instructions suivantes.

- A.** Coupez l'alimentation électrique.
- B.** Enlevez la façade et la porte de l'appareil.
- C.** Dévissez le couvercle de la lentille en vous assurant que la rondelle demeure en place.

**NOTE :** Lorsque vous manipulez l'ampoule, ne la laissez pas entrer en contact direct avec vos doigts, protégez-la avec un linge propre et sec.

- D.** L'ampoule s'enlève en la tirant hors de la douille. Remplacez par des pièces Wolf Steel Itée uniquement (W387-0006), car l'ampoule et la lentille sont des produits spécialement conçus pour les hautes températures.
- E.** Remplacez la lentille ainsi que le joint d'étanchéité, couvercles de lentille, puis attachez les fils aux raccords rapides. Réinstallez la porte.

**NOTE :** La chambre de combustion doit être scellée.

Lors du réassemblage de la lumière, faites attention. Il est possible que des « fuites de lumière » soient visibles au dessus des portes en fonte. Les trous dans le boîtier de la lumière sont nécessaires à la ventilation et ne doivent pas être couverts.

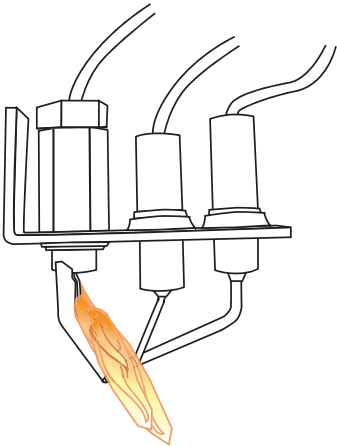


9.3 CARACTÉRISTIQUES DE LA FLAMME

Il est important d'effectuer périodiquement une inspection visuelle de la flamme de la veilleuse et du brûleur. Comparez-les à ces illustrations. Si des flammes paraissent anormales, contactez un technicien de service.



54.3

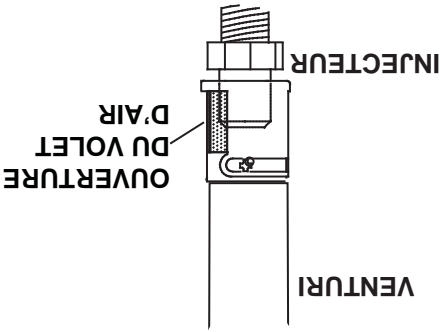


9.4 RÉGLAGE DU VENTURI

L'ouverture du volet d'air a été pré réglée en usine selon le tableau ci-dessous :

Indépendamment de l'orientation du venturi, plus le volet est fermé, plus la flamme est jaune et aura tendance à causer des dépôts de carbone. Plus le volet est ouvert, plus la flamme est bleue et plus elle a tendance à se détacher des orifices du brûleur. La flamme peut ne pas être jaune immédiatement; allouez de 15 à 30 minutes pour que la couleur finale de la flamme se stabilise.

LE RÉGLAGE DU VOLET D'AIR DOIT ÊTRE EXÉCUTÉ PAR UN TECHNICIEN OU INSTALLATEUR QUALIFIÉ!



49.1

GDS26	
GN	3/16"
PL	3/8"

9.5 ÉTRANGLEMENT DES ÉVENTS VERTICAUX

Certaines configurations d'évacuation verticales peuvent avoir une flamme très active. Si cette apparence n'est pas désirée, la sortie du conduit d'évacuation doit être réduite en utilisant une plaque de restriction. Pour obtenir l'ensemble approprié, voir les « ACCESSOIRES » à la section « RECHANGES ». Ceci diminuera la vitesse des gaz de combustion, ralentissant ainsi le mouvement de la flamme et créant une apparence plus traditionnelle. Les instructions sont incluses avec l'ensemble.

77.3



**CETTE INSTALLATION DOIT ÊTRE FAITE PAR UN INSTALLATEUR QUALIFIÉ ET DOIT ÊTRE CONFORME AUX CODES LOCAUX. EN L'ABSENCE DE CODES LOCAUX, L'INSTALLATION DOIT ÊTRE CONFORME AU CODE D'INSTALLATION DU GAZ CAN1-B149 DANS SA VERSION POUR LE CANADA OU LE NATIONAL FUEL GAS CODE, ANSI Z223.1 POUR LES ÉTATS-UNIS.**

## ⚠ AVERTISSEMENT

A. Coupez l'alimentation électrique et en gaz à l'appareil.

B. Retirez la façade en fonte, la porte vitrée et les bûches.

C. Retirez les deux vis de fixation, glissez le brûleur vers la droite, soulevez puis retirez.

D. Retirez l'injecteur de brûleur principal en utilisant une clé à douille longue. Utilisez une clé en même temps sur le collecteur situé sous le boîtier pour vous assurer que

le tube d'aluminium ne torde ou ne plie. Remplacez l'injecteur de brûleur

en utilisant un composé à joint.

E. Desserrez l'écrou puis remplacez par l'injecteur de veilleuse approprié.

F. Réinstallez le brûleur en vous assurant que le venturi est bien placé par-

dessus l'injecteur de brûleur.

**NOTE : Si nécessaire, vérifiez et ajustez le volet d'air à 3/8" pour le propane et 3/16" pour le gaz naturel. Réinstallez les vis.**

G. Ouvrez l'alimentation en gaz et vérifiez pour des fuites de gaz en

appliquant une solution d'eau savonneuse.

### N'UTILISEZ PAS UNE FLAMME NUE.

H. Remettez en place les bûches. Ensuite, allumez la veilleuse et le brûleur principal afin

de vous assurer que les conduites de gaz ont bien été purgées.

I. Réinstallez la porte vitrée et la façade en fonte. Rétablissez l'alimentation électrique à

l'appareil.

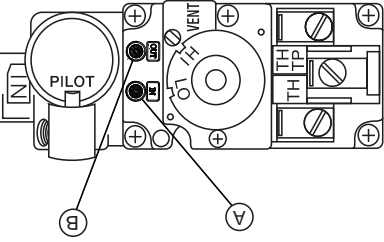
Purgez toutes les conduites de gaz avec la porte vitrée retirée. Assurez-vous que l'arrivée de gaz au brûleur est continue avant de réinstaller la porte.

## 9.2 VÉRIFICATION DE LA PRESSION

### Lecture des pressions :

Pour vérifier la pression d'arrivée, tournez deux ou trois fois la vis (A) vers la gauche, puis embotez le tube du manomètre sur la pointe d'essai. Le manomètre doit indiquer 7" (minimum 4,5") de colonne d'eau pour le gaz naturel ou 13" (minimum 11") de colonne d'eau pour le propane. Assurez-vous que le brûleur principal fonctionne à « HI ».

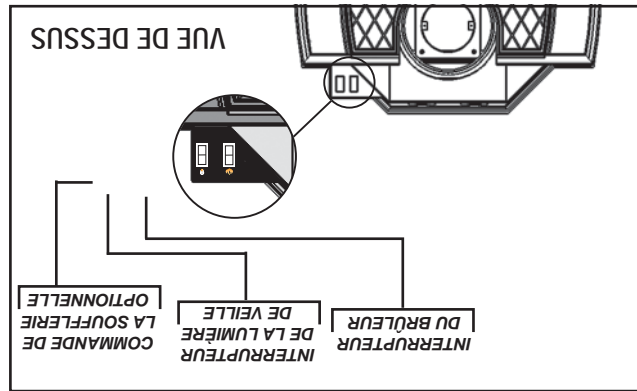
La pression de sortie peut être vérifiée de la même façon en utilisant la vis (B). Le manomètre doit indiquer 3,5" de colonne d'eau pour le gaz naturel ou 10" de colonne d'eau pour le propane. Assurez-vous que le brûleur principal fonctionne à « HI ».



**APRÈS AVOIR PRIS LA LECTURE DES PRESSIONS, ASSUREZ-VOUS DE TOURNER FERMEMENT LA VIS VERS LA DROITE POUR SCELLER. NE SERREZ PAS TROP FORT.**

Vérifiez pour des fuites en appliquant une solution d'eau savonneuse.

8.1 FONCTIONS DES INTERRUPTEURS



**INTERRUPTEUR DU BRÛLEUR**  
Cet interrupteur allume et éteint le brûleur.

**INTERRUPTEUR DE LA LUMIÈRE DE VEILLE**  
Cet interrupteur allume et éteint la lumière de veille.

**COMMANDE DE SOUFFLERIE OPTIONNELLE**

Lorsqu'il est installé, cet interrupteur place la soufflerie sous tension et sert à régler la vitesse de la soufflerie. Il y a aussi un interrupteur thermique qui mettra en marche la soufflerie une fois que l'appareil a atteint une température confortable.

## ⚠ AVERTISSEMENT

**SI CES INSTRUCTIONS NE SONT PAS SUIVIES À LA LETTRE, UN INCENDIE OU UNE EXPLOSION POURRAIENT S'ENSUIVRE, CAUSANT DES DOMMAGES MATÉRIELS, DES BLESSURES CORPORELLES OU DES PERTES DE VIE.**

**ALLUMEZ TOUJOURS LA VEILLEUSE, QUE CE SOIT POUR LA PREMIÈRE FOIS OU LORSQUE L'APPROVISIONNEMENT EN GAZ EST ÉPUISÉ, AVEC LA PORTE VITRÉE OUVERTE OU RETIRÉE.**

Assurez-vous que l'arrivée de gaz au brûleur est continue avant d'installer la porte. Lorsqu'il est allumé pour la première fois, l'appareil dégagera une légère odeur pendant quelques heures. Cela est une condition normale temporaire causée par le conditionnement des bûches et l'évaporation des peintures et lubrifiants internes utilisés dans le processus de fabrication; elle ne se reproduira plus. Après de longues périodes sans utiliser l'appareil, comme à la suite de vacances ou à la fin de l'été, il se peut qu'une légère odeur se dégage pendant quelques heures. Ceci est causé par des particules de poussière brûlante dans l'échangeur de chaleur. Dans les deux cas, ouvrez une fenêtre pour aérer la pièce.

### POUR VOTRE SÉCURITÉ, LISEZ CE QUI SUIT AVANT D'ALLUMER L'APPAREIL :

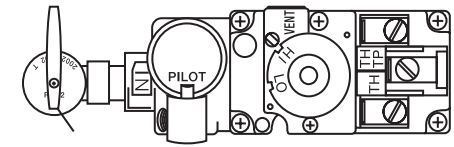
- A.** Cet appareil est équipé d'un dispositif d'allumage qui allume automatiquement la veilleuse. N'essayez pas de l'allumer manuellement.
- B.** Avant d'allumer, sentez autour de l'appareil et près du plancher afin de vous assurer qu'il n'y a pas de fuite de gaz. Certains gaz sont plus lourds que l'air et se déposeront au niveau du plancher.
- C.** N'utilisez que votre main pour tourner le bouton de contrôle du gaz. N'utilisez jamais d'outils. Si le bouton ne tourne pas manuellement, n'essayez pas de le réparer. Contactez un technicien de service qualifié. Forcer le bouton ou tenter de réparer le mécanisme pourrait causer un feu ou une explosion.
- D.** N'utilisez pas cet appareil si une partie quelconque a été submergée. Appelez un technicien qualifié immédiatement pour inspecter l'appareil et pour remplacer toute pièce du système de contrôle et du contrôle du gaz qui aurait été submergée.

### QUE FAIRE SI VOUS DÉTECTEZ UNE ODEUR DE GAZ :

- Coupez l'alimentation en gaz à l'appareil.
- Ouvrez les fenêtres.
- N'allumez aucun appareil.
- Ne touchez à aucun interrupteur électrique.
- N'utilisez aucun téléphone dans votre immeuble.
- De la maison d'un voisin, appelez immédiatement votre fournisseur de gaz et suivez ses instructions.
- Si vous ne pouvez pas joindre votre fournisseur de gaz, appelez le service des incendies.

### INSTRUCTIONS D'ALLUMAGE :

1. ARRÊTEZ! Lisez les consignes de sécurité sur l'étiquette de fonctionnement.
2. Mettez l'interrupteur mural à la position « OFF ».
3. Coupez l'alimentation électrique à l'appareil et enlevez les piles.
4. Cet appareil est équipé d'un dispositif d'allumage qui allume automatiquement la veilleuse. N'essayez pas de l'allumer manuellement.
5. Tournez le bouton de contrôle du gaz vers la droite à « OFF ».
6. Ouvrez la porte vitrée.
7. Attendez 5 minutes pour que le gaz puisse s'échapper. Si vous détectez une odeur de gaz, incluant au niveau du plancher, ARRÊTEZ! Suivez la section « B » sur l'étiquette de fonctionnement. Continuez à l'étape suivante si vous ne sentez pas de gaz.
8. Fermez la porte vitrée.
9. Tournez le bouton de contrôle du gaz vers la gauche à « ON ».
10. Rétablissez l'alimentation électrique à l'appareil, et réinstallez les piles.
11. Remettez l'interrupteur mural à la position « ON ».
12. Si l'appareil ne fonctionne pas, suivez les INSTRUCTIONS POUR COUPER LE GAZ, puis téléphonez à votre technicien de service ou votre fournisseur de gaz.



### INSTRUCTIONS POUR COUPER LE GAZ :

1. Mettez l'interrupteur mural de l'appareil à la position « OFF ».
2. Coupez l'alimentation électrique à l'appareil si un travail d'entretien doit se faire.
3. Tournez la sousape d'arrêt manuelle vers la droite à « OFF ». Ne forcez pas.

# 7.0 INSTALLATION DE LA SOUFFLERIE OPTIONNELLE

## ⚠ AVERTISSEMENT

**RISQUE D'INCENDIE ET DE CHOC ÉLECTRIQUE.**

COUPEZ L'ALIMENTATION EN GAZ ET L'ALIMENTATION ÉLECTRIQUE AVANT DE PROCÉDER À L'ENTRETIEN DE L'APPAREIL.

N'UTILISEZ QUE LES ACCESSOIRES OPTIONNELS ET LES PIÈCES DE REMPLACEMENT APPROUVÉES PAR WOLF STEEL POUR CET APPAREIL. L'UTILISATION D'ACCESSOIRES NON LISTÉS (SOUFFLERIE, PORTES, PERSIENNES, MOULURES, COMPOSANTS DE GAZ, COMPOSANTS D'ÉVACUATION, ETC.) POURRAIT ÊTRE NON SÉCURITAIRE ET ANNULER LA GARANTIE ET LA CERTIFICATION.

AFIN DE PRÉVENIR LES CHOC ÉLECTRIQUES ET LES DOMMAGES CAUSÉS PAR LE FEU, ASSUREZ-VOUS QUE LE CORDON D'ALIMENTATION DU VENTILATEUR N'ENTRE PAS EN CONTACT AVEC QUELCONQUE SURFACE DE L'APPAREIL. NE FAITES PAS PASSER LE CORDON D'ALIMENTATION SOUS L'APPAREIL.

LE HARNAIS DE FILS FOURNI DANS L'ENSEMBLE DE SOUFFLERIE EST UN HARNAIS UNIVERSEL. LORS DE SON INSTALLATION, ASSUREZ-VOUS QUE TOUT EXCÈS DE FIL EST CONFINÉ, L'EMPÊCHANT AINSI D'ENTRER EN CONTACT AVEC DES OBJETS CHAUDS OU MOBILES.

51.5

**L'INSTALLATION ÉLECTRIQUE DOIT ÊTRE FAITE PAR UN INSTALLATEUR QUALIFIÉ,** raccordée et mise à la terre conformément aux codes locaux. En l'absence de codes locaux, utilisez la version courante du Code canadien de l'électricité CSA C22.1 au Canada ou le National Electrical Code ANSI/NFPA 70 aux États-Unis.

**A.** Retirez les plaques poinçonnées de la soufflerie et de l'interrupteur thermique sur le panneau arrière.

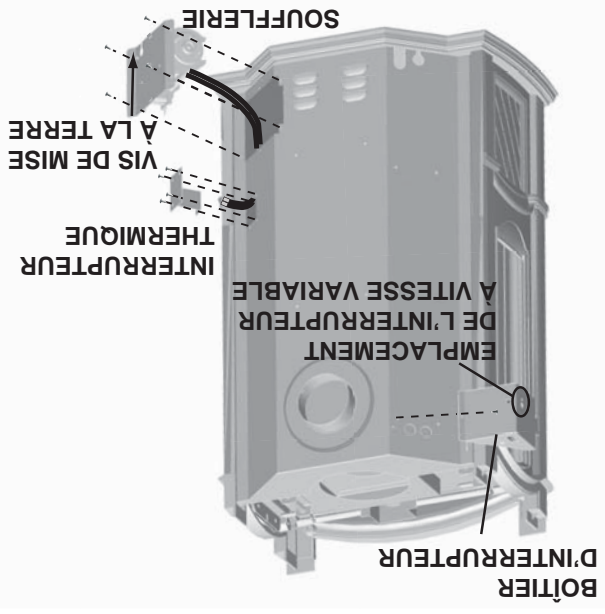
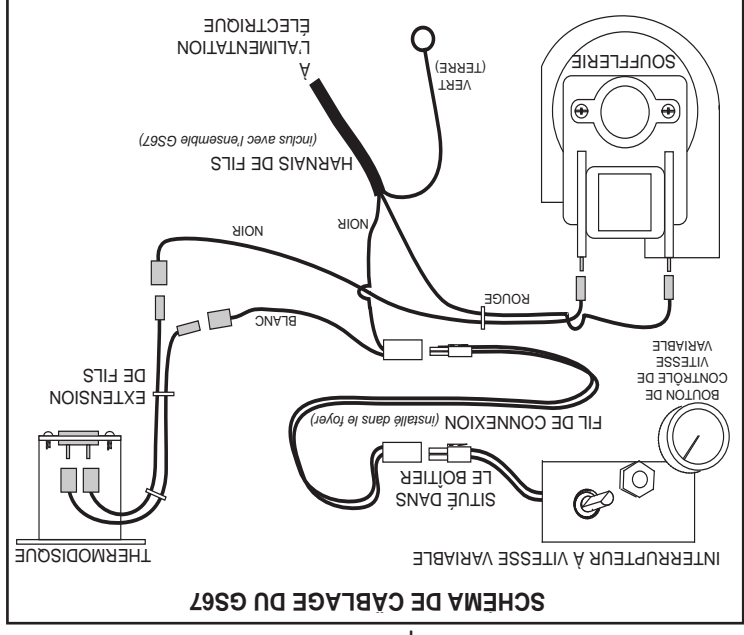
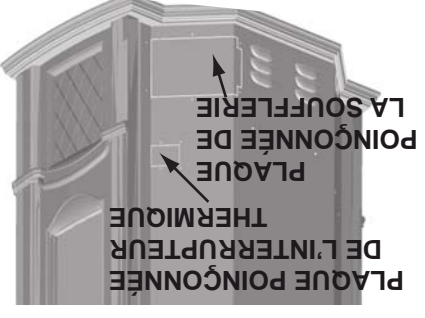
**B.** Faites passer l'extension de fils dans le trou de la soufflerie tel qu'illustré et branchez aux bornes de l'interrupteur thermique.

**C.** Assurez-vous que l'interrupteur thermique touche la paroi de la chambre de combustion. Fixez l'interrupteur thermique au panneau arrière à l'aide de quatre des vis #8 fournies.

**D.** Branchez l'interrupteur à vitesse variable au fil de connexion (installé dans l'appareil) situé tout juste à l'intérieur du plus gros trou.

**E.** Insérez la soufflerie dans le panneau arrière et fixez à l'aide des autres vis #8 fournies.

**F.** Retirez le boîtier d'interrupteur, branchez l'interrupteur à vitesse variable au fil de connexion et fixez l'interrupteur sur le côté du boîtier. Fixez l'interrupteur à vitesse variable à l'aide de l'écrou fourni. Réinstallez le boîtier d'interrupteur. Installez le bouton de contrôle de vitesse variable.



## 6.4 BRAISES DE CHARBON DE BOIS

Épaillez les braises à l'avant et sur les côtés du support à bûches de façon à créer un effet réaliste.

**N'utilisez pas la fine poussière qui reste au fond du sac.**

**NOTE :** Les braises de charbon de bois ne doivent pas être placées sur le brûleur.

32.1

## 6.5 VERMICULITE

**Sprinkle vermiculite around the charcoal embers.**

**NOTE:** Vermiculite is not to be placed on the burner.

33.1

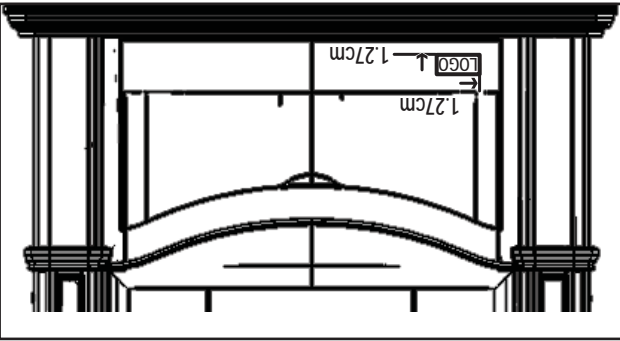
## 6.6 BRAISES INCANDESCENTES

Déchirez les braises incandescentes en morceaux et placez-les le long des orifices du brûleur en prenant soin de couvrir tout le brûleur. Les braises devraient être déchirées très soigneusement en petits morceaux minces irréguliers, car seuls les côtés exposés des fibres deviendront incandescentes. Les braises seront incandescentes seulement lorsqu'elles sont exposées à une flamme directe; cependant, prenez bien garde de ne pas boucher les orifices du brûleur.

Le blocage des orifices du brûleur peut créer une flamme irrégulière, des dépôts de carbone et un retard d'allumage. Les bûches Phazer<sup>MD</sup> rougeoient lorsqu'elles sont exposées à une flamme directe. N'utilisez que des braises incandescentes et des bûches certifiées Phazer<sup>MD</sup>, disponibles chez votre détaillant Napoleon®.

## 6.7 MISE EN PLACE DU LOGO

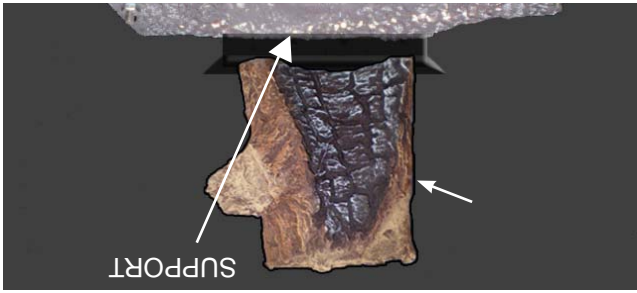
Retirez le papier dorsal et positionnez le logo sur la porte de contrôle tel qu'illustré.



<b>! AVERTISSEMENT</b>
OMETTRE DE POSITIONNER LES BÛCHES CONFORMÉMENT AUX SCHEMAS OU OMETTRE D'UTILISER UNIQUEMENT DES BÛCHES SPÉCIFIQUEMENT APPROUVÉES POUR CET APPAREIL PEUT CAUSER DES DOMMAGES MATÉRIELS OU DES BLESSURES CORPORELLES.
LES BÛCHES DOIVENT ÊTRE PLACÉES CORRECTEMENT À L'INTÉRIEUR DE L'APPAREIL. NE CHANGEZ PAS LA POSITION DES BÛCHES CAR L'APPAREIL RISQUE DE NE PAS FONCTIONNER ADEQUATEMENT ET UN RETARD D'ALLUMAGE RISQUE DE SE PRODUIRE.
LES BÛCHES SONT FRAGILES ET DEVRAIENT ÊTRE MANIPULÉES AVEC SOIN.

76.1A

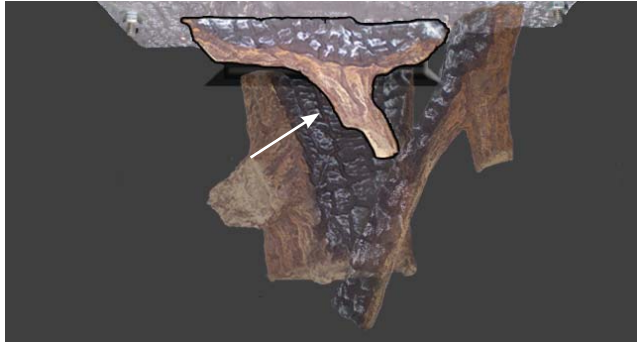
Pour installer les bûches, la porte vitrée doit être enlevée. Voir la section « INSTALLATION ET ENLÈVEMENT DE LA PORTE VITRÉE ».



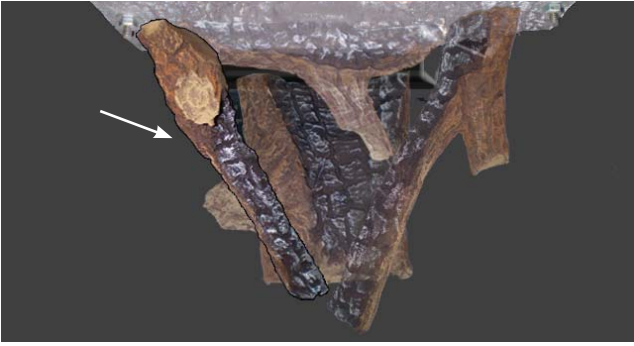
A. Placez la bûche arrière tel qu'illustré en vous assurant que les trous sous la bûche soient placés sur les 2 tiges du support à bûches.



B. Placez la bûche gauche tel qu'illustré en vous assurant que le trou sous la bûche soit placé sur la tige du brûleur. La bûche appuiera contre le côté gauche de la bûche arrière.



C. Placez la bûche centrale tel qu'illustré, suivez le contour du brûleur et assurez-vous que les orifices de brûleur ne soient pas obstrués.



D. Positionnez le trou sous la bûche droite sur la tige de positionnement, sur la base du brûleur, et appuyez la bûche contre la bûche arrière tel qu'illustré.

E.

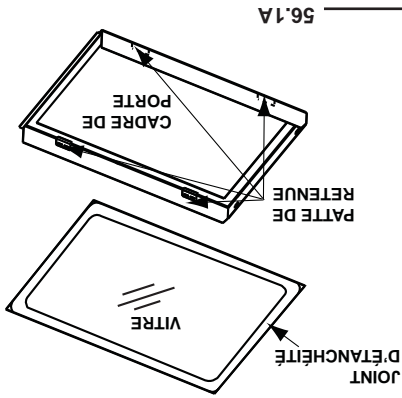
Reinstallez la porte vitrée.

<b>! AVERTISSEMENT</b>
<b>N'UTILISEZ PAS DE MATÉRIAUX DE SUBSTITUTION.</b>
<b>LA VITRE PEUT ÊTRE CHAUDE, NE TOUCHEZ PAS LA VITRE JUSQU'À CE QU'ELLE AIT REFFROIDI.</b>
<b>USEZ DE PRUDENCE LORSQUE VOUS ENLEVEZ ET JETEZ DES DÉBRIS DE VERRE OU DES COMPOSANTS ENDOMMAGÉS. ASSUREZ-VOUS D'ASPIRER TOUTS LES DÉBRIS DE VERRE À L'INTÉRIEUR DE L'APPAREIL AVANT DE LE FAIRE FONCTIONNER.</b>
<b>NE FRAPPEZ PAS, NE CLAQUEZ PAS ET N'ÉGRATIGNEZ PAS LA PORTE VITRÉE. NE FAITES PAS FONCTIONNER L'APPAREIL LORSQUE LA PORTE VITRÉE EST ENLEVÉE, FISSURÉE, BRISÉE OU ÉGRATIGNÉE.</b>

**A.** Placez le cadre de la porte avec la devanture vers le bas en prenant soin de ne pas égratigner la peinture.

**B.** Centrez la vitre avec joint d'étanchéité dans le cadre avec le côté épais du joint d'étanchéité orienté vers le haut.

**C.** Pliez les pattes de retenue situées sur le cadre par-dessus le joint d'étanchéité pour retenir la vitre en place. Faites attention à ne pas casser la vitre.





## 6.0 FINITIONS

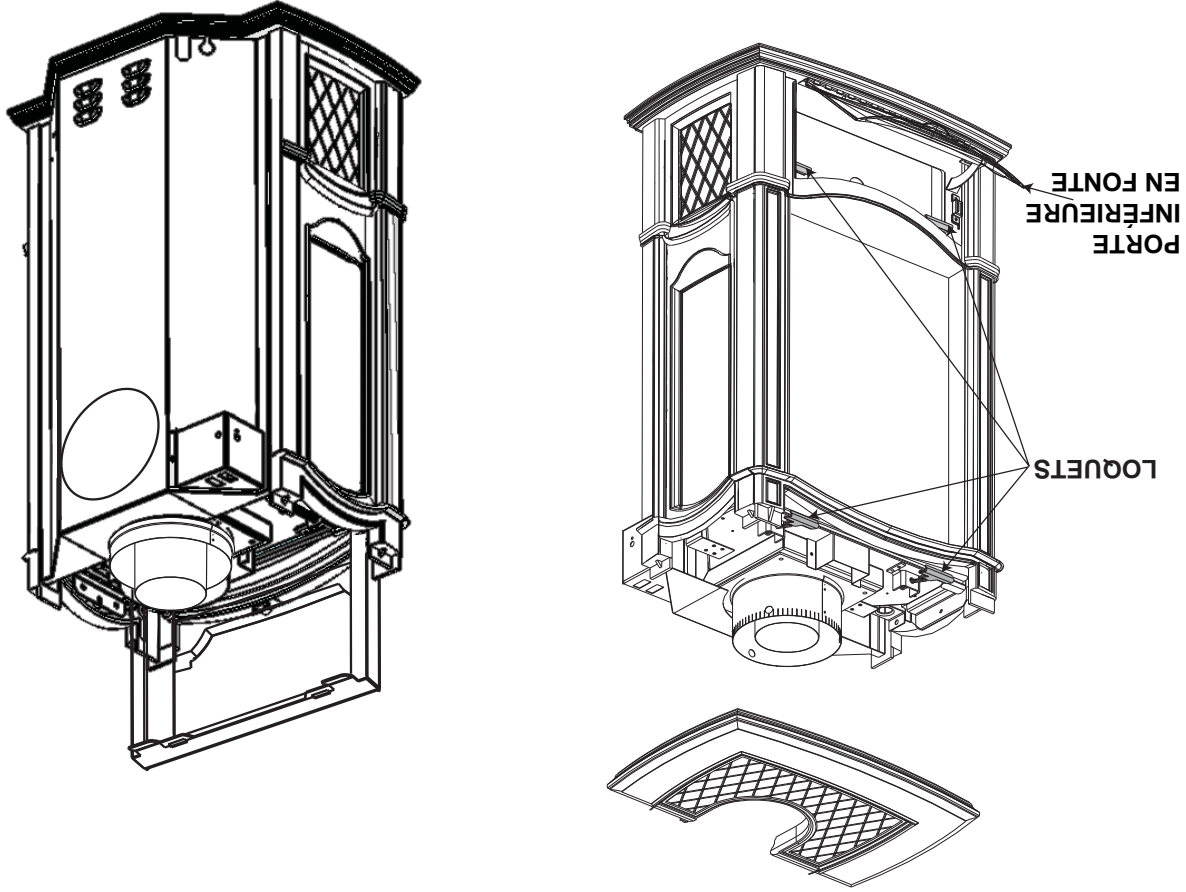
### 6.1 PORTE VITRÉE

#### **ENLEVEMENT :**

- Avant de pouvoir retirer la porte vitrée, il faut retirer le dessus en fonte et ouvrir la porte inférieure en fonte.
- La porte vitrée est maintenue en place par quatre loquets à ressort situés sur la bordure supérieure et inférieure du caisson. Tirez sur les loquets vers l'avant pour les déverrouiller.
- Glissez la porte vers l'avant hors de son support, puis soulevez-la pour la retirer.

#### **INSTALLATION :**

- Glissez la porte entre la façade en fonte et l'appareil, et déposez la porte sur son support, centré avec l'ouverture du caisson.
- Verrouillez les quatre loquets.
- Remplacez le dessus en fonte.





# 5.0 BRANCHEMENT ÉLECTRIQUE

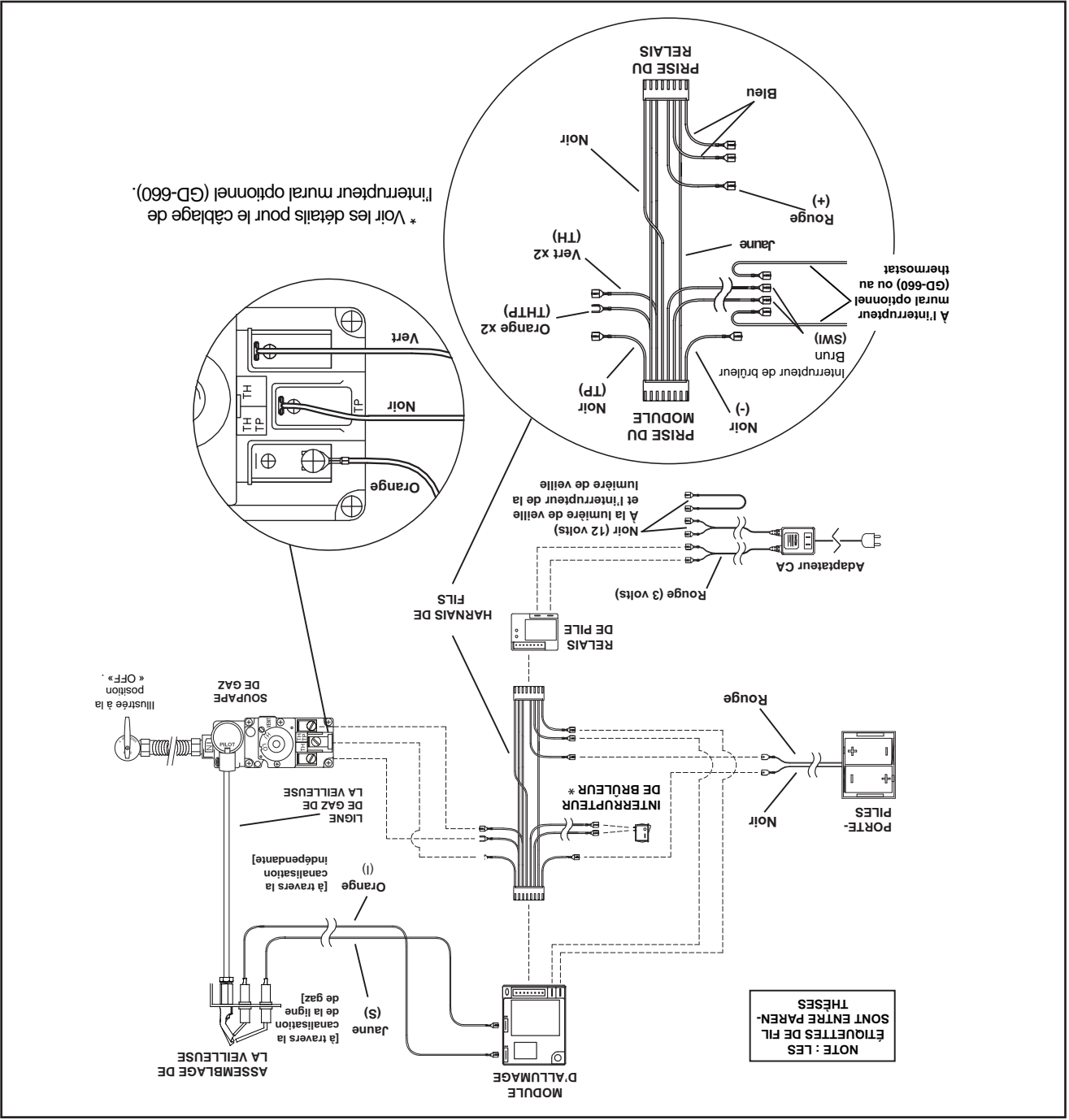
## 5.1 SCHEMA DE CÂBLAGE

Les interrupteurs du brûleur et de la lumière de veille sont situés derrière le panneau d'accès intérieur. Pour faciliter l'accès, des interrupteurs muraux optionnels pour le brûleur et la lumière de veille peuvent être installés dans un endroit pratique.

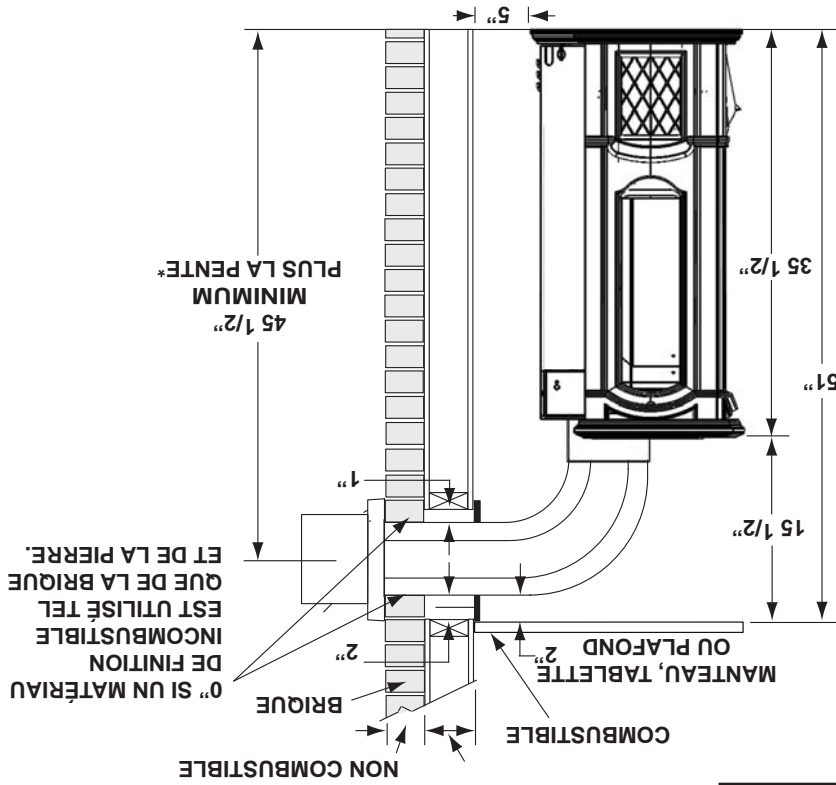
La longueur maximale du fil dépend du calibre du fil :

DIAMÈTRE	LONGUEUR MAX.
calibre 18	40 pieds
calibre 16	60 pieds
calibre 14	100 pieds

Passer un fil à deux brins (noyau solide) à travers l'entrée électrique située du côté intérieur gauche de l'appareil. Raccordez les fils de l'interrupteur mural aux deux cosses correspondantes à l'arrière des interrupteurs marche/arrêt situés derrière le panneau d'accès intérieur.

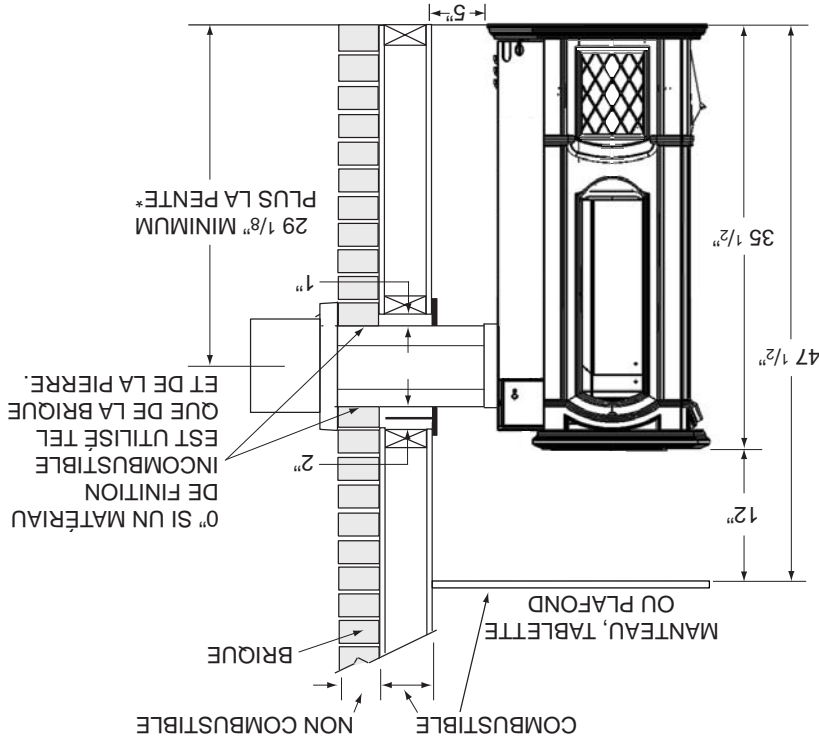


**ÉVACUATION SUR LE DESSUS**



Le plafond où l'appareil est installé doit avoir une hauteur minimale de 51" pour une évacuation sur le dessus avec terminaison horizontale. Pour une évacuation sur le dessus avec terminaison verticale, voir « ÉVACUATION ARRIÈRE » pour connaître les dégagements spécifiques. Afin de respecter les contraintes de température, l'espace autour de l'appareil et au-dessus, doit demeurer sans obstruction.

Le plafond ou l'appareil est installé doit avoir une hauteur minimale de 47 1/2" pour une évacuation à l'arrière. Afin de respecter les contraintes de température, l'espace autour de l'appareil et au-dessus, doit demeurer sans obstruction.



**ÉVACUATION ARRIÈRE**

À une distance de 2" du mur, l'installation ou l'entretien de la soufflerie peut s'avérer difficile. Une distance minimale de 5" du mur, est nécessaire pour installer ou faire l'entretien de la soufflerie.

\*\* Pour une évacuation sur le dessus avec terminaison verticale, voir « ÉVACUATION ARRIÈRE » pour connaître les dégagements spécifiques.  
 l'espaceur coupe-feu W010-1313 (fourni).  
 Un dégagement minimal aux matériaux combustibles de 1" est requis sur toutes les courses verticales. Utilisez


**\*SECTIONS D'ÉVENTS VERTICALES :**

l'écran protecteur W585-0240 (fournis).  
 au-dessus doit être maintenu sur toutes les courses horizontales. Utilisez l'espaceur coupe-feu W010-1313 et  
 Un dégagement minimal aux matériaux combustibles de 1" en dessous et sur les côtés de l'évent et de 2"

**\*SECTIONS D'ÉVENTS HORIZONTALES :**

	<b>Dégagements minimaux de l'appareil aux matériaux combustibles :</b>	A	-	2"
		B	-	5"
		C	-	2"
<b>Ossature combustible :</b>				
		-	-	1" des côtés et du dessous du conduit d'évent*
		-	-	2" au-dessus du conduit d'évent*
<b>NOTE : L'appareil ne devrait pas être installé directement sur du tapis.</b>				
	<b>Évacuation arrière :</b>	-	-	47 1/2" du plafond à la base de l'appareil
	<b>Évacuation sur le dessus :</b>	-	-	51" du plafond à la base de l'appareil**

**DÉGAGEMENTS MINIMAUX AUX MATÉRIAUX COMBUSTIBLES**

 <b>AVERTISSEMENT</b>
<p>RISQUE D'INCENDIE, D'EXPLOSION OU D'ASPHYXIE. ASSUREZ-VOUS QU'IL N'Y AIT AUCUNE SOURCE D'ALLUMAGE COMME DES ÉTINCELLES OU UNE FLAMME NUE.</p>
<p>SOUTENEZ LE CONTRÔLE DU GAZ LORSQUE VOUS ATTACHEZ LE TUYAU POUR ÉVITER DE PLIER LA CONDUITE DE GAZ.</p>
<p>ALLUMEZ TOUJOURS LA VEILLEUSE, QUE CE SOIT POUR LA PREMIÈRE FOIS OU LORSQUE L'APPROVISIONNEMENT EN GAZ EST ÉPUISÉ, AVEC LA PORTE VITRÉE OUVERTE OU RETIRÉE. LA PURGE DOIT ÊTRE EFFECTUÉE PAR UN TECHNICIEN QUALIFIÉ. ASSUREZ-VOUS QUE L'ARRIVÉE DE GAZ AU BRÛLEUR EST CONTINUE AVANT DE FERMER LA PORTE. ASSUREZ-VOUS D'UNE VENTILATION ADEQUATE. POUR LES EMPLACEMENTS DE L'ENTRÉE DU GAZ ET DE L'ENTRÉE ÉLECTRIQUE, VOIR LA SECTION « DIMENSIONS ».</p>
<p>LORSQUE LE BRANCHEMENT EST TERMINÉ, TOUS LES RACCORDS DE GAZ DOIVENT SE TROUVER À L'INTÉRIEUR DU FOYER.</p>
<p>LES PRESSIONS ÉLEVÉES ENDOMMAGERONT LA SOUPAPE. L'ALIMENTATION EN GAZ DOIT ÊTRE DÉBRANCHÉE PENDANT LES ESSAIS DE PRESSION DE CE SYSTÈME LORSQUE LES PRESSIONS D'ESSAI EXCÈDENT ½ LB/PO<sup>2</sup> (3,5 KPA).</p>
<p>LES RÉGLAGES DE LA SOUPAPE ONT ÉTÉ FAITS EN USINE; NE LES MODIFIEZ PAS.</p>

L'installation et l'entretien doivent être effectués par un installateur qualifié.

- A.** Mettez l'appareil en place et fixez-le.
- B.** Si l'appareil est muni d'un raccord flexible, celui-ci est conçu pour recevoir une conduite de gaz de 1/2". Sans raccord flexible, l'appareil est conçu pour recevoir une conduite de gaz de 3/8". L'appareil est muni d'une soupape d'arrêt manuelle pour fermer l'alimentation en gaz.
- C.** Branchez le gaz en conformité avec les codes locaux. En l'absence de codes locaux, l'installation doit être conforme au Code d'installation du gaz CAN/CSA-B149.1 dans sa version pour le Canada ou le National Fuel Gas Code, ANSI Z223.1 / NFPA 54 pour les États-Unis.
- D.** Lorsque vous manipulez des conduites de gaz, soutenez la soupape de gaz pour éviter que les conduites ne se plient.
- E.** Le raccord flexible de l'alimentation en gaz devrait être suffisamment mobile pour permettre de placer l'assemblage du brûleur sur le côté.
- F.** Vérifiez pour des fuites de gaz en appliquant une solution d'eau savonneuse. **N'utilisez pas une flamme nue.**

\_\_\_\_\_ 30.1A

Cet appareil est certifié pour être installé comme équipement d'origine (CEM) dans une maison préfabriquée ou une maison mobile. Son installation doit être effectuée en respectant les directives du fabricant et le Manufactured Home Construction and Safety Standard, Title 24 CFR, Part 3280, aux États-Unis, ou les normes actuelles pour les maisons mobiles, CAN/CSA Z240 SÉRIE MH, au Canada. Cet appareil ne doit être utilisé qu'avec le type de gaz indiqué sur la plaque d'homologation. Un ensemble de conversion est fourni avec l'appareil pour maison mobile.

Cet appareil homologué pour les maisons mobiles et préfabriquées possède des éléments de fixation. L'appareil est muni de deux trous de  $\frac{1}{4}$ " de diamètre, situés aux coins avant, gauche et droit de la base. Lors d'une installation dans une maison mobile, l'appareil doit être fixé au plancher. Fixez à l'aide de vis #10 à tête hexagonale insérées dans les trous de la base. Éteignez toujours la veilleuse et l'alimentation en gaz à la source avant de déplacer la maison mobile. Après avoir déplacé la maison mobile et avant d'allumer l'appareil, assurez-vous que les bûches sont placées correctement.

Cet appareil est certifié pour être installé dans une maison mobile installée de façon permanente, sauf si les codes locaux l'interdisent. Cet appareil ne doit être utilisé qu'avec le type de gaz indiqué sur la plaque d'homologation. On ne peut utiliser cet appareil avec d'autres types de gaz, sauf si un ensemble de conversion certifié est utilisé.

Ensembles de conversion

L'appareil pour maison mobile peut être converti au gaz naturel (GN) ou au propane (PL). Pour effectuer une conversion, veuillez consulter votre détaillant autorisé.

29.1

**AVERTISSEMENT**  
**CONSERVEZ UN ESPACE MINIMAL DE 2" ENTRE LA BASE DE LA PRISE D'AIR ET LE COLLET DE SOLIN.**

**A.** Fixez le support de toit au toit à l'aide des vis fournies. Le support

de toit est optionnel. Dans ce cas, l'évent doit être supporté adéquatement soit en utilisant une méthode alternative se conformant aux normes des autorités compétentes, soit en utilisant le support de toit optionnel.

**B.** Étirez la gaine flexible intérieure à la longueur requise.

Glissez la gaine flexible intérieure sur le manchon intérieur du connecteur de terminaison en assurant un

chevauchement minimal de 2" et fixez à l'aide de trois vis #8. Scellez en appliquant un généreux joint de scellant à haute température W573-0007 (non fourni).

**C.** Installez la gaine flexible extérieure de la même façon et

scellez en appliquant un généreux joint de scellant à haute température W573-0002 (non fourni).

**D.** Faites passer le montage du connecteur de terminaison/gaines

flexibles à travers le toit. La terminaison doit être verticale et d'aplomb. Fixez le connecteur de terminaison au support de toit en

vous assurant que le dessus de la terminaison excède le côté le plus élevé du toit d'au moins 16" une fois fixée.

**E.** Enlevez les clous des bardeaux sur le dessus et les côtés du

connecteur de terminaison. Placez le solin par-dessus le connecteur de terminaison en laissant un minimum de 3/4" de connecteur de

terminaison visible au-dessus du haut du solin. Glissez le solin sous les côtés et le bord supérieur des bardeaux. Assurez-vous que le

connecteur de terminaison est bien centré dans le solin, en laissant une marge de 3/4" tout autour. Fixez-le au toit. Ne clouez pas à

travers la partie inférieure du solin. Imperméabilisez-le en le scellant avec du caiffeurage. Si possible, recouvrez les côtés et le bord

supérieur du solin avec des matériaux de couverture.

**F.** Alignez les joints de la terminaison et du connecteur de terminaison et placez la terminaison par-dessus le connecteur

de terminaison en vous assurant que le manchon pénètre dans le trou de la terminaison. Fixez à l'aide des trois vis

fournies.

**G.** Appliquez un généreux joint de caiffeurage à l'éprouve de l'eau à 2" au-dessus du solin. Installez le collet de solin autour

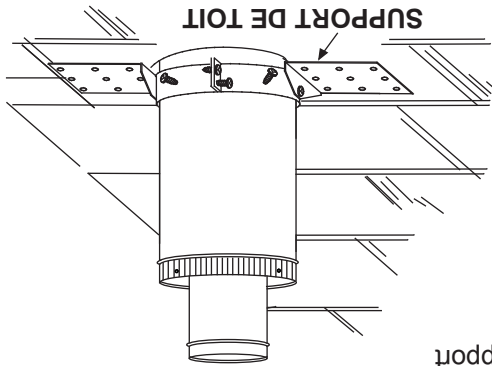
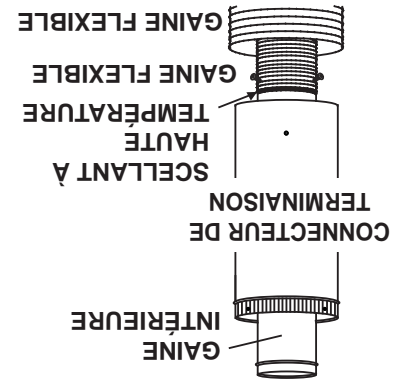
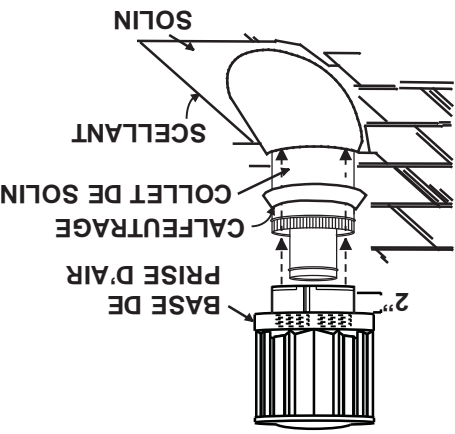
de la terminaison et glissez-le jusqu'à la ligne de caiffeurage. Serrez afin d'assurer l'étanchéité entre la terminaison et le

collet.

**H.** Si plus de sections de gaine doivent être utilisées pour atteindre l'appareil, voir la section « INSTALLATION DE LA

TERMINAISON HORIZONTALE ».

24.1



## 4.1.5 INSTALLATION DE LA TERMINAISON HORIZONTALE PROLONGÉE AJUSTABLE

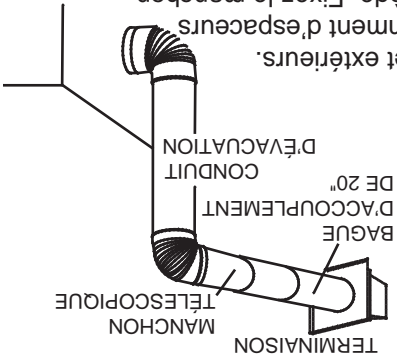
Une installation en coin de 45° peut avoir une élévation de 0" entre le collet d'air de combustion de l'appareil et la terminaison. Dans ce cas, les longueurs de l'évent ne doivent pas dépasser 24". Pour des longueurs d'évent horizontales plus grandes, une élévation verticale d'un minimum de 24" est requise.

**A.** Suivez les instructions aux étapes A à C dans « Installation de la terminaison horizontale ».

**B.** Continuez d'ajouter des composants en alternant les conduits intérieurs et extérieurs. Assurez-vous que tous les conduits intérieurs et les coudes aient suffisamment d'espaces et que chaque composant est scellé et fixé solidement à celui qui le précède. Fixez le manchon télescopique à la course de l'évent. Fixez solidement et scellez. Pour faciliter l'achèvement, fixez des bagues d'accouplement intérieures et extérieures à la terminaison.

**C.** Installez la terminaison. Voir l'étape 3 dans « Installation de la terminaison horizontale ». Étirez le manchon télescopique extérieur et raccordez-le à la terminaison. Fixez le manchon avec des vis auto-perçuses et scellez.

48.2



**AVERTISSEMENT**

LES TERMINAISONS NE DOIVENT PAS ÊTRE ENCHÂSSÉES DANS UN MUR OU UN PAREMENT À UNE PROFONDEUR EXCÉDANT CELLE DE LA BRIDE DE LA PLAQUE DE MONTAGE.

NE LAISSEZ PAS LE CONDUIT INTÉRIEUR SE TASSER CONTRE LES COURSES HORIZONTALES OU VERTICALES ET LES COUDES. GARDEZ-LE TENDU.

DES ESPACEURS SONT FIXÉS À LA GAINE FLEXIBLE INTÉRIEURE À INTERVALLES PRÉDÉTERMINÉS AFIN DE GARDER UN ESPACE VIDE UNIFORME AVEC LE CONDUIT RIGIDE EXTÉRIEUR. CET ESPACE EST REQUIS POUR QUE LE FONCTIONNEMENT SOIT SÉCURITAIRE. UN ESPACEUR EST REQUIS AU DÉBUT, AU MILIEU ET À LA FIN DE CHAQUE COUDE AFIN DE MAINTENIR CET ESPACE VIDE. N'ENLEVEZ PAS CES ESPACEURS.

Tous les joints du conduit flexible de 4" et du conduit rigide de 7" doivent être scellés avec le scellant à haute température W573-0002 (non fourni) ou du scellant à haute température Mill Pac W573-0007 (non fourni). Cependant, le raccordement du conduit flexible de 4" à la buse de l'appareil doit être scellé avec le scellant à haute température Mill Pac W573-0007 (non fourni).

**A.** Étirez la gaine flexible intérieure à la longueur requise en

tenant compte de la longueur supplémentaire nécessaire pour la surface du mur fini. Appliquez un généreux joint de scellant à haute température W573-0007 Mill Pac (non fourni). Glissez la gaine flexible sur le manchon intérieur de la terminaison en assurant un chevauchement minimal de 2" et fixez à l'aide de trois vis #8.

**B.** Installez la gaine rigide extérieure en la glissant sur le

manchon extérieur de la terminaison et fixez à l'aide de trois vis #8. Scellez avec du scellant à haute température W573-

0002 (non fourni).

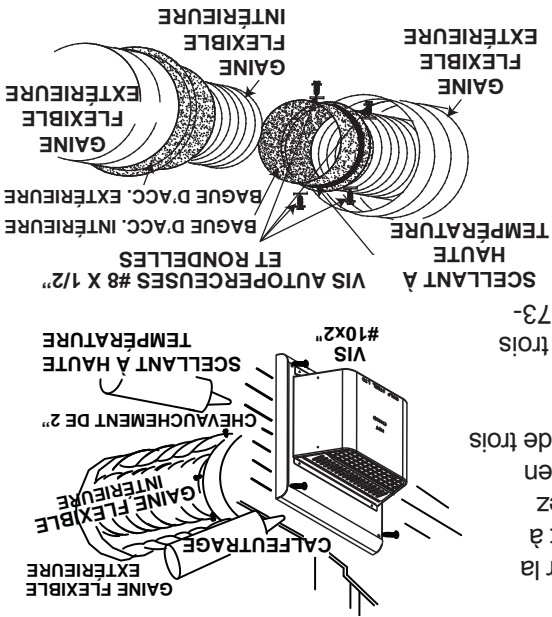
**C.** Insérez les gaines dans le coupe-feu tout en

conservant le dégagement nécessaire aux matériaux combustibles. En soutenant la terminaison (les inscriptions étant à l'endroit et lisibles), fixez-la au mur extérieur et rendez-la étanche en la scellant avec du

calfeutrage (non fourni).

**D.** De l'intérieur de la maison, scellez en appliquant de la silicone entre le conduit d'évent et le coupe-feu.

Glissez ensuite le collet de finition noir sur le conduit d'évent jusqu'au coupe-feu.



**E.** Si plus de sections de gaine doivent être utilisées pour atteindre l'appareil, raccordez-les ensemble tel qu'illustré. Les courses horizontales et verticales du système d'évacuation doivent être supportées chaque 3 pieds approximativement. Utilisez des supports incombustibles afin de maintenir le

dégagement minimal de 1" aux matériaux combustibles.

**La plaque de montage de la terminaison peut être enchâssée dans le mur ou le revêtement extérieur, n'excédant pas l'épaisseur de la bride.**



4.1.3 INSTALLATION VERTICALE

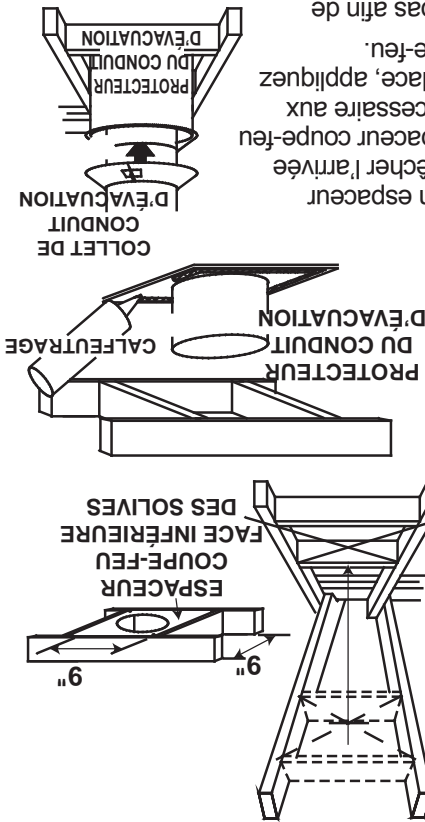
Cette configuration s'applique lorsque l'évacuation se fait à travers un toit. Des ensembles d'installation pour les différentes pentes de toit sont disponibles chez votre détaillant autorisé. Voir la section « Accessoires » pour commander l'ensemble spécifique dont vous avez besoin.

A. Une fois que vous aurez déterminé l'emplacement de la terminaison, découpez et charpentez une ouverture dans le plafond et le toit pour laisser le dégagement minimal de 1" entre le conduit d'évent et tout matériau combustible. Essayez de positionner le conduit d'évent à mi-chemin entre deux solives pour ne pas être obligé de les couper.

Utilisez du fil à plomb pour aligner le centre des ouvertures. Un protecteur de conduit d'évacuation empêchera tout matériau, tel que l'isolant, de remplir l'espace vide de 1" autour de l'évent. Fixez des entretoises entre les solives pour assurer un support additionnel.

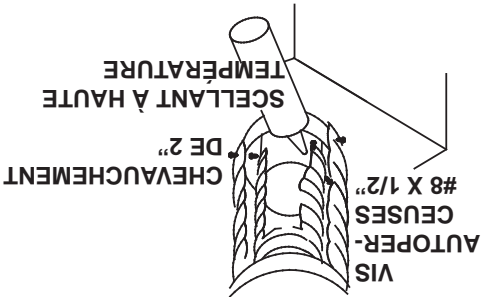
B. Appliquez un joint de calfeutrage (non fourni) sur la charpente ou sur le protecteur de conduit d'évacuation Wolf Steel ou l'équivalent (dans le cas d'un plafond fini) et fixez le protecteur de conduit d'évacuation de façon à recouvrir l'ouverture dans le plafond. Un espaceur coupe-feu doit être fixé à la base de chaque ouverture charpentée dans un toit ou un plafond par lequel traverse le système d'évacuation. Appliquez un joint de calfeutrage tout autour et placez un espaceur

d'air froid dans la pièce ou autour de l'appareil. Assurez-vous que l'espaceur coupe-feu et le protecteur de conduit d'évacuation conservent le dégagement nécessaire aux matériaux combustibles. Une fois que le conduit d'évacuation est en place, appliquez un agent d'étanchéité entre le conduit d'évacuation et l'espaceur coupe-feu. Dans le grenier, faites glisser le collet de conduit d'évacuation vers le bas afin de recouvrir l'extrémité ouverte du protecteur de conduit d'évacuation et serrez. Ceci empêchera tout matériau, tel que l'isolant, de remplir l'espace vide de 1 po autour de l'évent.



4.1.2 RACCORDEMENT DES ÉVÉNTS À L'APPAREIL

- A. Attachez le tuyau télescopique à la dernière section de conduit rigide. Fixez-le avec des vis et scellez. Raccordez la gaine flexible intérieure à l'appareil. Fixez-la à l'aide de trois vis et de trois rondelles. Scellez le joint et les têtes de vis avec du scellant à haute température W573-0007 (non fourni).
- B. Appliquez un joint de scellant à haute température (non fourni) à l'intérieur de la buse de prise d'air. Glissez le conduit télescopique à l'intérieur de la buse de prise d'air sur une longueur d'au moins 2".
- C. Attachez le tuyau télescopique à la dernière section de conduit rigide. Fixez-le avec des vis et scellez. Raccordez la gaine flexible intérieure à l'appareil. Fixez-la à l'aide de trois vis et de trois rondelles. Scellez le joint et les têtes de vis avec du scellant à haute température W573-0007 (non fourni).



**NOTE :** Assurez-vous que le scellant n'est pas visible sur les tuyaux extérieurs une fois l'installation terminée. Une bande décorative noire optionnelle est disponible à cet effet. Dans l'éventualité où le système d'évents doit être démonté, il faudra prendre soin de sceller les événements à nouveau.

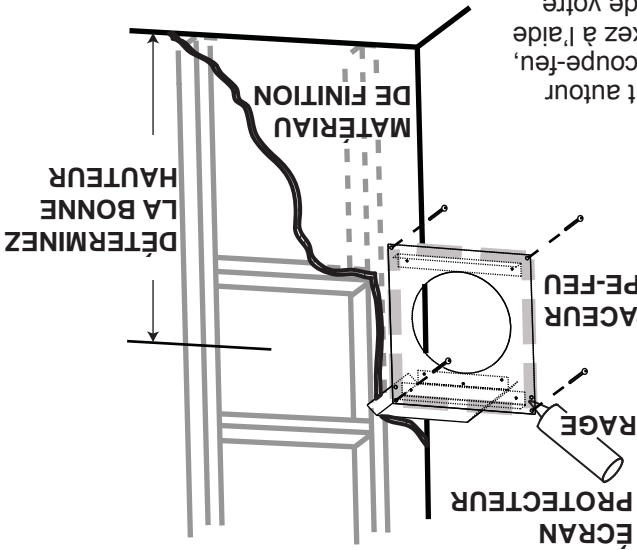
**! AVERTISSEMENT**  
 L'ESPACEUR COUPE-FEU DOIT ÊTRE INSTALLÉ AVEC L'ÉCRAN PROTECTEUR ORIENTÉ VERS LE HAUT.  
 LA TERMINAISON NE DOIT PAS ÊTRE ENCHÂSSÉE DANS LE MUR OU LE REVÊTEMENT EXTÉRIEUR  
 PLUS QUE L'ÉPAISSEUR DE LA BRIDE DE LA PLAQUE DE MONTAGE.

Cette configuration s'applique lorsque le conduit d'évent traverse un mur extérieur. Une fois que vous aurez déterminé la hauteur exacte pour l'emplacement de la terminaison, découpez et charpentez une ouverture dans le mur extérieur (comme illustré) pour permettre l'installation de l'espaceur coupe-feu. Avant de continuer, placez l'espaceur coupe-feu dans l'ouverture pour vous assurer que les supports sur la surface arrière soient placés contre la face intérieure de la pièce de charpente horizontale. L'écran protecteur peut-être taillé pour des murs combustibles qui ont moins de 8 1/2" de profond, mais doit se prolonger sur toute la profondeur du mur combustible.

**A.** Appliquez un joint de calfeutrage (non fourni) tout autour de la bordure de la face intérieure de l'espaceur coupe-feu, installez l'espaceur coupe-feu contre le trou et fixez à l'aide des quatre vis W570-0026 (fournies dans le sac de votre manuel).

**B.** Une fois que le conduit d'évent est en place, appliquez du scellant à haute température W573-0007 (non fourni) entre le conduit d'évent et l'espaceur coupe-feu.

20.2



**AVERTISSEMENT**

AFIN D'ASSURER UN FONCTIONNEMENT SÉCURITAIRE ET ADÉQUAT DE L'APPAREIL, VOUS DEVEZ OBSERVER LES INSTRUCTIONS D'ÉVACUATION À LA LETTRE.

Tous les joints des conduits intérieurs et extérieurs peuvent être scellés avec du scellant de silicone rouge à haute température RTV W573-0002 (non fourni) ou du scellant noir à haute température MILL PAC W573-0007 (non fourni) à l'exception du raccordement du conduit d'évacuation à la buse de l'appareil qui doit être scellé avec le scellant MILL PAC.

Si vous utilisez des colliers pour tuyau pour raccorder les composants d'évacuation, vous devez aussi installer trois vis pour assurer que le raccordement ne se défasse pas.

NE SERREZ PAS LA GAINE FLEXIBLE.

RISQUE D'INCENDIE, D'EXPLOSION OU D'ASPHYXIE. SI L'ENSEMBLE DU SYSTÈME DE CONDUIT D'ÉVENT N'EST PAS ADEQUATEMENT SOUTENU, IL RISQUE DE FLECHIR OU DE SE SÉPARER. UTILISEZ DES SUPPORTS DE CONDUIT ET RACCORDEZ LES SECTIONS DE CONDUITS SELON LES INSTRUCTIONS D'INSTALLATION.

RISQUE D'INCENDIE. ÉVITEZ QUE L'ISOLANT TOUCHE AU CONDUIT D'ÉVACUATION. RETIREZ L'ISOLANT POUR PERMETTRE L'INSTALLATION DE L'ÉCRAN PROTECTEUR DU GRENIER ET POUR MAINTENIR LES DÉGAGEMENTS AUX MATÉRIAUX COMBUSTIBLES.

68.2A

4.1 PROTECTION DU MUR ET DU PLAFOND

**AVERTISSEMENT**

NE REMPLISSEZ L'ESPACE ENTRE LE CONDUIT D'ÉVENT ET LA CHARPENTE AVEC AUCUN TYPE DE MATÉRIAU. NE BOURREZ PAS D'ISOLANT NI DE MATÉRIAUX COMBUSTIBLES ENTRE LES ESPACEURS COUPE-FEU DU PLAFOND. CONSERVEZ TOUJOURS LES DÉGAGEMENTS REQUIS AUTOUR DES CONDUITS D'ÉVENT ET L'ASSEMBLAGE DE L'ESPACEUR COUPE-FEU. INSTALLEZ LES ÉCRANS MURAUX ET LES ESPACEURS COUPE-FEU TEL QUE SPÉCIFIÉ. SI VOUS NE GARDEZ PAS L'ISOLANT OU TOUT AUTRE MATÉRIAU À L'ÉCART DU CONDUIT D'ÉVENT, UN RISQUE D'INCENDIE POURRAIT S'ENSUIVRE.

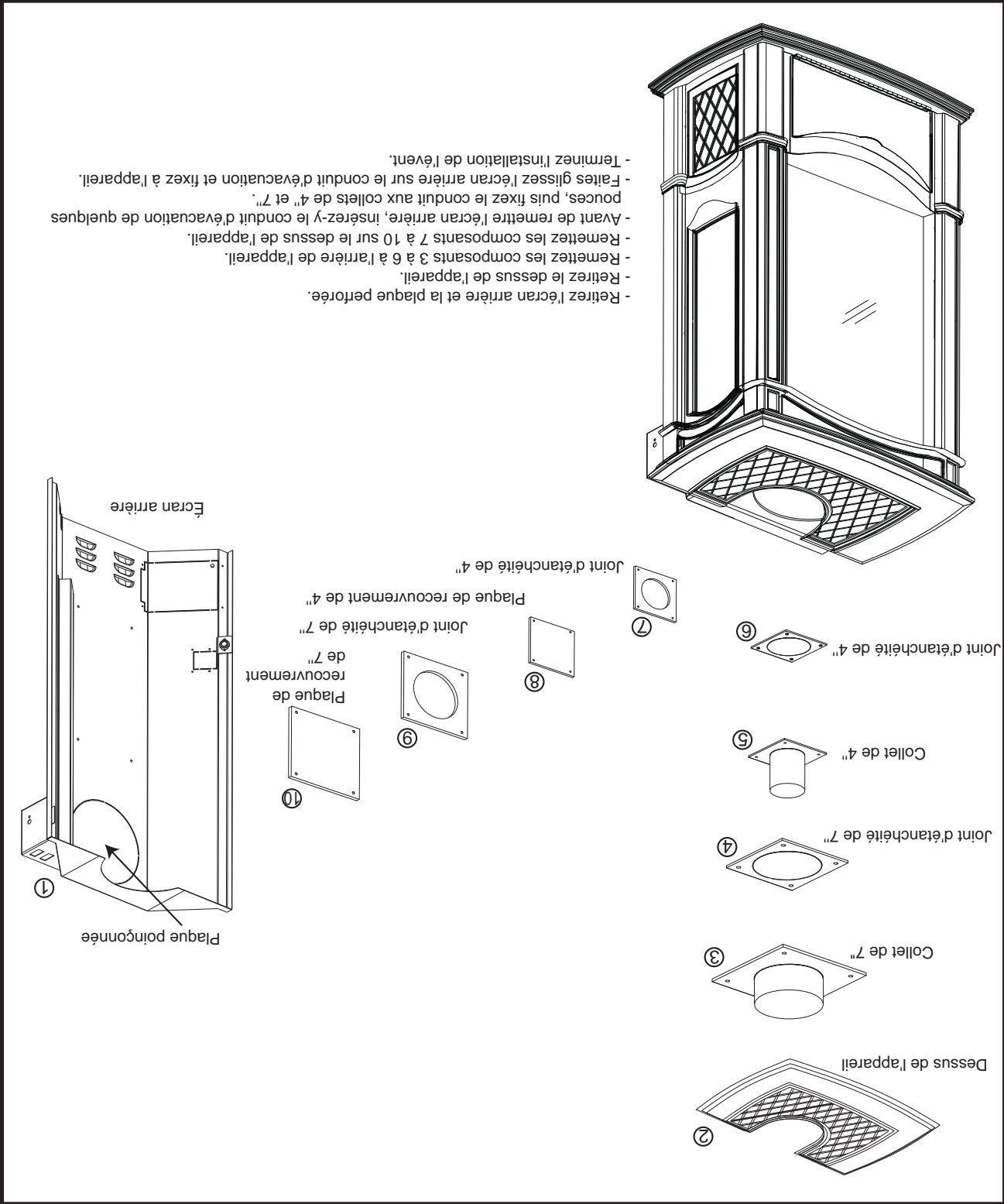
70.1

Pour les dégagements du conduit d'évent aux matériaux combustibles, voir la section « OSSATURE ».

Pour une performance optimale de l'appareil, toutes les courses horizontales devraient avoir une élévation minimale de 1" par pied lorsque vous utilisez des composants rigides/flexibles d'évacuation Wolf Steel, Simpson Dura-Vent, Selkirk Direct Temp ou American Metal Amerivent.

### 3.12 CONVERSION EN ÉVACUATION À L'ARRIÈRE

Afin de convertir le système d'évent à évacuation sur le dessus de l'appareil, retirez les composants comme illustré : Lors de la réinstallation à la position alternative, inspectez les joints d'étanchéité pour des déchirures, remplacez-les si nécessaire pour assurer une bonne étanchéité.



**AVERTISSEMENT**

**RISQUE D'INCENDIE!**

**LES CONFIGURATIONS D'ÉVACUATION COAXIALES À COLINÉAIRES NE DOIVENT ÊTRE UTILISÉES QUE DANS UNE CHEMINÉE OU UNE ENCEINTE DE NATURE INCOMBUSTIBLE. UNE INSTALLATION DANS UNE ENCEINTE COMBUSTIBLE PEUT CAUSER UN INCENDIE.**

Cet appareil est conçu pour être raccordé à un système d'évent flexible colinéaire de 3" en aluminium se prolongeant sur toute la longueur de la cheminée de maçonnerie.

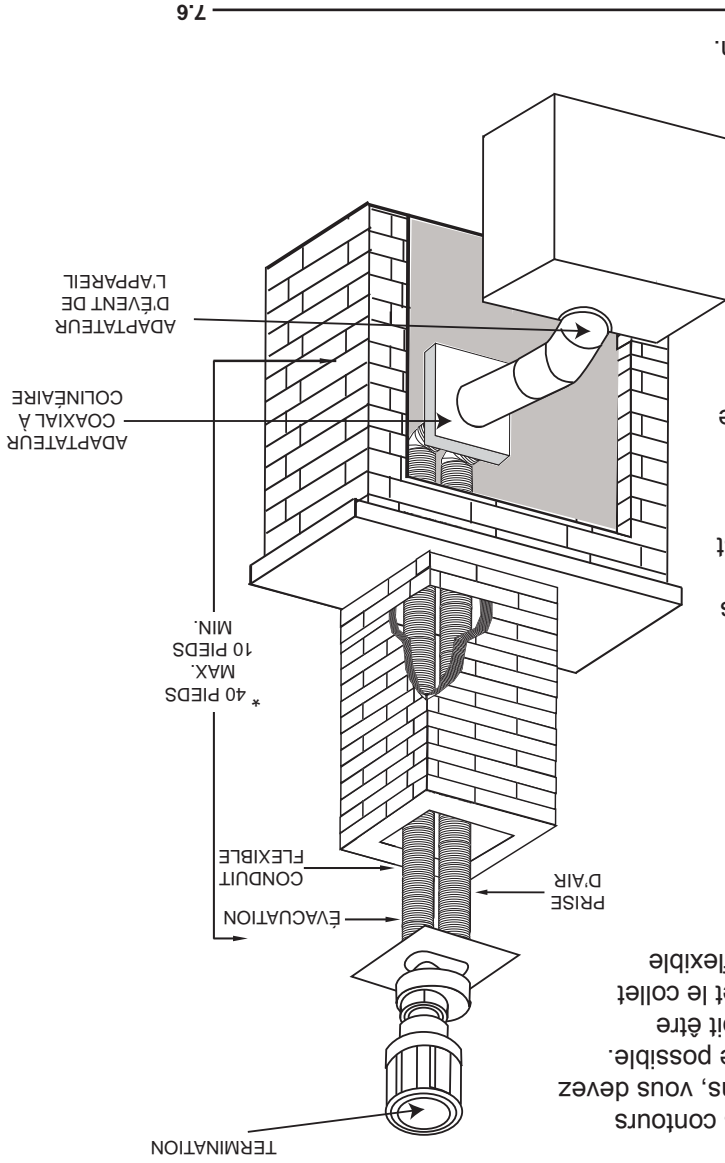
Les conduits flexibles s'adaptent à tous les contours d'une cheminée de maçonnerie. Néanmoins, vous devez garder les conduits flexibles aussi droit que possible. Le collet de prise d'air de la terminaison doit être raccordé au conduit flexible de prise d'air et le collet d'évacuation de la terminaison au conduit flexible d'évacuation.

Les adaptateurs colinéaire à coaxial Simpson Duravent et Selkirk sont approuvés pour cet appareil (**NOTE**)  
**Un adaptateur d'évent sera nécessaire**  
**directement à partir de l'appareil.**  
 Suivez les instructions d'installation du fabricant du système d'évacuation.

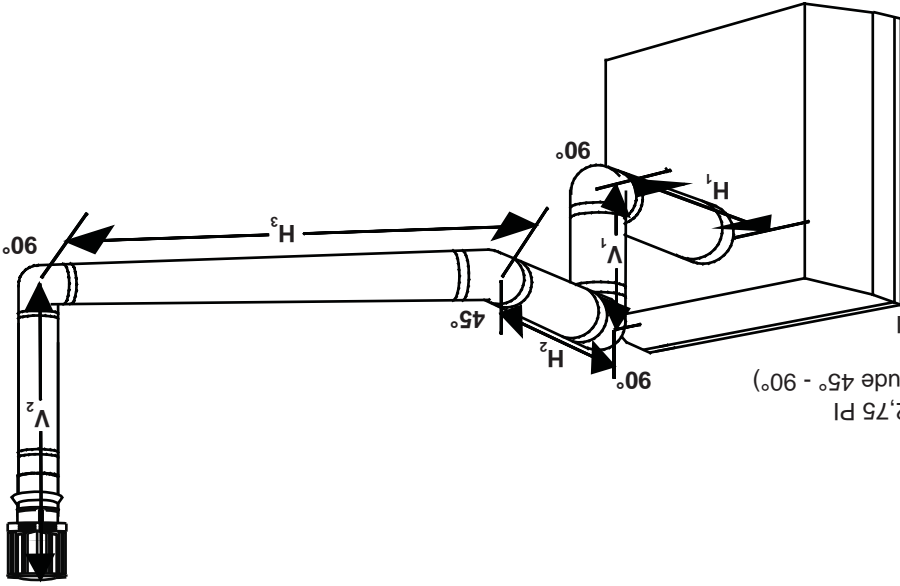
Des composants d'évacuation de différents fabricants ne doivent pas être combinés. Une fois que l'adaptateur de votre choix est installé, le reste du système d'évacuation doit provenir du même fabricant.

La seule exception à cette règle est l'usage du système de conduit flexible de 3" et de terminaison colinéaire Wolf Steel.

\* Mesurée à partir de la buse de l'appareil jusqu'au collet de la terminaison.



7.6



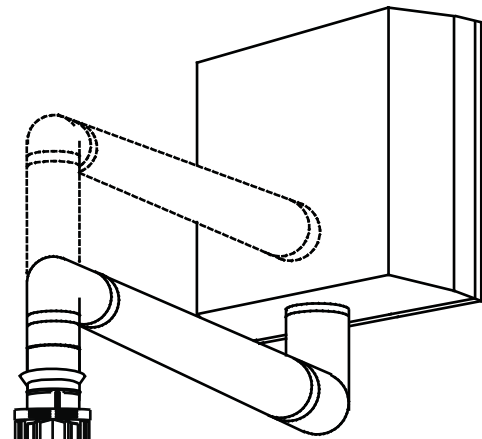
**Exemple :**  
 $V_1 = 1,5 \text{ Pl}$   
 $V_2 = 5 \text{ Pl}$   
 $V_T = V_1 + V_2 = 1,5 + 1 + 5 = 6,5 \text{ Pl}$   
 $H_1 = 1 \text{ Pl}$   
 $H_2 = 1 \text{ Pl}$   
 $H_3 = 10,75 \text{ Pl}$   
 $H_R = H_1 + H_2 + H_3 = 1 + 1 + 10,75 = 12,75 \text{ Pl}$   
 $H_0 = 0,03 \text{ (quatre coudes } 90^\circ + \text{ un coude } 45^\circ - 90^\circ) = 6,75 \text{ Pl}$   
 $H_T = H_R + H_0 = 12,75 + 6,75 = 19,5 \text{ Pl}$   
 $H_T + V_T = 19,5 + 6,5 = 26 \text{ Pl}$

**Formule 1 :**  
 $H_T \leq 3 V_T$   
 $3 V_T = 3 \times 6,5 = 19,5 \text{ Pl}$   
 $19,5 = 19,5$

**Formule 2 :**  
 $H_T + V_T \leq 40 \text{ Pl}$   
 $26 \leq 40$

Puisque les deux formules sont respectées, cette configuration d'évacuation est acceptable. 18.2.3

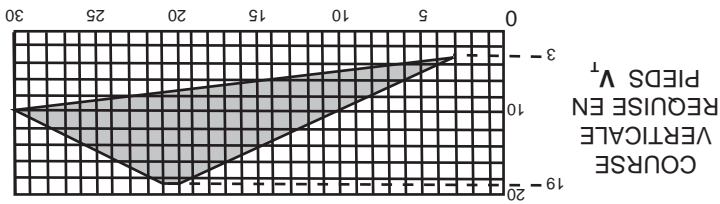
$(H^T) < (V^T)$



Configurations d'évacuation simples.

La section ombragée à l'intérieur des lignes représente des valeurs acceptables pour  $H^T$  et  $V^T$

LONGUEUR DES COURSES HORIZONTALES PLUS LES DÉVIATIONS EN PIEDS  $H^T$



Consultez le graphique pour déterminer la course verticale nécessaire  $V^T$  par rapport à la course horizontale requise  $H^T$ .

Lorsque les configurations de l'évacuation exigent plus que zéro coude de 90° (évacuation sur le dessus) ou un coude de 90° (évacuation à l'arrière), les formules suivantes s'appliquent :

Formule 1 :  $H^T \leq 3 V^T$   
 Formule 2 :  $H^T + V^T \leq 40$  pieds

Exemple :

$V^1 = 2$  Pl  
 $V^2 = 1$  Pl  
 $V^3 = 1,5$  Pl  
 $V^T = V^1 + V^2 + V^3 = 2 + 1 + 1,5 = 4,5$  Pl  
 $H^1 = 6$  Pl  
 $H^2 = 2$  Pl  
 $H^R = H^1 + H^2 = 6 + 2 = 8$  Pl  
 $H^O = 0,03$  (quatre coudes  $90^\circ - 90^\circ$ )  
 $= 0,03$  (360° - 90°) = 8,1 Pl  
 $H^T = H^R + H^O = 8 + 8,1 = 16,1$  Pl  
 $H^T + V^T = 16,1 + 4,5 = 20,6$  Pl

Formule 1 :  $H^T \leq 3V^T$   
 $3V^T = 3 \times 4,5 = 13,5$  Pl  
 $16,1 > 13,5$

Puisque cette formule n'est pas respectée, cette configuration d'évacuation est **inacceptable**.

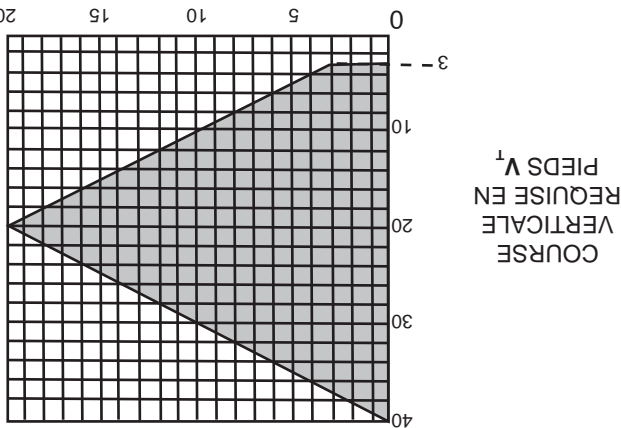
Formule 2 :  $H^T + V^T \leq 40$  Pl  
 $20,6 \leq 40$

Puisque seulement la formule 2 est respectée, cette configuration est inacceptable et l'on devra trouver un autre endroit pour installer l'appareil ou trouver une configuration d'évacuation qui pourra respecter les deux formules.

### 3.10 ÉVACUATION SUR LE DESSUS OU À L'ARRIÈRE - TERMINAISON VERTICALE

$$(H_T) \leq (V_T)$$

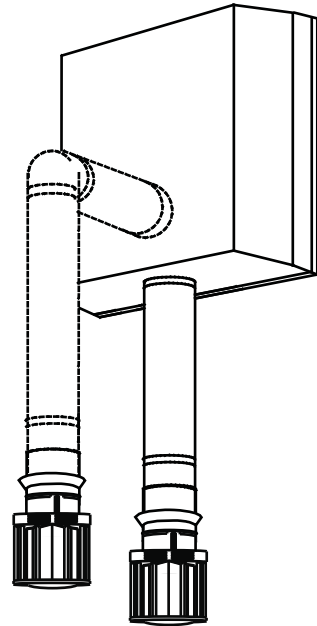
Consultez le graphique pour déterminer la course verticale requise  $V_T$  par rapport à la course horizontale requise  $H_T$ .



LONGUEUR DES COURSES HORIZONTALES PLUS LES DÉVIATIONS EN PIEDS  $H_T$

La section ombragée à l'intérieur des lignes représente des valeurs acceptables pour  $H_T$  et  $V_T$

Configurations d'évacuation simples.



Lorsque les configurations de l'évacuation exigent plus que zéro coude de 90° (évacuation sur le dessus) ou un coude de 90° (évacuation à l'arrière), les formules suivantes s'appliquent :

$$\text{Formule 1 : } H_T \leq V_T$$

$$\text{Formule 2 : } H_T + V_T \leq 40 \text{ pieds}$$

Exemple :

$$V_1 = 5 \text{ Pl}$$

$$V_2 = 6 \text{ Pl}$$

$$V_3 = 10 \text{ Pl}$$

$$V_T = V_1 + V_2 + V_3 = 5 + 6 + 10 = 21 \text{ Pl}$$

$$H_1 = 8 \text{ Pl}$$

$$H_2 = 2,5 \text{ Pl}$$

$$H_R = H_1 + H_2 = 8 + 2,5 = 10,5 \text{ Pl}$$

$$H_O = 0,03 \text{ (quatre coudes } 90^\circ - 90^\circ) = 0,03 \text{ (} 360^\circ - 90^\circ) = 8,1 \text{ Pl}$$

$$H_T = H_R + H_O = 10,5 + 8,1 = 18,6 \text{ Pl}$$

$$H_T + V_T = 18,6 + 21 = 39,6 \text{ Pl}$$

$$\text{Formule 1 : } H_T \leq V_T$$

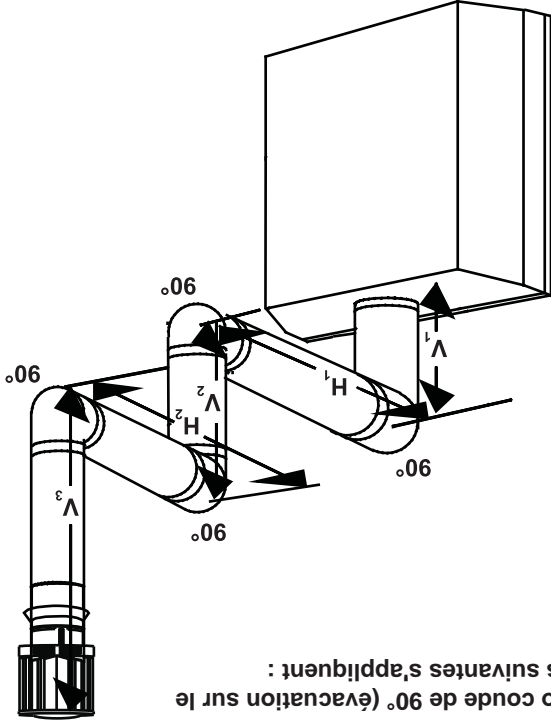
$$18,6 \leq 21$$

$$\text{Formule 2 : } H_T + V_T \leq 40 \text{ Pl}$$

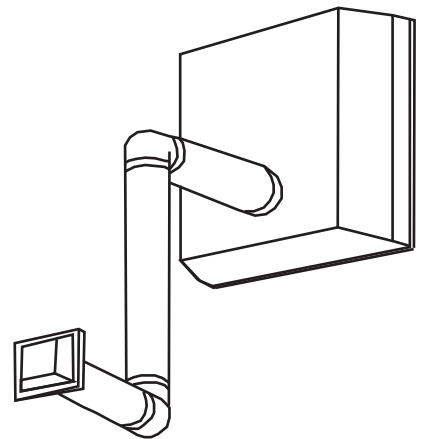
$$39,6 \leq 40$$

Puisque les deux formules sont respectées, cette configuration d'évacuation est acceptable.

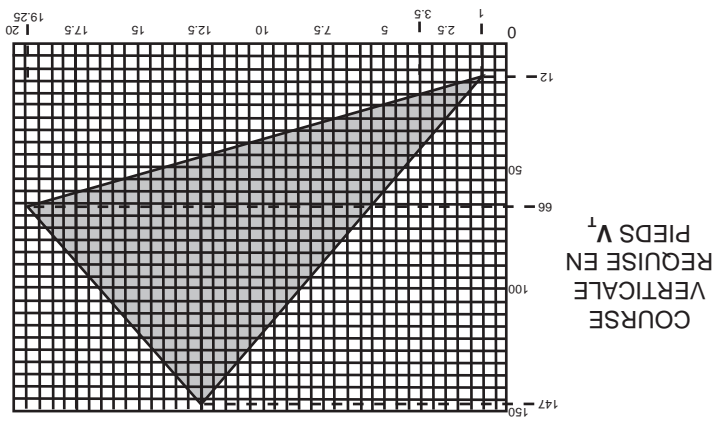
18.2







Configuration d'évacuation simple (deux coudes de 90° seulement)



Consultez le graphique pour déterminer la course verticale nécessaire  $V_T$  par rapport à la course horizontale requise  $H_T$ .

La section ombragée à l'intérieur des lignes représente des valeurs acceptables pour  $H_T$  et  $V_T$

$$(H_T) < (V_T)$$

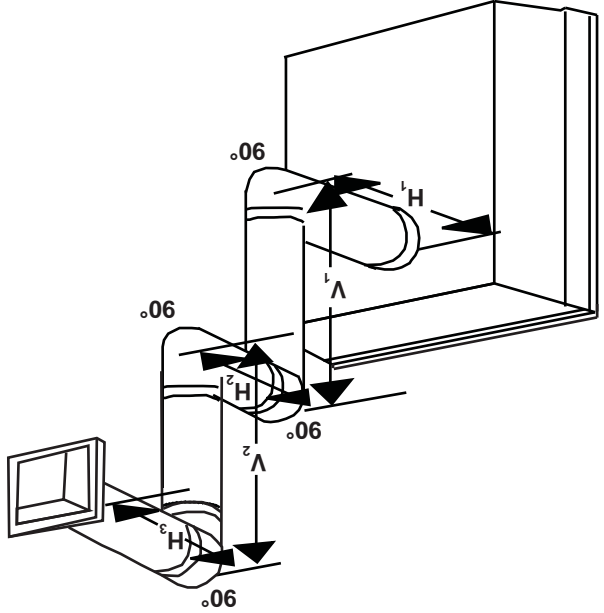
Formule 1 :  $H_T \leq 3,5V_T$   
 Formule 2 :  $H_T + V_T \leq 24,75$  pieds

Exemple :  
 $V_1 = 4$  Pl  
 $V_2 = 1,5$  Pl  
 $V_T = V_1 + V_2 = 4 + 1,5 = 5,5$  Pl  
 $H_1 = 2$  Pl  
 $H_2 = 1$  Pl  
 $H_3 = 1$  Pl  
 $H_4 = 1,5$  Pl  
 $H_R = H_1 + H_2 + H_3 + H_4 = 2 + 1 + 1 + 1,5 = 5,5$  Pl  
 $H_O = 0,03$  (quatre coudes 90° + un coude 45° - 90°) = 0,03 (90 + 90 + 90 + 90 + 45 - 90) = 9,45 Pl  
 $H_T = H_R + H_O = 5,5 + 9,45 = 14,95$  Pl  
 $H_T + V_T = 14,95 + 5,5 = 20,45$  Pl

Formule 1 :  $H_T \leq 3,5V_T$   
 $3,5V_T = 3,5 \times 5,5 = 19,25$  Pl  
 $14,95 \leq 19,25$   
 Formule 2 :  $H_T + V_T \leq 24,75$  Pl  
 $20,45 \leq 24,75$

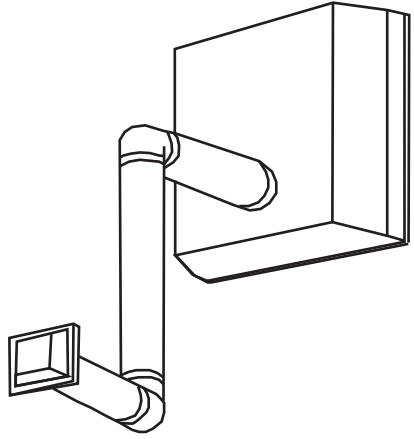
Puisque les deux formules sont respectées, cette configuration d'évacuation est acceptable.

16.3.2A

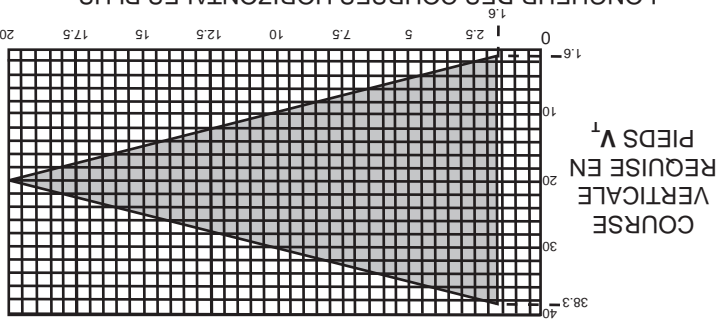


$$(H^T) \leq (V^T)$$

**Configuration d'évacuation simple**  
(deux coudes de 90° seulement)



Consultez le graphique pour déterminer la course verticale requise  $V^T$  par rapport à la course horizontale requise  $H^T$ .



La section ombragée à l'intérieur des lignes représente des valeurs acceptables pour  $H^T$  et  $V^T$

Lorsque la configuration de l'évacuation exige plus qu'un coude de 90°, les formules suivantes s'appliquent :

Formule 1 :  $H^T \leq V^T$   
Formule 2 :  $H^T + V^T \leq 40$  pieds

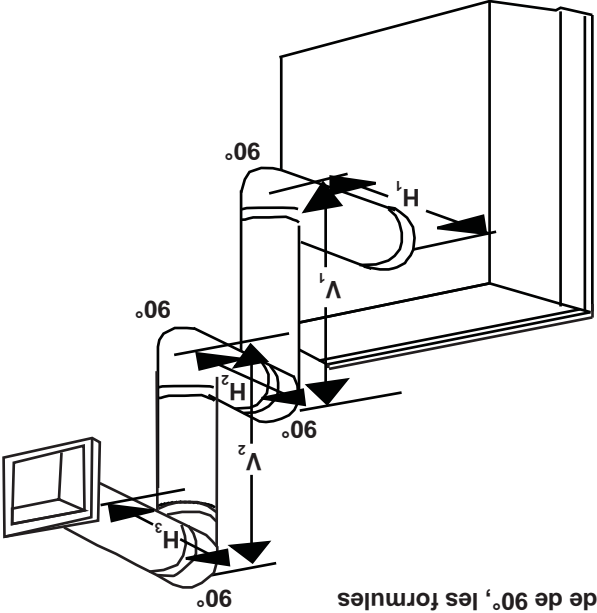
Exemple :

$V^T = 9$  Pl  
 $V^T = 6$  Pl  
 $V^T = V^1 + V^2 = 9 + 6 = 15$  Pl  
 $H^T = 3$  Pl  
 $H^T = 2$  Pl  
 $H^T = 1,5$  Pl  
 $H^T = H^1 + H^2 + H^3 = 3 + 2 + 1,5 = 6,5$  Pl  
 $H^T = H^R + H^O = 6,5 + 8,1 = 14,6$  Pl  
 $H^T + V^T = 14,6 + 15 = 29,6$  Pl  
 $H^O = 0,03$  (quatre coudes  $90^\circ - 90^\circ = 0,03$  ( $360^\circ - 90^\circ$ ) =  $8,1$  Pl)

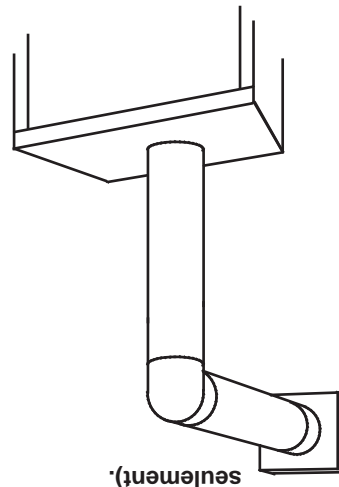
Formule 1 :  $H^T \leq V^T$   
Formule 2 :  $H^T + V^T \leq 40$  Pl

Puisque les deux formules sont respectées, cette configuration d'évacuation est acceptable.

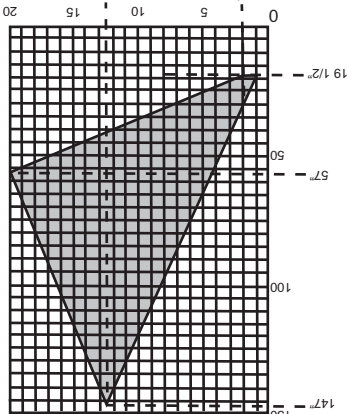
16.3



$$(H^T) < (V^T)$$



Configuration d'évacuation simple (un coude de 90° seulement).  
Consultez le graphique pour déterminer la course verticale nécessaire  $V^T$  par rapport à la course horizontale requise  $H^T$ .



LONGUEUR DES COURSES HORIZONTALES PLUS LES DÉVIATIONS EN PIEDS  $H^T$

La section ombragée à l'intérieur des lignes représente des valeurs acceptables pour  $H^T$  et  $V^T$ .

Lorsque la configuration de l'évacuation exige plus d'un coude de 90°, les formules suivantes s'appliquent :

Formule 1 :  $H^T \leq 4,2 V^T$   
Formule 2 :  $H^T + V^T \leq 24,75$  pieds

Exemple :

$$V^T = V^T = 6 \text{ Pl}$$

$$H^T = 3 \text{ Pl}$$

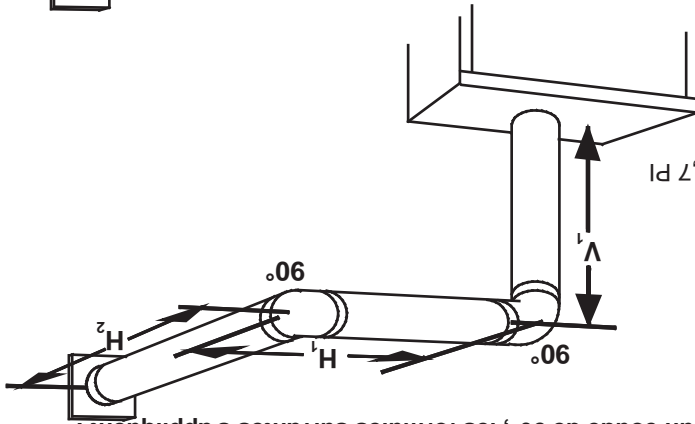
$$H^T = 5 \text{ Pl}$$

$$H^T = H^T + H^T = 3 + 5 = 8 \text{ Pl}$$

$$H^T = H^T + H^T = 8 + 2,7 = 10,7 \text{ Pl}$$

$$H^T + V^T = 10,7 + 6 = 16,7 \text{ Pl}$$

Formule 1 :  $H^T \leq 4,2 V^T$   
Formule 2 :  $H^T + V^T \leq 24,75$  Pl



Formule 2 :  $H^T + V^T \leq 24,75$  Pl

Puisque les deux formules sont respectées, cette configuration d'évacuation est acceptable.

Exemple :

$$V^T = 4 \text{ Pl}$$

$$V^T = 1,5 \text{ Pl}$$

$$V^T = V^T + V^T = 4 + 1,5 = 5,5 \text{ Pl}$$

$$H^T = 2 \text{ Pl}$$

$$H^T = 1 \text{ Pl}$$

$$H^T = 1 \text{ Pl}$$

$$H^T = 3 \text{ Pl}$$

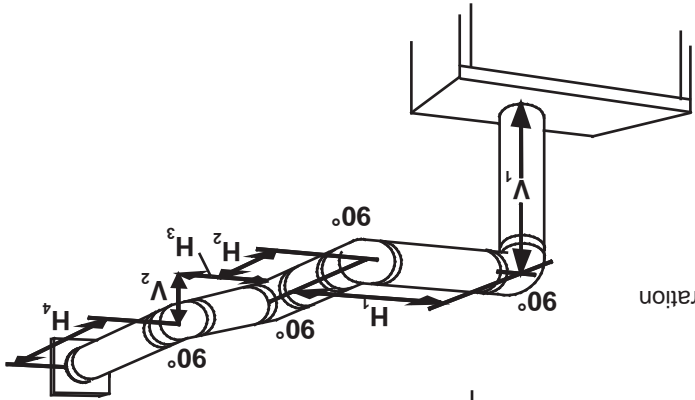
$$H^T = 1,5 \text{ Pl}$$

$$H^T = H^T + H^T + H^T + H^T = 2 + 1 + 1 + 1,5 = 5,5 \text{ Pl}$$

$$H^T = H^T + H^T = 5,5 + 8,1 = 13,6 \text{ Pl}$$

$$H^T + V^T = 13,6 + 5,5 = 19,1 \text{ Pl}$$

Formule 1 :  $H^T \leq 4,2 V^T$   
Formule 2 :  $H^T + V^T \leq 24,75$  Pl



Formule 2 :  $H^T + V^T \leq 24,75$  Pl

Puisque les deux formules sont respectées, cette configuration d'évacuation est acceptable.

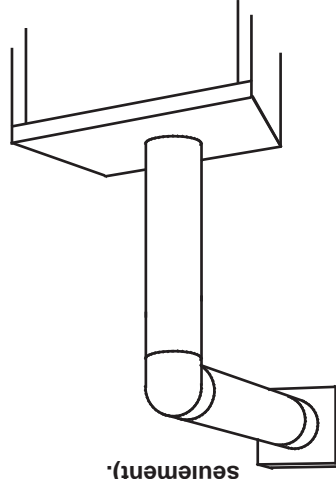
3.7 VALEUR DU COUDE EN LONGUEUR D'EVENT

PIEDS POUCES	
1°	0,03
15°	0,45
30°	0,9
45°	1,35
90°*	2,7
	32,0

\* La première déviation de 90° a une valeur zéro et est illustrée dans la formule comme - 90°

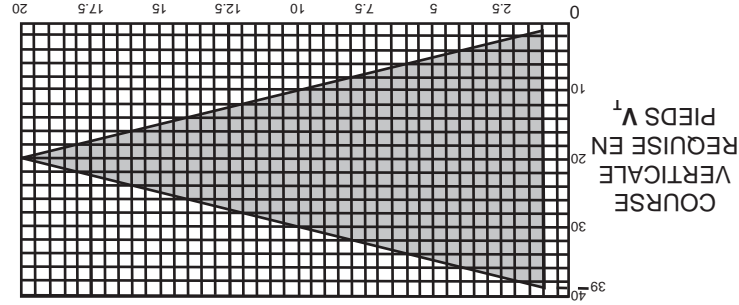
3.8 EVACUATION SUR LE DESSUS - TERMINAISON HORIZONTALE

$$(H_1) \leq (V_1)$$



Configuration d'évacuation simple (un coude de 90°

Consultez le graphique pour déterminer la course verticale nécessaire  $V_1$  par rapport à la course horizontale requise  $H_1$ .



LONGUEUR DES COURSES HORIZONTALES PLUS LES DEVIATIONS EN PIEDS  $H_1$

La section ombragée à l'intérieur des lignes représente des valeurs acceptables pour  $H_1$  et  $V_1$ .

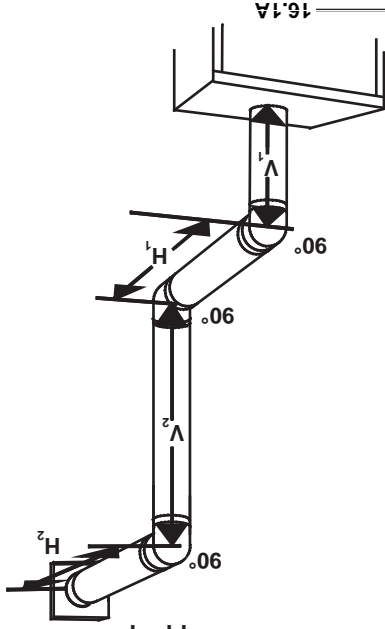
Formule 1 :  $H_1 \leq V_1$   
 Formule 2 :  $H_1 + V_1 \leq 40$  pieds

Exemple :

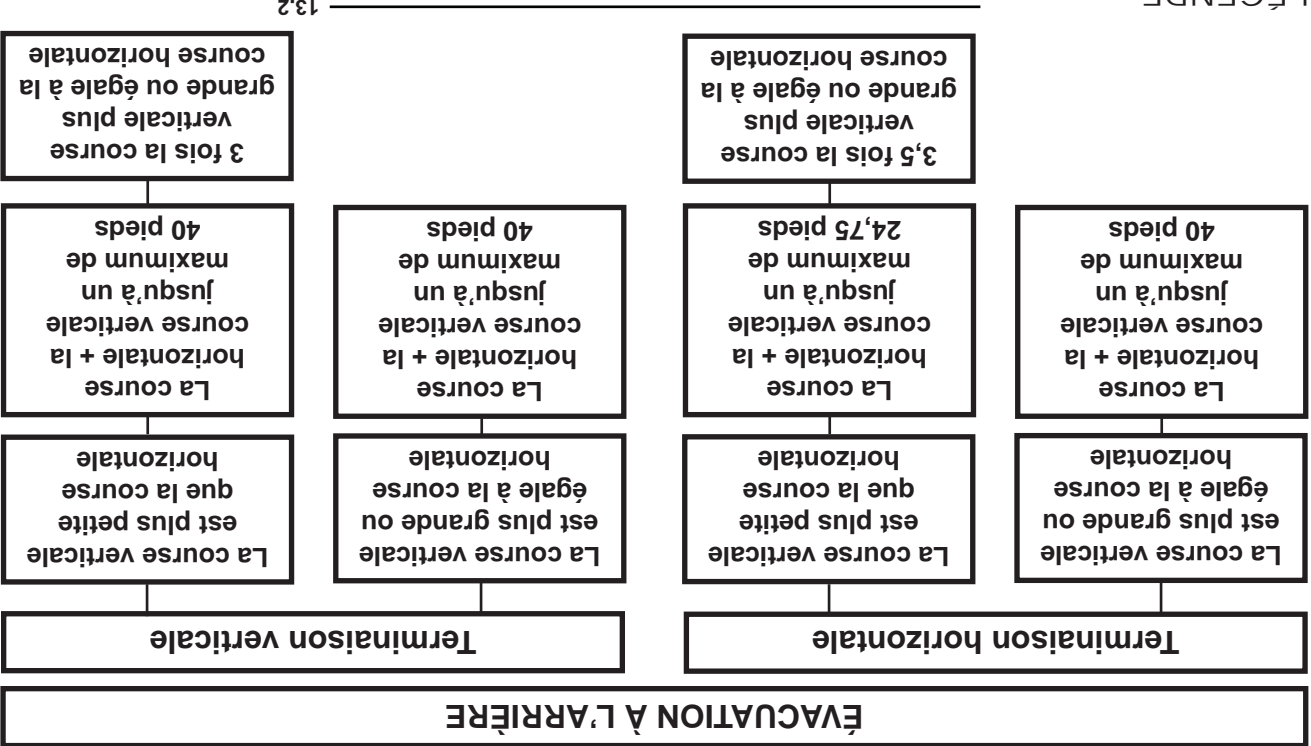
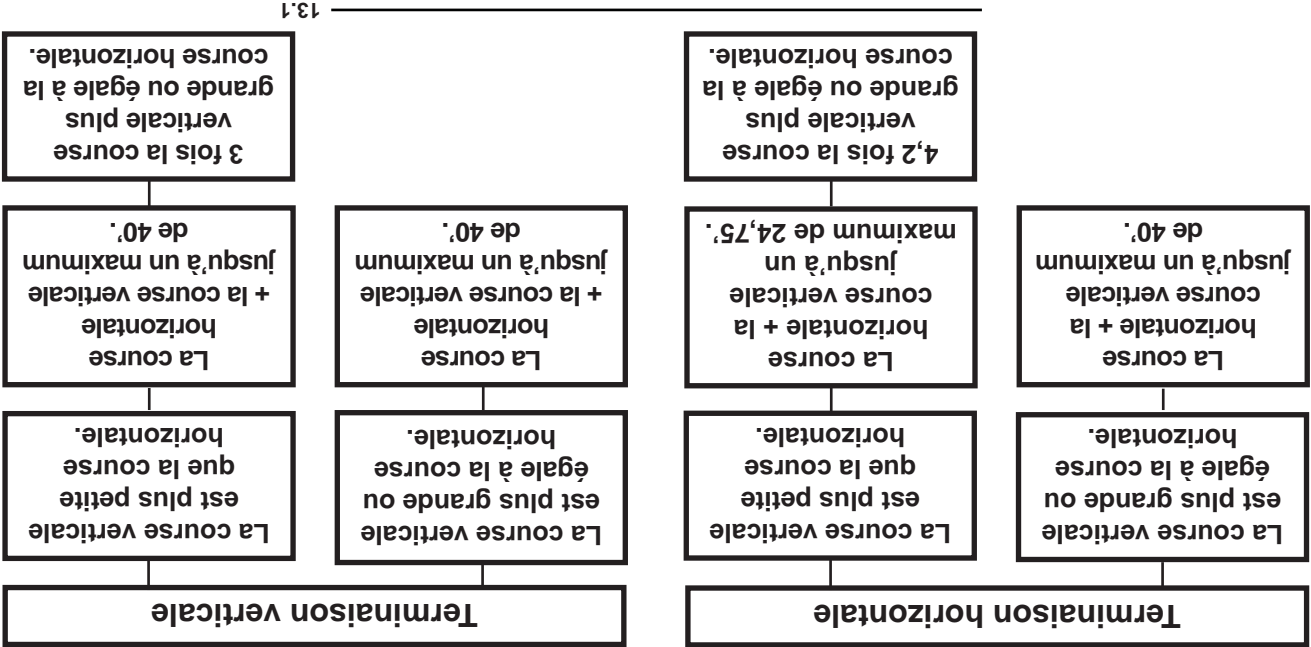
$V_1 = 3$  Pl  
 $V_2 = 8$  Pl  
 $V_1 + V_2 = 3 + 8 = 11$  Pl  
 $H_1 = 2,5$  Pl  
 $H_2 = 2$  Pl  
 $H_1 + H_2 = 2,5 + 2 = 4,5$  Pl  
 $H_0 = 0,03$  (trois coudes 90° - 90°) =  $0,03 (270° - 90°) = 5,4$  Pl  
 $H_1 + H_0 = 4,5 + 5,4 = 9,9$  Pl  
 $H_1 + V_1 = 9,9 + 11 = 20,9$  Pl

Puisque les deux formules sont respectées, cette configuration d'évacuation est acceptable.

Formule 1 :  $H_1 \leq V_1$   
 $9,9 \leq 11$   
 Formule 2 :  $H_1 + V_1 \leq 40$  Pl  
 $20,9 \leq 40$



**ÉVACUATION SUR LE DESSUS**



3.6 LÉGENDE

Les symboles suivants sont utilisés dans le calcul et les exemples d'évacuation :

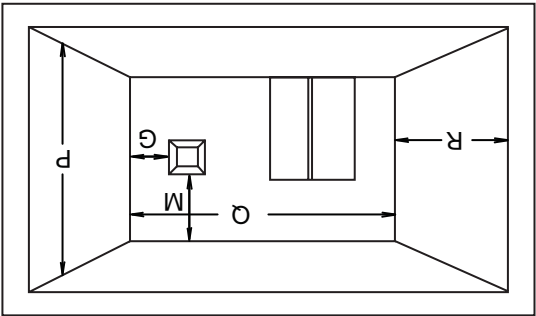
- < - plus grand que
- ≥ - plus grand ou égal à
- > - plus petit que
- ≤ - plus petit ou égal à

- $H_T$  - total de la longueur des courses horizontales ( $H_r$ ) et des déviations ( $H_o$ ) en pieds
- $H_r$  - longueur des courses horizontales combinées en pieds
- $H_o$  - facteur de la valeur d'une déviation : 0,03 (du total des degrés de déviation - 90°\*) en pieds
- $V_o$  - longueur des courses verticales combinées en pieds

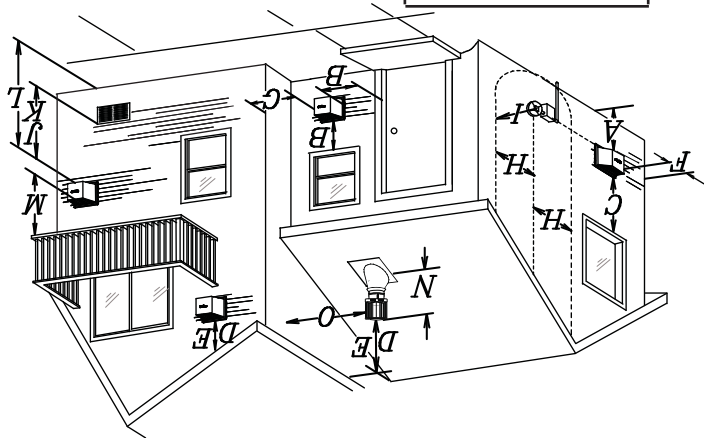
14.1

3.4 EMBLACEMENTS ET DÉGAGEMENTS MINIMAUX DE LA TERMINAISON

APPLICATIONS POUR BALCON COUVERT



$R_{MAX} = 2 \times \varnothing_{RÉELLE}$
$\varnothing_{MIN} = 3 \text{ pieds}$
$R_{MAX} \leq 15 \text{ pieds}$



INSTALLATION	
CANADA	E.-U.

A	12"	12"	Dégagement au-dessus du sol, d'une véranda, d'une terrasse en bois ou d'un balcon.
B	12" $\Delta$	9" $\Delta$	Dégagement des fenêtres ou des portes qui ouvrent.
C	12" *	12" *	Dégagement des fenêtres fermées en permanence.
D	18" **	18" **	Dégagement vertical d'un soffite ventilé situé au-dessus de la terminaison si la distance horizontale est de moins de 2' de la ligne médiane de la terminaison.
E	18" **	18" **	Dégagement d'un soffite non ventilé.
F	0"	0"	Dégagement des murs faisant coin extérieur.
G	0" ***	0" ***	Dégagement des murs extérieurs incombustibles faisant coin intérieur ou aux obstructions incombustibles (cheminée, etc.).
	2" ***	2" ***	Dégagement des murs extérieurs combustibles faisant coin intérieur ou aux obstructions combustibles (habillage extérieur, etc.).
H	3' ****	3' ****	Dégagement horizontal de chaque côté depuis la ligne verticale tirée du centre d'un ensemble de régulateur/compteur pour une distance verticale maximale de 15'.
I	3' ****	3' ****	Dégagement de l'évent du régulateur.
J	12"	9"	Dégagement d'une prise d'air de ventilation non mécanique de la maison ou d'une prise d'air de combustion de tout autre appareil.
K	6'	3' †	Dégagement d'une prise d'air mécanique.
L	7' ‡	7' ****	Dégagement au-dessus d'un trottoir ou d'une entrée pavée situés sur une propriété publique.
M	12" ††	12" ****	Dégagement sous une véranda, une terrasse en bois ou un balcon.
N	16"	16"	Dégagement au-dessus du toit.
O	2' †*	2' †*	Dégagement des murs adjacents, incluant les maisons voisines.
P	8'	8'	Le toit doit être incombustible et sans ouvertures.
Q	3'	3'	Voir le tableau pour les dimensions d'un mur plus large
R	6'	6'	Voir le tableau pour les dimensions d'un mur plus profond. La terminaison ne doit pas être installée sur quelconque mur ayant une ouverture entre la terminaison et le côté ouvert de la structure.

$\Delta$  Pour les structures comportant trois murs et un toit, la terminaison doit être située à plus de 6 pieds sous une fenêtre s'ouvrant sur un plan horizontal.

\* Recommandé afin de prévenir la formation de buée dans les fenêtres et les cassures thermiques.

\*\* Il est recommandé d'utiliser un protecteur de chaleur et de maximiser la distance au soffite de plastique.

\*\*\* L'ensemble périscopique requiert un dégagement minimal de 18 pouces d'un mur extérieur faisant coin intérieur.

\*\*\*\* Ceci est une distance recommandée. Vérifiez les codes locaux pour connaître les contraintes additionnelles.

† Trois pieds au-dessus si la distance horizontale est de moins de 10 pieds.

‡ Une terminaison d'évacuation ne doit pas être installée à un endroit où elle pourrait causer une formation dangereuse de givre ou de glace sur les surfaces d'une propriété adjacente.

†† Permis seulement si la terrasse en bois sont complètement ouverts sur un minimum de deux côtés sous le plancher.

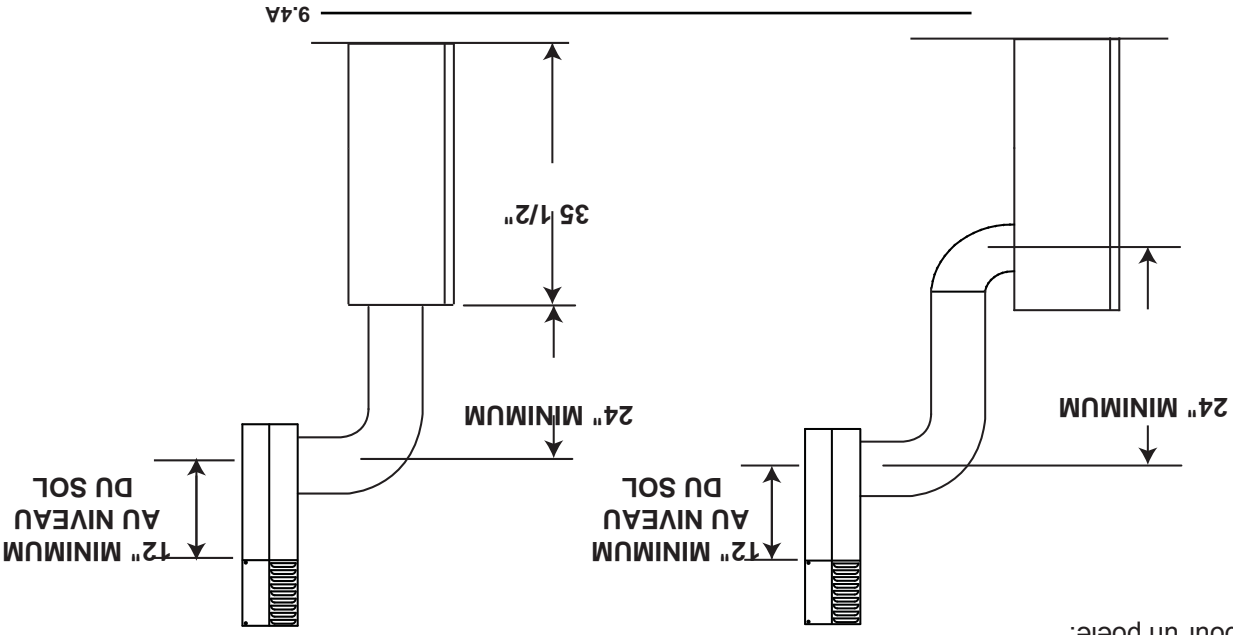
††† Recommandé afin d'éviter la recirculation des produits d'échappement. Vérifiez les codes locaux pour connaître les contraintes additionnelles.

**NOTE :** Les dégagements sont en conformité avec les codes d'installation locaux et les exigences du fournisseur de gaz.

3.3 INSTALLATIONS PARTICULIÈRES D'ÉVENTS

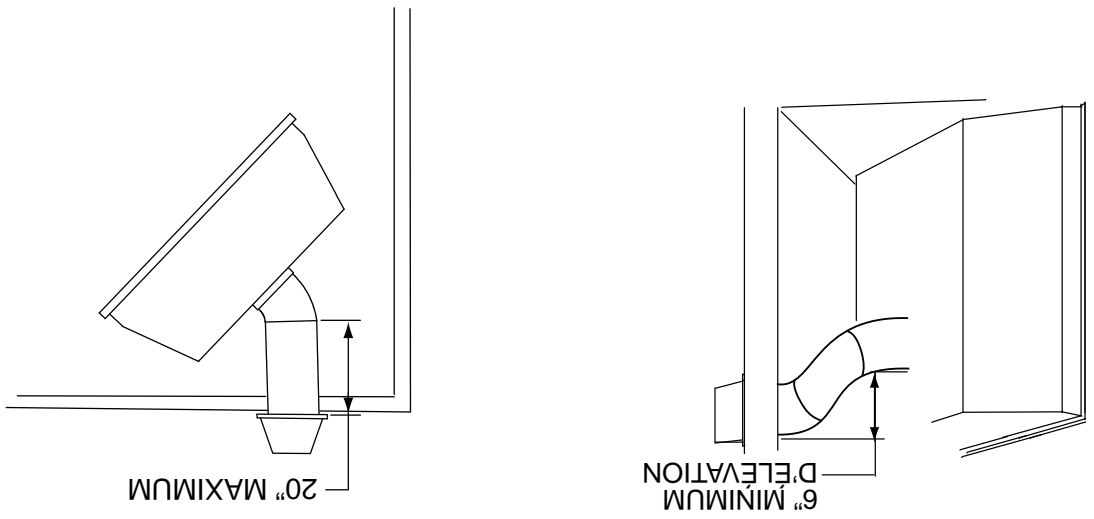
3.3.1 ENSEMBLE PÉRISCOPE

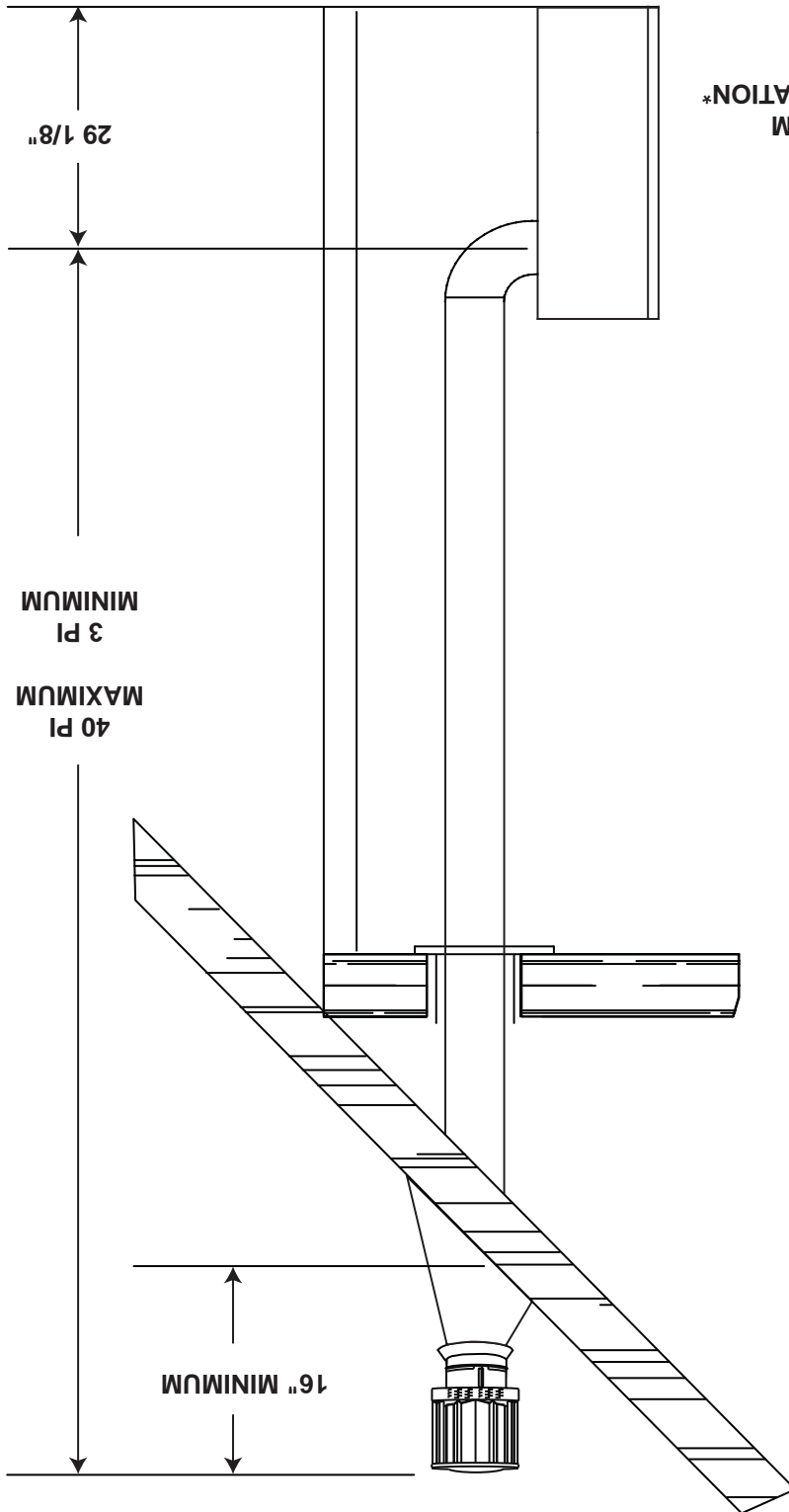
Utilisez l'ensemble périscopique afin de positionner la terminaison au-dessus du niveau du sol. L'ensemble périscopique doit être installé de façon à ce que la fente d'air du bas soit située à un minimum de 12 pouces au-dessus du niveau du sol. La longueur maximale permise de l'évent est de 10 pieds pour un foyer et 8 pieds pour un poêle.



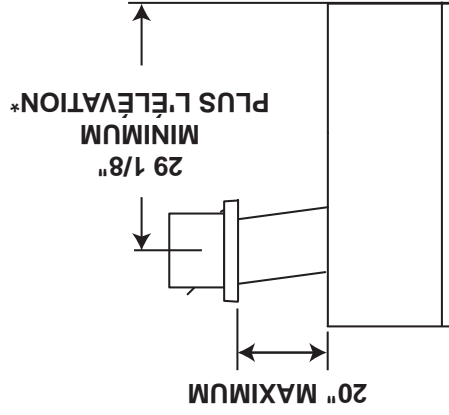
3.3.2 INSTALLATION EN COIN

Lorsque l'évent est installé en coin, la longueur maximale du conduit d'évacuation est de 20 pouces de course horizontale, en plus de la déviation de 45°. Dans ce cas, une pente de zéro pouce est acceptable. Voir l'illustration ci-dessous. Nous vous conseillons de conserver une pente ascendante de 6".



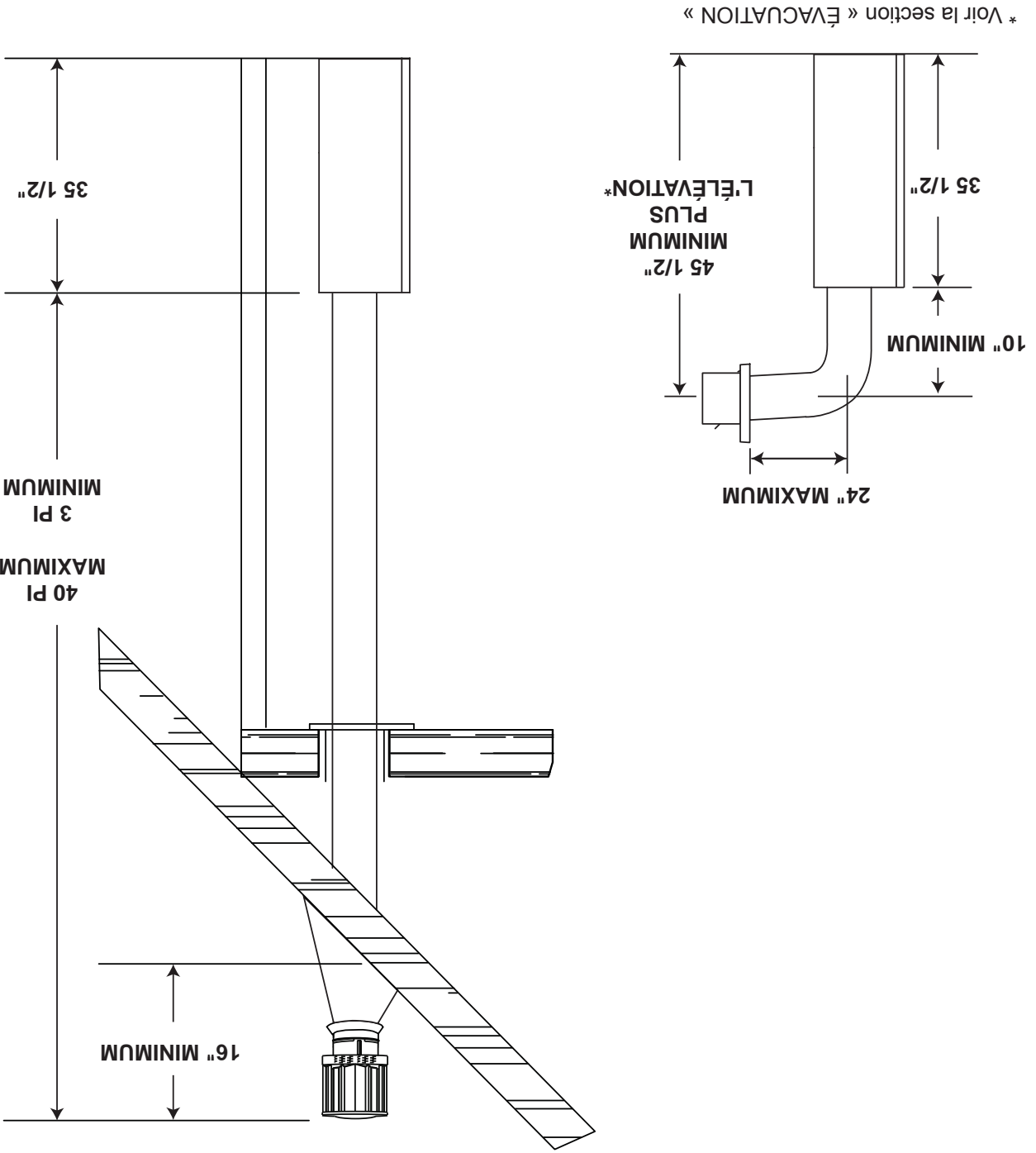


\* Voir la section « EVACUATION »





3.2 INSTALLATIONS TYPQUES D'ÉVENTS



LONGUEURS DES CONDUITS D'ÉVACUATION ET DES COMPOSANTS

Utilisez seulement des composants d'évacuation Wolf Steel, Simpson Dura-Vent, Selkirk Direct Temp, American Metal Amerivent ou Metal-Fab. Les minimums et maximums des longueurs d'évent, pour les installations verticales et horizontales, et les emplacements des terminaisons pour les systèmes sont précisés dans ce manuel et doivent être respectés. Pour le Simpson Dura-Vent, le Selkirk Direct Temp, l'American Metal Amerivent et le Metal-Fab, suivez la procédure d'installation fournie avec les composants d'évacuation.

Un adaptateur de départ est nécessaire et peut être acheté chez le fournisseur correspondant :

<b>PIÈCE</b>	<b>4" / 7"</b>	<b>FABRICANT</b>	<b>SITE WEB</b>
Duravent	GDS924N	Wolf Steel	www.duravent.com
Amerivent	4DSC-N2	American Metal	www.americanmetalproducts.com
Direct Temp	4DT-AAN	Selkirk	www.selkirkcorp.com
SuperSeal	4DNA	Metal-Fab	www.mtffab.com

\*Pour le Simpson Dura-Vent, le Selkirk Direct Temp, l'American Metal Amerivent et le Metal-Fab, suivez la procédure d'installation se trouvant sur le site Internet du fabricant.

Pour les systèmes d'évents dont le conduit intérieur d'évacuation possède déjà des joints scellés, seuls les joints du conduit extérieur de prise d'air doivent être scellés avec un scellant de silicone rouge à haute température (RTV). Ce même scellant peut être utilisé sur les joints des conduits intérieurs et extérieurs de tous les autres systèmes d'évents approuvés à l'exception du raccordement du conduit d'évacuation à la buse de l'appareil qui doit être scellé avec le scellant noir à haute température Mill Pac. Lorsque vous utilisez les composants d'évacuation Wolf Steel, n'utilisez que des composants d'évacuation Wolf Steel conjointement avec les ensembles de terminaison suivants : ensemble de terminaison murale **GD175** (7 1/2" de conduits inclus), ou ensemble de terminaison pour toit de pente 1/12 à 7/12 **GD110**, ensemble de terminaison pour toit de pente 8/12 à 12/12 **GD111**, ensemble de terminaison pour toit plat **GD112** ou ensemble périscopique **GD180** (pour pénétration des murs sous le niveau du sol).

Pour une performance optimale de l'appareil et une apparence optimale des flammes, gardez la longueur des événements et le nombre de coudes au minimum. Toutes les courses horizontales devraient avoir une élévation minimale de 1/4" par pied. La prise d'air de la terminaison extérieure doit demeurer dégagée en tout temps. Vérifiez la prise d'air de la terminaison au moins une fois l'an pour vous assurer qu'elle n'est pas obstruée ni endommagée. Ne combinez pas de composants rigides ou flexibles ni de composants d'évacuation provenant de fabricants différents.

Ces ensembles d'évents permettent soit une évacuation verticale, soit une évacuation horizontale de l'appareil. La course horizontale doit être conservée à un maximum de 20 pieds. La hauteur totale permise pour un événement vertical est de 40 pieds. Lorsque vous utilisez des composants flexibles, le nombre maximal de raccords est de deux horizontalement ou trois verticalement (excluant les raccords à l'appareil et à la section de terminaison).

Un changement à la longueur verticale minimale de l'évacuation pourrait entraîner des problèmes d'allumage du brûleur et/ou des accumulations de carbone. Pour faciliter l'installation, utilisez un tuyau ajustable comme dernière pièce de tuyau rigide à l'appareil.

## ! AVERTISSEMENT

RISQUE D'INCENDIE. CONSERVEZ LES DÉGAGEMENTS NÉCESSAIRES AU CONDUIT D'ÉVENT ET À L'APPAREIL.

SI LE SYSTÈME D'ÉVENT EST FOURNI AVEC DES ESPACEURS, LES COURSES HORIZONTALES ET VERTICALES DU SYSTÈME DOIVENT ÊTRE SUPPORTÉES À TOUTES LES 3 PIEDS. UTILISEZ DES SUPPORTS OU DES ATTACHES INCOMBUSTIBLES ÉQUIVALENTS AFIN DE MAINTENIR LE DÉGAGEMENT AUX MATÉRIAUX COMBUSTIBLES. UTILISEZ L'ENSEMBLE DE SUPPORT MURAL WOLF STEEL W010-0370 OU DES SUPPORTS INCOMBUSTIBLES ÉQUIVALENTS AFIN DE CONSERVER LE DÉGAGEMENT MINIMAL AUX MATÉRIAUX COMBUSTIBLES POUR LES COURSES VERTICALES ET HORIZONTALES. DES ESPACEURS SONT FIXÉS AU CONDUIT INTÉRIEUR À INTÉRVALLS PRÉDÉTERMINÉS AFIN DE GARDER UN ESPACE VIDE AVEC LE CONDUIT EXTÉRIEUR. POUR QUE LE FONCTIONNEMENT SOIT SÉCURITAIRE, UN ESPACE VIDE EST REQUIS. UN ESPACEUR EST REQUIS AU DÉBUT, AU MILIEU ET À LA FIN DE CHAQUE COUDE AFIN DE MAINTENIR CET ESPACE VIDE. N'ENLEVEZ PAS CES ESPACEURS.

**CET APPAREIL UTILISE UN SYSTÈME DE CONDUITS DE 4" POUR L'ÉVACUATION ET DE 7" POUR LA PRISE D'AIR. Veuillez consulter la section qui correspond à votre installation.**

Afin d'assurer un fonctionnement sécuritaire et adéquat de l'appareil, vous devez observer les instructions d'évacuation à la lettre. Un changement à la longueur verticale minimale de l'évacuation pourrait entraîner des problèmes d'allumage du brûleur et/ou des accumulations de carbone. Sous des configurations d'évacuation extrêmes, allouez de 5 à 15 minutes pour que la flamme se stabilise après l'allumage. Prévoyez un moyen d'inspecter visuellement le raccord des événements à l'appareil après que ce dernier a été installé. Utilisez un espaceur coupe-feu, un protecteur de conduit d'évacuation ou un écran thermique de grenier lorsque les murs intérieurs, le plancher ou le plafond sont traversés.

**NOTE :** Si, pour une raison quelconque, le système d'évents de prise d'air est démonté, réinstallez-le selon les instructions fournies dans l'installation initiale.

7-1A



## 2.3

## INFORMATION GÉNÉRALE

**POUR VOTRE SATISFACTION, CET APPAREIL A ÉTÉ MIS À L'ESSAI POUR CONFIRMER SON FONCTIONNEMENT ET SA QUALITÉ!**

Tant que les distances requises pour les dégagements aux matériaux combustibles sont respectées, le meilleur endroit pour un appareil est le centre de la maison, car ceci permet une meilleure utilisation de la chaleur fournie. L'emplacement des fenêtres, des portes et la circulation dans la pièce où se trouve l'appareil devront être pris en considération. Si possible, vous devrez choisir un emplacement où le système d'évent peut passer à travers la maison sans avoir à découper des solives de plancher ou de toit. Si l'appareil est installé directement sur un tapis, sur une surface de vinyle ou tout autre revêtement de plancher combustible autre que le bois, l'appareil devra être monté sur un panneau continu de métal ou de bois se prolongeant sur toute la largeur et la profondeur.

Nous suggérons que nos appareils au gaz soient installés et que l'entretien soit effectué par des professionnels certifiés par le National Fireplace Institute® (NFI) comme spécialiste du gaz NFI.



4.1A

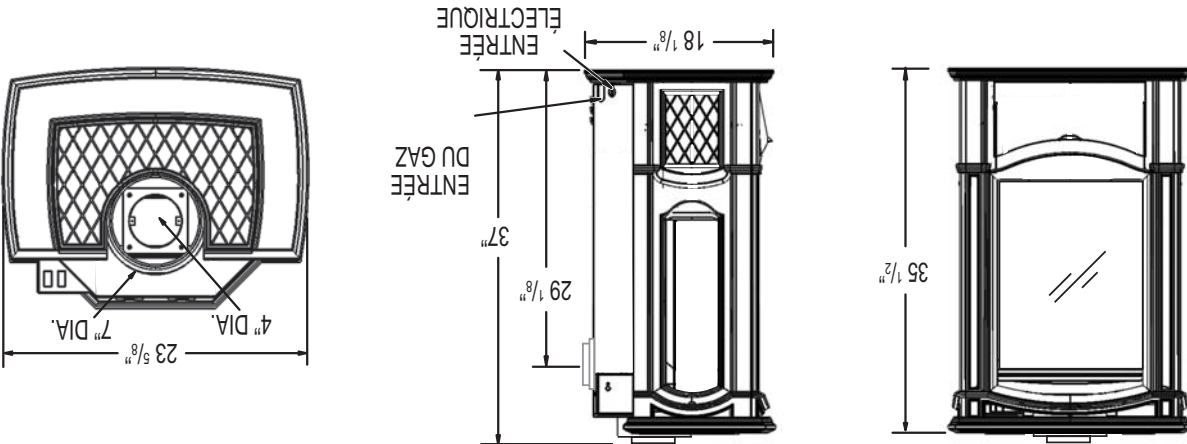
APPAREIL		
	GN	PL
Altitude (PI)	0-4 500	0-4 500
Débit maximum (BTU/H)	25 000	25 000
Rendement maximal à régime continu (BTU/H)	20 500	20 500
Efficacité (souf. allumée)	82 %	82 %
Pression d'arrivée minimale	4,5" de colonne d'eau	11" de colonne d'eau
Pression d'arrivée maximale	7" de colonne d'eau	13" de colonne d'eau
Pression du collecteur lorsque le gaz circule	3,5" de colonne d'eau	10" de colonne d'eau

Les bruits causés par l'expansion et la contraction lors des cycles de chauffage et de refroidissement sont tout à fait normaux et il faut s'y attendre.

Cet appareil ne doit fonctionner qu'avec le type de gaz spécifié sur la plaque d'homologation. Cet appareil ne peut être converti à un autre type de gaz à moins d'utiliser un ensemble de conversion certifié.

N'obstruez jamais l'ouverture sur le devant de l'appareil.

2.1 DIMENSIONS



2.2 INSTRUCTIONS GÉNÉRALES

<b>⚠ AVERTISSEMENT</b>
ALLUMEZ TOUJOURS LA VEILLEUSE, QUE CE SOIT POUR LA PREMIÈRE FOIS OU LORSQUE L'APPROVISIONNEMENT EN GAZ EST ÉPUISÉ, AVEC LA PORTE VITRÉE OUVERTE OU RETIRÉE.
PRÉVENEZ UN ACCÈS SUFFISANT POUR ENTREtenir ET OPÉRER L'APPAREIL. ASSUREZ-VOUS D'UNE QUANTITÉ SUFFISANTE D'AIR DE VENTILATION.
N'OBSTRENEZ JAMAIS L'OUVERTURE DE L'APPAREIL.
LES OBJETS PLACÉS DEVANT L'APPAREIL DOIVENT ÊTRE GARDÉS À UNE DISTANCE D'AU MOINS 48" DE LA FACE VITRÉE DE L'APPAREIL.
LES SURFACES AUTOUR ET SURTOUT AU-DESSUS DE L'APPAREIL PEUVENT DEVENIR CHAUDES. NE TOUCHEZ PAS L'APPAREIL QU'AND IL FONCTIONNE.
RISQUE D'INCENDIE OU D'EXPLOSION.
LES PRESSIONS ÉLEVÉES ENDOMMAGERONT LA SOUPAPE. L'ALIMENTATION EN GAZ DOIT ÊTRE DÉBRANCHÉE PENDANT LES ESSAIS DE PRESSION DE CE SYSTÈME LORSQUE LES PRESSIONS D'ESSAI EXCÈDENT 1/2 LB/PO <sup>2</sup> (3,5 KPA). FERMEZ LA SOUPAPE D'ARRÊT MANUELLE PENDANT TOUT ESSAI DE PRESSION DU SYSTÈME D'ALIMENTATION EN GAZ LORSQUE LA PRESSION EST DE 1/2 LB/PO <sup>2</sup> (3,5 KPA) OU MOINS.
N'UTILISEZ QUE LES ACCESSOIRES OPTIONNELS ET LES PIÈCES DE REMPLACEMENT APPROUVÉES PAR WOLF STEEL POUR CET APPAREIL. L'UTILISATION D'ACCESSOIRES NON LISTÉS (SOUFFLERIE, PORTES, PERSIENNES, MOULURES, COMPOSANTS DE GAZ, COMPOSANTS D'ÉVACUATION, ETC.) POURRAIT ÊTRE NON SÉCURITAIRE ET ANNULER LA GARANTIE ET LA CERTIFICATION.

**CET APPAREIL AU GAZ DEVRAIT ÊTRE INSTALLÉ ET ENTRETENU PAR UN INSTALLATEUR QUALIFIÉ** en se conformant aux codes locaux. Les pratiques d'installation peuvent varier d'une région à l'autre. Il est donc important de connaître les normes spécifiques qui s'appliquent à votre région. Par exemple dans l'état du Massachusetts:

- Ce produit doit être installé par un plombier certifié ou un installateur pour le gaz lorsque installé dans le Commonwealth du Massachusetts.
- Le registre de l'appareil doit être enlevé ou bloqué en le soudant en position ouverte avant d'installer un encastrement ou un ensemble de bûches à gaz.
- La soupape d'arrêt doit être un robinet à gaz avec une poignée en T.
- Le raccord flexible ne doit pas mesurer plus que 36 pouces.
- Un détecteur de monoxyde de carbone est requis dans toutes les pièces contenant des appareils alimentés au gaz.
- L'appareil n'est pas approuvé pour installation dans une chambre à coucher ou une salle de bain à moins d'être un appareil avec une chambre de combustion scellée à évacuation directe.

L'installation doit se conformer aux codes locaux. En l'absence de codes locaux, l'installation doit être conforme au Code d'Installation du gaz naturel et du propane CSA B149.1 au Canada ou au National Fuel Gas Code, ANSI Z223.1/NFPA 54 aux États-Unis. Cet appareil convient pour installation dans une maison mobile si l'installation est conforme aux normes actuelles pour les maisons mobiles équipées au gaz CAN/CSA Z240 SÉRIE MM au Canada ou selon les normes ANSI Z223.1 et NFPA 54 aux États-Unis.

## AVERTISSEMENT

**CET APPAREIL EST CHAUD LORSQU'IL FONCTIONNE ET PEUT CAUSER DE GRAVES BRÛLURES EN CAS DE**

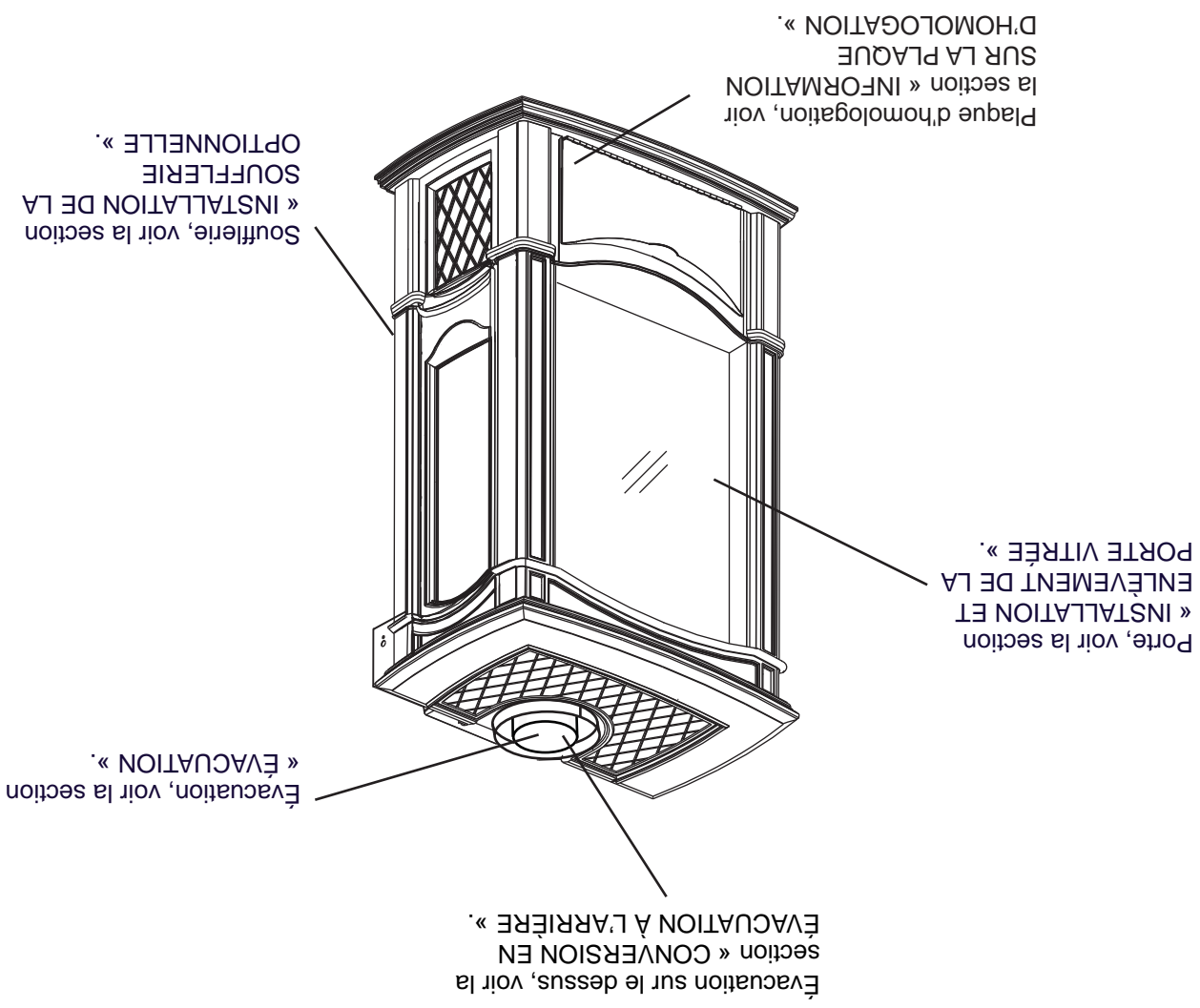
**CONTACT.**

**TOUTE MODIFICATION APPORTÉE À CET APPAREIL OU AUX CONTRÔLES PEUT ÊTRE DANGEREUX ET EST**

**INTERDIT.**

- Ne faites pas fonctionner l'appareil avant d'avoir lu et compris les instructions d'opération. Omettre d'utiliser l'appareil selon les instructions d'opération pourrait causer un incendie ou des blessures.
- Risque d'incendie ou d'asphyxie. Ne faites pas fonctionner l'appareil avec la vitre retirée.
- Ne branchez pas la soupape à du courant 110 volts.
- Risque de brûlures. L'appareil doit être éteint et refroidi avant d'effectuer un entretien.
- N'installez pas de composants endommagés ou incomplets ni des composants substitués.
- Risque de coupures et d'éraflures. Portez des gants protecteurs et des lunettes de sécurité lors de l'installation. Les bordures des pièces de métal peuvent être coupantes.
- Ne brûlez pas de bois ou autres matériaux dans cet appareil.
- Les enfants et les adultes devraient être informés des dangers que posent les températures de surface élevées et se tenir à distance afin d'éviter des brûlures ou que leurs vêtements ne s'enflamment.
- Les jeunes enfants doivent être supervisés attentivement lorsqu'ils sont dans la même pièce que l'appareil. Les jeunes enfants et autres personnes sont sujets aux brûlures accidentelles. Une barrière de protection est recommandée si des individus à risque se trouvent dans la maison. Afin de restreindre l'accès à l'appareil, installez une barrière de protection ajustable pour garder les jeunes enfants ou autres personnes à risque hors de la pièce et loin des surfaces chaudes.
- Les vêtements et autres matériaux combustibles ne doivent pas être posés sur l'appareil ou à proximité.
- En raison des températures élevées, l'appareil devrait être placé loin des endroits passants et loin des meubles et des rideaux.
- Assurez-vous de disposer de mesures de sécurité adéquates pour empêcher les jeunes enfants de toucher aux surfaces chaudes.
- Même une fois que l'appareil est éteint, la vitre et/ou le pare-étincelles demeureront chauds pendant un temps prolongé.
- Consultez votre détaillant local de foyer pour connaître les grillages de sécurité et les écrans offerts pour protéger les enfants des surfaces chaudes. Ces grillages de sécurité et ces écrans doivent être fixés au plancher.
- Les grillages de sécurité ou écrans enlevés pour faire l'entretien devront être remis en place avant d'utiliser l'appareil.
- Cet appareil est un appareil à gaz ventilé. Ne brûlez pas de bois ou autres matériaux dans cet appareil.
- Il est primordial de garder propres les compartiments de contrôle, les brûleurs, la soufflerie, les bouches d'air de l'appareil ainsi que le système d'évacuation. L'appareil et son système d'évacuation doivent être inspectés avant la première utilisation et au moins une fois l'an par un spécialiste en entretien. Un entretien plus fréquent pourrait être nécessaire en raison des peluches provenant des tapis, literie, etc. L'emplacement de l'appareil doit être gardé libre de tous matériaux combustibles, essence ou autres liquides et vapeurs inflammables.
- Cet appareil ne devra être modifié en aucun cas.
- Cet appareil ne doit pas être raccordé au conduit d'une cheminée desservant un autre appareil de chauffage à combustible solide.
- N'utilisez pas cet appareil si une partie quelconque a été submergée. Contactez immédiatement un technicien de service qualifié pour inspecter l'appareil et pour remplacer toute pièce du système de contrôle et du contrôle du gaz qui aurait été submergée.
- Ne pas opérer l'appareil lorsque la porte vitrée est enlevée, fissurée ou brisée. Le remplacement de la vitre devra être effectuée par un technicien de service certifié ou qualifié.
- Ne frappez pas et ne claquez pas la porte vitrée de l'appareil.
- Lorsque l'appareil est muni de portes d'évacuation de pression, elles doivent demeurer fermées pendant le fonctionnement de l'appareil afin d'empêcher les gaz de combustion contenant du monoxyde de carbone de s'infiltrer dans la maison.
- Seules les portes/fagades certifiées pour cet appareil peuvent être utilisées avec cet appareil.
- Gardez les matériaux d'emballage hors de la portée des enfants et mettez ces matériaux au rebut de façon sécuritaire. Comme tous les emballages de plastique, ces matériaux ne sont pas des jouets et doivent demeurer hors de la portée des enfants et des bébés.
- Comme dans le cas de tout appareil à combustion, il est recommandé de faire inspecter et entretenir votre appareil régulièrement. De même, installez un détecteur de monoxyde de carbone dans la pièce pour vous protéger, ainsi que votre famille, contre les intoxications.
- Assurez-vous de respecter les dégagements aux matériaux combustibles lorsque vous installez un manteau ou des tablettes au-dessus de l'appareil. Les téléviseurs et autres composants électroniques soumis à des températures élevées peuvent fondre, se déformer, se décolorer et entraîner des défaillances prématurées de ces appareils.
- Cet appareil utilise et requiert un thermocouple à action rapide. Remplacez uniquement par un thermocouple à action rapide de Wolf Steel liée.

# 1.0 VUE D'ENSEMBLE DE L'INSTALLATION





# TABLE DES MATIÈRES

3	1.0	VUE D'ENSEMBLE DE L'INSTALLATION
4	2.0	<b>INTRODUCTION</b>
5	2.1	DIMENSIONS GÉNÉRALES
5	2.2	INSTRUCIONS GÉNÉRALES
6	2.3	INFORMATION GÉNÉRALE
7	2.4	PLAQUE D'HOMOLOGATION
8	3.0	<b>EVACUATION</b>
9	3.1	LONGUEURS DES CONDUITS D'EVACUATION ET DES COMPOSANTS
10	3.2	INSTALLATIONS TYPIQUES D'ÉVÉNEMENTS
12	3.3	INSTALLATIONS PARTICULIÈRES D'ÉVÉNEMENTS
12	3.3.1	ENSEMBLE PÉRISCOPE
12	3.3.2	INSTALLATION EN COIN
13	3.4	EMPLACEMENTS ET DÉGAGEMENTS MINIMAUX DE LA TERMINAISON
14	3.5	CHARTRE D'APPLICATION DES ÉVACUATIONS
14	3.6	LÉGENDE
14	3.7	VALEUR DU COUDE EN LONGUEUR D'ÉVENT
15	3.8	ÉVACUATION SUR LE DESSUS - TERMINAISON HORIZONTALE
17	3.9	ÉVACUATION À L'ARRIÈRE - TERMINAISON HORIZONTALE
19	3.10	ÉVACUATION SUR LE DESSUS OU À L'ARRIÈRE - TERMINAISON VERTICALE
22	3.11	TERMINAISON VERTICALE À TRAVERS UNE CHEMINÉE EXISTANTE
23	3.12	CONVERSION EN ÉVACUATION À L'ARRIÈRE
24	4.0	<b>INSTALLATION</b>
24	4.1	PROTECTION DU MUR ET DU PLAFOND
25	4.1.1	INSTALLATION HORIZONTALE
26	4.1.3	INSTALLATION VERTICALE
26	4.1.2	RACCORDEMENT DES ÉVÉNEMENTS À L'APPAREIL
27	4.1.4	INSTALLATION DE LA TERMINAISON HORIZONTALE
28	4.1.5	INSTALLATION DE LA TERMINAISON HORIZONTALE PROLONGÉE AJUSTABLE
29	4.1.6	INSTALLATION DE LA TERMINAISON VERTICALE
30	4.2	INSTALLATION DANS UNE MAISON MOBILE
31	4.3	BRANCHEMENT DU GAZ
32	4.4	DÉGAGEMENTS MINIMAUX AUX MATÉRIAUX COMBUSTIBLES
34	5.0	<b>BRANCHEMENT ÉLECTRIQUE</b>
34	5.1	SCHEMA DE CABLAGE
35	6.0	<b>FINITIONS</b>
36	6.1	PORTE VITRÉE
36	6.2	REMPACEMENT DE LA VITRE DE PORTE
37	6.3	DISPOSITION DES BÛCHES
38	6.4	BRAISES DE CHARBON DE BOIS
38	6.5	VERMICULITE
38	6.6	BRAISES INCANDESCENTES
38	6.7	MISE EN PLACE DU LOGO
39	7.0	<b>INSTALLATION DE LA SOUFFLERIE OPTIONNELLE</b>
40	8.0	<b>FONCTIONNEMENT</b>
41	8.1	FONCTIONS DES INTERRUPTEURS
42	9.0	<b>RÉGLAGES</b>
42	9.1	REMPACEMENT DE L'INJECTEUR DE VEILLEUSE ET DE L'INJECTEUR DE BRÛLEUR
42	9.2	VÉRIFICATION DE LA PRESSION
43	9.3	CARACTÉRISTIQUES DE LA FLAMME
43	9.4	RÉGLAGE DU VENTURI
43	9.5	ÉTRANGLEMENT DES ÉVÉNEMENTS VERTICAUX
44	10.0	<b>ENTRETIEN</b>
44	10.1	REMPACEMENT DE LA LUMIÈRE DE VEILLE
44	10.1.1	REMPACEMENT DE L'AMPOULE
44	10.1.2	INSTALLATION DE L'ASSEMBLAGE DE LENTILLE
45	10.1.3	REMPACEMENT DE L'ASSEMBLAGE DE LENTILLE
45	10.2	SOINS DE LA VITRE
46	11.0	<b>RECHANGES</b>
46	12.0	<b>GUIDE DE DÉPANNAGE</b>
46	13.0	<b>GARANTIE</b>
46	14.0	<b>HISTORIQUE D'ENTRETIEN</b>

**NOTE :** Les changements autres que de nature éditoriale sont dénotés par une ligne verticale dans la marge.

INSTALLATEUR : LAISSEZ CE MANUEL AVEC L'APPAREIL.  
 PROPRIÉTAIRE : CONSERVEZ CE MANUEL POUR CONSULTATION ULTÉRIEURE.  
 NE LAISSEZ PAS LES ENFANTS OU AUTRES INDIVIDUS À RISQUE SEULS À PROXIMITÉ DE L'APPAREIL.

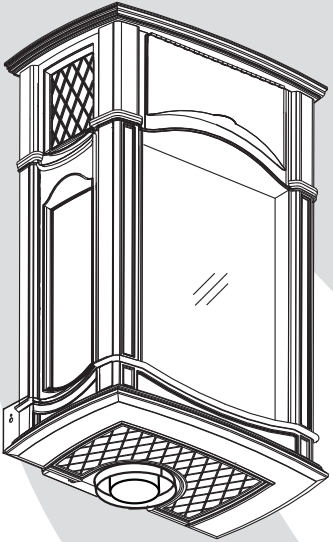
# INSTRUCTIONS D'INSTALLATION ET D'OPÉRATION



HOMOLOGUÉ SELON LES NORMES NATIONALES CANADIENNES ET AMÉRICAINES CSA2.22 ET ANSI Z21.50 POUR LES APPAREILS À GAZ VENTILÉS.

**GDS26N**  
 GAZ NATUREL

**GDS26P**  
 PROPANE



## **AVERTISSEMENT**

LA VITRE CHAUDE CAUSERA  
 DES BRÛLURES.  
 NE PAS TOUCHER LA VITRE  
 AVANT QU'ELLE AIT REFRIDI.  
 NE JAMAIS LAISSER LES  
 ENFANTS TOUCHER LA VITRE.



## **CONSIGNES DE SÉCURITÉ**

Si ces instructions ne sont pas suivies à la lettre, un incendie ou une explosion pourraient s'ensuivre, causant des dommages matériels, des blessures corporelles ou des pertes de vie.

- N'entreposez pas et n'utilisez pas d'essence ou autres liquides et vapeurs inflammables à proximité de cet appareil ou tout autre appareil.
- QUE FAIRE SI VOUS DÉTECTEZ UNE ODEUR DE GAZ :
  - N'allumez aucun appareil.
  - Ne touchez à aucun interrupteur électrique;
  - n'utilisez aucun téléphone dans votre immeuble.
  - Appelez immédiatement votre fournisseur de gaz d'un téléphone voisin. Suivez ses instructions.
  - Si vous ne pouvez pas rejoindre votre fournisseur de gaz, appelez le service des incendies.
- L'installation et l'entretien doivent être faits par un installateur qualifié, une agence d'entretien ou le fournisseur.

Cet appareil peut être installé dans une maison préfabriquée (mobile) déjà installée à demeure si les règlements locaux le permettent.

Cet appareil doit être utilisé uniquement avec le type de gaz indiqué sur la plaque signalétique. Cet appareil ne peut être converti à d'autres gaz, sauf si une trousse de conversion est utilisée.



Wolf Steel Ltd, 24 Napoleon Rd., Barrie, ON, L4M 0G8 Canada /  
 103 Miller Drive, Crittenden, Kentucky, USA, 41030  
 Téléphone 705-721-1212 • Télécopieur 705-722-6031 • www.napoleonfoyers.com • ask@napoleon.on.ca