



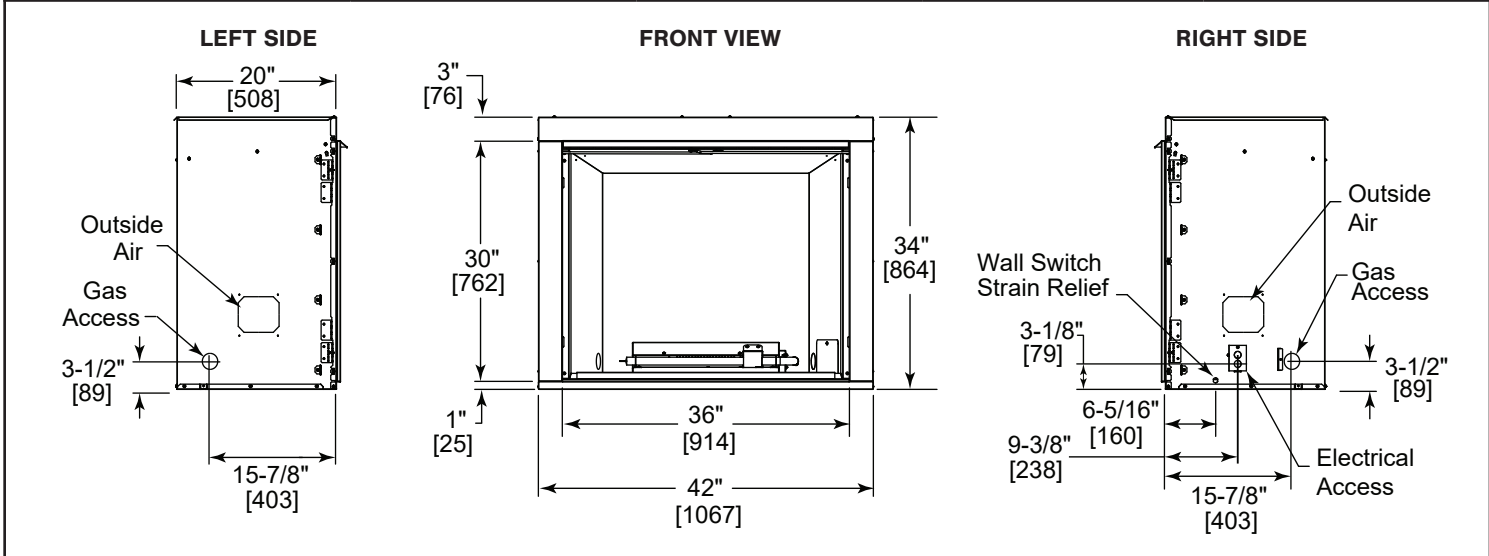
COURTYARD 36"

Outdoor Gas Fireplace

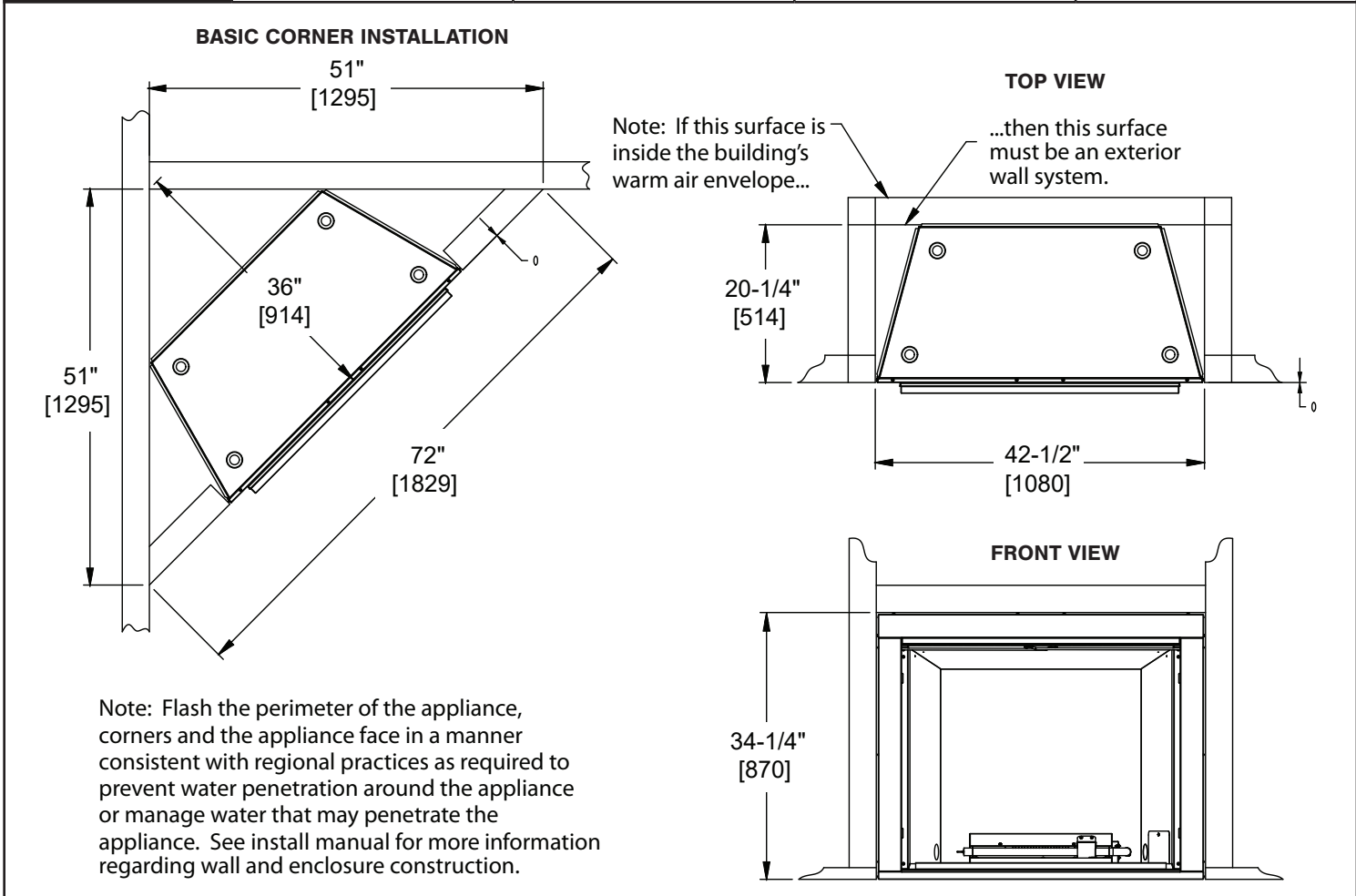
Scan QR code for installation manual for final dimensions and requirements.



ACTUAL DIMENSIONS	FRONT WIDTH	HEIGHT	DEPTH	FIREBOX OPENING
	36" [914]	34" [864]	20" [508]	36" x 30" [914 X 762]



FRAMING DIMENSIONS	FRONT WIDTH	HEIGHT	DEPTH	WEIGHT
	42-1/2" [1080]	34-1/4" [870]	20-1/4" [514]	90 LBS [198 KGS]



APPLIANCE LOCATION

30% (or .30) of the outdoor living space periphery needs to be open.

1. Add lengths of the outside living space.
 $16' + 20' + 16' + 20' = 72'$

2. Divide the open area length by the total outdoor living space.
 $20 / 72 = .28$

.28 is less than the .30 required and therefore this installation would not be approved.

1. Add lengths of the outside living space.
 $12' + 20' + 12' + 20' = 64'$

2. Divide the open area length by the total outdoor living space.
 $20 / 64 = .31$

.31 is greater than the .30 required and therefore this installation would be approved.

CLEARANCES TO COMBUSTIBLES

NOTICE: Vinyl siding must not be placed between the appliance opening and the ceiling/overhang.

36 in to ceiling (914 mm)

0 in to standoffs

0 in to floor

0 in to back

0 in to side

Finish Material

0 in

Combustible flooring may be installed next to the front of the appliance.

Finish Material

6 in (152 mm) min.

9 in (229 mm) min. (from firebox opening)

Perpendicular

MANTEL AND WALL PROJECTIONS

Unit

6.00"

Gray area is combustible material

12.00"

White area is non-combustible material only

Minimum Side Wall

9.00"

Grid dimensions: 1", 2", 3", 4", 5", 6", 7", 8", 9", 10", 11", 12"

PRODUCT LISTING CODES	
US	UL127
CAN	ULC-S610-M87

Product information provided is not complete and is subject to change without notice. Product installation must adhere strictly to instructions accompanying product to avoid risk of fire and potential injury.

Additional information can be found online at www.fireplaces.com