

Models:
VOFBSD-36, VOFBSD-42
Mesh Door Kits



Door Model Number	For Use on Models	
VOFBSD-36	VOBF36-T	VOFB36-H
VOFBSD-42	VOFB42-T	VOFB42-H

These mesh door kits have been tested for use with specific Hearth & Home Technologies products. Check with your local building code agency before you begin installation to ensure compliance with local codes, including the need for permits and follow-up inspections. If you encounter any problems regarding code approvals, or if you need clarification of any of the instructions contained here, contact your Hearth & Home Technologies dealer. For the dealer nearest you, please visit www.hearthnhome.com.

CAUTION! Risk of Cuts/Abrasions. Wear protective gloves and safety glasses during installation. Sheet metal edges are sharp.

NOTICE: All fingerprints and smudges must be wiped clean from the viewable surfaces of the door kit prior to the initial burning of the fireplace. If this is not done, these prints and smudges will be cured into the finish and set for the life of the fireplace. To keep the finish looking its best, gently wipe with a soft cloth and if desired, soap and water. Never use thinner or abrasive cleaners since these products will damage the finish.

⚠ WARNING



HOT SURFACES!

Screen/mesh, glass doors and other surfaces are hot during operation AND cool down.

Hot screen/mesh and glass doors will cause burns.

- Do not touch screen/mesh or glass doors until cooled
- NEVER allow children to touch screen/mesh or glass doors
- Keep children away
- CAREFULLY SUPERVISE children in same room as fireplace.
- Alert children and adults to hazards of high temperatures.

High temperatures may ignite clothing or other flammable materials.

- Keep clothing, furniture, draperies and other flammable materials away.

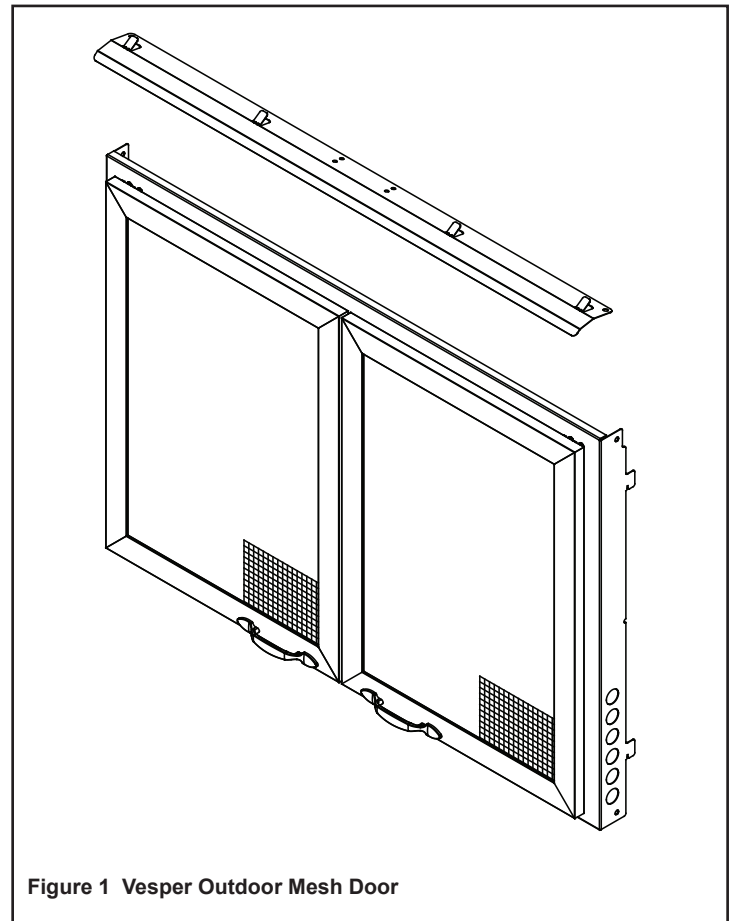


Figure 1 Vesper Outdoor Mesh Door

CAUTION! The door kit is heavy. We recommend two installers to put the front assembly in place.

WARNING! Risk of Fire! DO NOT place combustible materials on the metal fireplace face or columns.

Installation:

1. Remove the existing screens from the fireplace. See Figure 2:
 - Remove one screw in each of the screen rods behind the upper screen cover
 - Slide screen rods out of support holes.
 - Rods and screen will come out as an assembly.
 - Discard.
2. Install inner hood by using the bend tabs to locate. Use the 2 screws from the screen rods to secure into place. Leave original hood in place.
3. Hang door frame assembly into the 4 slots located on the firebox (see Figure 2) with the corresponding hooks on the door frame. See Figure 3. Be sure door is all the way down on the hooks. Door frame will have approximately 1/2 inch gap on the bottom of frame. See Figure 4.

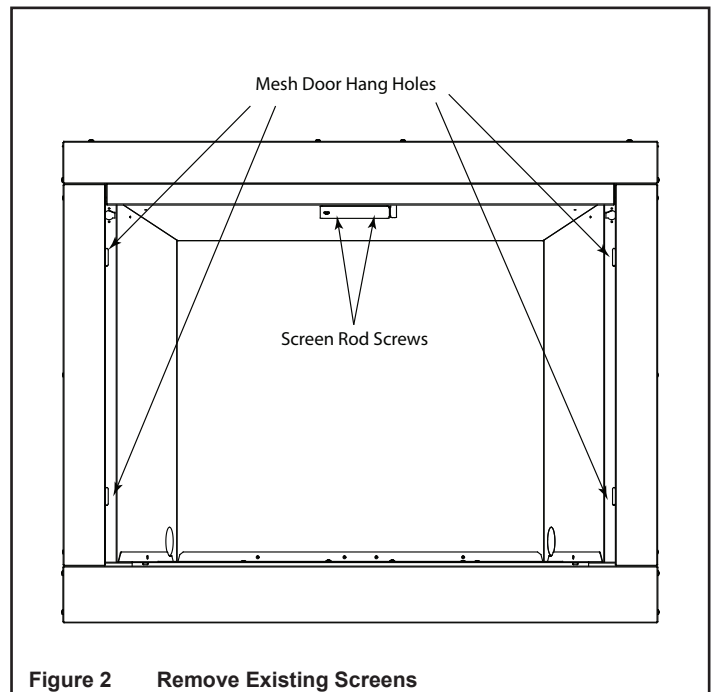


Figure 2 Remove Existing Screens

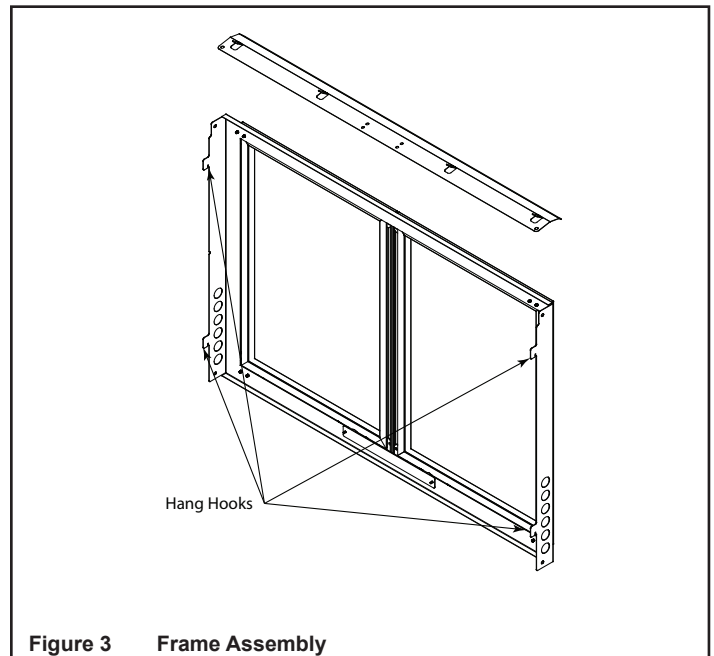


Figure 3 Frame Assembly

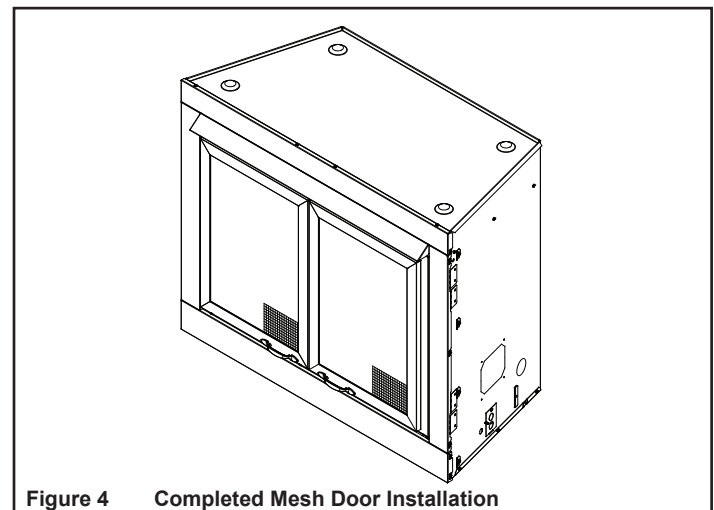


Figure 4 Completed Mesh Door Installation