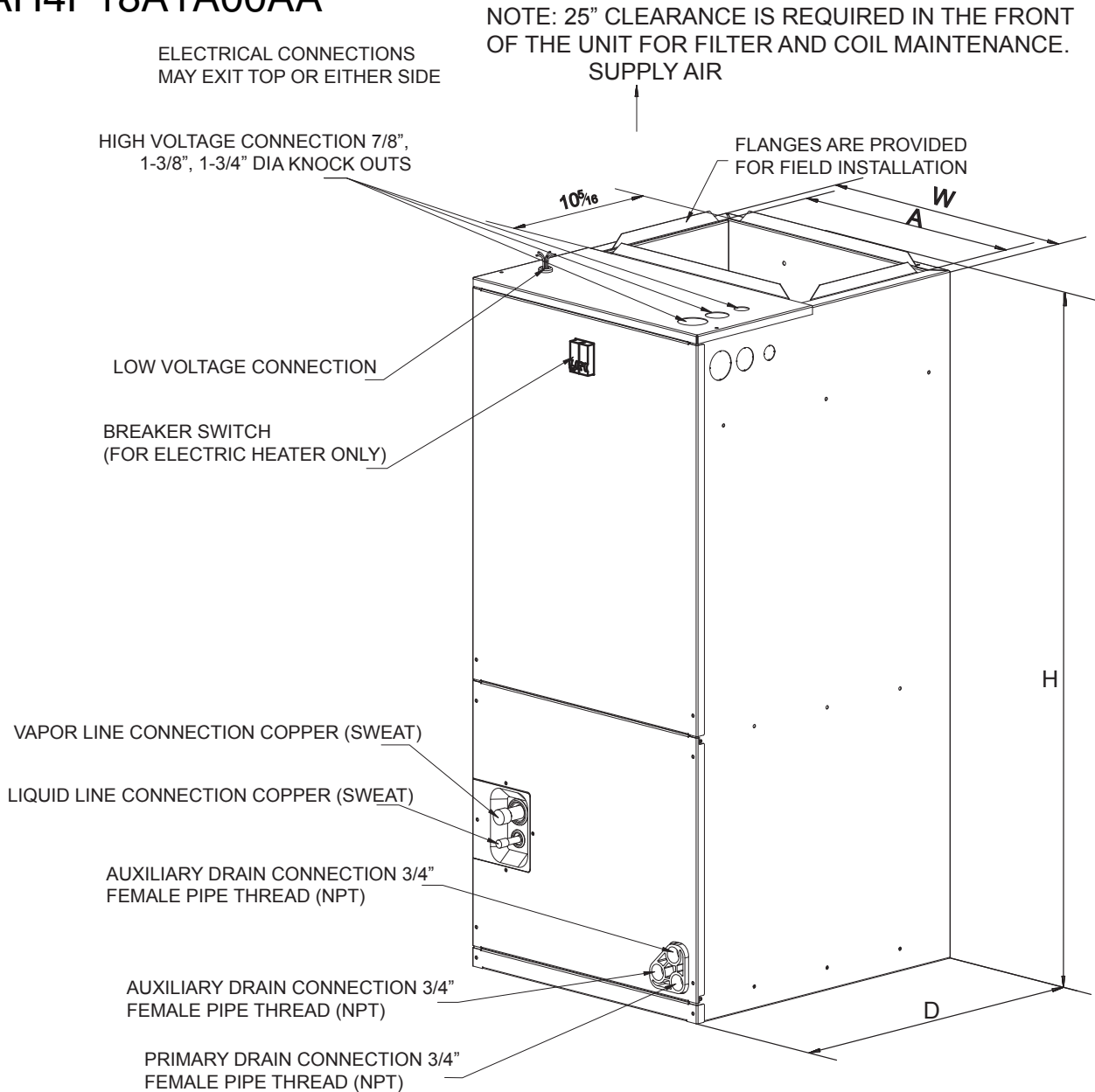


TAG: _____

SUBMITTAL

**1.5 Ton
Multi-position Air Handler
J4AH4P18A1A00AA**



UPFLOW UNIT SHOWN;
UNIT MAY BE INSTALLED UPFLOW, DOWNFLOW,
HORIZONTAL RIGHT, OR LEFT AIR SUPPLY.

NOTE: All dimensions are in mm/inches.

Model	H	W	D	A
J4AH4P18A1A00AA	1050 (41-3/8)	460 (18-1/8)	520 (20-1/2)	406 (16)

PRODUCT SPECIFICATIONS

PRODUCT SPECIFICATIONS

MODEL	J4AH4P18A1A00AA
RATED VOLTS/PH/HZ.	208-230/1/60
RATINGS	See O.D. Specifications
INDOOR COIL — Type	Plate Fin
Rows — F.P.I.	4 - 17
Face Area (sq. ft.)	2.99
Tube Size (in.)	9/32
Refrigerant Control	Orifice
Drain Conn. Size (in.)	3/4 NPT
DUCT CONNECTIONS	See Outline Drawing
INDOOR FAN — Type	Centrifugal
Diameter-Width (In.)	10-5/8 X 8-1/8
No. Used	1
Drive - No. Speeds	Direct - 3
CFM vs. in. w.g.	See Fan Performance Table
No. Motors — H.P.	1 - 1/8
Motor Speed R.P.M.	1075
Volts/Ph/Hz	208-230/1/60
F.L. Amps	1.4
FILTER	
Filter Furnished?	No
Type Recommended	Throwaway
No.-Size-Thickness	1 - 16 X 20 - 1 in.
REFRIGERANT	R-410A
Ref. Line Connections	Brazed
Coupling or Conn. Size — in. Gas	3/4
Coupling or Conn. Size — in. Liq.	3/8
DIMENSIONS	H x W x D
Crated (In.)	42-7/10 x 21 x 24-1/6
Uncrated	41-3/8 x 18-1/8 x 20-1/2
WEIGHT	
Shipping (Lbs.)/Net (Lbs.)	117/104



Intertek



Heater Kit Model Used	Electric Heat (kW)	Min. Circuit Ampacity		Max. Fuse or Breaker (HACR) Ampacity		Minimum Heating Blower Speed	
		240V	208V	240V	208V	Without HP	With HP
JAYHTR1A05BKR *	5	27.9	24.4	30	25	Low	Low
JAYHTR1A08BKR *	7.5	40.9	35.7	45	40	Low	Low
JAYHTR1A10BKR *	10	53.9	47	60	50	Low	Low

Note: Factory set at Medium Speed.

Motor Speed	AIR FLOW PERFORMANCE									
	J4AH4P18A1A00AA									
	External Static Pressure-Inches W.C. (kPa)									
		0(.0)	0.1(.02)	0.2(.05)	0.3(.07)	0.4(.10)	0.5(.12)	0.6(.15)	0.7(.17)	0.8(.20)
Low	CFM	563	498	434	373	317	246	217	-	-
Medium	CFM	695	633	576	509	457	388	318	240	231
High	CFM	927	872	815	761	697	633	566	510	380

Mechanical Specifications

- Unique Cabinet Design
- Metal shell and glass cotton thermal insulation layer
- Multi-Position UP/Down Flow Horizontal Left /Right
- Braze in Refrigerant Connection
- Primary/Secondary Condensate Connections
- Blower with Integrated Slide Deck for Easy Removal
- Inner-groove aluminum tube and high-efficiency aluminum fin Coil with Integrated Slide Deck for Easy Removal
- More auxiliary Electric Heaters optional
- PSC 3 Speed Motor
- High Efficiency
- Integrated Horizontal Drain pans and metal Vertical Drain
- Fused 24V Power
- 5-Year Warranty.
- Warranty Mirrors Outdoor.
- Optional extended warranty available.

OXBOX[™]
A TRANE® BRAND



The manufacturer has a policy of continuous product and product data improvement and it reserves the right to change design and specification without notice.

BX-PRQ-J4AH4P18A1A00A-1A