

THANK YOU FOR PURCHASING A PEARL MANTELS™ SURROUND!

Suggested Installation for Non-Combustible Mantel Surround using the included metal Hanger Rail system

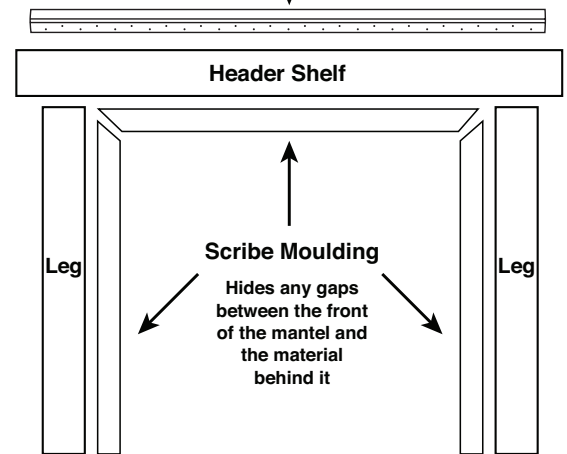
The hanger rail is only a suggested method. Always consult a professional to assist with installation of any Pearl Mantels™ product. Pearl Mantels™ suggests that at least two people be available for installation and does not assume responsibility and disclaims liabilities for losses, damages, injuries or expenses arising from the installation and use of any Pearl Mantels™ products.

WARNING! HEAT CLEARANCES MUST BE ADHERED TO FOR INSTALLATION OF THIS PRODUCT; ADHERE TO YOUR LOCAL BUILDING HEAT CLEARANCE CODES AND HEAT CLEARANCES AS STATED BY THE MANUFACTURER OF YOUR SPECIFIC FIREBOX OR STOVE MODEL. FAILURE TO DO SO WILL VOID THE PRODUCT WARRANTY. ALWAYS CONSULT A PROFESSIONAL.

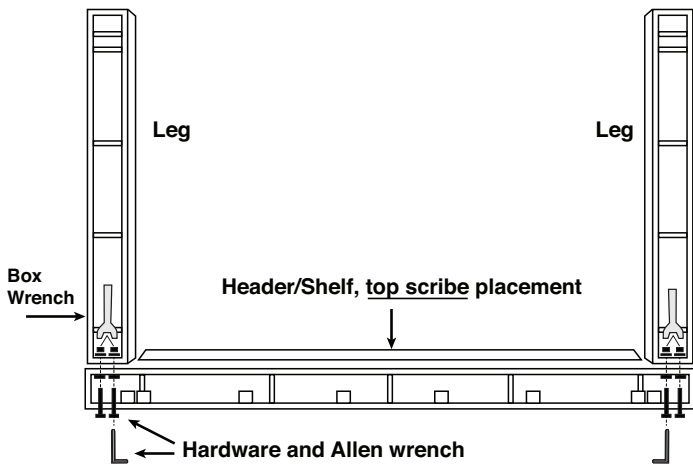
Included in your carton: Mantel shelf/header, mantel legs, hardware (nuts, bolts, washers, Allen wrench, box wrench) to attach legs to shelf/header detached metal hanger rail (**hardware to install metal hanger rail NOT included**), 3 piece scribe moulding set, instruction sheet, and certificate of authenticity. Included hardware will be wrapped in red tape.

NOT included: Mounting hardware for detached metal hanger rail. There are many different mounting surfaces, i.e. brick, stone, drywall... and each requires a different hardware for secure attachment. **Also NOT included** are materials for attaching the scribe moulding.

Included in the Carton:
Metal Hanger Rail with Pre-Drilled Holes



Mantel and Scribe Assembly: Place Header Shelf upside-down on a protected surface, i.e. carpet. One at a time, line up the holes on each leg with the holes on the header shelf and using the assembly hardware (included), bolt each leg to the header shelf. Make sure legs are straight, then hand-tighten, leaving a little “wiggle” so that the top scribe may be fitted. With the mantel still upside down, slide the top scribe in place (to fit) and then tighten the bolts so that the top scribe will slip in and out. Remove the top scribe (final installation of the scribe moulding will take place after your mantel is mounted) and leave the mantel upside down until Measuring/Mounting is complete.
Scribe Moulding: A **DIAMOND BLADE** is required if the scribes need to be ripped. **Always consult a professional.** A suggested method to attach the scribes is to use an epoxy adhesive (**NOT included**). Your installer may have another recommendation. **Always consult a professional.**



MEASURING/MOUNTING:
ALWAYS CHECK LOCAL BUILDING CODES AND HEAT CLEARANCES AS WELL AS HEAT CLEARANCES SPECIFIED BY THE MANUFACTURER OF THE FIREBOX INSERT.
ALWAYS ATTACH HANGER RAIL TO STUDS.
ALWAYS CONSULT A PROFESSIONAL.

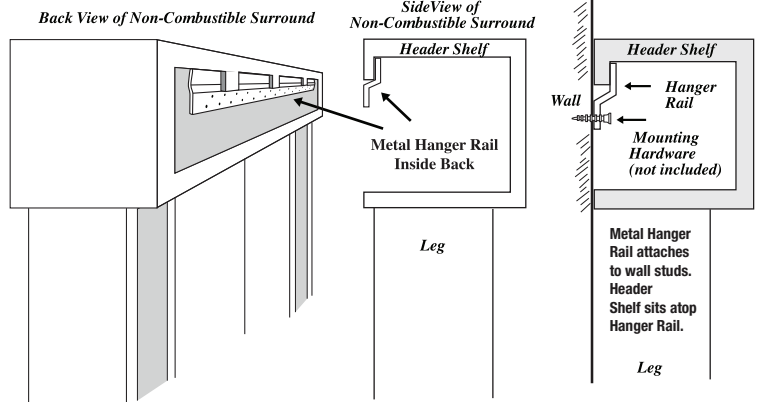
The Hanger Rail system: The metal hanger rail is pre-drilled making it easy to attach to studs. After measuring, mount the hanger rail into studs and hang your assembled mantel by fitting the tabs on the back of the header shelf over the hanger rail. When properly married together, the surround will be locked in place. This is only a suggested method and your installer may have another recommendation. Always consult a professional.

MOUNTING HARDWARE FOR DETACHED HANGER RAIL IS NOT INCLUDED

Measuring: With the header shelf still on the floor, insert the detached hanger board as it would hang on the wall and take the measurement from the bottom of the leg to the bottom of the hanger board (see Figure A). Do this for each leg and transfer these measurements to your mounting surface, measuring from your floor or hearth, wherever the legs will sit. Make sure your hanger board is centered (see Figure B). When mounted correctly, the mantel will simply hang on the hanger board with the legs touching the floor or hearth. Once mounted, if the mantel or shelf doesn't seem to fit snugly to the wall, you may put a small shim of paper, cardboard, etc., to fill the gap where the 2 halves of the hanger board meet. **Ensure that all heat clearances have been adhered to.**

Centering: Find the center point over the firebox by measuring from one side to the other. Mark the center point on the mounting surface then do the same for the hanger board. (See Figure B.)

WARNING! HEAT CLEARANCES MUST BE ADHERED TO ALWAYS CONSULT A PROFESSIONAL FOR INSTALLATION OF THIS PRODUCT; ADHERE TO YOUR LOCAL BUILDING HEAT CLEARANCE CODES AND HEAT CLEARANCES AS STATED BY THE MANUFACTURER OF YOUR SPECIFIC FIREBOX OR STOVE MODEL. FAILURE TO DO SO WILL VOID THE PRODUCT WARRANTY.



DRAWINGS ARE FOR ILLUSTRATIVE PURPOSES ONLY

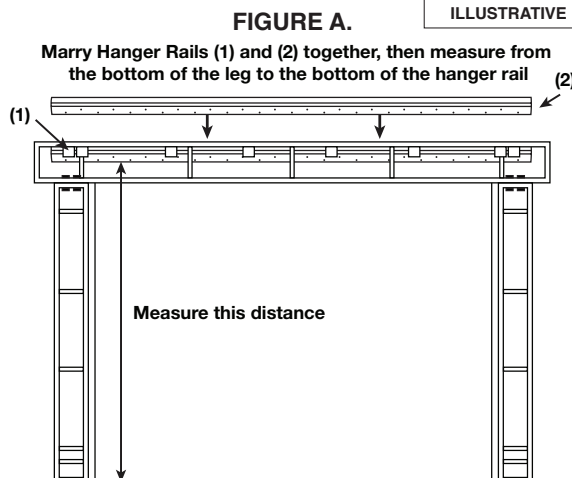


FIGURE A.

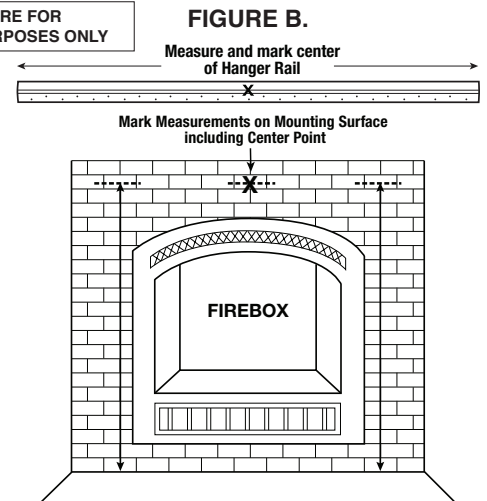


FIGURE B.