

Renaissance Cooking Systems



REFR2

Owner's Manual



RCS Indoor & Outdoor Electric Refrigerator

***PLEASE READ THE MANUAL THOROUGHLY PRIOR TO
EQUIPMENT SET-UP, OPERATION AND MAINTENANCE.***

This owner's manual was updated November 2020

www.RCSGasGrills.com

SAVE THESE INSTRUCTIONS



INSTALLATION

IMPORTANT!!! PLEASE READ BEFORE INSTALLATION

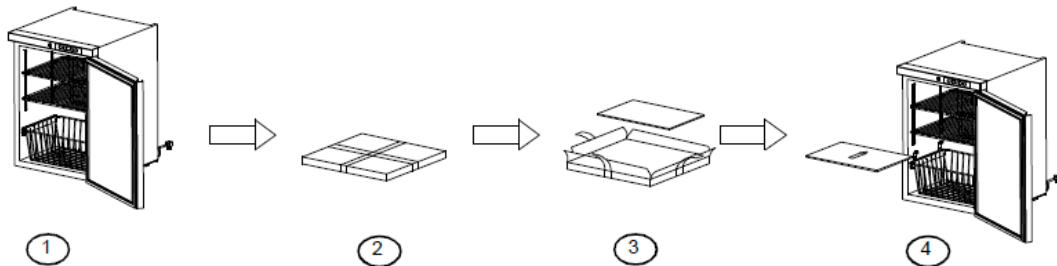
- If the unit has recently been transported, please let unit stand upright for a minimum of 24 hours before plugging it in.
- Make sure that the unit drops down to desired temperature before loading the unit with product.
- Make sure that there is proper ventilation around the unit in the area where it will operate.
- Make sure all accessories are installed (i.e. shelves, shelf clips) before plugging the unit in.
- Please read through the manual in its entirety.

CABINET LOCATION GUIDELINES

- **Install the unit on strong and leveled surfaces**
 - unit may make unpleasant noises if surface is uneven
 - unit may malfunction if surface is uneven
- **Install the unit in a dry, well-ventilated area**
 - unit should be away from direct sunlight, Extreme cold ambient temperatures may also cause the unit not to perform properly.
- **Avoid installation in a high humidity and/or dusty area**
 - humidity could cause unit to rust and decrease efficiency or malfunction
 - dust collected on condenser coil will cause unit to decrease efficiency or malfunction. Clean the condenser coil at least once a month with a brush or clean cloth
- **For optimal energy consumption, it is suggested to keep 20" distance from heat emitting devices (ex: cooking appliances, radiators, water heaters, or similar devices) and moisture-generating equipment**
 - high ambient temperatures will cause the compressor to overwork, leading to higher energy bills and gradual breakdown of the unit
- **For proper ventilation, please leave 6" of space at each side of the unit inside of the countertop, and please be sure that the underside of the unit is left unobstructed. And there should be air vent opened to the outside of the island**

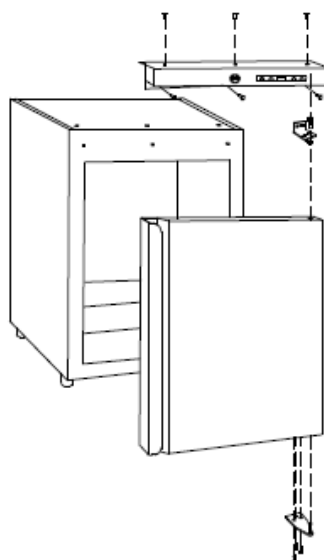
INSTALLING THE GLASS SHELF

- Open the door. The glass shelf is packed underneath the Refrigerator Basket.
- Take the glass shelf out of the refrigerator and packaging.
- Put the glass shelf onto the Protective Pads.

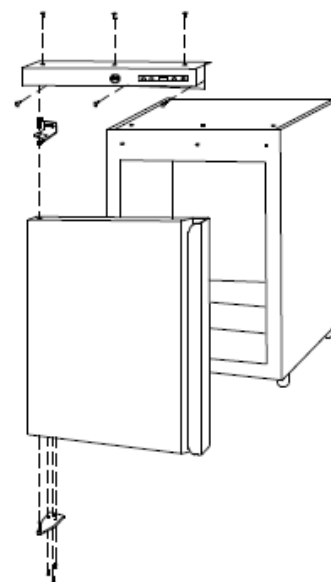


CHANGING THE DOOR'S SWING

The direction of the door opens could be changed by placing the Upper and Lower Hinges in different corners. Remove the hardware on the Control Panel and Hinges as shown. Place the hinges and door to your preference. Reinstall the Control Panel and Hardware. Each unit comes with a top Left-handed hinge.



Door Swings to Right



Door Swings to Left

TEMPERATURE CONTROLLER

The temperature controller is set with a minimum temperature of 33 degrees farenhieght to a maximum temperature of 43 degrees farenhieght. It is perfectly normal for the fridge to vary in temperature from 33 – 43 degrees.

Turning Unit On/Off:

On: Press **UP** for more than 3 seconds.

Off: Press **UP** for more than 3 seconds, OFF will flash every other time.

Setting Temperature:

1. Press **SET** for 3 second, the set value will start flashing after a few seconds.
2. Increase or decrease the value using the UP/DOWN buttons.
3. Press/Hold **SET** to confirm the new value.

Changing Celsius to Farenhieght:

1. Press **SET** for 5 seconds until PS flashes.
2. Press **SET** and scroll up to “22” then press/hold **SET** until PS flashes.
3. Scroll up to **/5** and press **SET**.
4. Scroll up to change 0 to 1. Press/hold **SET** for 3 seconds to confirm changes. This will take you back to main screen to complete process.

Note: 0 = Celsius 1 = Farenhieght

ELECTRICAL

Please ensure that the required voltage of the compressor is being supplied at all times (110-120v AC). Low or high voltage can detrimentally affect the refrigeration unit.

All units should be plugged into a grounded and properly-sized electrical outlet with appropriate overcurrent protection. Please refer to the electrical requirements on the nameplate. Please make sure that your unit has its own dedicated outlet. Do not use an extension cord.

Use Tips

Storing Foods

- Foods to be stored in the refrigerator should be properly packed so as to prevent mixing various moisture degrees and odors.
- Make sure that foodstuffs do not touch each other. Assure adequate air circulation around packages.
- Never store flammable, volatile or explosive substances.

- Beverages with high alcohol percentage shall be stored in tightly sealed bottles in vertical position.
- Food should not touch the rear wall of the refrigerator.
- Try not to open the door too often,
- Make sure to remove perishable articles of food out of the appliance before you leave for a long time.

SAFETY / WARNING

Please pay close attention to the safety notices in this section. Disregarding these notices may lead to serious injury and/or damage to the unit.

ATTENTION

- To minimize shock and fire hazards, be sure not to overload outlet. Please designate one outlet for your unit.
- Do not use extension cords.
- Do not put your hands under the unit when the unit is required to be moved.
- When the unit is not in use for a long period of time, please unplug the unit from the outlet.
- After unplugging the unit, wait at least 10 minutes before re-plugging it. Failure to do so could cause damage to the compressor.
- Do not defrost the appliance with other electric appliances (for example a hair dryer) and never attempt to scrape /remove ice/frost with sharp objects. Use only enclosed tools or tools recommended by the manufacturer.

UNPLUG CORD

- To minimize shock and fire hazards, please do not plug or unplug the cord with wet hands.
- During maintenance and cleaning, please unplug the unit.

PROPER GROUDING REQUIRED

- To minimize shock and fire hazards, make sure that the unit is properly grounded.

CAUTION!!!

- Do not attempt to remove or repair any component unless instructed by factory.
- Make sure that the unit is not resting on or against the electrical cord and plug.
- To minimize personal injury, do not hang on the doors.
- Do not store any flammable and explosive gas or liquids inside the unit.
- Do not attempt to alter or tamper with the electrical cord.

REGULAR MAINTENANCE

Automatic Defrosting of the Refrigerator

- There is no need to defrost the refrigerator, because ice depositing on the inner back wall is defrosted automatically.
- Ice build-up on the inner back wall during the compressor operation; will (when the compressor has cycled off) defrost automatically. Defrost water collects inside the drain by passing through the drain outlet in the inner back wall into a drain pan situated above the compressor. From there it automatically evaporates.

CLEANING THE CONDENSER COIL

- For efficient operation, it is important that the condenser surface be kept free of dust, dirt, and lint. Do not use any sharp objects to clean.
- We recommend cleaning the condenser coil and fins at least once per month.
- Clean with a commercial condenser coil cleaner, available from any kitchen equipment retailer. Brush the condenser fins from top to bottom, not side to side.
- After cleaning, straighten any bent condenser fins with a fin comb.

CLEANING THE FAN BLADES AND MOTOR

If necessary, clean the fan blades and motor with a soft cloth. If it is necessary to wash the fan blades, cover the fan motor to prevent moisture damage.

CLEANING THE INTERIOR OF UNIT

- When cleaning the cabinet interior, use warm water and mild soap.
- Do not use steel wool, caustic soap, abrasive cleaners, or bleach that may

damage the stainless steel surface.

- Wash door gaskets on a regular basis, preferably weekly. Simply remove door gasket from the frame of the door, soak in warm water and soap for thirty (30) minutes, dry with soft cloth, and replace.
- Check door gaskets for proper seal after they are replaced.
- Periodically remove the shelves and clips from the unit and clean them with mild soap and warm water. To remove the clips, first remove the shelves and shelf brackets. Then, simply lift the clip up and out.

WARNING

**Disconnect power cord before cleaning any parts of the unit or
will not use the appliance for long periods of time!**

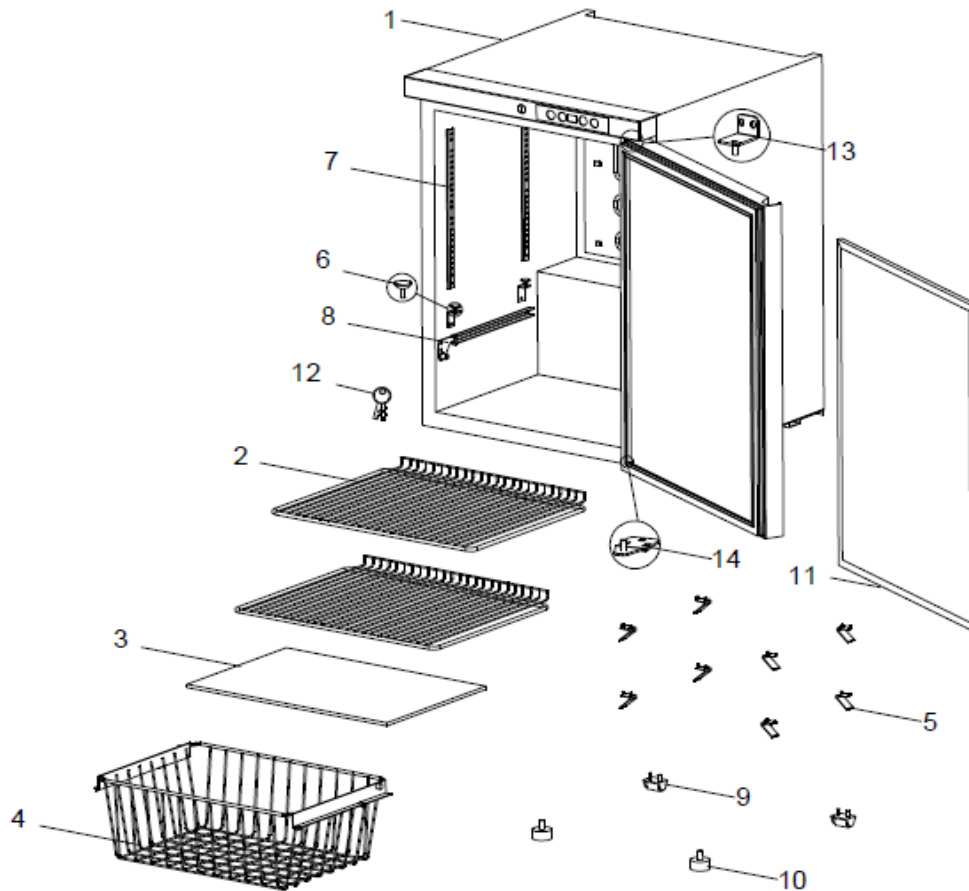
TROUBLE SHOOTING

Before requesting any service on your unit, please check the following points. Please note that this guide serves only as a reference for solutions to common problems.

SYMPTOM	POSSIBLE CAUSE	CORRECTIVE ACTION
Compressor not running.	Fuse blown or circuit breaker tripped. Power cord unplugged. Thermostat set too high.	Replace fuse or reset circuit breaker. Plug in power cord. Set thermostat to lower temperature. Replace Temp Sensor / Display
Condensing unit runs for long periods of time.	Excessive amount of warm product placed in cabinet. Prolonged door opening or door ajar. Door gasket(s) not sealing properly. Dirty condenser coil.	Allow adequate time for product to cool down. Ensure doors are closed when not in use. Avoid opening doors for long periods of time. Ensure gaskets are snapped in completely. Remove gasket and wash with soap and water. Check condition of gasket and replace if necessary. Clean the condenser coil.

	Evaporator coil iced over.	Unplug unit and allow coil to defrost. Make sure thermostat is not set too cold. Ensure that door gasket(s) are sealing properly.
Cabinet temperature is too warm.	<p>Thermostat set too warm.</p> <p>Blocking air flow.</p> <p>Excessive amount of warm product placed in cabinet.</p> <p>Fuse blown or circuit breaker tripped.</p> <p>Dirty condenser coil.</p> <p>Prolonged door opening or door ajar.</p> <p>Evaporator coil iced over.</p>	<p>Set thermostat to lower temperature.</p> <p>Re-arrange product to allow for proper air flow. Make sure there is at least four inches of Clearance from evaporator.</p> <p>Allow adequate time for product to cool down.</p> <p>Replace fuse or reset circuit breaker.</p> <p>Clean the condenser coil.</p> <p>Ensure doors are closed when not in use. Avoid opening doors for long periods of time.</p> <p>(see above)</p>
Cabinet is noisy.	<p>Loose part(s).</p> <p>Tubing vibration.</p> <p>Fan is unbalanced.</p>	<p>Locate and tighten loose part(s).</p> <p>Ensure tubing is free from contact with other tubing or components.</p>
Fridge not cooling but internal lights are on	Compressor or Relay's Have Failed	<p>If the compressor is hot, the compressor has failed.</p> <p>If the compressor is cold, the relay's failed. Replaceable Part.</p>

Parts Diagram



Parts List

Number	Parts Number	Description	Quantity
1	ORFR001	Cabinet	1
2	ORFR002	Upper Shelf	2
3	ORFR003	Glass Shelf	1
4	ORFR004	Basket	1
5	ORFR005	Shelf Support Clip	8
6	ORFR006	Glass Shelf Protective Pad	4
7	ORFR007	Shelf Bracket	4
8	ORFR008	Slide Set	1
9	ORFR009	Caster	2
10	ORFR010	Level Adjuster	2
11	ORFR011	Door Gasket	1
12	ORFR012	Door Key	2
13	ORFR013	Upper Hinge	1
14	ORFR014	Bottom Hinge	1