



**HOT AIR PLENUM KIT**  
**4" x 10"**

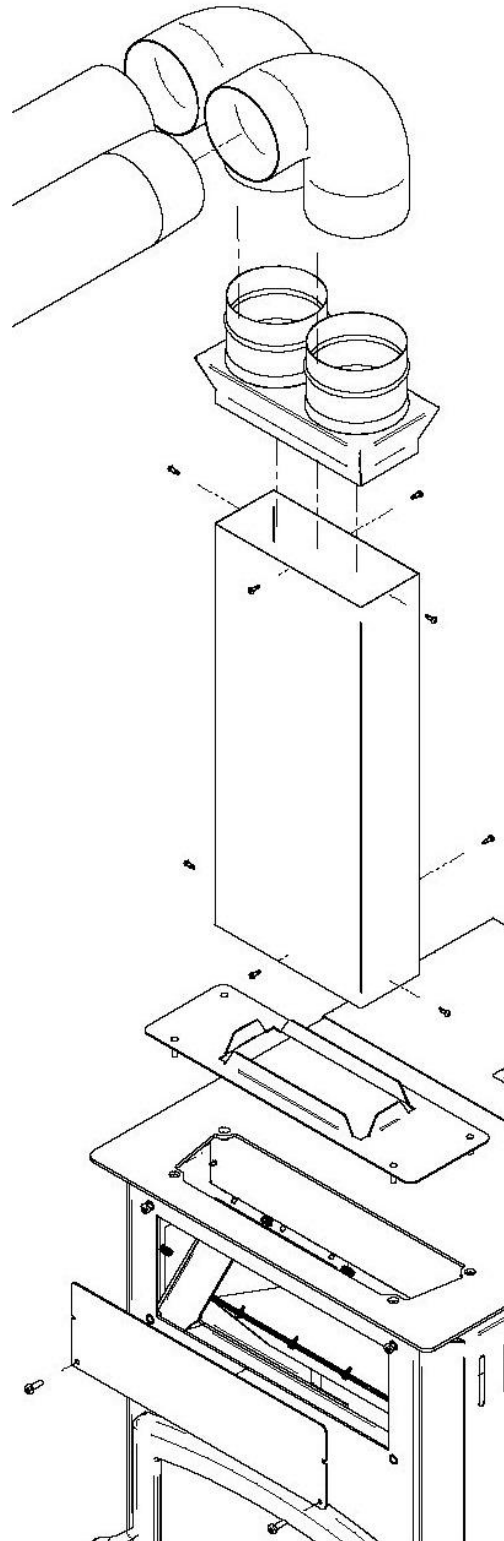
**AC01330**

---

**INSTALLATION**  
**INSTRUCTIONS**

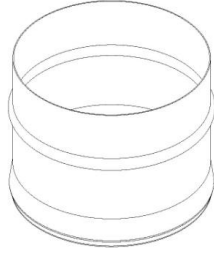
---

**Stove Builder International Inc.**  
250, rue de Copenhague  
Saint-Augustin-de-Desmaures Quebec,  
Canada G3A 2H3



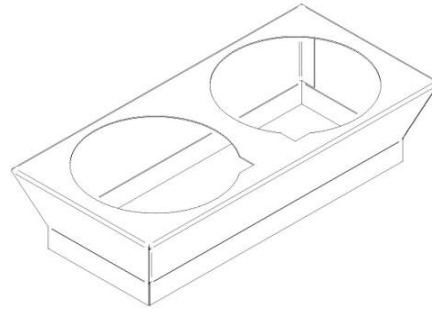
**This hot air plenum kit contains the following parts:**

(A)-49068



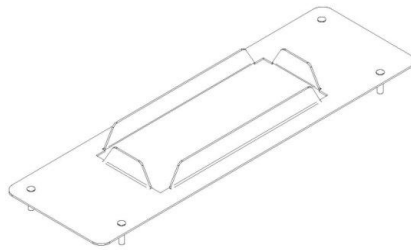
**2x**

(B)-PL62444



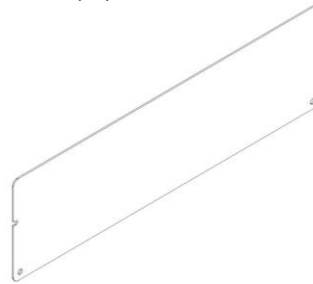
**1x**

(C)-SE62443



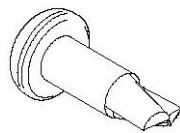
**1x**

(D)-PL62446



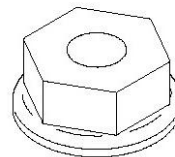
**1x**

(E)-30159



**8x**

(F)-30220



**4x**

**Other required parts (not included):**

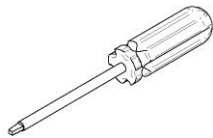
**WARNING:** All parts used must be at least 325°F resistant.

(G)	Galvanized hot air plenum 4" x 10", length depending on your needs (15" minimum)*	
(H)	Angled elbow, depending on your needs*	
(I)	5" semi-rigid tubing, 400°F*	
	5" galvanized rigid tube, lengths depending on your needs*	
	5" aluminum insulated tube**	
(J)	Recommended universal floor outlet of 4" x 10" x 5" *	
(K)	Galvanized floor grill	

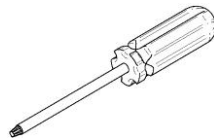
\* Metalized tape is not included but required to seal the joints.

\*\* Clamping ring and metalized tape are not included, but required to seal the joints.

**Tools required for installation:**



Robertson Screwdriver  
or



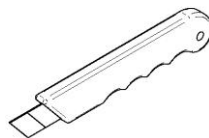
'Phillips' Screwdriver



Ratchet with 7/16" socket



7/16" Wrench



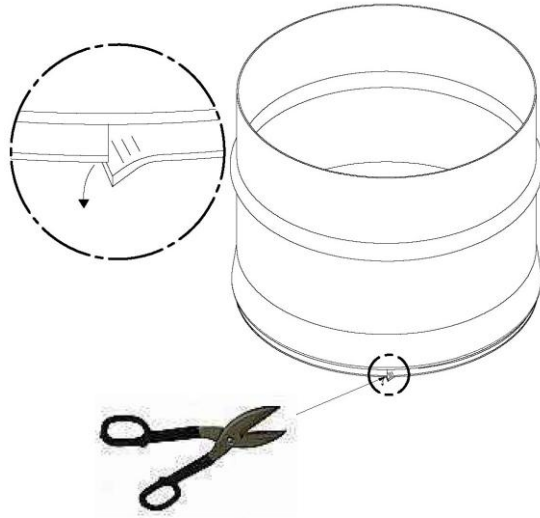
Utility knife



Cutting pliers

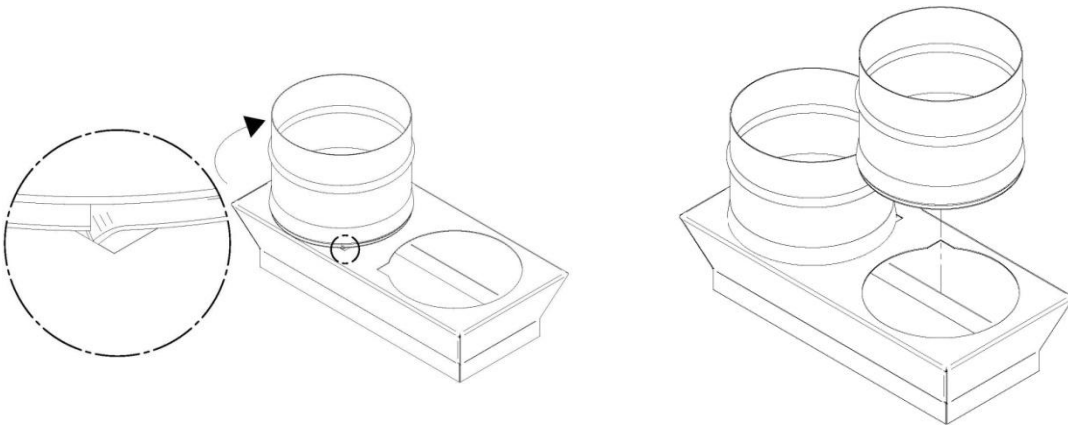
# 1

Make a cut into the bottom flange of the part (A), to make a thread effect on the adapter.



# 2

Insert the threaded shape cut of the part (A) in the notch of part (B) and rotate the part (A) clockwise until nesting is complete. Repeat step 1 and step 2 for the second part (A).

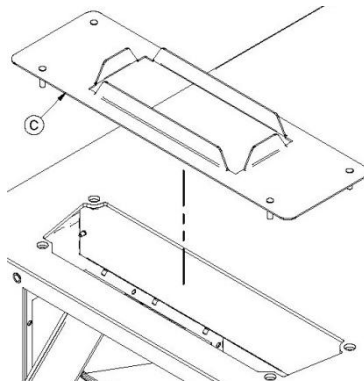


### 3

Remove the front and top decorative grills on the pellet stove using a screwdriver. Keep the screws and the front grill they will be needed in step 7.

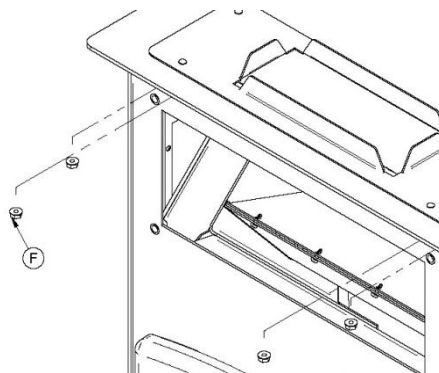
### 4

Place the hot air plenum adapter (C) on the top opening of the pellet stove and into the attachment holes designed for this purpose.



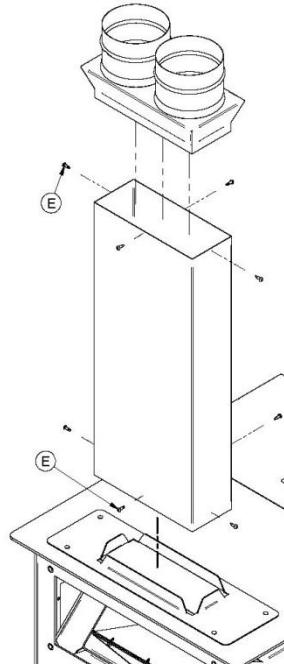
### 5

Secure the plenum adapter to the pellet stove top with self-locking nuts (F) supplied with this manual using a ratchet with 7/16" socket or simply a 7/16" wrench.



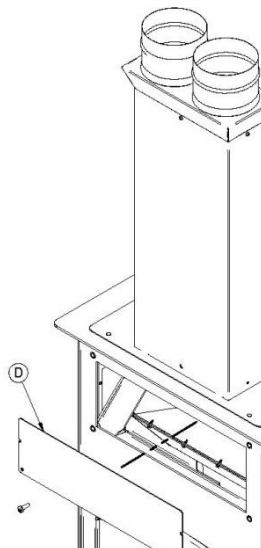
# 6

Cut the hot air plenum (not included) to the desired length while maintaining the clearances to combustible materials listed below and secure it to the adapter installed in step 5 using 4 self-drilling screws (E). Then secure the plenum outlet adapter, assembled in step 2, on top of the plenum using 4 self-drilling screws (E).

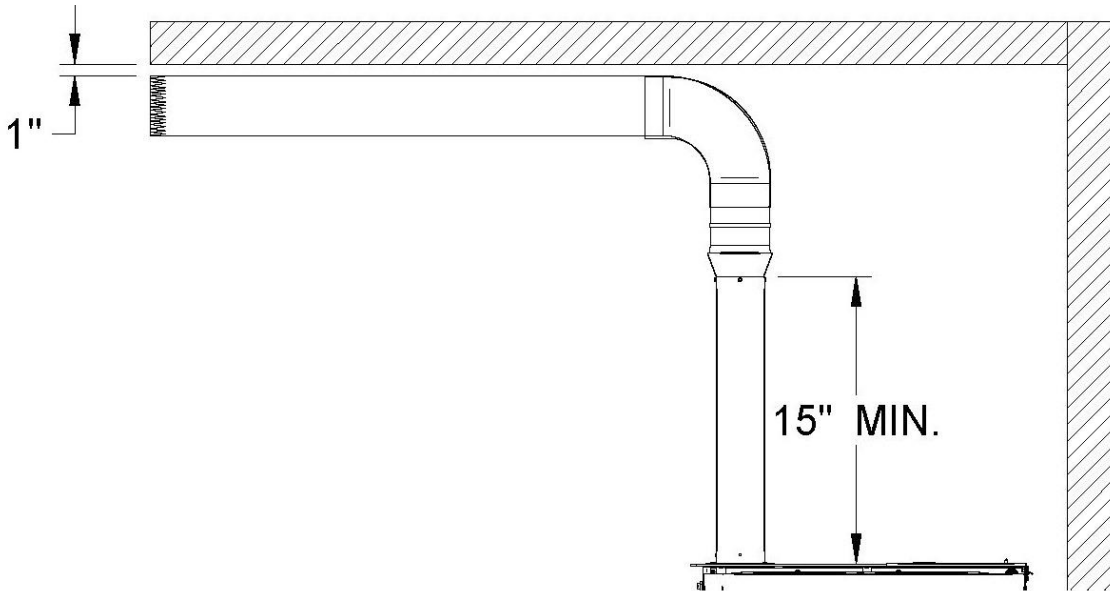


# 7

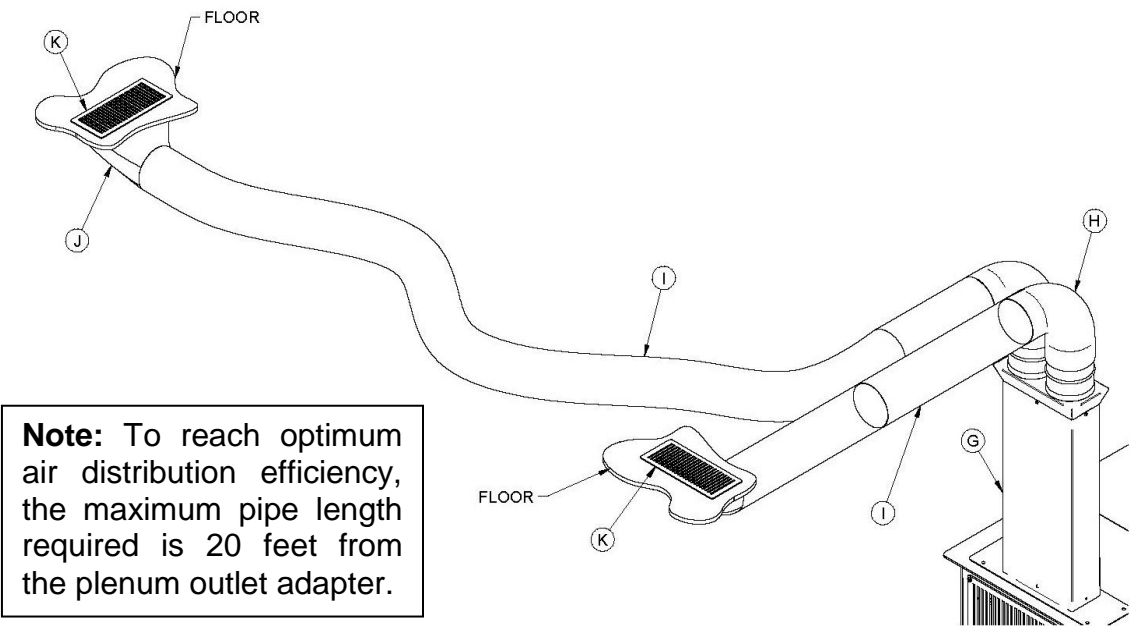
Block the front opening using the plate (D) provided in the accessory kit. To secure it, re-install the front decorative grill and secure it using the screws saved in step 3.



**WARNING:** During the installation, you must maintain a minimum of 1" clearance to combustibles on the entire length of the system and have a minimum hot air plenum height of 15 inches.



**Example of a system installation**



**Note:** To reach optimum air distribution efficiency, the maximum pipe length required is 20 feet from the plenum outlet adapter.

(I) – In regards to part (I) there are three different products you can use for your installation: semi-rigid tubing, galvanized rigid tubes or insulated aluminum tube. In all cases the material must be at least 325°F resistant and must respect the 1" clearance to combustibles mentioned above.