


WROUGHT IRON 4-PIECE FIREPLACE LOG HOLDER AND TOOL SET

GWC-463









Read this manual carefully before using this product. Save this manual for future reference.
Assemble components on a soft, clean surface to avoid damaging the finish.

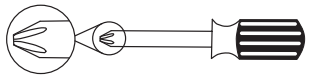
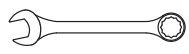
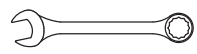


 Inspect packaging to ensure all parts are accounted for before disposing of packing materials.


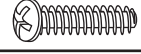



! HELPFUL HINTS

- Sunnydaze Decor advises reading this manual thoroughly and assembling the item soon after purchase.
- Do not fully tighten hardware until instructed to do so. If the hardware is tightened too soon, mounting holes may not align, and parts may not easily fit together.

No.	PARTS	QTY.
A	 Side Panel (L/R) <i>One panel has tool holder built in</i>	2
B	 Bottom Panel	1
C	 Back Panel	1
D	 Bottom Bar	2
E	 Top Bar	1
F	 Axle	1
G	 Wheel	2
H	 Tool Set	3pc

TOOLS REQUIRED (not included)		
 Phillips Screwdriver	 8mm Wrench	 14mm Wrench

! WARNING !
CHOKING HAZARD — This item contains small parts that can be swallowed by children. Keep children away during assembly.

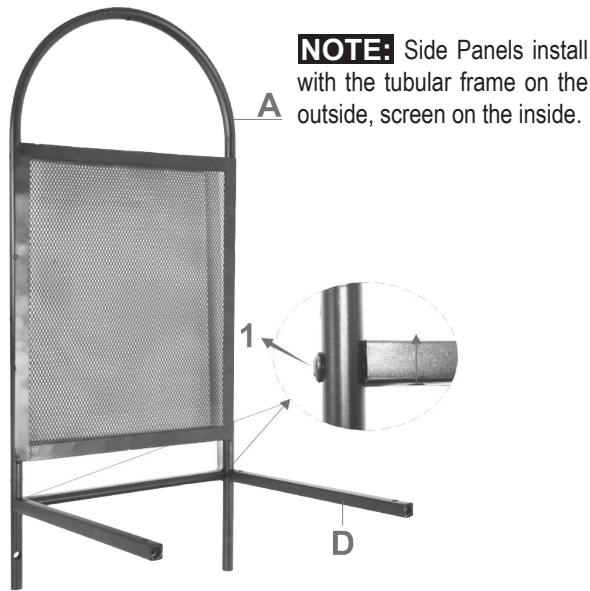
No.	HARDWARE	QTY.
1	 M6x30mm Bolt	4
2	 M5x25mm Bolt	12
3	 M5 Nut	12
4	 3/8" Nut	4
5	 Washer	4

ASSEMBLY

*Read carefully and understand assembly before beginning.
Do not fully tighten bolts until instructed to do so.*

STEP 1

A: 1
D: 2
1: 2

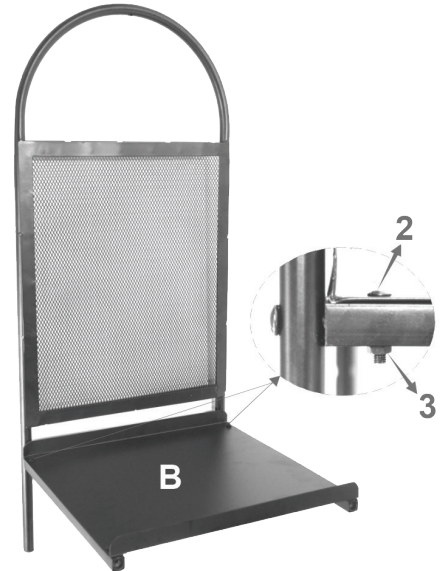


- Align Bottom Bar (D) with Side Panel (A). Loosely secure by hand-tighten M6x30mm Bolt (1).
- Repeat to loosely fasten the remaining bottom bar to the opposite side.

Do not fully tighten any bolts until after Step 4 is complete.

STEP 2

B: 1
2: 4
3: 4

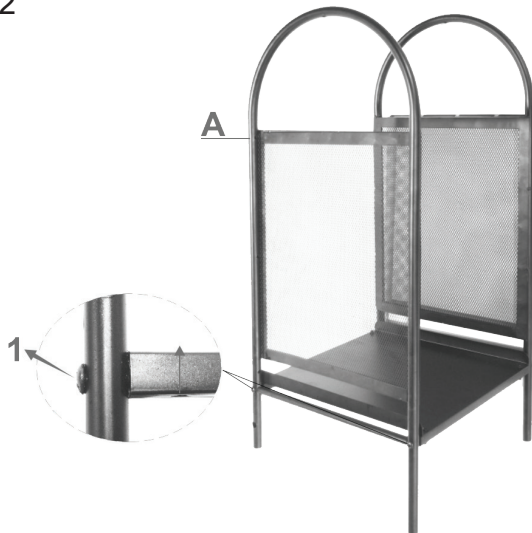


- With the ledge facing upward, and flush with the side panel, secure Bottom Panel (B) to the bottom bars using four M5x25mm Bolts (2) and four M5 Nuts (3).

Do not fully tighten any bolts until after Step 4 is complete.

STEP 3

A: 1
1: 2



- Fasten remaining Side Panel (A) to the bottom bars by hand-tightening two M6x30mm Bolts (1).

Do not fully tighten any bolts until after Step 4 is complete.

STEP 4

C: 1
2: 6
3: 6



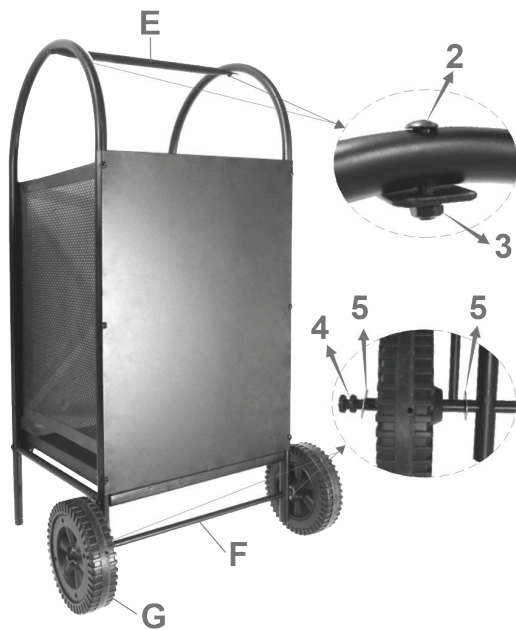
- Secure Back Panel (C) to the rear of the side panels using six M5x25mm Bolts (2) and six M5 Nuts (3).

Tighten all bolts after this step is complete.

STEP 5

E: 1
2: 2
3: 2

F: 1
G: 2
4: 4
5: 4



- Secure Top Bar (E) to the underside of the side frames by hand-tightening two M5x25mm Bolts (2) and two M5 Nuts (3), as shown.

- Run Axle (F) through the holes in the bottom of the side panels.
- Place one Washer (5) onto the axle, then Wheel (G), another Washer (5) and secure with one 3/8" Nut (4).
- Repeat previous step to attach remaining Wheel (G).

Care & Maintenance

SAFE USE: Only use on a flat, level surface. Do not stand or sit on the log rack.

GENERAL USE & CARE: Recommended for indoor use only. Manufacturer and seller are not liable for any damage resulting from exposure to outdoor elements. Damage from outdoor use and/or normal wear and tear is not covered by the 1-year product warranty.

INSPECT: Periodically check assembly points and tighten fittings as necessary. If handles on the tools become loose, simply re-tighten them by hand.

CLEANING: Use a damp cloth to clean. Do not use abrasive cleaners as doing so may cause parts to tarnish or rust.

! SAFETY STATEMENTS & WARNINGS !

- Do not exceed the weight capacity of the log rack.
- Supervise children at all times; do not allow children to play on or play with any part of this product.
- Firmly secure all hardware before use.
- Inspect hardware often and tighten as necessary.
- Do not use the brush to sweep live coals (embers).
- Do not use harsh chemicals or abrasive materials to clean this unit.
- This product is for residential use only; institutional or commercial use will void the warranty.

Any modification to the product or failure to follow recommended care will void the product warranty.

! WARNING!

Manufacturer and seller expressly disclaim any and all liability from personal injury, property damage or loss, whether direct or indirect, or incidental, resulting from the incorrect attachment, improper use, inadequate maintenance, or neglect of this product.