

CONTEMPORARY FIRE PIT


NB-130

Read the assembly instructions carefully and follow the care instructions. Save these instructions for future reference. Assemble components on a soft, clean surface to avoid scratching or damaging the finish.

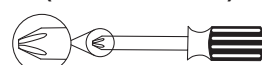


No.	PARTS	QTY.
A	Fire Bowl	1
B	Leg	4
C	Support Ring	1
D	Log Grate	1
E	Spark Screen	1
F	Grub Screw	3
G	Bolt	8
H	Poker	1



 Inspect packaging to ensure all parts are accounted for before disposing of packing materials.

TOOLS REQUIRED (NOT INCLUDED)

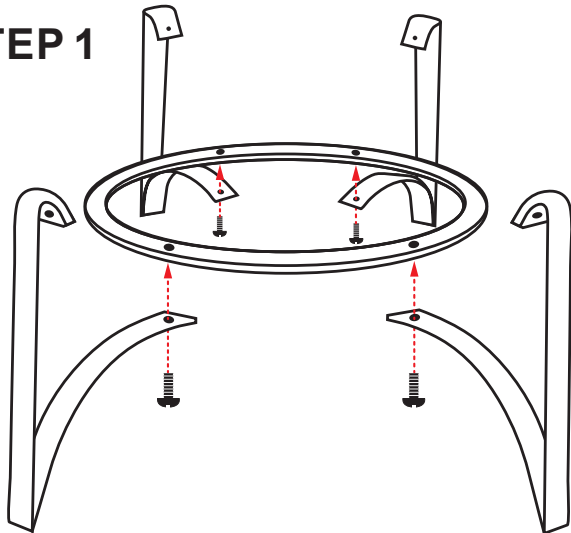


Phillips Screwdriver

ASSEMBLY

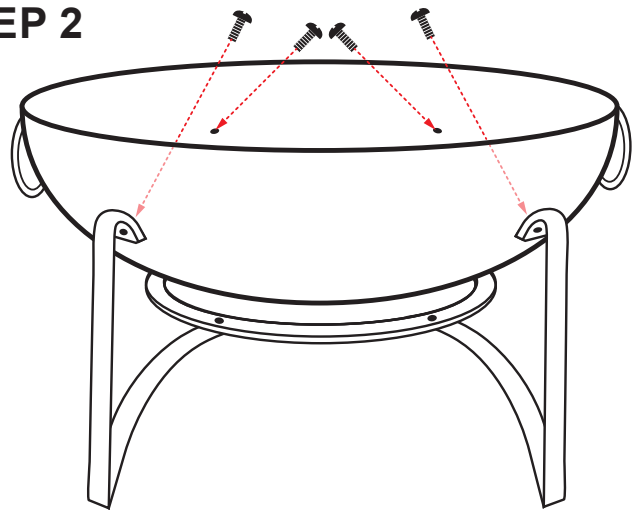
DO NOT FULLY TIGHTEN THE BOLTS BEFORE ASSEMBLING THE BASE & FIRE BOWL.

STEP 1



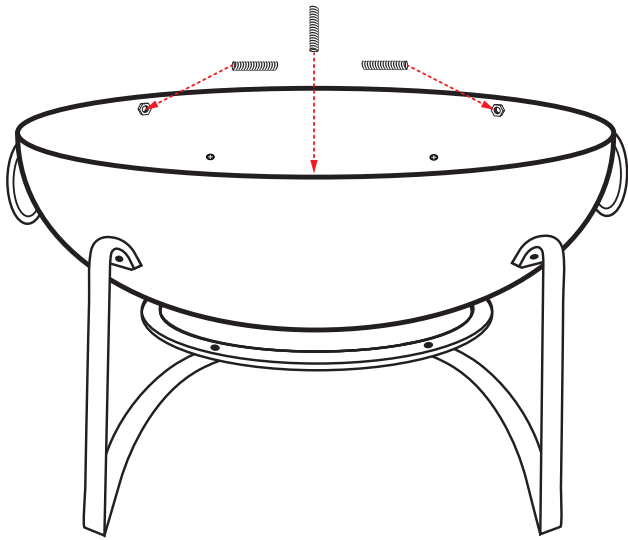
Align the holes on Legs (B) with the holes on Support Ring (C) and hand-tighten 4x Bolts (G).

STEP 2



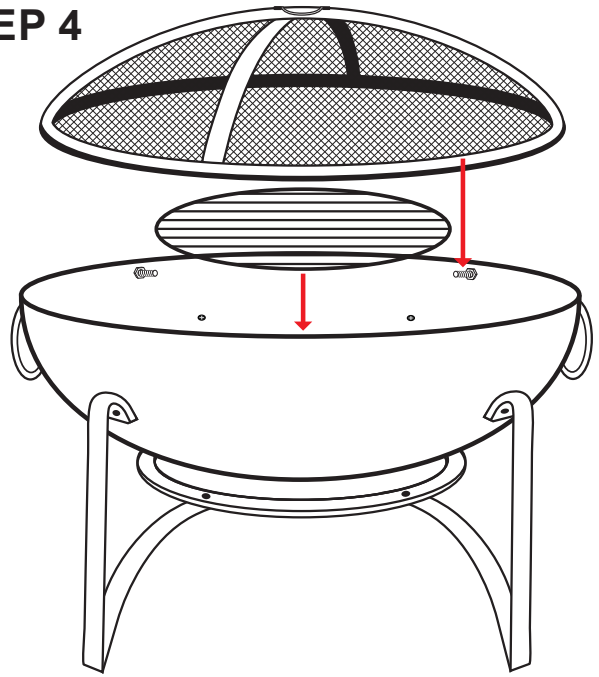
Align the holes in Fire Bowl (A) with the holes on the top of Legs (B). Hand-tighten 4x Bolts (G). Tighten all bolts with a Phillips screwdriver (not included).

STEP 3



Hand-tighten 3x Grub Screws (F) to the inside rim of Fire Bowl (A). DO NOT use tools to tighten the grub screws.

STEP 4



Place Log Grate (D) into Fire Bowl (A) and Spark Screen (E) onto Fire Bowl (A).

CARING FOR YOUR FIRE PIT:

Clean Regularly: All fire pits must be cleaned and inspected periodically. The ash produced in wood-burning fire pit must be cleaned out regularly. Never allow ash to accumulate in the bowl.

Clean Safely: Make sure the fire has completely died down and the metal is completely cool before you remove the ashes and cleaning the bowl.

Avoid Plastic: Never use any plastic materials in or nearby a fire pit. It is very difficult to remove the residue later, and the burning of this residue can cause the emission of toxic fumes.

Cover and Store: If you do not plan to use your fire pit for an extended period of time, cover and store it in a dry location; this will protect it from the elements and dust buildup. Do not allow the fire pit to be exposed to water. The manufacturer is not liable for rust due to weather conditions.

Extinguish: Let fires die down gradually, do not use water to put out a fire as this may cause the metal to crack from the sudden drop in temperature.

! SAFETY STATEMENTS & WARNINGS !

- For outdoor use only. Never use this product in an enclosed area.
- Always follow local laws and regulations when using wood-burning fire pits.
- Exercise the same care and precautions as you would with an open fire.
- Keep unit a safe distance away from buildings, balconies, or overhangs when in use.
- Only use this fire pit on a level, non-combustible surface.
- Do not use on or near combustible surfaces or structures such as wood decks, dry leaves or grass, mulch, vinyl or wood siding, etc.
- Keep away from all combustible materials including gasoline and other flammable liquids and vapors.
- Never use accelerants such as, but not limited to, gasoline, alcohol, paint thinners, kerosene, as this may cause serious injury or product damage.
- The fire pit becomes very hot when in use; let it completely cool before cleaning or moving.
- Keep out of reach of children.
- Do not overfill or use this unit to burn leaves or trash.
- Avoid using any fire pit during dry or windy conditions.
- Never leave unit unattended while hot or in use.
- Supervise children and pets when the fire pit is in use.
- DO NOT USE CHEMICAL-BASED CLEANERS as this may damage the product and/or ignite a flame during the next use.
- Extinguish the fire properly before leaving. Use a fire extinguisher or a bucket of sand to smother the fire if necessary. Do not use water to extinguish hot fires or embers as this may cause serious injury and may damage the product.
- Ashes can remain hot for a long time after fire is extinguished. Dispose of cold ashes properly.
- Ensure the unit is completely cool before covering, failure to do so will damage the cover and the unit.

Any modification to the product or failure to follow recommended care will void the product warranty.