



Thank you for choosing Sunnydaze Décor. If you have any questions, comments or concerns please feel free to contact us by phone at: **888-881-4668**, by email: customerservice@serenityhealth.com, or you could also email us via our contact us page at: www.SerenityHealth.com/contact-us/.

We stand behind our brand and the quality of the items we sell. We will send new parts, or replace products at our discretion within the one year warranty period. Before we can help, you will need to provide proof of purchase with the date of purchase and photos of the defective merchandise. We will use the photos to determine the cause of defect and for future quality control.

Assembly and Instruction Sheet

Important!

Please read and follow ALL instructions before assembling or using this product, particularly the safety statements. Failure to follow instructions and warnings could result in damage to property, serious injury or death.

WARNING!

- Outdoor use only. Never use in enclosed area. Use in unventilated areas will endanger your life.
- Do not use this unit on or near combustible surfaces or structures such as wood decks, dry leaves or grass, vinyl or wood siding, etc.
- Use on level, non-combustible surface only.
- Keep away from all combustible materials including gasoline and other flammable liquids and vapors.
- Never use flammable accelerants, such as: gasoline, alcohol, paint thinners, kerosene, etc. to start a fire. Serious injury or property damage could result.
- Screen lifting tool may become hot when in use! Failure to wear protective gloves may lead to injury.
- Always wear fire-resistant gloves when handling hot metal screen and lifting tool.
- Keep away from house, garage, balconies, or overhangs.
- Avoid using during dry or windy conditions.
- Keep out of reach of children.
- Do not overfill or use to burn leaves or trash.
- Exercise the same care you would with an open fire.
- Never leave unit unattended while hot or in use.
- Completely extinguish fire before leaving.
- Ashes can remain hot for a long time after fire is extinguished.
- Dispose of cold ashes properly.
- Any modification of the unit will void product warranty.

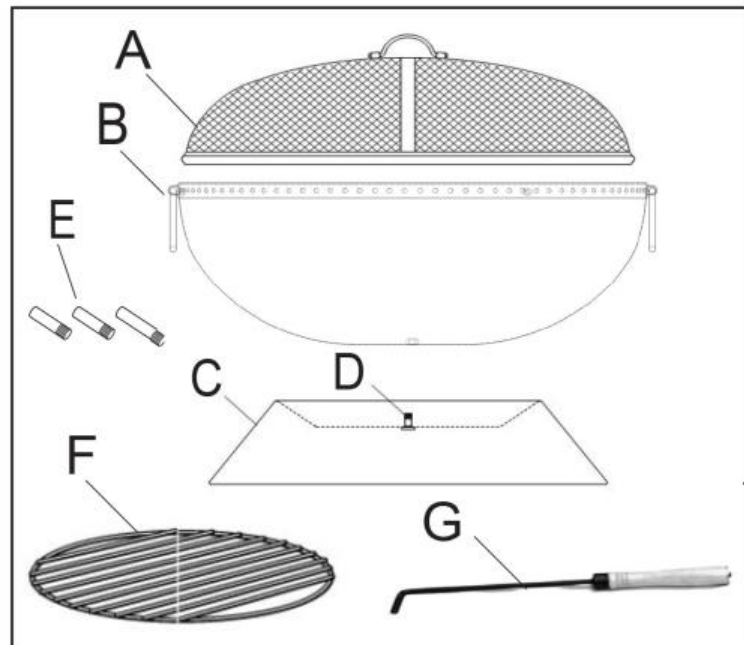
Contact local authorities regarding possible burn restrictions before using product.

Parts Check List

Tools Required:

- Phillips Head Screwdriver
- Adjustable Wrench

| Part # | Quantity | Part Description |
|--------|----------|---------------------|
| A | 1 | Spark Screen |
| B | 1 | Fire Bowl |
| C | 1 | fire bowl base |
| D | 1 | base bolt |
| E | 3 | screen clip bolt |
| F | 1 | Log Grate |
| G | 1 | Screen Lifting Tool |



Continued on Reverse

Assembly Instructions

Step 1:

Align Screen Clip Bolt (E) to bolt hole on interior of Bowl (B) rim. Secure Screen Clip Bolt by twisting into place. Hand tighten only. Repeat for remaining two Screen Clip Bolts.

Figure 1

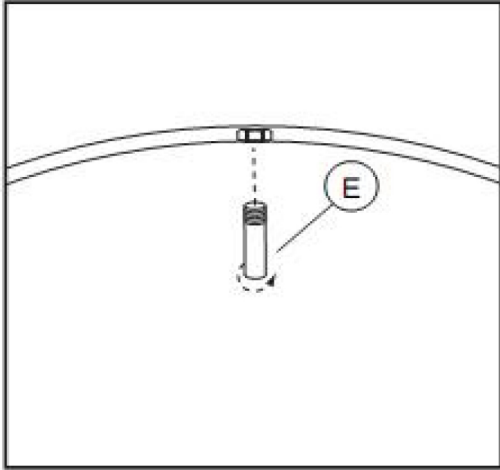
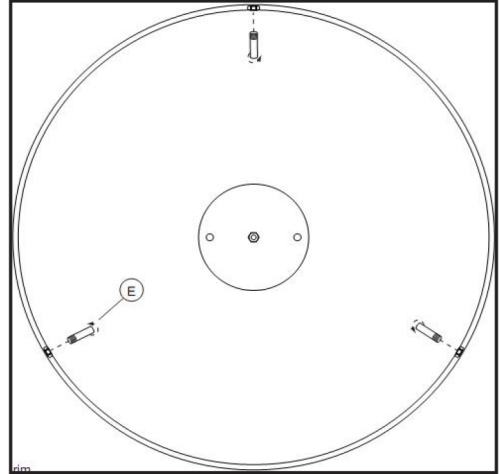


Figure 2



Step 2:

Center Bowl (B) over Bowl Base (C). Align underside Bowl Connector Nut to Base Bolt (D).

Carefully attach Bowl to Bowl Base by rotating Bowl on Base Bolt. NOTE: Be careful not to strip the threading of the base bolt or scratch the fire bowl finish by overtightening.

Place Log grate(F) into the bowl(B) and Spark Screen (A) on assembled fire bowl unit.

Figure 3

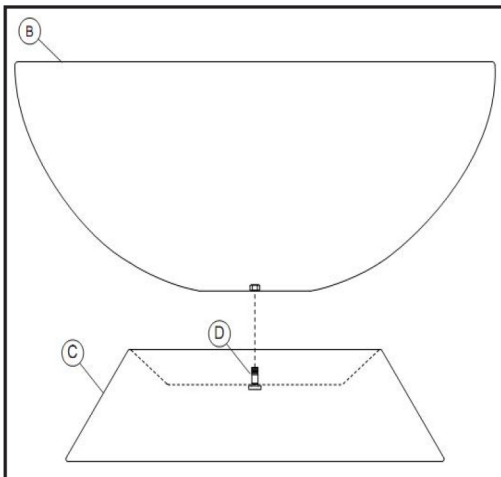
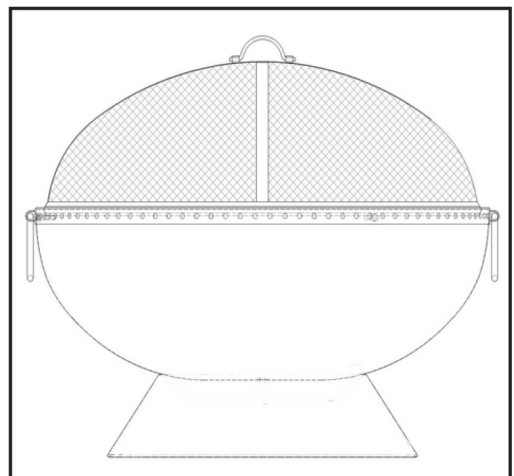


Figure 4



Please read and follow all Warnings and safety instructions before using.

General Care

- Fire bowl may be cleaned with water and mild detergent.
- Do not use abrasive detergents or pads to clean surround or fire bowl.
- As with any outdoor grill, periodic maintenance is required to return painted steel surfaces to original appearance. Remove any rust with sandpaper or steel brush and repaint with grill paint suitable for high-temperature surfaces. Follow manufacturer's instructions.