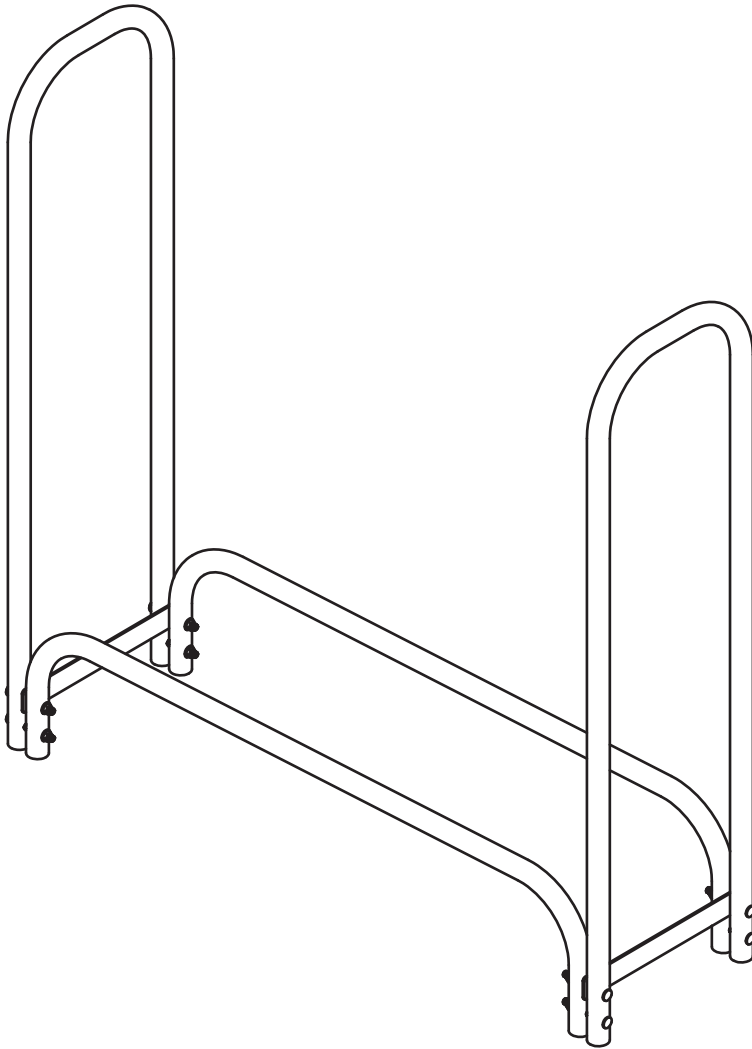


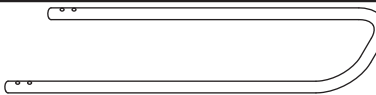
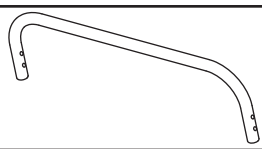




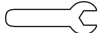
# 4-FOOT LOG RACK

## QX-4LR

Read assembly instructions carefully and follow the care instructions. Save this document for future reference.  
**Assemble components on a soft, clean surface to avoid scratching or damaging the finish.**



Inspect packaging to ensure all parts are accounted for before disposing of packing materials.

No.	PARTS	QTY.
A	 End Panel	2
B	 Rail	2
C	 Brace	2
D	 M6x27mm Bolt	8
E	 Lock Nut	8
F	 Washer	12
G	 Spanner	2

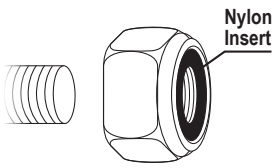
### **! WARNING !**

**CHOKING HAZARD** — This item contains small parts that can be swallowed. Keep children and pets away during assembly.

**! WARNING:** Manufacturer and seller expressly disclaim any and all liability from personal injury, property damage or loss, whether direct or indirect, or incidental, resulting from the incorrect attachment, improper use, inadequate maintenance, or neglect of this product.

# ASSEMBLY

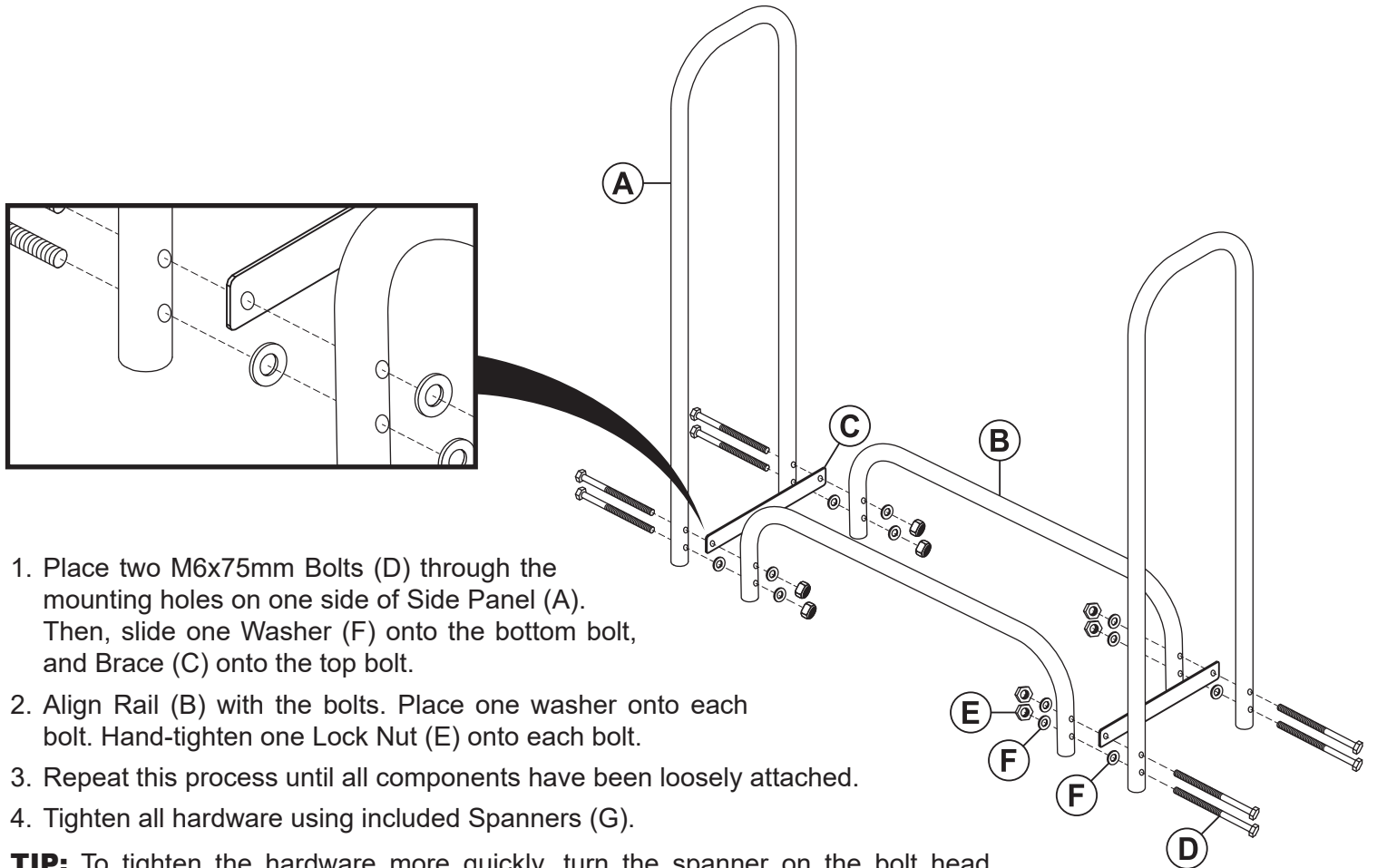
Review all information and understand assembly before beginning.



## ! HELPFUL HINT:

When installing a lock nut, make sure the raised center portion faces outward; the flat surface goes on first. Hand-tighten until you feel resistance, which is caused by the nylon insert.

After all components have been loosely assembled, use the included spanners to tighten the lock nuts.



1. Place two M6x75mm Bolts (D) through the mounting holes on one side of Side Panel (A). Then, slide one Washer (F) onto the bottom bolt, and Brace (C) onto the top bolt.
2. Align Rail (B) with the bolts. Place one washer onto each bolt. Hand-tighten one Lock Nut (E) onto each bolt.
3. Repeat this process until all components have been loosely attached.
4. Tighten all hardware using included Spanners (G).

**TIP:** To tighten the hardware more quickly, turn the spanner on the bolt head clockwise while simultaneously turning the spanner on the lock nut counterclockwise.

## ! SAFETY STATEMENTS & WARNINGS !

- Place log rack on a hard, dry surface.
- Do not overload the log rack — holds up to 1/2 face-cord of firewood.
- Ensure fittings are tight before use. Periodically check and tighten hardware as necessary.
- Protect the unit from outdoor elements with a cover. Cover not included.
- Do not allow children to play with or around the log rack.

Any modification to the product or failure to follow recommended care will void the product warranty.

## ! WARNING!

Manufacturer and seller expressly disclaim any and all liability from personal injury, property damage or loss, whether direct or indirect, or incidental, resulting from the incorrect attachment, improper use, inadequate maintenance, or neglect of this product.