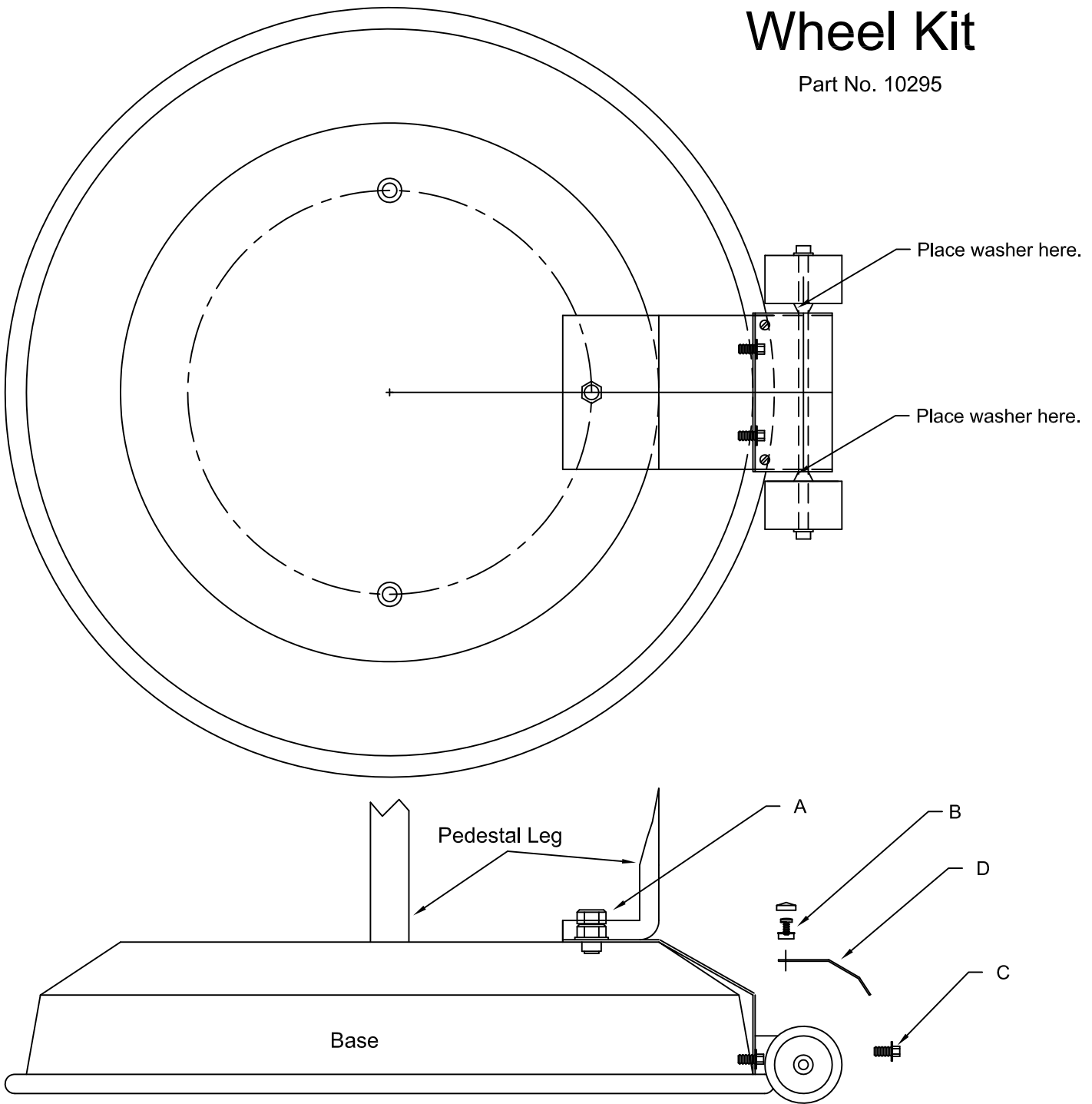


Wheel Kit

Part No. 10295



Wheel Kit Instructions

1. Remove bolt (A) securing center leg of pedestal.
2. Insert tongue of Wheel Chassis under the support-leg as shown and re-install bolt, but DO NOT tighten.
3. Align Wheel Chassis at right angle to support-leg.
4. Use screws (C) provided to secure Wheel Chassis to base. Tighten bolt (A) securing both pedestal leg and Wheel Chassis.
5. Secure Wheel Chassis cover plate (D) with the two screws (B) provided.