

Hey Alexa... Turn on my fireplace!



SKYTECH
CONTROL SYSTEMS

INTRODUCING THE 8001



Control your fireplace with your smart speaker using your favorite smart plug.

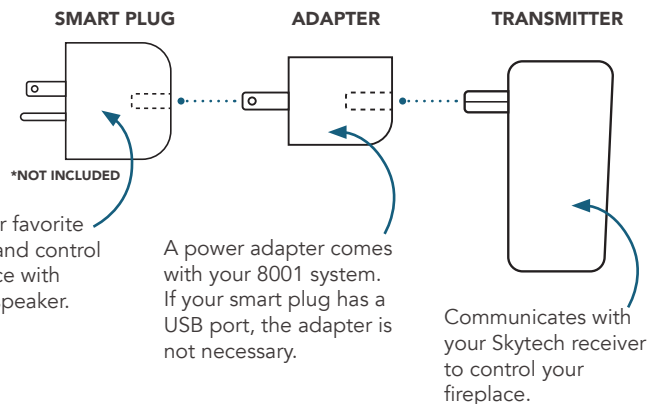
Operation is simple. When the smart plug is turned on it sends power to the 8001 transmitter, and your fireplace will turn on. When the smart plug is turned off the power is removed from the 8001 transmitter and your fireplace turns off.

Smart Plug Transmitter



The 8001 transmitter was designed to be used in conjunction with a smart speaker. It receives a power command to communicate with Skytech receiver.

How it works



Choose your favorite smart plug and control your fireplace with your smart speaker.