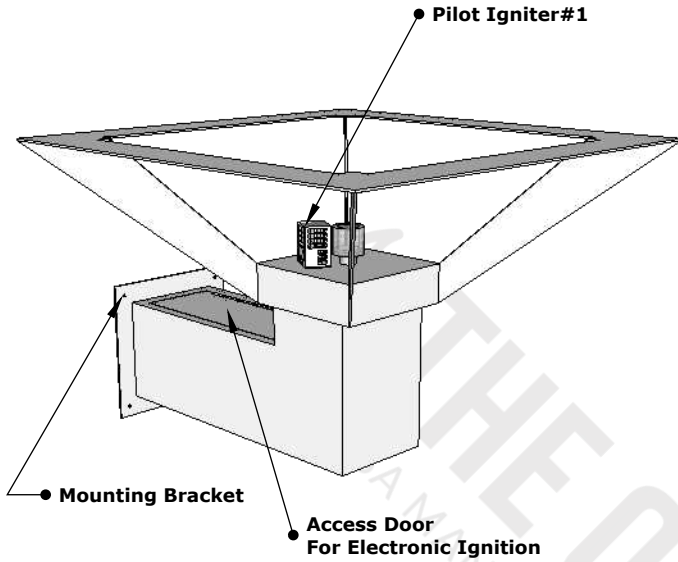
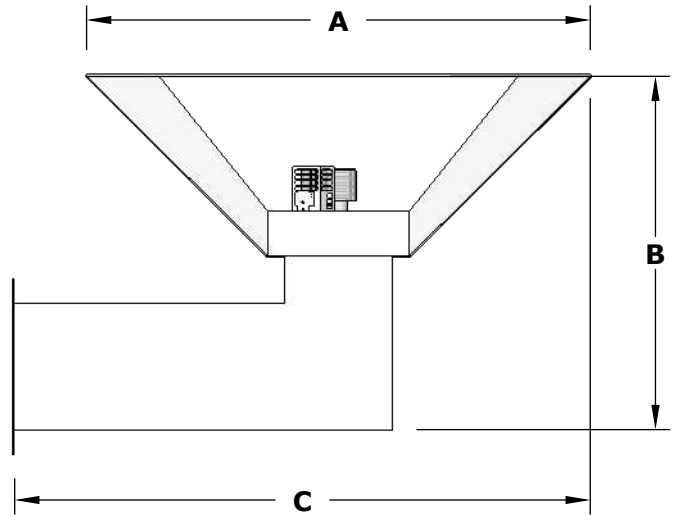


Maverick Fire Torch

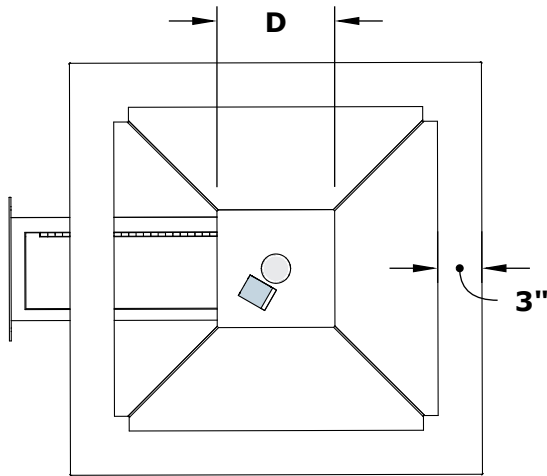
Powder Coat



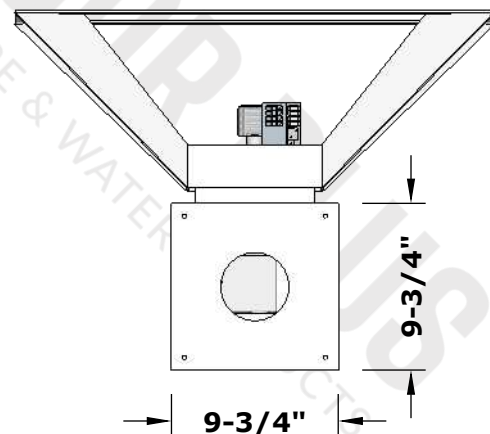
ISOMETRIC VIEW



TOP VIEW



RIGHT SIDE VIEW



FRONT SIDE VIEW

| PART NUMBER | A | B | C | D | BTU |
|-----------------|-----|-----|-----|----|--------|
| OPT-MAVPC24E12V | 24" | 20" | 26" | 8" | 45,000 |
| OPT-MAVPC30E12V | 30" | 20" | 32" | 8" | 45,000 |
| OPT-MAVPC36E12V | 36" | 20" | 38" | 8" | 45,000 |

Fire Torch Material: Powder Coat Steel

12v Ignition Unit Includes: 12V Electronic Valve, Pilot Igniter, Torch, Mount



12V ELECTRONIC IGNITION
ANSI Z21.97-(2017) / CSA 2.41-(2017)

Proprietary & Confidential: The information contained in this drawing is the sole property of **The Outdoor Plus**. Any reproduction or as a whole without written permission of **The Outdoor Plus** is prohibited.