

Installation and Operation Instructions Stone Age Caminetto™ Medeo Fireplace-Pizza Oven Combo



1.0 Introduction

The following provides instructions for the installation and operation of the Stone Age Caminetto™ Series Fireplace-Pizza Oven Combo, manufactured by Stone Age Manufacturing, Collinsville, Oklahoma.

Three generations of fireplace knowledge and experience have gone into the design and construction of the Caminetto™ Series.

Assembly and Cutaway views of a SA-CMO63 fireplace-pizza oven are shown in Figure 1.

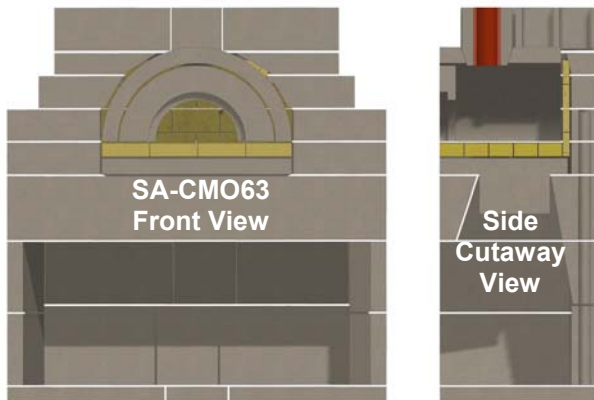


Figure 1.
SA-CMO63 Assembly & Cutaway View

It is recommended that this fireplace be installed by a professional installer, or by a builder in new construction. Installation by a non-qualified person may negate the warranty.

Keep these instructions for future use.

2.0 Description

The fireplace-pizza oven combo is delivered as a kit with all components necessary to complete the rough-in installation.

The kit will be delivered on 3 forklift pallets, and should be assembled in order by pallet number. It is recommended that each pallet be inspected for damage upon arrival, but that all components are kept together on their original pallets until it is time for the pallet's assembly.

Figure 2 shows the kit component arrangements, with each pallet's contents numbered in a different color.

Pallet 1 (Red numbers) includes the main firebox components of the fireplace and its firebrick.

Pallet 2 (Blue numbers) contains the back wall components of the fireplace throat and the pizza oven, and two types of firebrick for the pizza oven.

Pallet 3 (Yellow numbers) contains the front wall components of the fireplace throat and chimney flue.

A larger view of Figure 2 is repeated on page 16 of this document. Component names are listed in Table 1. Specifications and clearance recommendations are shown in Table 2.

A completed installation should include the following:

- A. Fireplace items shown in Figure 2 and listed in Table 1.
- B. Chimney Cap (sold separately) (Shown in Figure 24).
- C. Fireplace Grate (sold separately) (Shown in Figure 28).
- D. Stone Age Multi-Purpose Ready-Mix Cement (sold separately).

The Stone Age Caminetto™ fireplace-pizza oven combo has designed for outdoor use.

Ensure that appropriate building permits required by local codes are obtained before installation.

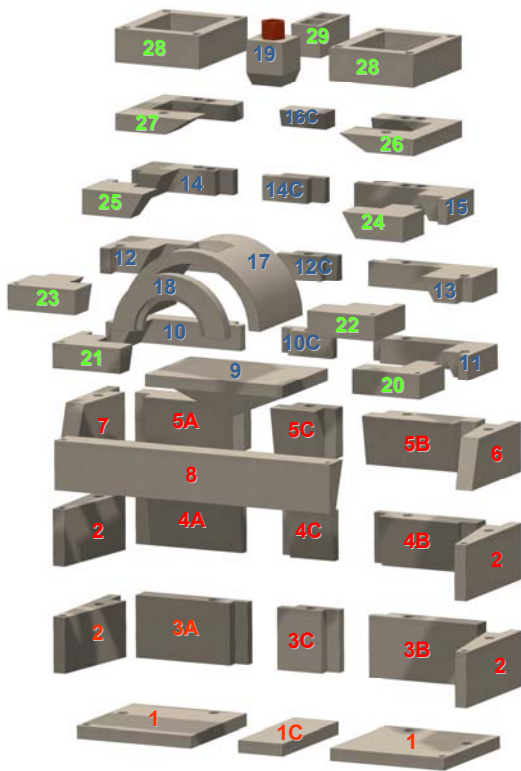


Figure 2. Kit Components

Table 1. Kit Components

Item	Description
1	Base Plate
1C	Base Plate Extension
2	Lower & Middle Sidewall
3A	Lower Back Plate - Left
3B	Lower Back Plate - Right
3C	Lower Back Plate - Center Extension
4A	Middle Back Plate - Left
4B	Middle Back Plate - Right
4C	Middle Back Plate - Center Extension
5A	Upper Back Plate - Left
5B	Upper Back Plate - Right
5C	Upper Back Plate - Center Extension
6	Upper Slanted Sidewall - Right
7	Upper Slanted Sidewall - Left
8	Front Header
9	Oven Base Plate
10	Lower Throat - Left Rear
10C	Lower Throat - Center Rear Extension
11	Lower Throat - Right Rear
12	Lower Mid Throat - Left Rear
12C	Lower Mid Throat - Center Rear Extension
13	Lower Mid Throat - Right Rear
14	Middle Throat - Left Rear
14C	Middle Throat - Center Rear Extension
15	Middle Throat - Right Rear
16C	Throat Cap - Center Rear Extension
17	Oven Dome
18	Oven Front Panel
19	Oven Chimney Flue
20	Lower Throat - Right Front
21	Lower Throat - Left Front
22	Lower Mid Throat - Right Front
23	Lower Mid Throat - Left Front
24	Middle Throat - Right Front
25	Middle Throat - Left Front
26	Throat Cap - Left
27	Throat Cap - Right
28	Chimney Flue Outer Block
29	CMU Block

2.1 Specifications

Table 2: Clearances (See Figure 3)
Caminetto™ Fireplace-Pizza Oven Combo

Item	Clearance
Backwall	3"
Sidewalls	3" to Appliances 18" from Fireplace opening at points in front of fireplace
Floor: Non combustible extending as follows	20" when hearth is less than 6" from floor 18" when hearth is greater than 6" from floor
Side Trim	6" from fireplace opening
Hearth	20" in front of the opening and 12" beyond each side
Clearance around chimney	3"

Note 1: This Fireplace is intended for use with solid wood fuel or vented gas logs.

Note 2: This fireplace has not been tested for use with glass doors.

Note 3: Do not use fireplace insert or other products not specified for use with this model. Use a fireplace grate when burning wood. A grate is not used in the oven.

Note 4: Clay flue liners installed in flue section meet the specifications of ASTM Section C315-02.

Note 5: Ensure installation complies with local building codes.

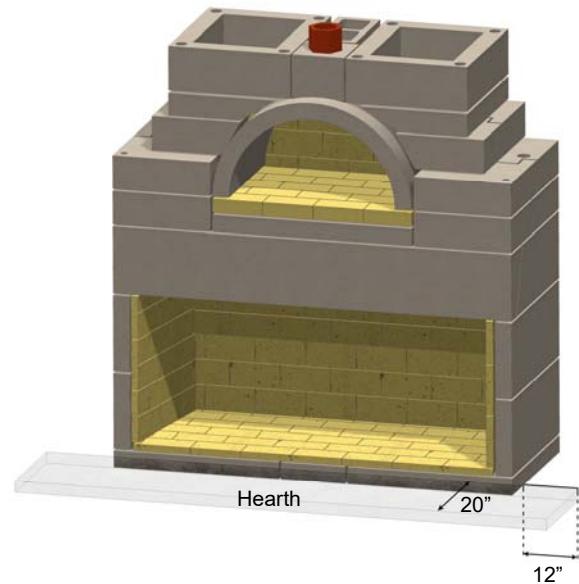


Figure 3. Clearances (Use with Table 2)

2.2 Installation of Additional Equipment

WARNING: THIS FIREPLACE HAS NOT BEEN TESTED FOR USE WITH DOORS. TO REDUCE THE RISK OF FIRE OR INJURY, DO NOT INSTALL GLASS DOORS.

- A. Do not install a fireplace insert unless it is tested with this fireplace.
- B. Cutting or drilling a hole into the fireplace's floor or walls for gas supply for a vented decorative gas appliance (log), or an ash dump, is acceptable.
- C. If a decorative gas appliance is installed, it must be installed in accordance with the National Gas Fire Code, ANSI Z223.1.
- D. It must incorporate an automatic shutoff device.
- E. Installation must comply with the Standard for Decorative Gas Appliances in Vented Appliances, ANSI Z21.60 (1991) or American Gas Association draft requirements for Gas-Fired Log Lighters for Burning Fireplaces, Draft No. 4 dated August 1993.

3.0 Installation of the Fireplace

WARNING: DO NOT USE SUBSTITUTE MATERIALS IN THE ASSEMBLY, INSTALLATION OR OPERATION OF THIS FIREPLACE. TO DO SO WILL VOID THE WARRANTY AND MAY RESULT IN FIRE AND PERSONAL INJURY.

It is most important that the Stone Age fireplace be installed according to the following instructions. It is also important that local building codes be consulted and followed. Improper installation could result in:

- Overheating, leading to fireplace failure
- Cracks and settling because of poor foundations
- Combustion of materials adjacent to the fireplace.

WARNING: THIS FIREPLACE HAS NOT BEEN TESTED WITH AN UNVENTED GAS LOG SET. TO REDUCE THE RISK OF FIRE OR INJURY, DO NOT INSTALL

AN UNVENTED GAS LOG SET INTO THIS FIREPLACE.

Do not install this fireplace in a manufactured or mobile home.

3.1 Preparations

Select a location in the home plans or outdoor living area where all the minimum distances, as shown in Table 2 and Figure 3 can be met. Proceed as follows. Numbers in () are item numbers from Table 1 and Figure 2. Ensure the base on which the fireplace is to be installed is a solid and level foundation and is composed of non-combustible material, such as concrete.

Due to varying climates, soil conditions, building codes, construction methods and materials in different geographical regions, Stone Age recommends installers review local building codes, consult with local building officials and/or a structural engineer before beginning the construction of any Stone Age product.

Pad or footings should be a monolithic pad constructed of steel reinforced concrete. Minimum footing specifications for fireplaces built on stable soil, with overall height not exceeding 10 feet, are listed in Table 3. Locations with unstable soil may require a deeper footing or the addition of piers, to reach more stable subsoil or bedrock. Areas with colder climates may also require deeper footings or piers that reach below the frost line to prevent frost heaving. Piers should include steel reinforcement that extends into the footing above. See Figure 4.

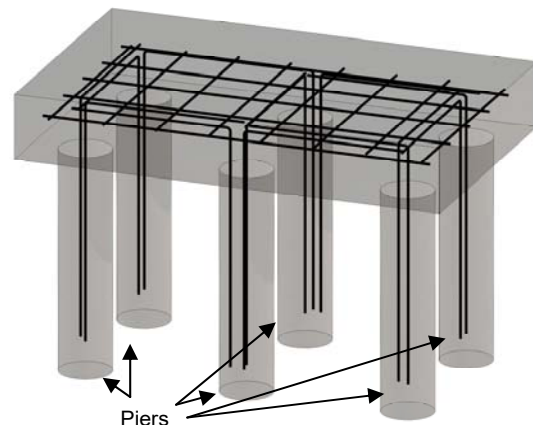


Figure 4. Footing with Piers - Cutaway View

For taller applications, consult with an engineer to determine the structural requirements based on the overall height, and the weight of fireplace, chimney, and finish materials. If custom hearths or additional

masonry structure is to be attached to the fireplace kit, the footing dimensions should be adjusted to include these customizations.

If local building code exceeds the manufacturer's specifications for footings, follow the local code.

Use Stone Age's Multi-Purpose Ready-Mix, or another high temperature fire clay or refractory cement suitable for indoor or outdoor use, and mix according to manufacturer's instructions.

Once the fireplace-oven is constructed you must wait at least 28 days before building a fire to give adequate time to cure. This will provide ample time for any water residue to evaporate, eliminating the adverse reaction of the combination of water and fire.

Stone Age products are designed to be assembled using a 3/8" fully bedded mortar joint for the kit pieces. Do not "butter the edges" of the kit pieces.

3.2 Assembly of Components

Components that become broken during shipment and handling can be mortared back together providing the breaks or cracks are clean and the original alignment can be maintained. Components broken into multiple pieces must be replaced.

The Caminetto™ ships as 3 pallets of material, which must be assembled in numerical order. Begin with pallet 1, then add the components from pallet 2, and finish with the components from pallet 3. It is recommended that you keep each pallet of materials together until you are ready to install that pallet. The components of Pallet 1 are shown in figure 5.

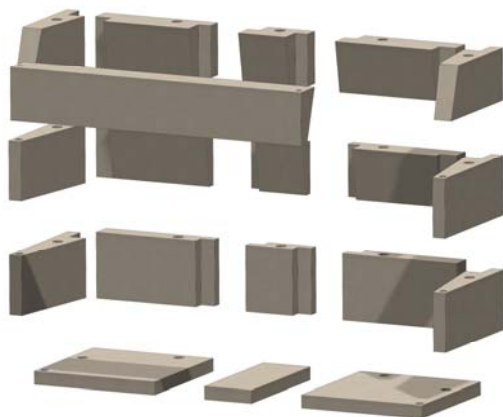


Figure 5. Pallet 1 Components

A. Start assembly with pallet 1. Begin kit assembly by setting the base plate pieces (1 & 1C) on the

footing. Use a 3/8" joint of mortar between each section, or slightly more if needed to reach the proper overall width of 72" for this model. Level the pieces from side to side and front to back. See Figure 6.

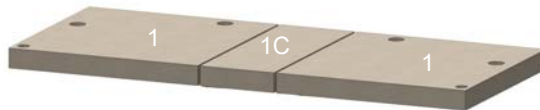


Figure 6. Base Plate

B. On the first level, install the sidewalls (2) first, then the back plates (3A, 3B, 3C). Use 3/8" joint of mortar between each section, and repeat with all remaining assembly steps, except for the firebrick. Note that the back plates will be taller than the sidewalls at this level. Smooth out mortar and ensure sections remain level. See Figures 7 and 8.



Figure 7. Bottom Sidewalls

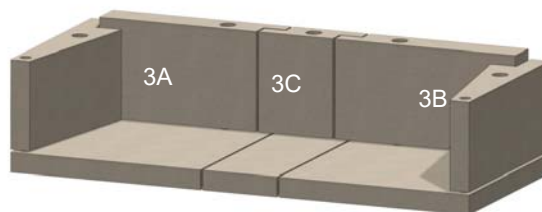


Figure 8. Lower Back Plates & Sidewalls

C. Install the second level sidewalls (2), followed by the middle back plate pieces (4A, 4B, 4C). See Figures 9 and 10.

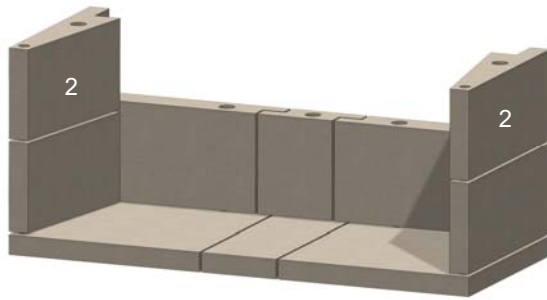


Figure 9. Middle Sidewalls

D. Lay a straightedge across the left and right sidewall to ensure plumb and level are maintained.

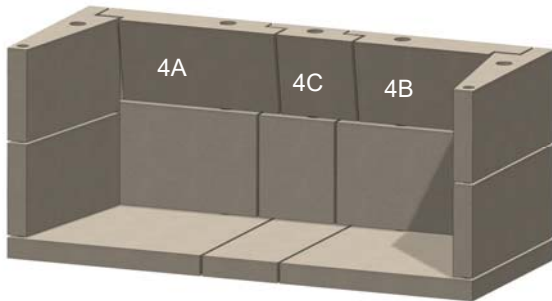


Figure 10. Middle Back Plates

E. Install the slanted sidewalls (6 and 7), and the upper back plates (5A, 5B, 5C). Check the sides and the top with a level. See Figures 11 and 12.



Figure 11. Upper Sidewalls

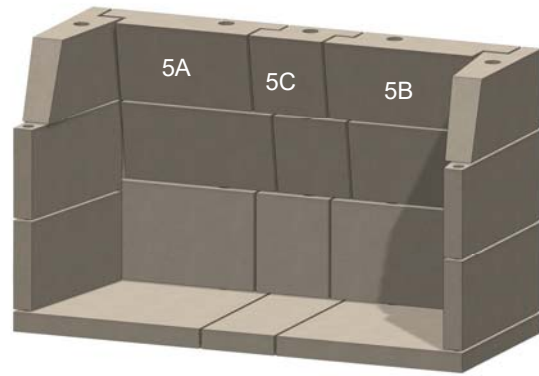


Figure 12. Upper Back Plates

F. After installation of the back plates and sidewalls, install the firebrick inside the firebox, using full brick (2 1/2" thick) on the floor and split (1 1/4" thick) firebrick on the walls, with 1/8-inch mortar joints. Cover the floor with 1/8-inch high temperature cement and install the floor before other surfaces. On the side walls and back wall, lay the brick on its sides. Stack brick until it is 1 1/2" to 2" higher than the middle back plates (4A, 4B, 4C). The red line shown is an approximate guideline. See Figures 13, 14, and 15.

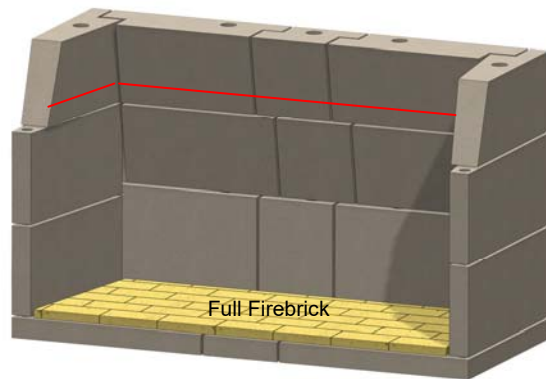


Figure 13. Firebrick Floor Installation

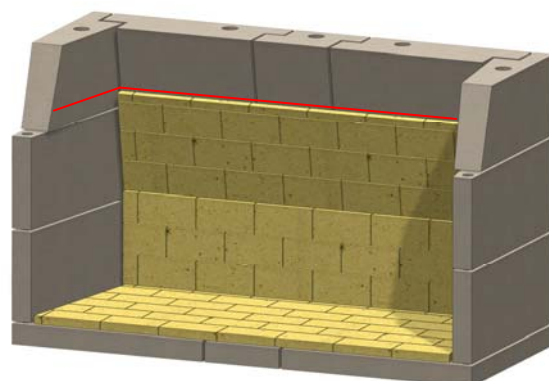


Figure 14. Firebrick Back Wall

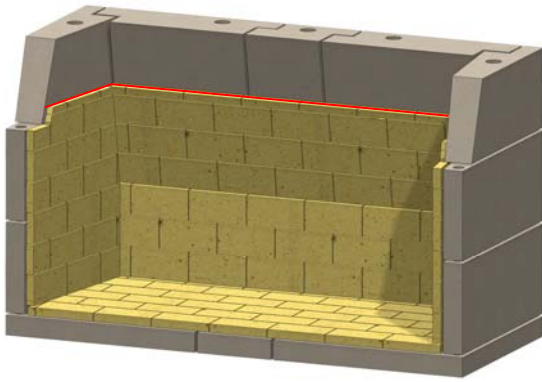


Figure 15. Firebrick Side Walls

G. After fire brick installation is complete, install the front lintel (8). See Figure 164.

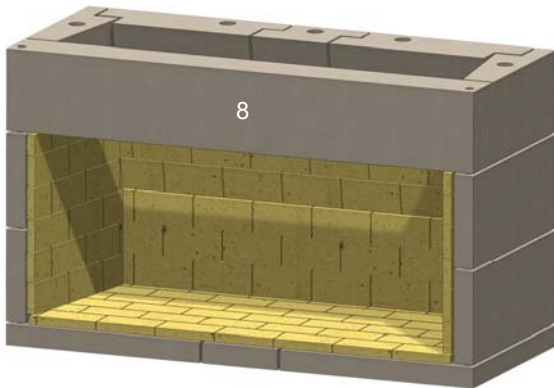


Figure 16. Lintel

H. Stage components of pallet 2 in preparation for assembly. The components of pallet 2 are shown in Figure 17.

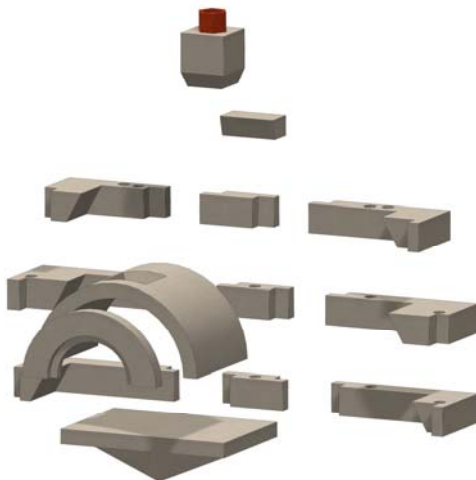


Figure 17. Pallet 2 Components

I. Install pizza oven base plate (9), checking to ensure it is level. See Figure 18.

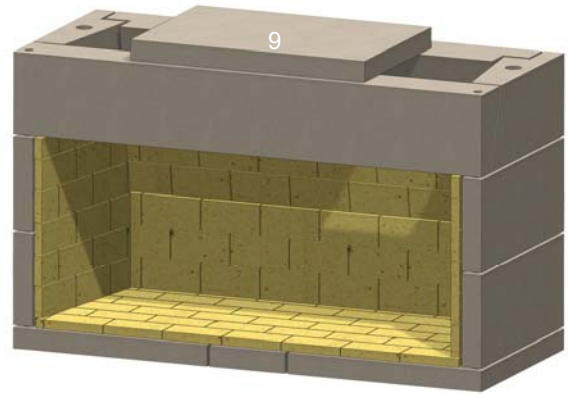


Figure 18. Pizza Oven Base Plate

J. Install lower level of rear throat pieces (Items 10, 10C and 11), checking them for level. See Figure 19.

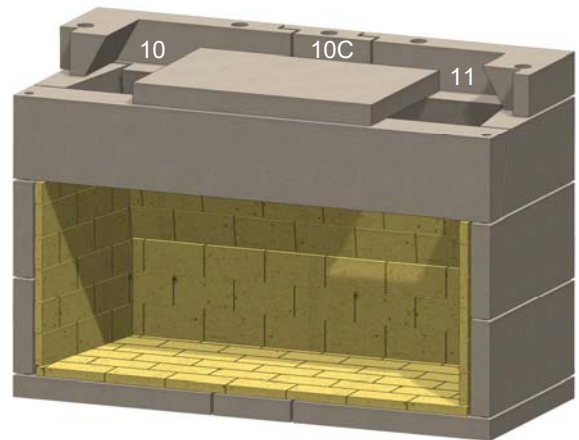


Figure 19. Lower Rear Throat

K. Install the middle level of rear throat pieces (items 12, 12C and 13). See Figure 20.

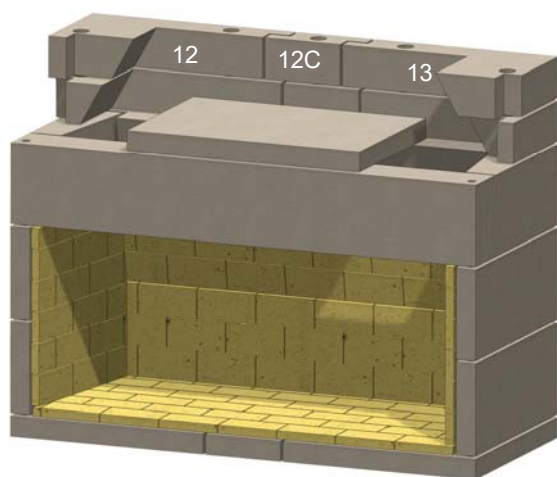


Figure 20. Middle Rear Throat

M. Install the rear throat cap extension (16C). See Figure 22.

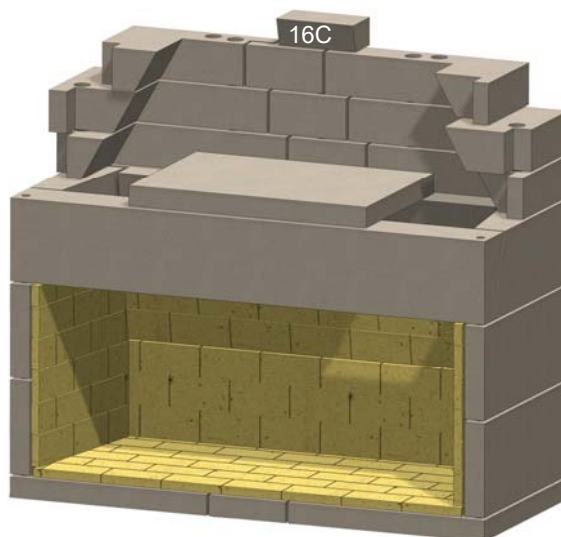


Figure 22. Rear Throat Cap Extension

L. Install the upper level of rear throat pieces (14, 14C and 15). See Figures 21.

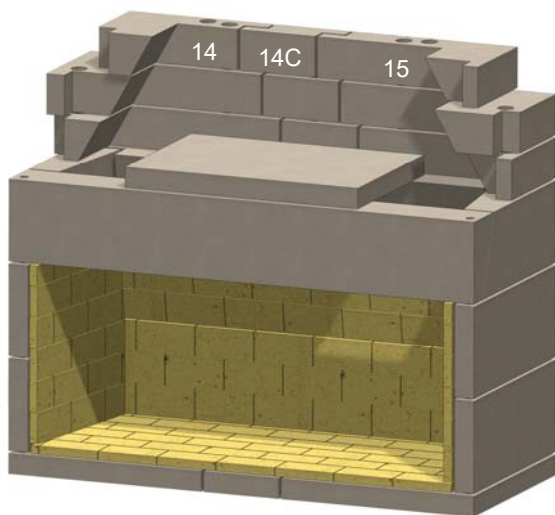


Figure 21. Upper Rear Throat

N. Install split (1 ¼" thick) firebrick along the back wall of the fireplace throat. See Figure 23.

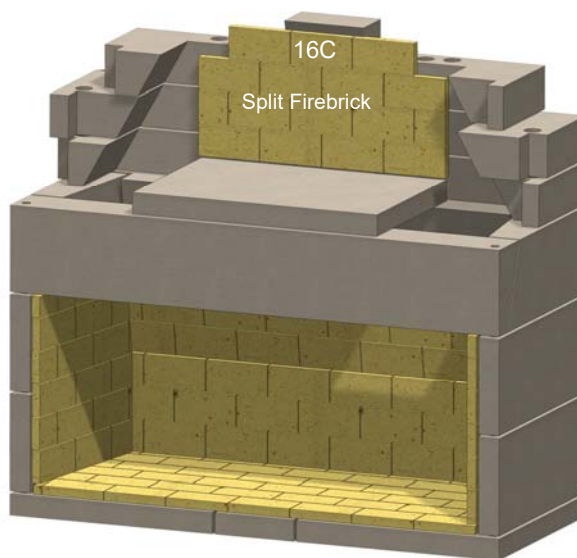


Figure 23. Oven Back Wall Firebrick

O. Install full (2 ½” thick) firebrick on the pizza oven baseplate. See Figure 242.

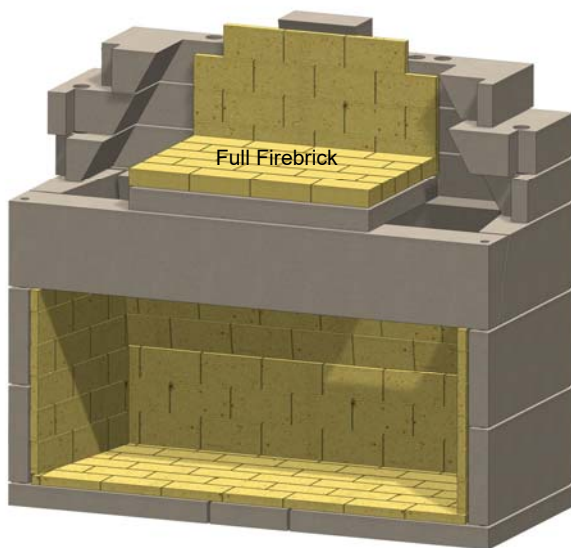


Figure 24. Oven Floor Firebrick

Q. Install the oven front panel. See Figure 26.

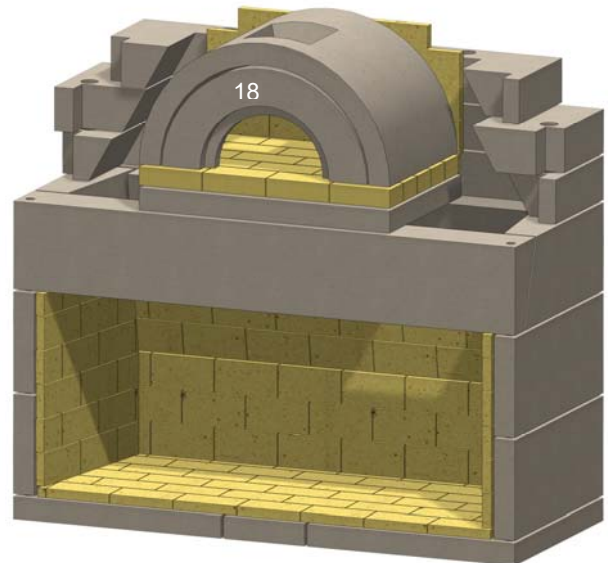


Figure 26. Oven Front Panel

P. Install the oven dome. See Figure 25.

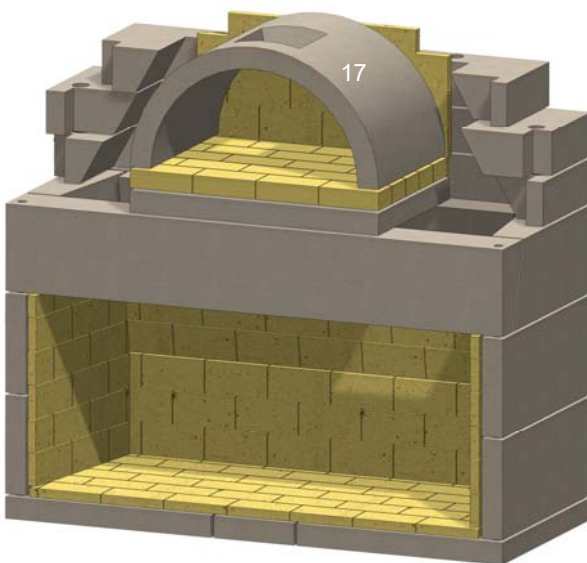


Figure 25. Oven Dome

R. Install the oven chimney flue. See Figure 27.

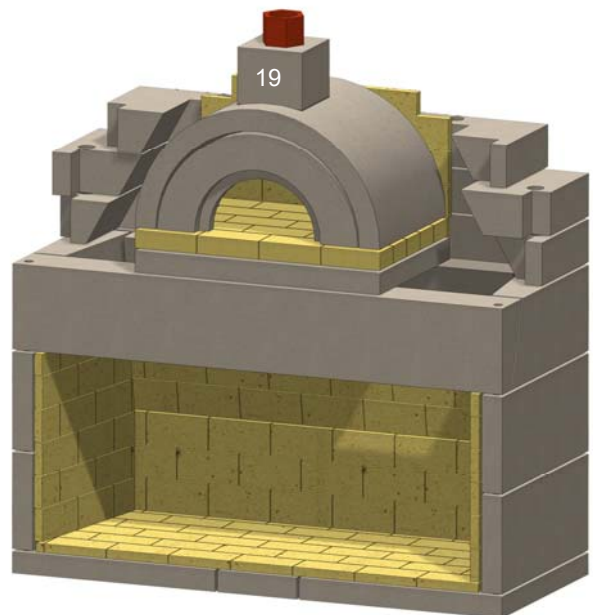


Figure 27. Oven Chimney Flue

S. Stage components of pallet 3 in preparation for assembly. The components of pallet 3 are shown in Figure 28.

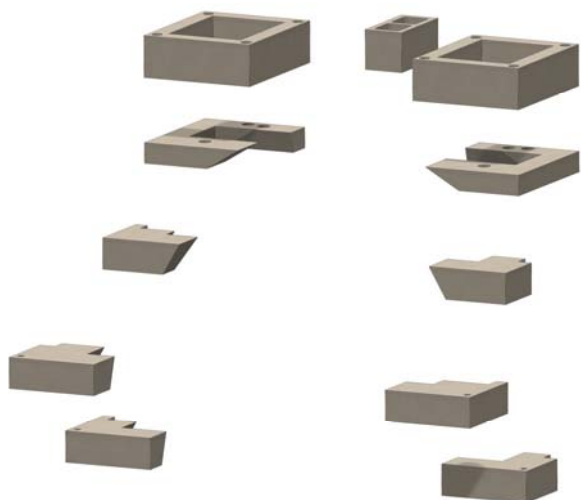


Figure 28. Pallet 3 Components

T. Install the lower throat left and right front pieces (20 & 21). See Figure 29.

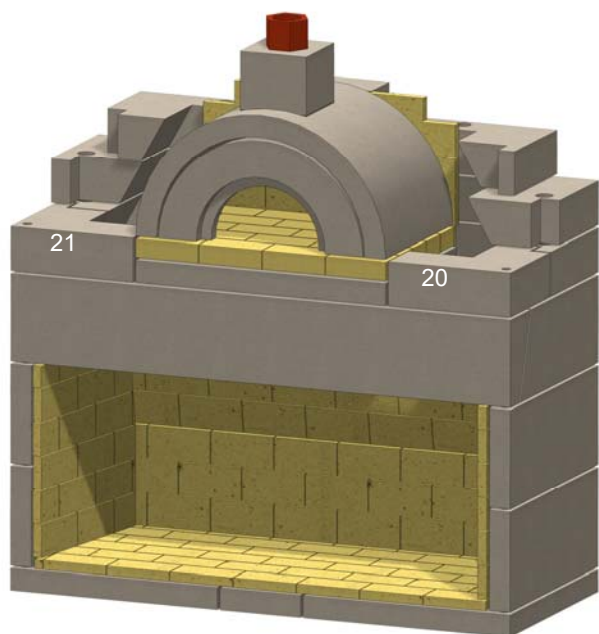


Figure 29. Lower Front Throat Pieces

U. Install the lower mid left and right front throat pieces (22 & 23). See Figure 30.

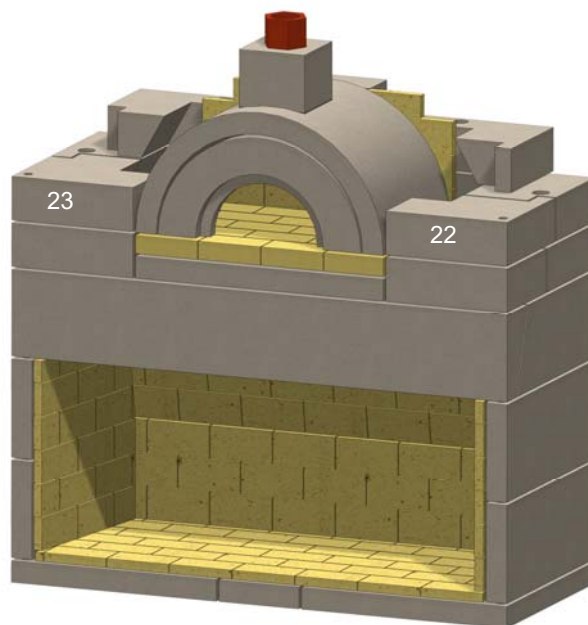


Figure 30. Lower Mid Front Throat Pieces

V. Install the middle left and right front throat pieces (24 & 25). See Figure 31.

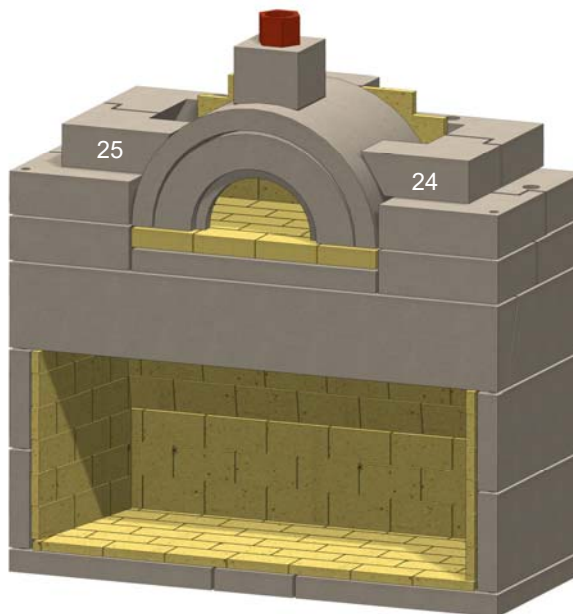


Figure 31. Middle Front Throat Pieces

W. Install the throat cap pieces (26 & 27). See Figure 32.

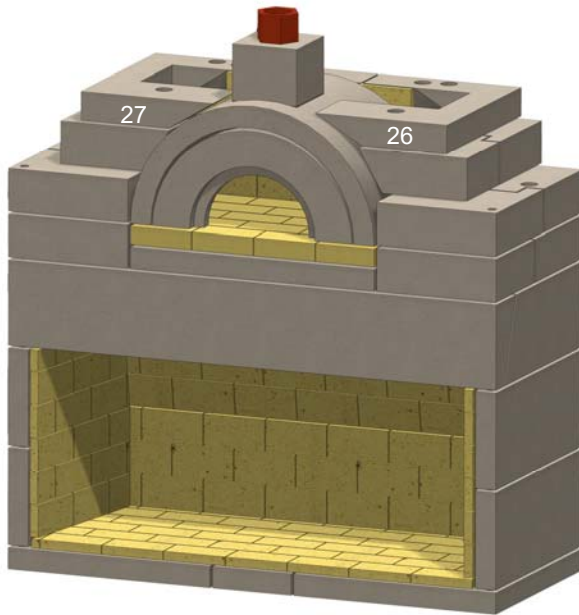


Figure 32. Throat Cap Pieces

Y. Install CMU block (29) to fill in the rear void. See Figure 34.

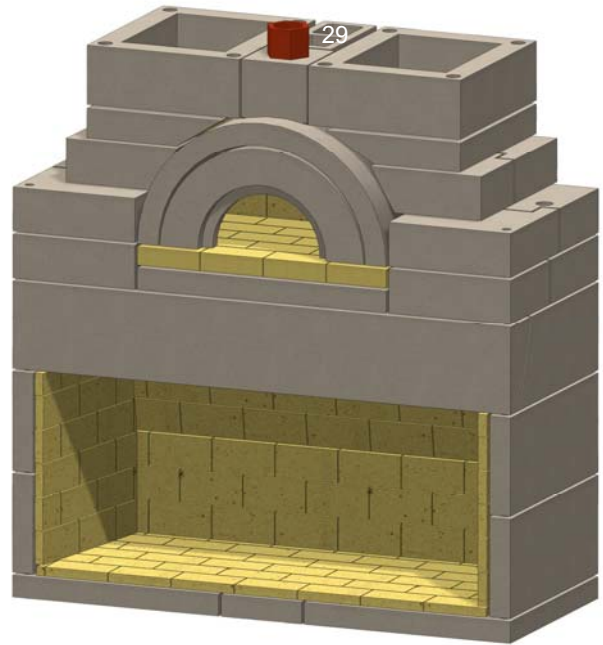


Figure 34. CMU Block

X. Install the outer chimney blocks (28). See Figure 33.

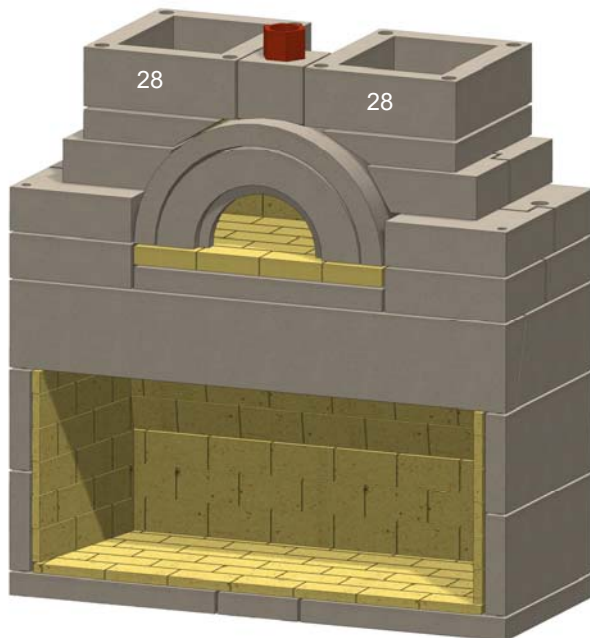


Figure 33. Outer Chimney Blocks

Z. Install the hearth and or hearth extension. Ensure the Table 2 and Figure 3 clearances and distances are maintained. Ensure that the hearth and flooring under and in front of the hearth are made of fully non-combustible materials, not just a non-combustible floor covering. When the hearth installation is complete, you are now ready to install the exterior. See Figure 35.



Figure 35. Hearth

3.3 Exterior finishing

The exterior finish of an indoor fireplace will vary as compared to an outdoor application and may be limited depending on location in the home and framing that encompasses the fireplace. Exterior veneers may be fabricated stone, thin veneer or full bed depth natural stone, tile, brick or stucco.

If the exterior finish is going to be stucco, stain, tile or manufactured thin stone wrap outside of firebox with metal lathe. Attach metal lathe to firebox using concrete nails, tapcons, masonry or concrete anchors. Natural stone, full bed depth or thin veneer, full size brick, concrete pavers, CMU block, etc. do not require metal lathe.

Ensure same refractory mortar is used.

4.0 Installation of Chimney

4.1 Stone Age Masonry System

The Stone Age Masonry chimney system consists of stacking Stone Age chimney blocks and installing an optional clay flue inside.

A. Place a clay flue inside the chimney block. The holes in each corner of the chimney block allow the placement of rebar and mortar for additional reinforcement, if desired.

B. Continue with stacking the outer blocks and clay flues until the desired height is reached. Mortar the flue sections together, and mortar the chimney block sections together. There will be dead air space between the flue and chimney block sections.

C. The chimney is completed by stacking as many flue sections as necessary to reach chimney height.

D. Dual masonry chimneys taller than 12 feet should be tied into the surrounding structure for additional support, due to the weight of the dual flue system. Consult with an engineer to determine the best way to do so for your project.

E. If unit is under a roof and the chimney exit opening does not already exist locate the point where the chimney will exit the roof by plumbing down to the center of the fireplace chimney. Drive a nail into the roof to mark the center.

F. Measure to all sides of the nail and mark the required opening, and then cut a hole in the roof. Remember that the hole is measured on the hori-

zontal, and then projected to the roof. The hole may then be larger, depending on the pitch of the roof.

G. Frame the opening in the roof.

H. Continue to add flue sections, extending the chimney through the roof.

I. Install roof flashing appropriate to the roof pitch.

J. Use mortar to create a slope away from the clay flue, running out to the edge of the finish material, to assist with water drainage. Install the chimney cap following instructions provided. This will protect the chimney from rain, birds, animals and leaves.

4.2 Height of Chimney

Figure 36 illustrates the proper height of the chimney top. Correct height depends on the chimney's location on the roof and distance from the peak of the roof. Surrounding trees, other buildings and hills may also be a consideration.

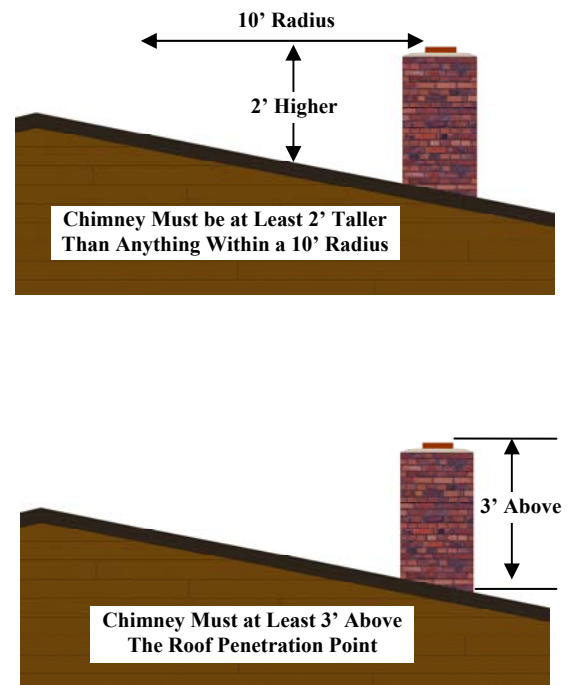


Figure 36. Chimney Height

If the chimney top is not high enough, unusual downdrafts may occur, resulting in undesired smoke spillage. For a more thorough explanation of the figure 33 illustration, this is the traditional 2/10 rule.

The center of your chimney should be a minimum of two feet higher than any roof or projection within ten feet horizontally from the chimney center. This means the chimney does not have to extend above the peak of the roof. Once the chimney is ten feet away and extended two feet above roof structure at that distance, the height is sufficient, but it should never be less than three feet taller than the point where it penetrates the surface of the roof.

5.0 Operating Instructions

5.1 Safety Precautions

A fireplace and pizza oven can bring many hours of enjoyment, warmth, and great cooking, if operated and maintained properly. Certain safety precautions must be observed to eliminate the dangers associated with fire and provide a satisfactory fire with minimal smoke. A pizza oven can easily generate temperatures of 800°F or more, and can be dangerous if proper clothing and tools are not used. Using the fireplace and oven simultaneously will also require taking extra precautions to protect against the potential for burns. Combustible materials in the vicinity of the oven and fireplace openings may be at risk.

WARNING: WHEN OPERATING THE CAMINETTO™, WEAR PROPER CLOTHING AND USE PROPER OVEN AND FIREPLACE TOOLS WITH EACH APPLIANCE. ENSURE THAT COMBUSTIBLE MATERIALS NOT REQUIRED FOR THEIR OPERATION, ARE KEPT AWAY FROM THE UNIT.

A. When burning wood use solid, seasoned wood only. Do not use scrap wood or artificial wax based logs, treated coal or woods dipped in pine tar or pitch.

B. Never use gasoline or other combustible liquids when starting a fire.

C. Keep a screen in front of the fireplace except when tending the fire.

D. Keep combustible furniture/pillows at least four feet from the opening.

E. Never leave the fire unattended.

F. Be extremely careful when adding wood and handling fireplace tools. Never throw, kick or by any other means force wood into the firebox as this could damage the firebrick and fireplace walls that could result in permanent damage and void the warranty. Stress cracks from thermal cycling are normal.

G. Do not alter the fireplace or pizza oven to the extent that it would jeopardize the structural integrity of the unit. Drilling or cutting a hole for a gas line, fresh air vent or ash dump is acceptable. Use only Stone Age authorized equipment with this fireplace.

H. It is advisable that long-sleeved shirts be worn when inserting and removing wood or food into/from the oven.

I. Use a non-combustible oven mitt when stoking and adding wood to the fire, and when inserting and removing or turning food.

5.2 Tools

Special tools are available for the management of fireplace and oven fires and inserting and removing wood and food. These tools can be obtained online, or from local retailers. Some choices are shown in Figure 37.



Figure 37. Fireplace and Pizza Tools

5.3 Selection of Wood

Use cured wood logs only. Scrap wood produces sparks. Treated wood, coal, or woods dipped in pine

tar should not be used because they may leave a combustible residue in the fireplace and chimney.

Use of seasoned wood is preferred.

The amount of heat available from logs will depend on the type of wood, its dryness, quantity of wood and the size of the logs. Ten pounds of twigs will produce as much heat as a 10 pound log, but will produce it much faster because the air supply is more available.

5.4 Softwood vs. Hardwood

Wood is divided into two classes, hard and soft woods. Each has a use in a fireplace and each has advantages and disadvantages.

The hardwood category includes such woods as oak, walnut, birch, elm and maple. Softwoods include pine, fir, cedar and spruce.

Selection of wood depends on the type of fire you want. Softwoods are good to offset a morning chill because the fire develops faster. Hardwoods are preferable for a slower burning and uniform heat output.

Softwoods contain a highly flammable resin that will leave creosote soot in the chimney flue. This often results in sparking. Burning softwood exclusively will require more frequent inspection and cleaning of the chimney.

Experienced fire builders often use small amounts of softwood kindling and newspaper when starting a split hardwood log fire.

5.5 Seasoned Wood

Most freshly cut “green” wood will not burn well and will smoke. The pressure of moisture and resin inside green wood will build under heat and explode as sparks. Therefore, it is recommended that only seasoned wood be used in your fireplace.

Most wood requires 9 to 12 months of seasoning and drying to reduce the moisture content enough to produce good steady fires. Ensure that you buy only seasoned wood, or if you buy green wood (usually cheaper), store it properly to aid in the seasoning process. The following steps will assist in the seasoning process.

A. Stack wood loosely to permit maximum air circulation.

B. Do not stack wood on the ground. Use a wood rack or stack on scrap lumber. Storage on the ground will cause rotting and insect infiltration.

C. Cover wood stacks with a tarp so that it is not excessively exposed to the elements such as snow and rain.

D. Do not stack wood against the walls of your home.

5.6 Building a Fire

A. Use a log grate (sold separately) with your fireplace. This will contribute to good air circulation around the wood, and keep the wood out of the ash. This grate is shown in Figure 38.



Figure 38. Log Grate

B. Close windows located near the fireplace when first lighting a fire to reduce the possibility of smoking. It can be reopened once a draft has been created through the chimney.

WARNING: NEVER USE GASOLINE, GASOLINE-TYPE LANTERN FUEL, KEROSENE, CHARCOAL LIGHTER FLUID OR SIMILAR LIQUIDS TO START OR “FRESHEN UP” A FIRE IN THE FIREPLACE. KEEP ALL SUCH LIQUIDS WELL AWAY FROM THE FIREPLACE WHILE IT IS IN USE.

C. Do not overload the wood grate with wood. Three to four logs on the fire at one time are sufficient. Too much wood on the fire at one time can result in “over firing,” and too much heat in the firebox, causing damage to the fireplace.

D. When lighting a fire in a cold chimney, a downdraft may be created, letting a little smoke into the room. To correct this, hold a wadded newspaper in the firebox and light it. This will create an updraft and clear the flue of cold air.

The following steps are recommended when starting a fire.

A. Remove any excess ash from the fireplace. Excessive ash may reduce airflow. Some owners prefer to leave a small layer to insulate the cold refractory brick below the grate, helping fire starting.

B. Open and close the damper to ensure it operates properly. Leave it in the full open position when starting a fire and while the fire is burning.

C. Center the grate over the bottom hearth of the firebox.

D. Crumble several newspapers across the fire area underneath the grate. Criss-cross kindling wood on top of the grate, above the newspaper.

E. Lay three logs on the grate; two side by side and the third in pyramid fashion on top. Split logs will start faster. Ensure there is space between the logs for air circulation. As the air is heated, it is drawn upwards through the space between the logs, creating more combustion.

F. Light the paper at both sides of the firebox.

Caution: The fireplace requires air for operation. Ensure there is sufficient air so that other fuel burning appliances are not starved of combustion, ventilation, and dilution air.

G. Set the screen in front of the firebox to prevent the escape of sparks and embers.

H. Ensure the fire remains centered in the firebox. Don't let it move to the front part. Move it back with the poker.

I. Add wood to the fire as necessary.

CAUTION: Be extremely careful when adding wood to the fire. Use proper fireplace tools and wear gloves. If adding an un-split log, it is possible that it may want to roll out.

5.7 Cooking

If the oven has been exposed to moisture 48 hours prior to use, build a small fire and heat the oven to 250-300°F for two hours before increasing the heat to cooking temperature. An easy solution is to burn an 8-10 pound bag of match lite charcoal and let it burn completely. This will slowly dry out the moisture that the oven has absorbed.

As stated, we recommend cooking in a temperature range of 350° to 600°F. Time of cooking will depend on the temperature and the item being cooked. The

floor is the heat source that will do most of the cooking. An infra-red temperature gauge like that shown in Figure 18 can be used to measure temperature at any location in and around the oven.

Cooking in a wood-fired oven is somewhat like grilling or smoking meats in that there are many variables such as the type of wood used, ambient temperature and humidity, oven temperature and thickness of crust and toppings, that affect the outcome. Be prepared to spend a few times testing recipes and techniques while learning the nature of cooking on your Caminetto. Practice and experimentation will show how to best cook your favorite foods.

Tips for cooking Pizzas :

- A traditional Italian pizza with a thick crust and a thin layer of toppings should cook at 600°F or hotter for 3-6 minutes.
- For thicker pizzas with heavier toppings, lower temperatures are required to thoroughly cook without burning.
- A medium pizza with heavy toppings may cook best at 400°F-500°F and will require a longer cooking times, perhaps 15-25 minutes.

Cook the pizza directly on the floor of the oven. Place it in the oven using a long-handled paddle called a peel, using hot mitts or hot pads. Slide the pizza from the preparation surface to the peel, and then onto the cooking surface using a slight jerking technique.

WARNING: Be mindful of the hot surfaces of your Caminetto oven. Because of the high temperatures, extra caution should be used when cooking with a wood-fired oven. Use proper, long-handled tools and protective mitts when working around the opening or reaching into the hot oven.

6.0 Cleaning, Inspection and Maintenance

As is the case with most other equipment, cleanliness is the best maintenance practice and will contribute too many hours of warmth and pleasure.

WARNING: DO NOT CLEAN THE FIRE-PLACE WHEN IT IS HOT.

A. Creosote – Formation and Removal. When wood is burned slowly, it produces tar and other organic vapors, which combine with expelled moisture to form creosote. The creosote vapors condense in the relatively cool chimney flue of a slow burning fire. As a result, creosote residue accumulates on the flue lining. When ignited, this creosote makes an extremely hot fire. The chimney shall be inspected at least twice a year during the heating season to determine when a creosote buildup has occurred. If a significant layer of creosote has accumulated (3 mm or more), it should be removed to reduce the risk of a chimney fire.

B. Disposal of ashes - Ashes should be placed in a metal container with a tight-fitting lid, and taken outside and placed on the ground, well away from all combustible materials, pending final disposal. If the ashes are disposed of by burial in soil or otherwise locally dispersed, they should be retained in the closed container until all cinders have thoroughly cooled.

C. The grate may be removed from the firebox for cleaning. However, ensure it is returned prior to laying the next fire.

D. Keep the fireplace screen clean so air flows freely through it.

E. Spot check the refractory bricks and mortar for small cracks. It will expand slightly with the heat, and then contract as it cools. Replace refractory bricks when the cracks open more than ¼”; or when pits become extensive and deeper than 3/16”; or when any piece of refractory larger than 2 inches in diameter becomes dislodged.

F. If creosote has accumulated, it should be removed to reduce the risk of a chimney fire. Clean

the chimney as outlined below or have the chimney cleaned by a professional chimney sweep.

WARNING: DO NOT USE CHEMICAL CHIMNEY CLEANERS THAT ARE Poured ON A HOT FIRE. THE CHEMICAL CLEANER CAN BE DANGEROUS AND GENERALLY WILL ONLY WORK ON THE FLUE SECTION NEAREST THE FIRE, LEAVING THE REST OF THE FLUE UNAFFECTED.

G. Inspect the top cap and opening in your chimney top and remove any debris that could clog it. If possible, birds will often nest there, and it must be kept clear of nest material.

H. Check the metal flashing and seals around the chimney. Seal any cracks or loose nail heads to prevent roof leaks.

I. Cover the firebox opening with a damp sheet and seal with masking tape to retain soot in the firebox while cleaning.

J. Inspect the entire flue from the top down for obstructions. Use a flexible handled cleaning brush. If the chimney contains offset/return elbows, clean from the top down to the offset, then from the firebox up to the offset.

K. Check the flue from inside the fireplace with the damper open for obstructions.

L. After completion of cleaning, use a vacuum cleaner to remove all soot and residue from the firebox.

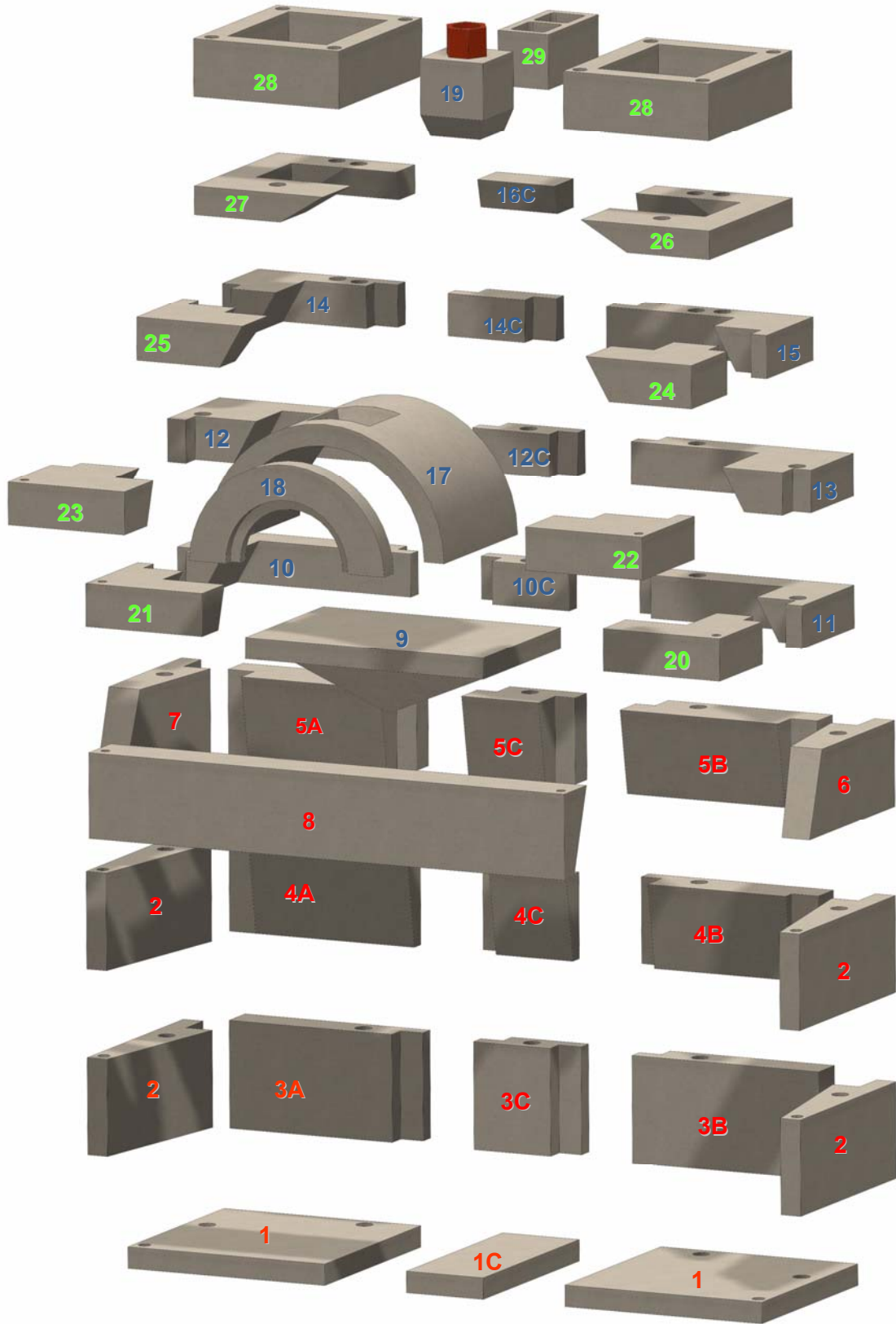
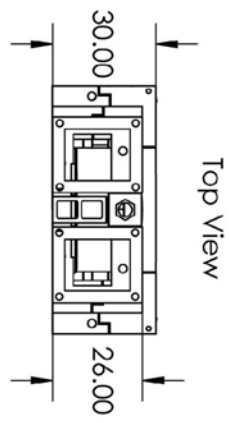
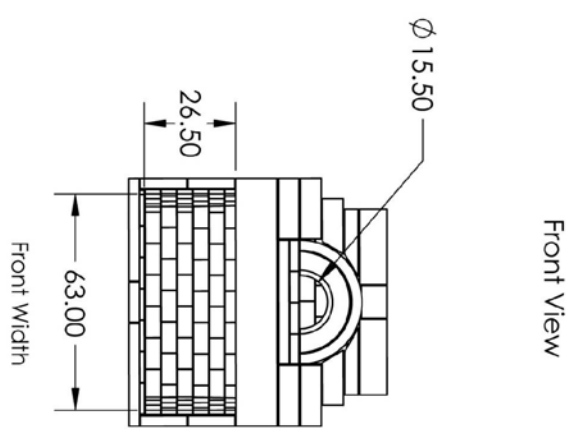
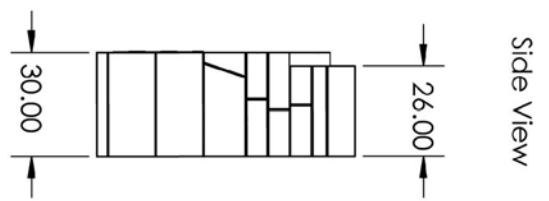
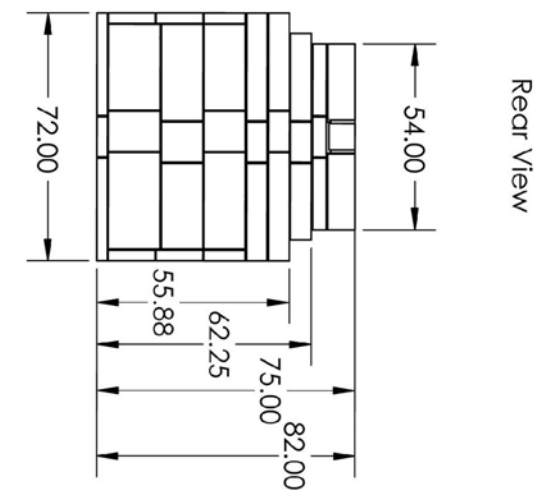



Figure 2. Kit Components
(Larger View)



Firebox Width, with Firebrick

PROPRIETARY AND CONFIDENTIAL		UNLESS OTHERWISE SPECIFIED: DIMENSIONS ARE IN INCHES TWO PLACE DECIMAL ±		 11107 E 126TH ST. N. Collinsville, OK 74021 918-371-8861		TITLE: Caminetto Medeco™	
THE INFORMATION CONTAINED IN THIS DRAWING IS THE SOLE PROPERTY OF STONE AGE MANUFACTURING, INC. ANY REPRODUCTION, IN PART OR AS A WHOLE, WITHOUT THE WRITTEN PERMISSION OF STONE AGE MANUFACTURING, INC. IS PROHIBITED.		MATERIAL		NAME		DATE	
DO NOT SCALE DRAWING		DRAWN				SIZE DWG. NO. REV	
						A SA-CMO63-3V	
						SCALE: 1:48 WEIGHT: SHEET 1 OF 1	

5 4 3 2 1

LIMITED WARRANTY

The products of Stone Age Manufacturing, Inc. (“Stone Age”) have been carefully manufactured and the components assembled to give the customer a quality product. Stone Age warrants to the original purchaser the materials that it provides to the customer against defects in manufacture for a period of twenty-five (25) years from the date of purchase on UL-127 listed fireplaces, for a period of five (5) years from the date of purchase on all unlisted fireplaces, fire pits, and other masonry components. Other accessory items or components offered, but not produced by Stone Age Manufacturing, Inc., shall be covered by their manufacturer’s warranties. This Limited Warranty covers only actual manufacturing defects in the Stone Age product and does not cover defects or faulty workmanship in the installation of the product or the masonry or other structure in which it is installed. Also this warranty does not cover items that have been damaged due to over-heating, modification, improper storage or maintenance. Stone Age shall repair or replace, at its option, any defective Stone Age product component upon receipt of written notice addressed to Stone Age. This Limited Warranty covers only replacement of any defective components within the product itself occurring during the warranty period and does not cover the cost of installation or removal from a fixed location. **NO OTHER WARRANTIES, EXPRESS OR IMPLIED, ARE MADE, INCLUDING IMPLIED WARRANTIES OF MERCHANTABILITY AND FITNESS FOR PARTICULAR PURPOSES WHICH ARE SPECIFICALLY DISCLAIMED.** Stone Age is not liable for damages or injury to persons or property or other incidental or consequential damages.

Stone Age Manufacturing, Inc.
11107 E. 126th St. N., Collinsville, OK 74021
WWW.Stoneagefireplaces.com