

MODEL: ESTOP-RM-KIT

E-STOP Gas Timer Surface Mounting Kit

For use with Firegear Outdoors MatchThrow (MT),
Thermocouple Manual Safety (TMSI) Fire Pits and BBQ Grill applications

Installation and Operating Instructions

**IF YOU CANNOT READ OR UNDERSTAND THESE INSTALLATION INSTRUCTIONS
DO NOT ATTEMPT TO INSTALL OR OPERATE THIS APPLIANCE**

CALIFORNIA PROPOSITION 65



WARNING

This product can expose you to Chromium, which is known to the state of California to cause cancer and birth defects or other reproductive harm.
(For more information, go to www.p65warnings.ca.gov)



Warning: For Outdoor Use Only



We recommend that our gas hearth products be installed and serviced by professionals who are certified in the U.S. by the National Fireplace Institute® (NFI) as NFI Gas Specialists.

PLEASE RETAIN THIS MANUAL FOR FUTURE REFERENCE

PRODUCT DESCRIPTION: This ESTOP-RM-KIT is surface mounted design to be installed with a Firegear Outdoors Match Throw (MT) fire pit, a Thermocouple Manual Safety (TMSI) fire pit or BBQ grill applications. Use either the ESTOP1-0H or ESTOP2-5H gas timer models with this kit. The ESTOP Gas Timer is not supplied with this kit and must be purchased seperately. The ESTOP gas timers must be oriented in the upright position as shown in the instructions. **NOTE:** All gas lines must enter from the back side of the ESTOP gas timer to use this mounting kit. **Ensure to install the plugs provided with the ESTOP gas timer and seal them with gas rated Teflon tape before installing this ESTOP-RM-KIT.**

FOLLOW LOCAL CODES IF APPLICABLE FOR THIS INSTALLATION

INSTALLATION

Tools Needed: Power Screwdriver with a Phillips head tip, $\frac{5}{16}$ " wrench or nut driver.

Step 2: After brackets are installed, the ESTOP gas timer should look like Fig. 2.

Step 1: Use the four (4) screws provided in the ESTOP gas timer box and install the two (2) mounting brackets to each side of the ESTOP as shown in Fig. 1.

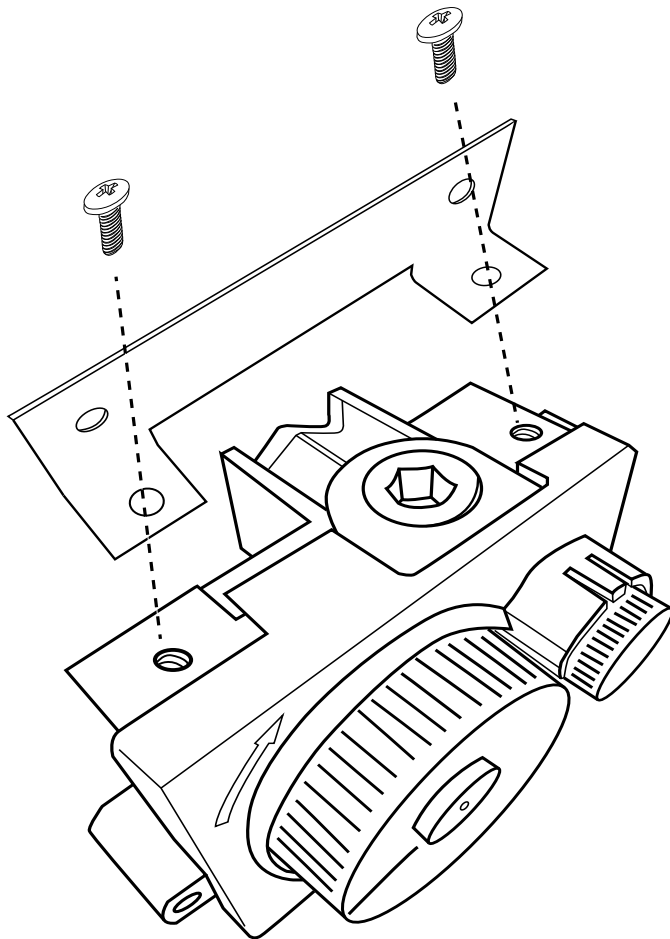


Fig. 1 Installing mounting brackets to ESTOP gas timer.

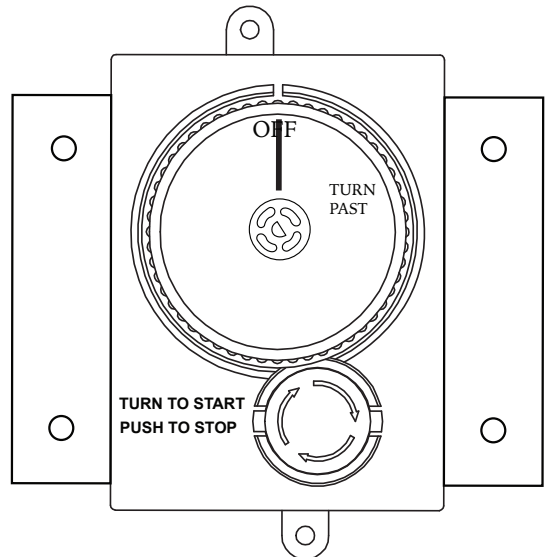


Fig. 2 Shows front view of ESTOP with mounting brackets installed.

Step 3: Cut a $3\frac{1}{8}$ " wide x $4\frac{3}{4}$ " tall hole into the wall board where the ESTOP is to be located.

Step 4: Place the ESTOP into the hole and mark the mounting hole brackets. Ensure assembly is centered and level, then drill four $\frac{1}{4}$ " holes in the wall for mounting. See Fig. 3.

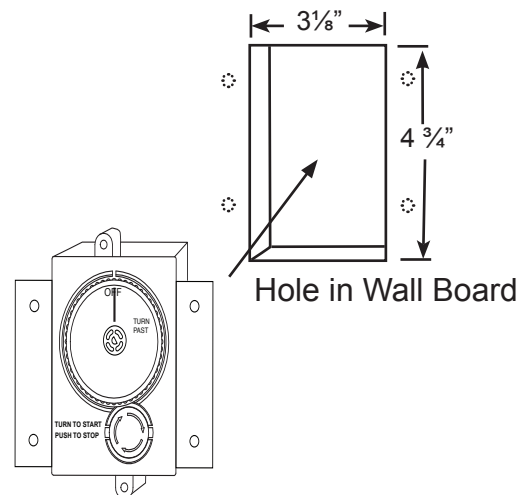


Fig. 3 Installing ESTOP gas timer into wall.

Step 5: Install the (4) 10-24 x 1.25" Phillips screws through the mounting brackets, into the wall board holes and secure with a washer and nut (on back side) for each hole.

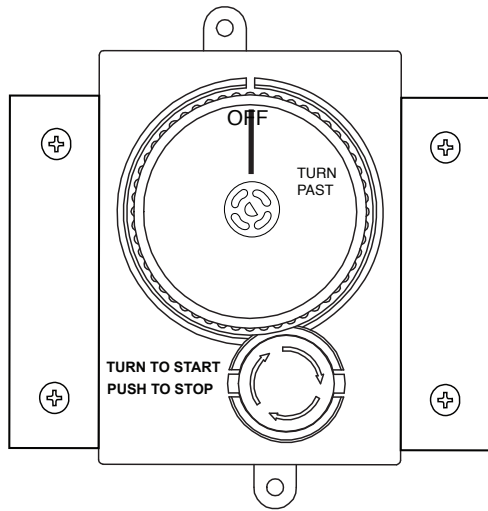


Fig. 4 Shows ESTOP mounted into wall.

Step 6: Install the cover plate overtop of the ESTOP gas timer. Align the holes in the cover plate with the holes in the ESTOP gas timer (top and bottom) and install the two (2) mounting screws (#10-24x6.25 SS Phillips screws) to secure the cover plate as shown in Figs.5 and 6.

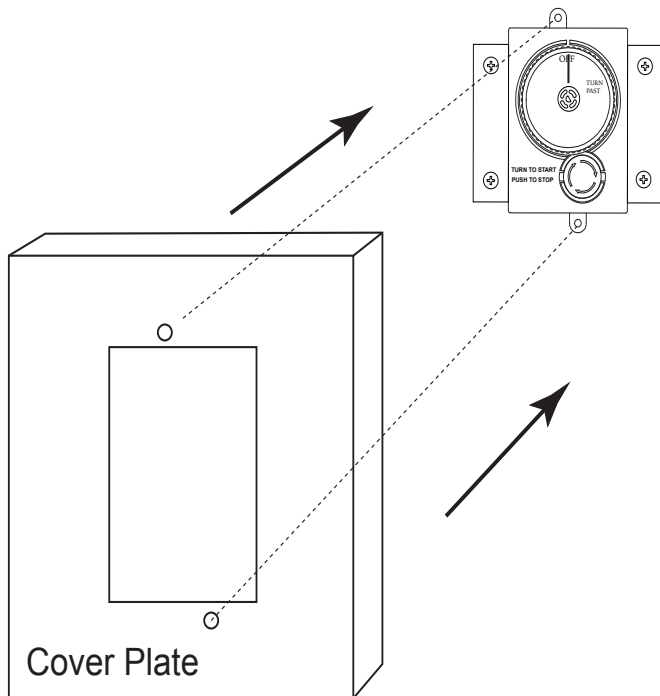


Fig. 5 Installing cover plate.

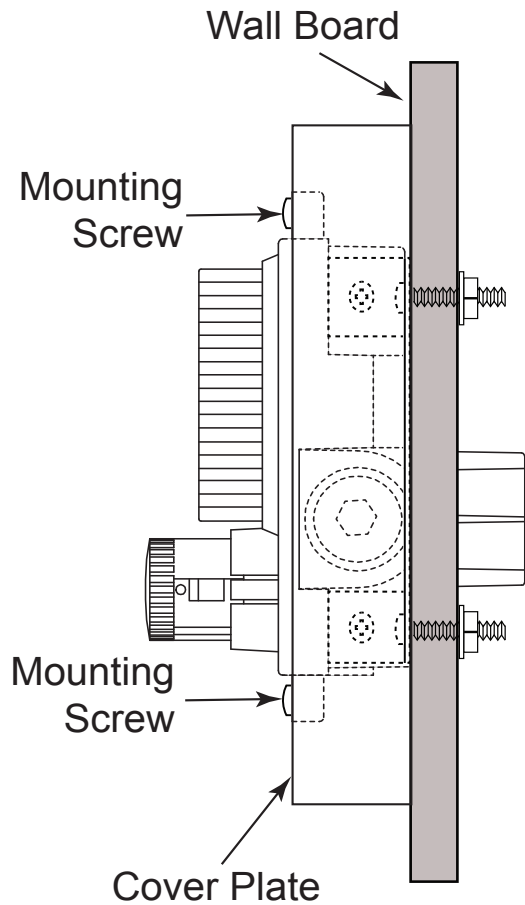


Fig. 6 Side view of ESTOP mounted into wall.

Step 7: When cover plate is installed over the ESTOP gas timer it will protrude $\frac{7}{8}$ ". See Fig. 7 for outside dimensions.

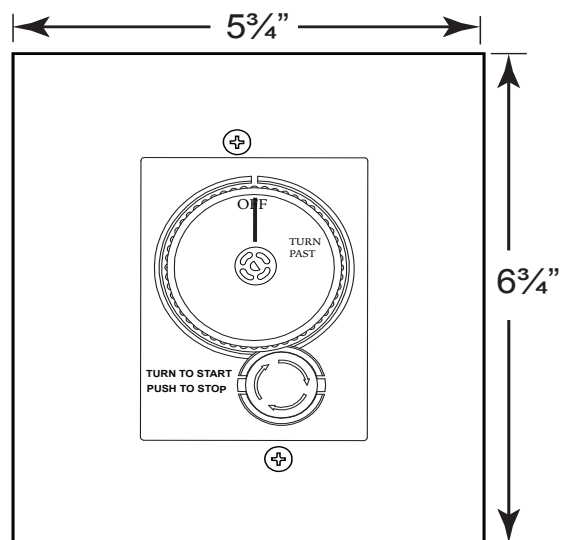
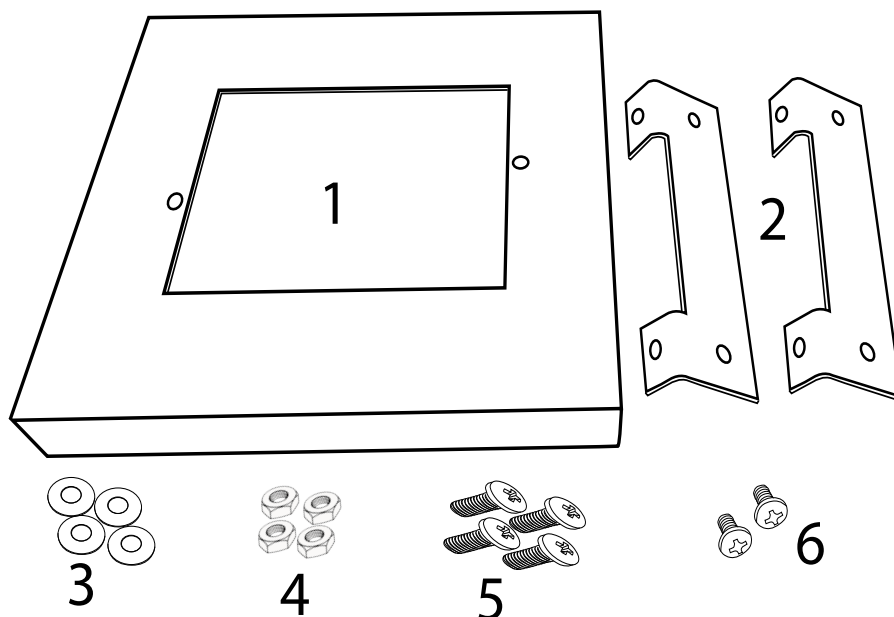


Fig.7 Cover plate outer dimensions.

Step 8: After the ESTOP-RM-KIT is installed then use gas rated Teflon tape on the gas lines to connect gas supply. Ensure you check for gas leaks before final operation.

REPLACEMENT PARTS



REPLACEMENT PARTS LIST

Item#	Description	Part Number	Qty.
1	Cover Plate Stainless	ESTOP-COVER-PLATE	1
2	Stainless Mounting Brackets	ESTOP-RECESS-BRKT 8	2
3	#10 Stainless Washers	WASHER10SS	4
4	#10-24 Stainless Nuts	ST3-113-1020	4
5	#10-24x 1 1/4" Phillips Pan Screw SS	SCREW1024PANSS	4
6	#10-24x6.25 Phil SS Panhead Screw	ST3-113-1019	2

FOR TECHNICAL SERVICE, CALL: (800) 966-8126

Firegear Outdoors
 17322 Gothard St
 Huntington Beach, CA 92647
 Web Site: www.firegearoutdoors.com

Manual changes often occur, ensure to check the Firegear Outdoor website for any recent updates and warranty information.