



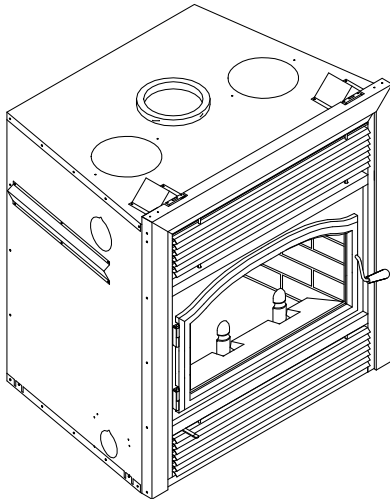
INSTALLATION AND OPERATION INSTRUCTIONS

WCT4820WS

EPA Wood-Burning Fireplaces
P/N 900093-00 REV. C 06/2016

MODEL

WCT4820WS



**SAVE THESE INSTRUCTIONS
FOR FUTURE REFERENCE**

An French manual is available upon request. Order P/N 900094-00.

Ce manuel est disponible en français, simplement en faire la demande. Numéro de la pièce 900094-00.

**Fireplace, also for use in mobile or
manufactured homes with solid fuel only.**

	⚠ WARNING
	<ul style="list-style-type: none"> • Hot! Do not touch! The glass and surfaces of this appliance will be hot during operation and will retain heat for a while after shutting off the appliance. Severe burns may result. • Carefully supervise children in the same room as appliance.
<ul style="list-style-type: none"> • If small children are present in the home, it is recommended that this appliance be fitted with an adjustable safety gate or barrier screen. 	

	⚠ WARNING
<ul style="list-style-type: none"> • The fireplace cannot be operated without a door or firescreen. Consult your dealer to select the correct door or firescreen. • Important! To assure proper alignment of glass doors: Install this fireplace in a square and plumb condition, using shims as necessary at sides and/or bottom. • Install the fireplace only as described in these instructions. 	

	<p>Listed to standards: ULC-S610 & UL-127</p> <p>Report # 14-180 EPA Cert. No. 537</p>
--	--

<p>NATIONAL FIREPLACE INSTITUTE</p> <p>CERTIFIED</p> <p>www.nficertified.org</p>	<p>We recommend that our woodburning hearth products be installed and serviced by professionals who are certified in the U.S. by the National Fireplace Institute® (NFI) as NFI Woodburning Specialists or who are certified in Canada by Wood Energy Technical Training (WETT).</p> <p>Wood Energy Technical Training www.wettinc.ca</p>
--	---



P900093-00

IMPORTANT! GENERAL SAFETY PRECAUTIONS. READ AND UNDERSTAND THESE SAFETY RULES BEFORE YOUR FIRST FIRE.

⚠ WARNING

THE FIREPLACE MUST BE OPERATED WITH THE DOOR FULLY OPENED OR DOOR FULLY CLOSED. IF THE DOORS ARE LEFT PARTLY OPENED, GAS AND FLAME MAY BE DRAWN OUT OF THE FIREPLACE OPENING, CREATING RISKS OF BOTH FIRE AND SMOKE. IF THE UNIT IS OPERATED WITH THE DOORS FULLY OPENED, THE OPTIONAL FIRE SCREEN MUST BE USED.

⚠ WARNING

NEVER use gasoline, gasoline-type lantern fuel, kerosene, charcoal lighter fluid, naphtha, engine oil or similar liquids to start or "freshen up" a fire in this fireplace. Keep any flammable liquids a safe distance from the fireplace at all times.

⚠ WARNING

THIS FIREPLACE HAS NOT BEEN TESTED WITH AN UNVENTED GAS LOGS OR A FIREPLACE INSERT. TO REDUCE RISK OF FIRE OR INJURY, DO NOT INSTALL AN UNVENTED GAS LOG SET OR FIREPLACE INSERT OR OTHER PRODUCTS NOT SPECIFIED FOR USE WITH THIS FIREPLACE.

⚠ WARNING

Never leave your fireplace unattended while it is burning.

⚠ WARNING

To avoid the risk of damaging fireplace materials and increasing the risk of fire, do not use the fireplace to cook or warm food.

⚠ WARNING

Use care when selecting window treatments for windows located near the fireplace. Avoid using combustible flowing window treatments such as curtains on nearby windows that are of sufficient length to be blown in front of an open flame when the window is opened. Keep any combustible furniture, materials or decorative pillows at least 48" (1219 mm) from the front fireplace opening.

⚠ WARNING

Never modify or alter your fireplace system in any way. To do so may create a potential fire hazard and void the limited warranty, listings and approvals of this system.

⚠ IMPORTANT

When burning wood, use SOLID NATURAL DRY WELL-SEASONED WOOD ONLY. Hardwoods are recommended (softwoods tend to burn very quickly).

- **DO NOT** burn treated wood, charcoal, coal, trash, cardboard, driftwood, woods dipped in tar, Christmas tree greens, pitch, pine tar, creosote, chemical chimney cleaners, flame colorants, polystyrene packaging, wood products with synthetic binders (i.e. plywood). Plywood, lumber and other misc. materials can produce abnormally high temperatures, sputtering and smoking fires and may contain hazardous chemicals to treat insects and fungus.

- Burning unapproved fuels can produce excessive temperatures, beyond the design capabilities of the fireplace and may produce excess sparks or may contain hazardous chemicals. Burning unapproved fuels can result in a chimney fire, a house fire, personal injury, death or loss of property.

⚠ WARNING

Never leave children unattended when there is a fire burning in the fireplace.

⚠ WARNING

Always ensure that the air inlet to the fireplace is free from debris and any other obstructions that can block the entrance of air.

⚠ IMPORTANT

WHEN INSTALLED IN A MOBILE OR MANUFACTURED HOME:

- Mobile or manufactured home installations must be installed in accordance with the requirements of the Department of Housing and Urban Development (HUD) "Mobile Home Construction and Safety standards" for US or Canada Mortgage and Housing Corporation (CMHC) for Canada.

- The fireplace must be fastened to the floor by unfolding and screwing the small tabs on both sides at the bottom of the fireplace.

- It is necessary to have access openings, for inspection purpose only, into built-in enclosures surrounding the fireplace installation. Such openings to require a household tool for access.

- The vapor barrier of the mobile home shall be as close as possible of the location where the chimney assembly penetrates the ceiling and roof structure with no interference to the required clearance to combustible material.

- When the mobile or manufactured home has a flat roof, the Attic Radiation Shield must be installed from below going through the roof (See *Figures 23b and 23d*).

- **Warning:** Do not install in a sleeping room.

- **Caution:** The structural integrity of the manufactured home floor, wall, and ceiling/roof must be maintained.

⚠ WARNING

Neither the manufacturer nor the seller warrants "smoke free" operation nor are we responsible for inadequate system draft caused by mechanical systems, general construction conditions, inadequate chimney heights, adverse wind conditions and/or unusual environmental factors or conditions beyond our control.

CONGRATULATIONS!

When you purchased your new wood fireplace, you joined the ranks of thousands of individuals whose answer to their home heating needs reflects their concern for aesthetics, efficiency and our environment. We extend our continued support to help you achieve the maximum benefit and enjoyment available from your new wood fireplace.

Thank you for selecting an IHP wood fireplace as the answer to your home supplemental heating needs.

TABLE OF CONTENTS

SAFETY RULES and Specifications for	
Mobile or Manufactured	
Home Installation.....	Page 2
Introduction	Page 3
Parts Required	Page 3
Optional Equipment.....	Page 3
Operating The Fireplace	Page 4
Fuel	Page 4
Combustion Control	Page 4
Refueling For Best Performance	Page 5
Smoking – Causes And	
Troubleshooting.....	Page 5
Important Cautions	Page 5
Maintaining Your	
WCT4820WS Fireplace	Page 6
Chimney Maintenance.....	Page 6
Dealing With A Chimney Fire.....	Page 6
Finish Door Casing Care.....	Page 6
Disposing of Ashes	Page 6
Refractory Replacement.....	Page 7
Door Installation	Page 7
Door Adjustment.....	Page 7
Glass Care - Replacement	Page 8
Glass Care - Cleaning	Page 8
Gasket Replacement	Page 8
Fireplace Installation	Page 8
Locating The WCT4820WS Fireplace	Page 8
Framing, Facing And Mantel.....	Page 9
Hearth Extension Requirements	Page 9
Cold Climate Installations.....	Page 9
Fireplace and Framing Dimensions	Page 10
Insulated Chase Construction	Page 11
Nailing Flanges.....	Page 11
Facing / Mantel.....	Page 11
Hot Air Ducting Installation	Page 12
Gravity Kit	Page 12
Central Forced Air Kit Installation	Page 13
Outside Air Kit	Page 14
Chimney System.....	Page 15
Chimney Installation Notes	Page 15
Chimney Installation Instructions.....	Page 16
Offset Chimney Installation	Page 17
Angled Wall Radiation Shield	Page 19
Chimney Support Installation.....	Page 20
Chimney Chase And	
Multiple Terminations.....	Page 20
Chimney Adaptor	Page 20
Masonry Application Instructions	Page 21
Installation Accessories	Page 22
Replacement Parts.....	Page 23
Specifications.....	Page 23
Clearances to Combustibles.....	Page 23
Chimney Components Lists	Page 24
Warranty	Page 27
Product Reference Information.....	Page 28

THE FIREPLACE INTRODUCTION

The WCT4820WS wood-burning fireplace is an energy efficient, heat circulating, closed combustion fireplace. You will receive a lifetime of comfort and enjoyment from your fireplace provided it is installed, maintained and operated properly.

- Please read these instructions and retain this manual for future reference.
- Before beginning the fireplace installation, consult the local authorities to obtain your building permit and check your local building codes. Install the fireplace only as described in these instructions and using only IHP components.
- This fireplace has been tested for CAN/ULC S610-M87 and ANSI/UL 127 under report number 3011202. It has also been tested for EPA 40 C.F.R Part 60, section 60.532(b). Certificate number 537.
- The WCT4820WS fireplace is not intended for use with a gas log set. Do not use a fireplace insert or any other product with this fireplace unless it is specified by IHP for use with this appliance. Failure to follow these instructions will void the certification and the warranty of the fireplace and may result in an unsafe installation.
- IHP wood fireplaces are designed for use as a supplemental heater. They are not intended for continuous use as a primary heat source.

PARTS REQUIRED

Fireplace Model WCT4820WS

- **Decorative Cast Iron Door - Required (Order Separately - see Page 22)**
- **Outside air kit - Required (Included w/Fireplace)**
- **6" diameter chimney*** - model ASHT, S-2100+, HT6000+, HT6103+ or AC manufactured by Security Chimneys International™ only, including:
 - Chimney lengths
 - Elbows (where necessary)
 - Associated components as per these installation instructions
- **6" diameter chimney ** - Model DuraTech® DTC** manufactured by DuraVent® only, including:
 - Chimney lengths
 - Elbows (*where necessary*)
 - Associated components as per these installation instructions

OPTIONAL EQUIPMENT

- **Additional Equipment (optional)**
 - AC Chimney Adaptor* (*required if using AC Chimney*)
 - AC chimney outside air kit
 - Gravity venting system
 - Panel for clean face option (*only with gravity venting system*)
 - Forced Air Kit ❶
 - Rigid firescreen ❶
 - Fireplace Blower Kit
 - Blower Speed Control
- ❶ **Not tested under EPA certification. If installed, this appliance no longer qualifies for EPA certification. Check with local authorities having jurisdiction for requirements in your area.**

*Available from Security Chimneys™

**Available from DuraVent®

OPERATING THE FIREPLACE

Fuel - USE SOLID NATURAL WOOD FUEL ONLY. This appliance is designed to burn dry seasoned natural wood only (see *Page 6* for a list of prohibited fuels). Failure to burn proper fuels only will void the certification and the warranty of the appliance (see *Page 26*). Hardwoods are preferred to softwoods since the energy content of wood is relative to its density. Hardwoods will result in a longer burning fire and less frequent refueling. A moisture content of 15% to 20% (seasoned) is recommended. Wood that has been cut and split and let to dry under a cover for a period of one year will usually meet that criteria. The required drying time will vary depending on the climate. Wood that is packed tight together will take longer to dry. Seasoned wood is darker in color than wet wood and will have visible cracks in the grain on the ends. Excessively wet wood will be difficult to burn and will result in lower efficiency, increased creosoting and deposits on the glass and in the chimney. Excessively dry wood will burn well but will also have higher emissions and shorter burning time.

DO NOT OVERFIRE THIS HEATER

Attempts to achieve heat output rates that exceed heater design specifications can result in permanent damage to the heater. See *Page 26*.

First Fires

Before using the fireplace make sure to remove the plastic wrapping and EPA label on door. Remove any glue residue left by the label using mild soap.

The first five or six fires should be small fires of short duration (about 30 to 60 minutes). This will help cure the refractory bricks. During the first few fires of this appliance there may be some odor and smoke due to the curing of the paint, dust accumulation and burning off of lubricants used in the manufacturing process. It may set off a smoke alarm located in the same room. For this reason the room should be well ventilated for the first few fires.



WARNING

Be careful adding wood fuel to the fire or handling fireplace tools such as shovels, tongs or pokers.



WARNING

The bottom refractory can be cracked by excessive abuse such as tossing heavy logs onto the grate or gouging with fireplace tools. Exercise caution when adding wood to your fireplace.

Building a Fire (starting and maintaining a fire)

To start a fire, place several crumpled up balls of newspaper in the firebox. Place small dry pieces of kindling on top of the paper, criss-crossing the kindling so that there are air spaces in between. Keep the fuel far back enough so that air can get underneath. Open the air controls fully and light the newspaper. Once the newspaper and the kindling is well ignited, close the door. Once the kindling fire is well established, cord wood can be added (see *Primary Air Combustion Control* section for proper operation of the air controls).

The unit will burn best with 2-3 pieces of cord wood spaced 1 to 2 inches apart and allowing air to get under the fuel. Criss-crossing or arranging the fuel so that air can get underneath, will help the fire to get started easily. The unit should be operated with the air control fully open long enough to get the cord wood well ignited.

COMBUSTION CONTROLS

Primary Air and Air Boost Controls

There is no flue damper in the WCT4820WS fireplace. As is common with air tight stoves, the combustion air control sets the flow of air entering the firebox. This allows for a more precise control of the fire. The combustion air control is located below the door on the left side. The main source of air (primary air) entering the firebox can be diminished by moving the air combustion control from left to right. The primary air is fully opened when the air control is completely moved to the left. The air control device can also be used to add an extra boost of air especially during fire start up and reloading of the unit. Pulling the air combustion control will induce an air boost at the base of the fire allowing an easier fire start up. When the fire is well established, the control can be pushed in to shut down the air boost allowing for a longer burn time. The combustion air control should be in the closed position (primary air and air boost) when the fireplace is not in use. This will minimize air leakage up the chimney. The combustion air control should be opened before opening the door to minimize the possibility of back draft coming into the room.

Accelerated Combustion

The maximum heat output for the WCT4820WS fireplace is achieved by burning with the door closed and the combustion air opened and pulled out. By this method, the WCT4820WS fireplace can produce up to 55,000 BTU of heat per hour. However, it will be necessary to reload with wood every one or two hours. This is the least efficient method of burning the WCT4820WS fireplace.

Use caution when firing with the combustion air control wide open. Only burn cord wood in this manner. Small dry pieces of softwood and construction scraps will burn very intensely using this method and may damage the firebox.

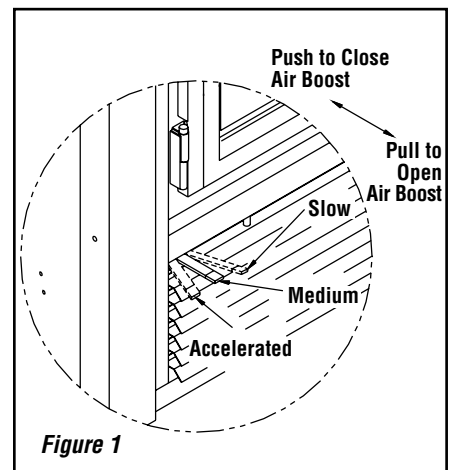


Figure 1

Medium Combustion

This is the recommended mode of operating the WCT4820WS fireplace and should be the one normally used since it will deposit the least amount of creosote on the glass and in the chimney. The combustion air control must be 3/4 closed and pushed in to close the air boost (*Figure 1*). The precise setting will depend on many factors, including chimney length and the moisture content of the wood.

For instance, a long chimney will necessitate closing the damper more. To obtain the proper combustion, close the damper completely, then open it about 1/4" to 1/2". Three medium size pieces of wood should be burning on a bed of hot coals. The heat output will be approximately 30,000 BTU per hour and the loading time will be about every 3-4 hours. Softwoods may be burned using this method but the time will be substantially reduced.

Slow Combustion

When the air combustion control is completely closed, the fireplace is in a slow combustion phase. If the hearth is hot enough, slow combustion will not extinguish the fire, but there will be a noticeable change in the flame pattern. The flames will be slow and may appear dirty if the wood is too wet (moisture content of 20% and more). Do not allow the wood to burn without flame, since this will produce excessive creosote in the unit.

Creosote may accumulate on the glass door. This method of burning should be used only after operating the WCT4820WS fireplace with the air control opened (*Figure 1*) to produce a hot fire for about an hour or at medium pace for at least three (3) hours. Slow combustion can be used at night in order to reduce the heat output and to prolong the burn. The loading time will be between 6-8 hours.

REFUELING FOR BEST PERFORMANCE

The WCT4820WS fireplace will operate best if attention is given to operating the unit with the damper fully opened (**Figure 1**) after refueling in order to bring the firebox and the chimney system up to their optimum operating temperature. Combustion efficiency is relative to firebox temperature. A temperature of 500° C (932° F) and up, with a visible flame, in the upper part of the firebox indicates a maximum efficiency. To obtain this temperature, the fireplace must be operated with the primary air and air boost controls fully opened during 10 to 20 minutes after reloading, depending on the heat and on the moisture content of the wood.

Once you have reached the desired temperature, the air boost can be closed and the primary air set to a medium setting. You know you have reached the desired temperature when, closing the primary air control, you can see a flame at the top of the firebox. The benefit of this technique will be cleaner glass, less creosoting, greater efficiency and the most pleasing fire for your enjoyment. If your fireplace is equipped with a forced air system, make sure the central blower is turned off during reloading to avoid smoking problems.

SMOKING – CAUSES AND TROUBLESHOOTING

To reduce the likelihood of smoking when opening the door, set the combustion air controls to the left before opening the door. Your fireplace has been designed and tested to provide smoke free operation. Occasionally, there may be a small amount of smoking upon lighting the fire, until the chimney heats up but this should not continue. If the fireplace continues to smoke it is probably for one of the following reasons:

- A. Negative pressure in the house**
As the fire burns, air goes up the chimney. This air must be replaced through leakage into the house or through the outside air duct. When operating the WCT4820WS fireplace, open a nearby window temporarily to check if there is adequate replacement air supply.
- B. Blowers operating (e.g.: range hood) -**
These blowers draw air out of the house and may actually cause a negative pressure in the house. Turn off all blowers and open a nearby window to determine if this is the cause of the problem.
- C. Wet wood-** Wet or tarred wood will smoulder and smoke instead of burning properly. Your dealer can help you determine if you have properly seasoned wood for burning.
- D. Dirty or blocked chimney-** Check to make sure the chimney is clear and clean. If dirty call a certified chimney sweep or use a properly sized chimney brush to clean.

- E. Chimney not long enough-** The minimum chimney height is twelve (12) feet (3.7 m) not including the fireplace height. The chimney must extend at least three (3) feet (915 mm) above its point of contact with the roof and at least two (2) feet (610 mm) higher than any roof or wall within ten (10) feet (3 m) of it. When installed with offsets, the minimum chimney height is fifteen (15) feet. Additional height will increase draft and will decrease the tendency to smoke.
- F. Poor chimney draft-** With no fire, there should be sufficient draft to exhaust cigarette smoke introduced under the baffle. Chimneys installed against an outside wall without protection may generate back draft problems which will cause start-up problems. To prevent this, open a nearby window, roll up a piece of paper and light it. Then, hold it in the upper part of the firebox to warm up the chimney. Wait until the draft is sufficient, then start the fire.
- G. Blower for forced air kit operating -** Make sure that the blower is in the “off” position when you open the fireplace door for reloading.

IMPORTANT CAUTIONS

- A. Do not block the hot air vents to the fireplace as this will cause the fireplace to overheat.**
- B. Never use gasoline, gasoline-type lantern fuel, kerosene, charcoal lighter fluid, or similar liquids to start or ‘freshen up’ a fire in this fireplace. Keep all such liquids well away from the fireplace while it is in use.**
- C. Do not burn coal. The sulphur in coal will corrode the firebox and chimney.**
- D. Do not burn driftwood which has been in the ocean or salt water. The salt will corrode the firebox and chimney.**
- E. Do not burn wood in the area in front of the grate.**
- F. Do not abuse the unit by burning paper, or cardboard or construction material such as pressed wood, plywood or lumber. Wood protectors, metallic paper, coal, plastic, waste, sulphur and/or oil will damage the fireplace.**
- G. Do not allow the wood to smoulder or burn without flame, since this will produce excessive creosote in the unit as well as increased particulate emissions.**

Smoke Detectors Recommended

Since there are always several potential sources of fire in any home, we recommend installing smoke detectors. If possible, install the smoke detector in a hallway adjacent to the room (to reduce the possibility of occasional false activation from the heat produced by these appliances). If your local code requires a smoke detector be installed within the same room, you must follow the requirements of your local code. Check with your local building department for requirements in your area.

Carbon Monoxide Monitor Recommended

Carbon Monoxide Poisoning: Early signs of carbon monoxide poisoning are similar to the flu with headaches, dizziness and/or nausea. If you have these signs, obtain fresh air immediately. Some people are more affected by carbon monoxide than others, including pregnant women, people with heart or lung disease or anemia, those under the influence of alcohol, and those at high altitudes.

It is against federal regulations to operate wood heaters in a manner inconsistent with operating instructions in the manual.

MAINTAINING YOUR FIREPLACE

This wood heater needs periodic inspection and repair for proper operation. Consult the owner's manual for further information. It is against federal regulations to operate this wood heater in a manner inconsistent with the operating in this manual.

Have your product inspected at least once a year by a qualified service technician to ensure gaskets, air tubes, baffles, and venting are in good repair to ensure proper performance. Have degraded items replaced by a qualified service technician.

Creosote - Formation and Need for Removal

When wood is burned slowly, it produces tar and other organic vapors, which combine with expelled moisture to form creosote. The creosote vapors condense in the relatively cool chimney flue of a slow-burning fire. As a result, creosote residue accumulates on the flue lining. When ignited this creosote makes an extremely hot fire.

The chimney shall be inspected at least twice a year during the heating season to determine when a creosote buildup has occurred.

When creosote has accumulated it shall be removed to reduce the risk of a chimney fire.

When the creosote accumulation is large, a creosote fire in the chimney can damage the chimney and overheat the surrounding wood framing. Creosote formation in a chimney can be minimized by making sure there is always visible flame burning, avoid smouldering fires and by proper refuelling techniques.

Chimney Maintenance

Regular chimney inspection and maintenance combined with proper operation will prevent chimney fires. Keep your chimney clean. Do not allow more than 1/16" (1.6 mm) creosote build up in your chimney. The amount of creosote will depend on variables such as frequency of use and type of fire. We recommend that you:

- A. Initially inspect the chimney system weekly. From this, you will learn how often it will be necessary to clean your chimney.
- B. Have your chimney cleaned by a qualified chimney sweep. If you wish to clean it yourself, we recommend using a stiff plastic or non-metallic brush. If a metal brush is used, its size should be slightly smaller than the flue to avoid damaging the chimney. Do not use a brush that will scratch the stainless steel interior of the chimney.
- C. Do not expect chemical cleaners to keep your chimney clean. The rain cap can be removed for inspection and/or cleaning of the chimney.

Top Baffle Removal Prior to Cleaning The Chimney

Before starting to clean your chimney, we recommend that you remove the top baffle to avoid creosote dust collection at the top of the baffle. Follow these steps to set the top baffle out of the way:

1. Remove the side refractory holder. They are located at the top of the refractory.
2. Lift the front baffle.
3. Slide the back baffle under the front baffle. You now have access to the chimney.

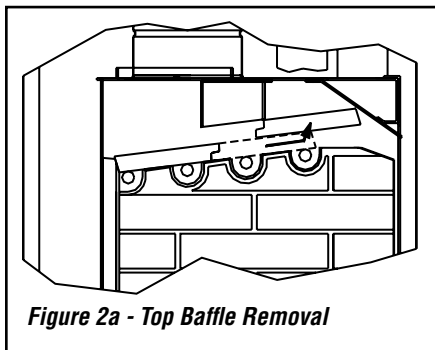


Figure 2a - Top Baffle Removal

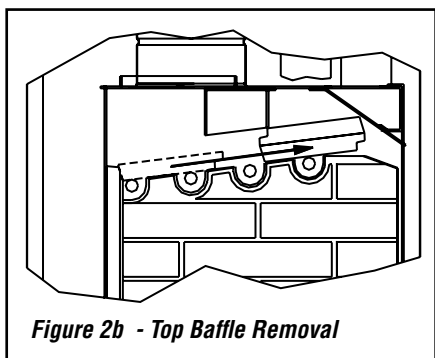


Figure 2b - Top Baffle Removal

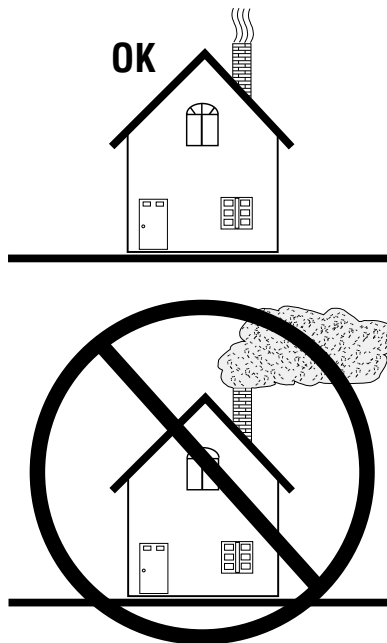
Dealing With a Chimney Fire

Regular chimney maintenance and inspection can prevent chimney fires. If you have a chimney fire, follow these steps:

1. Close the fireplace door and the combustion air controls.
2. Alert your family of the possible danger.
3. If you require assistance, alert your fire department.
4. If possible, use a dry chemical fire extinguisher, baking soda or sand to control the fire. Do not use water as it may cause a dangerous steam explosion.
5. Check outside to ensure that sparks and hot embers coming out of the chimney are not igniting the roof.
6. Do not use the fireplace again until your chimney and fireplace have been inspected by a qualified chimney sweep or a Fire Department Inspector.

Achieving Clean Burns

Check the exhaust in about 15 to 20 minutes (see below). Large amounts of smoke indicate an improper burn setting (either too high or too low). Adjust and recheck in 5 to 10 minutes.



What does "Well-Seasoned" mean?

When a tree is cut down, the wood is green, full of sap and moisture. This moisture content can exceed 80%, which must be reduced to less than 20%. Wood properly seasoned is then capable of generating the heat the stove was designed to provide.

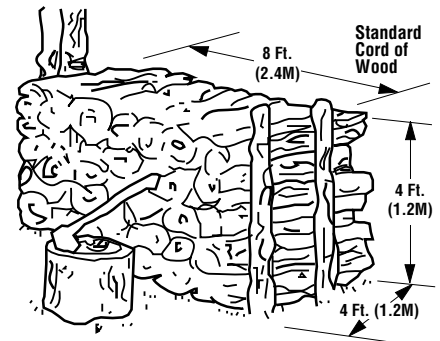
Green wood does not burn easily. Attempting to burn green wood often results in a lot of smoke and very little fire. Time is the most important factor in seasoning wood. Ideally the moisture content should be reduced to 11-20%.

NOTE: The use of a firewood moisture meter is recommended to ensure the firewood contains less than 20% moisture.

Seasoning Guide

Softwoods - 6 months to 18 months
Hardwoods - 12 months to 24 months

Logs that are 5" diameter across or larger should be split in half, three pieces if over 8 inches, and four pieces when over a foot across. If a tree has been dead for 2 - 4 years it still needs to be cut, split, and seasoned for 6 to 24 months depending on the wood.



Prohibited Fuels

This heater is designed to burn natural wood only. Higher efficiencies and lower emissions generally result when burning air dried seasoned hardwoods, as compared to softwoods or to green or freshly cut hardwoods. **DO NOT BURN:**

- Garbage;
- Lawn clippings or yard waste;
- Materials containing rubber, including tires;
- Materials containing plastic;
- Waste petroleum products, paints or paint thinners, or asphalt products;
- Materials containing asbestos;
- Construction or demolition debris;
- Railroad ties or pressure-treated wood;
- Manure or animal remains;
- Salt water driftwood or other previously salt water saturated materials;
- Unseasoned wood;
- Christmas tree branches;
- Paper products, colored paper, cardboard, plywood, or particleboard;
- gasoline;
- naphtha;
- engine oil;
- flammable liquids;
- solvents;
- grease; or
- coal

The prohibition against burning these materials does not prohibit the use of fire starters made from paper, cardboard, saw dust, wax and similar substances for the purpose of starting a fire in an affected wood heater.

Burning these materials may result in release of toxic fumes or render the heater ineffective and cause smoke. Intense firing with these materials may overheat the fireplace, causing damage to the unit, a fire or even possibly igniting a chimney fire if the chimney is creosoted. Burning unapproved fuel, resulting in excessive pollutants being emitted, may be prohibited and subject to a fine or other penalty by the authority having jurisdiction in your area.

Finish Door Casing Care

Use a glass cleaner and a soft cloth to polish the casing. Do not use abrasives such as steel wool, steel pads or an abrasive polish for they may scratch the casing's finish.

DISPOSING OF ASHES

WARNING

Disposal of Ashes: Ashes should be placed in a steel container with a tight fitting lid and moved outdoors immediately. The closed container of ashes should be placed on a non-combustible floor or on the ground well away from all combustible materials, pending final disposal. If the ashes are disposed of by burial in soil or otherwise locally dispersed, they should be retained in the closed container until all cinders have thoroughly cooled.

Whenever ashes get 3 to 4 inches deep in your firebox, and when the fire has burned down and cooled, remove excess ashes. Leave an ash bed approximately 1 inch deep on the firebox bottom to help maintain a hot charcoal bed.

Remove ashes only when the fire is out and the ashes are cold (24 to 48 hours after the fire is out).

Do not leave the ashes in the house as they give off carbon monoxide and other toxic gases.

REFRACTORY REPLACEMENT

The intense heat of the fire will normally cause hairline cracks in the refractory. These cracks can be minimized by proper curing as described in "First Fires". They will not normally diminish the effectiveness of the refractory. If large cracks develop, then the refractory should be replaced. To replace the refractory bricks, follow these steps:

1. Remove the front refractories
 2. Remove the bottom refractory
 3. Remove the left side refractory
 4. Remove the right side refractory
 5. Remove the back refractory
 6. Remove the front ceramic baffle
 7. Remove the rear ceramic baffle
- To install the new refractories, follow the above steps in reverse.

DOOR INSTALLATION

The door must be installed only when the installation of the WCT4820WS fireplace is completed. All you have to do is fit the male part of the hinge, already on the door, to the female part, which is on the fireplace.

To remove the door, simply pull the door up from the hinges.

The door adjustment has been set at the factory. If the fit is still not perfect, you can adjust the door using the hinge screws.

DOOR ADJUSTMENT

The door may need to be adjusted to be completely airtight. The gaskets' air-tightness can be adjusted using the adjustment screw located on the right side of the fireplace facade (An Allen key #1/8 – not supplied - will be necessary for this adjustment).

Checking Door Seal - A one-inch strip of paper may be used to perform a test of the integrity of the door seal. Close the door on the paper in at least eight points. It is normal to feel only a slight amount of friction. The door gasket does not need to be "tight" in all areas, since a small amount of leakage is not hazardous or detrimental to the performance of your fireplace.

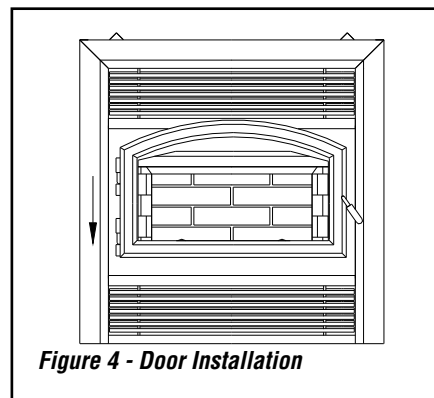


Figure 4 - Door Installation

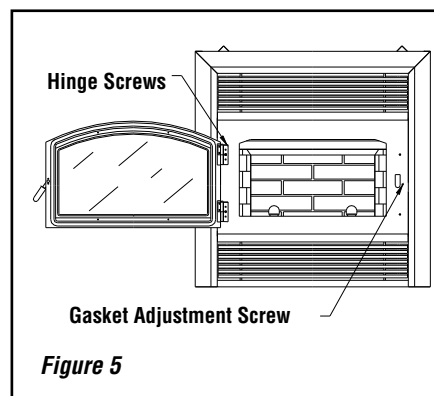


Figure 5

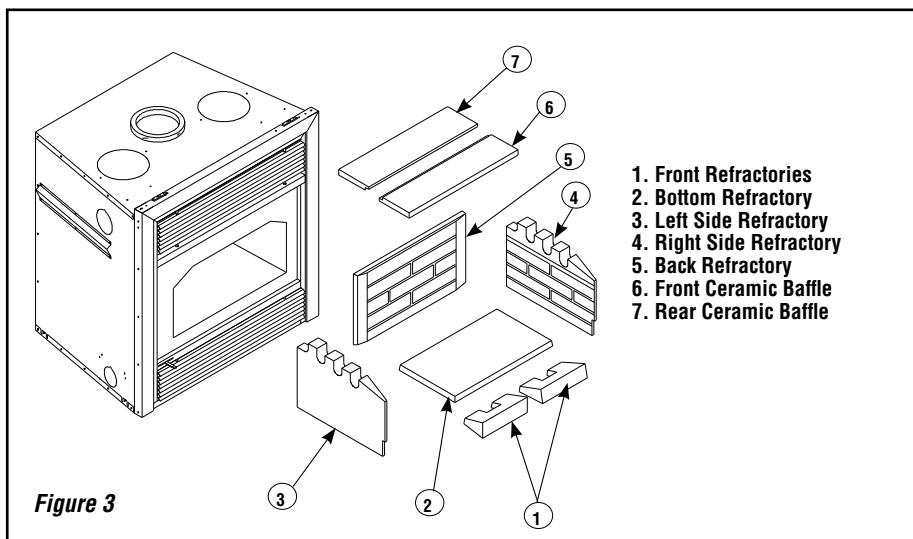


Figure 3

1. Front Refractories
2. Bottom Refractory
3. Left Side Refractory
4. Right Side Refractory
5. Back Refractory
6. Front Ceramic Baffle
7. Rear Ceramic Baffle

WARNING

- Use only a IHP glass doors, specifically designed for the WCT4820WS fireplace.
- The fireplace cannot be operated without door or firescreen. Consult your dealer to select the correct replacement door or firescreen.
- Important! To assure proper alignment of glass doors: Install this fireplace in a square and plumb condition, using shims as necessary at sides and/or bottom.

GLASS CARE

Glass Replacement

The glass used for the WCT4820WS fireplace is a high temperature ceramic glass (1,400° F / 760° C). If the glass breaks, it must be replaced with an identical ceramic glass. Tempered glass or ordinary glass will not withstand the high temperatures of the WCT4820WS fireplace. Replacement glass should be purchased from a IHP dealer (see "Replacement Parts", **Page 25**). **DO NOT OPERATE THE UNIT WITH CRACKED OR BROKEN GLASS.**

Glass Cleaning

The WCT4820WS fireplace is designed to keep the glass clean under normal operating conditions. If the WCT4820WS fireplace is operated continuously with the combustion air controls closed, the glass will tend to get dirty unless the fuel, firebox and glass are maintained at hot temperatures (see "Refueling For Best Performance"). To clean the glass, there are a number of specially designed cleaners. Your IHP dealer can recommend a suitable cleaner which is available in your area. Regular household glass cleaners will not clean creosote. **Do not use abrasives such as steel pads, steel wool or oven cleaner as they will scratch the glass.**

DO NOT USE CHEMICAL GLASS CLEANERS ON PAINTED SURFACES AS IT MAY CAUSE THE PAINT TO PEEL.

CAUTION: DO NOT ALLOW WINDOW CLEANER TO GET IN CONTACT WITH DOOR OR PAINT ON FACADE OR DOOR. ONCE CLOSED, CONTACT OF GLASS CLEANER WITH THE FIREPLACE FACADE CAN PROVOKE PAINT PEELING OFF.

Gasket Replacement

Remove the door from the unit (see **Page 7**) and lay it on a clean unabrasive surface. To replace the gasket, first remove all of the old gasket and gasket cement. Make sure that the surface is totally clean before applying new cement (a high temperature silicone caulking rated at 500° F [260° C] is suitable) or adhesion problems may result. Apply gasket cement to the gasket channel and install the new gasket. This replacement part is available from your IHP dealer in the following dimensions:

Gasket	Length*	Dimensions	Part No.
Around Glass	69 (1753)	5/16" dia. (8)	SR1823H
On Door Frame	73 (1854)	5/8 dia. (15.9)	SR1823G

Table 1 * Inches (millimeters)

FIREPLACE INSTALLATION

Locating The WCT4820WS Fireplace

The best location to install your fireplace is determined by considering the location of windows, doors, and the traffic flow in the room where the fireplace is located, allowing space in front of the unit for the hearth extension and the mantel, and taking into consideration the location of the hot air ducts (optional), outside air kit and chimney.

If possible, you should choose a location where the chimney will pass through the house without cutting floor or roof joists (see fireplace dimensions **Page 10**).

Usually, no additional floor support is needed for the fireplace. The adequacy of the floor can be checked by first estimating the weight of the fireplace system. Weights are given in the appendix. Note the floor construction and consult your local building code to determine if additional support is needed.

The WCT4820WS fireplace may be installed directly on the floor or on a raised base (for proper guidelines, refer to "Hearth Extension Requirements") and a minimum of 6'8" (2 m) measured from the base of the appliance to the ceiling is required.

When selecting the location, the chimney outlet position and the direction of the wind are important factors affecting the chimney performance. To allow a maximum draft and to reduce wind turbulence, the chimney must:

- Penetrate the highest part of the roof.
- Be installed as far as possible of roof offsets, trees or any other obstructions that may cause wind turbulence and back drafts in the chimney.
- The least amount of offsets (elbows) possible. **NOTE: A maximum of 2 offsets is allowed.**

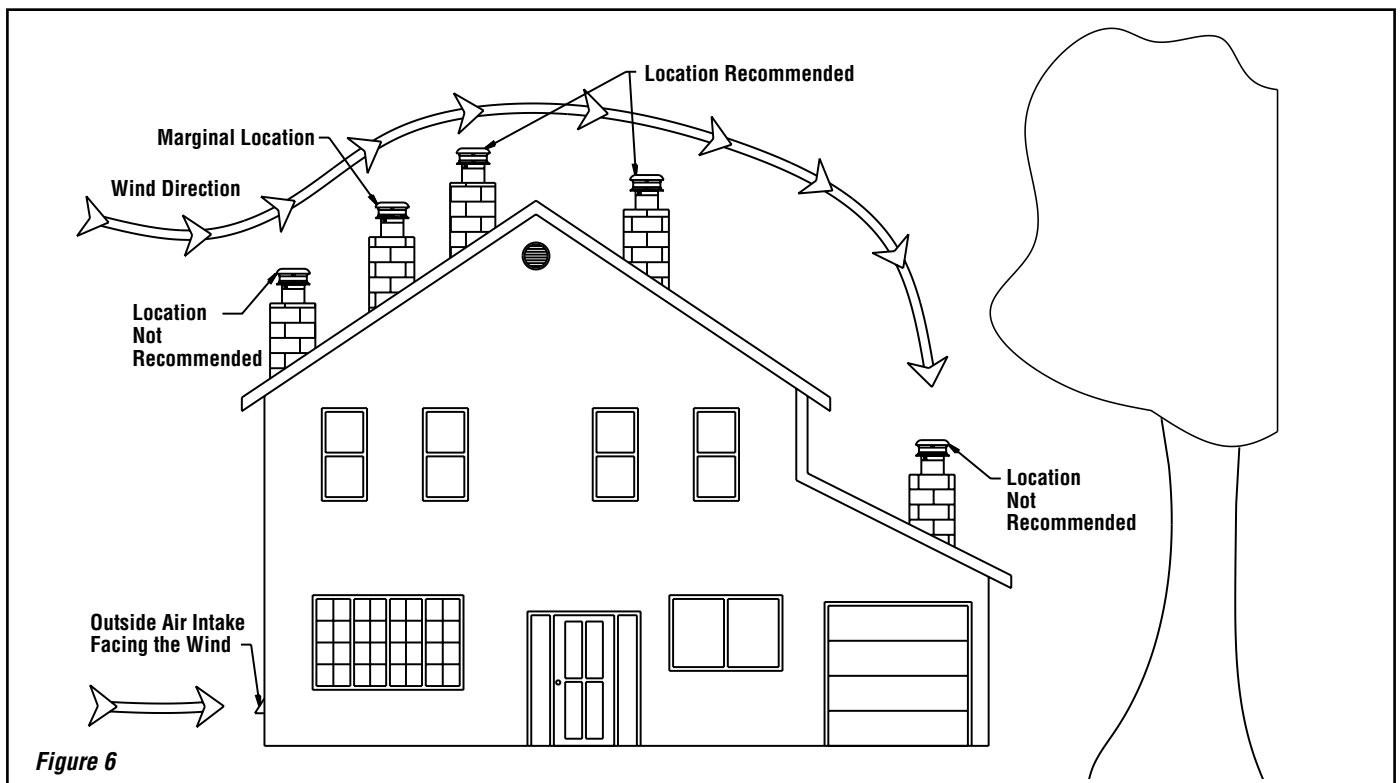


Figure 6

Framing, Facing And Mantel

The construction of the framing, facing, and mantel must be in accordance with the standards and the following illustrations (**Figures 7, 8 and 9**):

- A. Frame the fireplace using 2" x 3" or heavier lumber.
- B. **WARNING: Combustible materials cannot be used in the space directly above the fireplace, except for the studs above the facade that support the facing and mantel. This area must remain empty for a height of 6'8" (2,032 mm) measured from the base of the appliance.**
- C. Frame the fireplace with vertical studs at the sides of the fireplace running from floor to ceiling (see **Figure 9**). If combustible facing is to be used, position the studs back, from the front edge of the fireplace (a space that is the thickness of the facing material, so that the facing can be installed flush with the fireplace facing). Frame headers between the vertical studs only as follows:
 - Place 2" x 3" or 2" x 4" headers, only along the upper part of the front, side and back faces (some codes may require a 2" x 6" on an outside bearing wall). Do not put wood or any combustible material within the area above the fireplace except on the front facing.
 - Place headers only as required to support the facing and mantel.
- D. **WARNING: The fireplace must not be in contact with any insulation or loose filling material. Cover the insulation with Drywall panels around the fireplace.**

Hearth Extension Requirements

The WCT4820WS fireplace may be installed directly on a combustible floor. The supplied safety metal strip must be positioned as follows: One half under the front of the fireplace and the other half must extend on the floor over which the hearth extension will be built (see **Figure 7**).

* The safety metal strip must cover the entire width of the fireplace

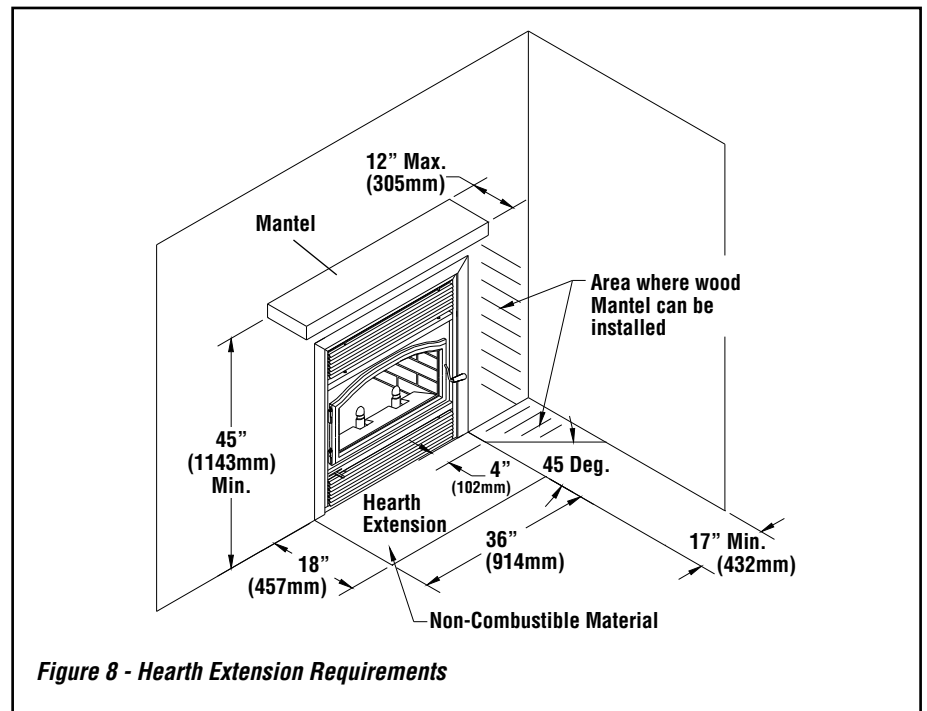
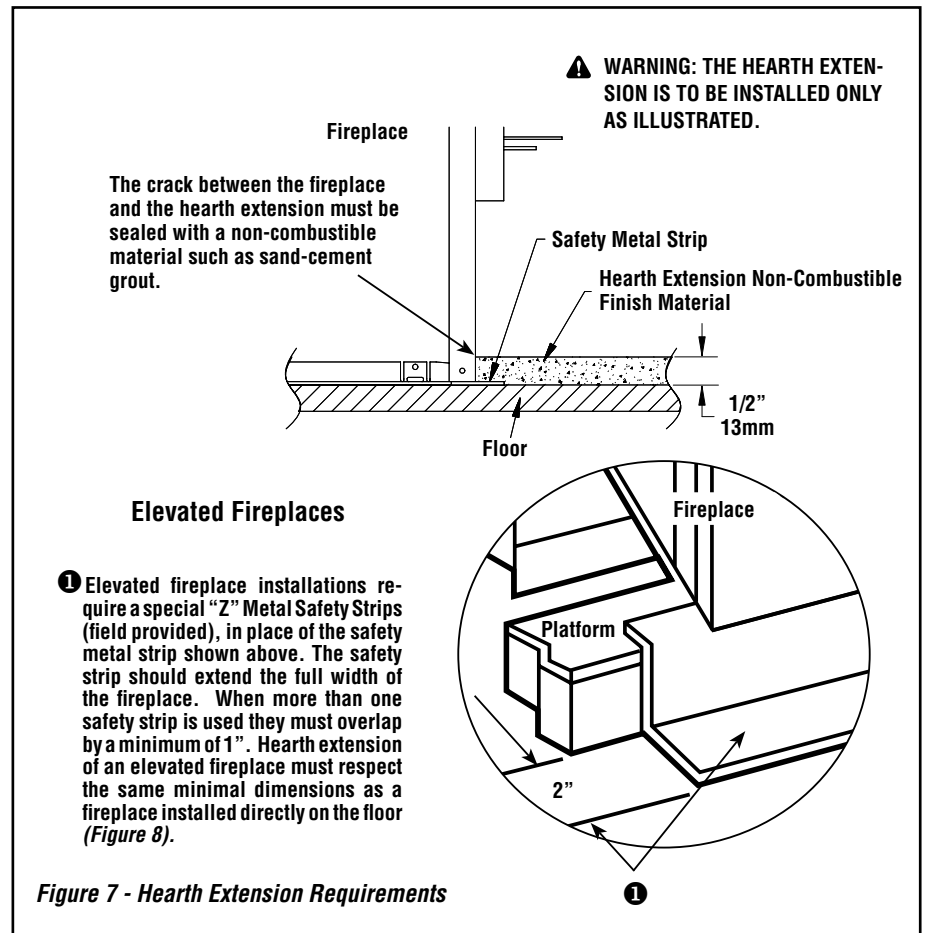
The combustible floor in front of the fireplace must be covered with a non-combustible material (tile, marble, stone, etc). See **Figures 7 and 8**.

COLD CLIMATE INSTALLATIONS

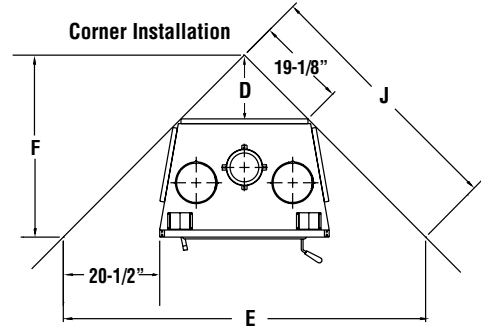
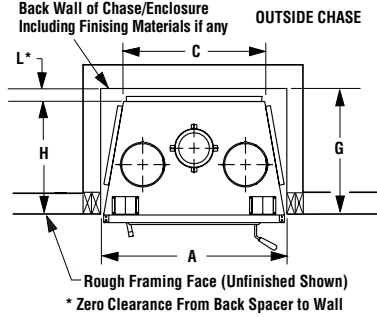
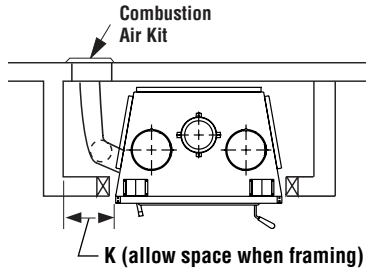
Climates where temperatures will fall below 32° F (0° C).

The heating performance of the appliance will vary depending upon the level of insulation, house design, how the appliance is operated, etc.

If this fireplace is being installed in a cold climate, it is especially important to seal all cracks around the fireplace and wherever cold air could enter the room with noncombustible material.



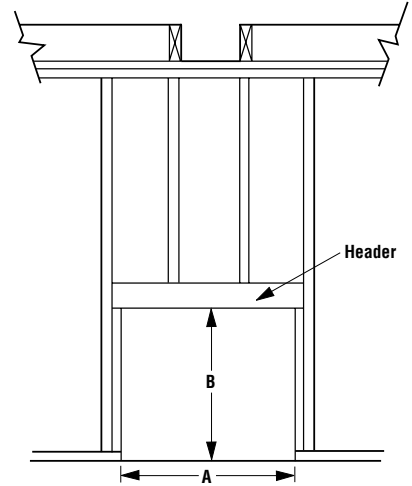
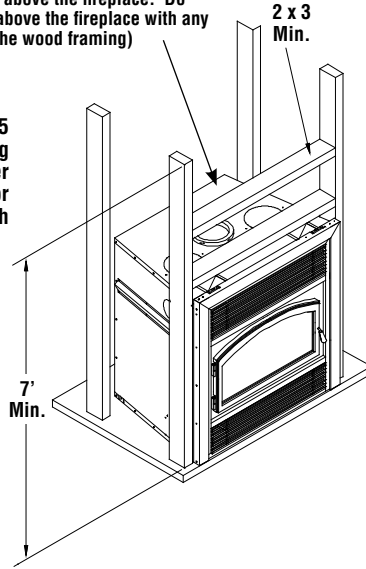
Also, the outside air inlet duct should be wrapped with noncombustible insulation to minimize the formation of condensation. Do not place insulation materials directly against the chimney sections. We recommend that you use the insulated wall radiation shield since it will maintain the home's thermal barrier. AC chimney is NOT recommended in very cold climates (in areas with temperatures below 32°F (0°C)).



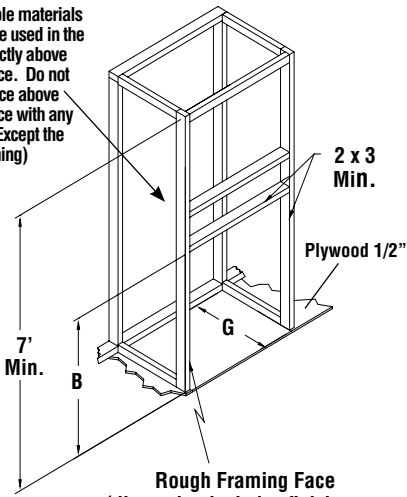
FRAMING DIMENSIONS		
A	36-3/8"	924 mm
B	37"	940 mm
C	28-1/8"	714 mm
D	13-1/2"	343 mm
E	77"	1956 mm
F	38-1/2"	978 mm
G	*24-1/2"	603 mm
H	23-1/2"	597 mm
J	54-1/2"	1383 mm
K	8"	203 mm
L	1"	25 mm

Combustible materials can NOT be used in the space directly above the fireplace. Do not fill the space above the fireplace with any material (Except the wood framing)

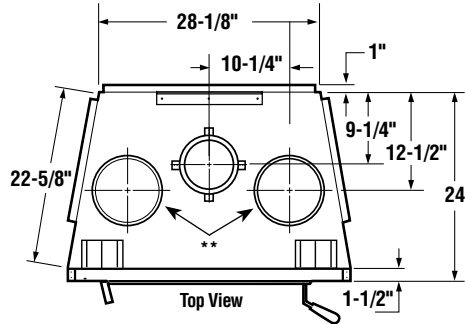
* Total depth is 25 inches including the back spacer minus 1/2 inch for drywall to be flush with the facing.



Combustible materials can NOT be used in the space directly above the fireplace. Do not fill the space above the fireplace with any material (Except the wood framing)

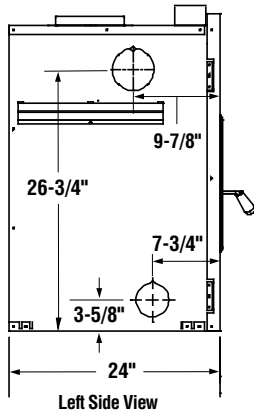


Rough Framing Face (dimension includes finish material inside framing, if any)

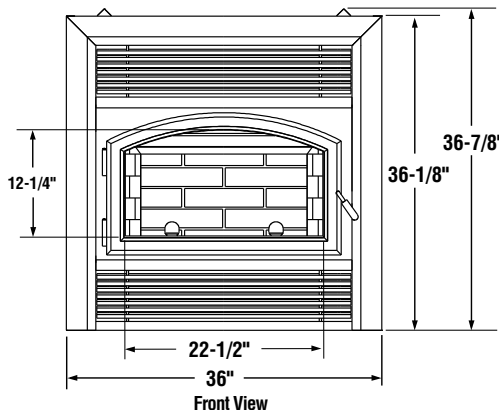


Notes
 Diagrams, illustrations and photographs are not to scale – consult installation instructions. Product designs, materials, dimensions, specifications, colors and prices are subject to change or discontinuance without notice.
 All framing dimensions calculated for 1/2" dry wall at the fireplace face. If sheathing the chase or finishing with other thickness materials, calculations will need to be made.
 * The fireplace must not be in contact with any insulation or loose filling material. Cover the insulation with Drywall panels around the fireplace.

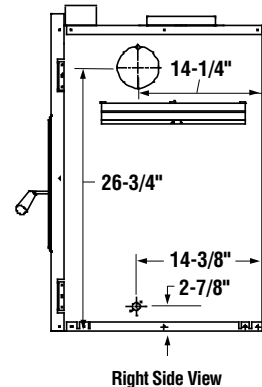
**Gravity Vent Outlets



Left Side View



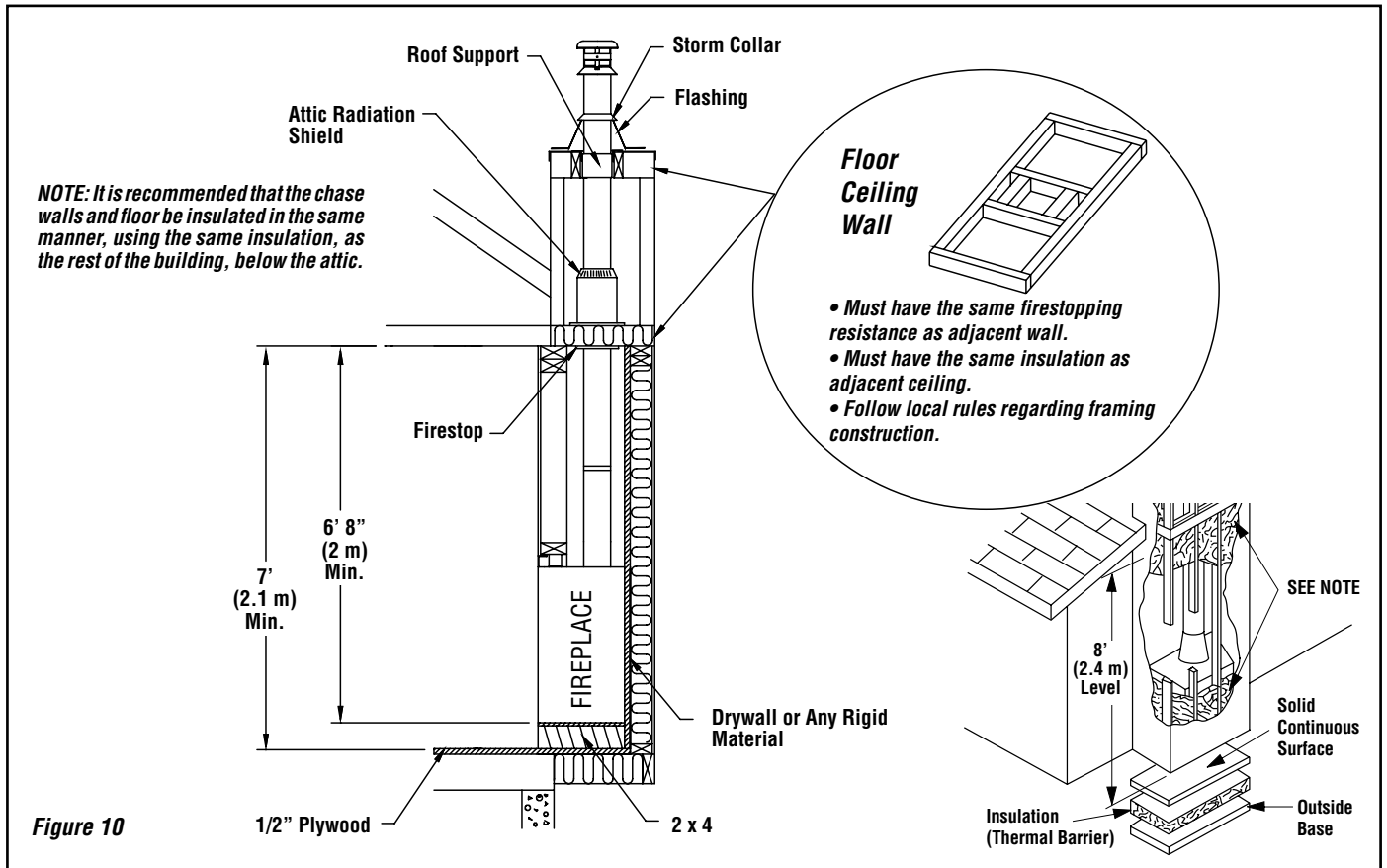
Front View



Right Side View

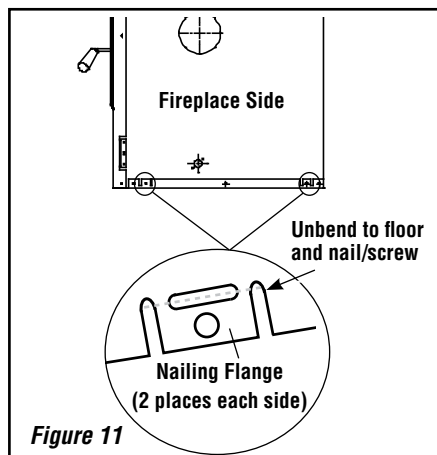
Figure 9 - Fireplace and Framing Dimensions

Insulated Chase Construction



Nailing Flanges

Four nailing flanges are provided to secure the fireplace to the floor (see **Figure 11**). Bend the nailing flanges down so that each flange is flush with the floor, then using nails or screws, secure the fireplace to the floor (2 places each side). The heads of the screws or nails must be large enough to completely cover the holes in the nailing flanges.



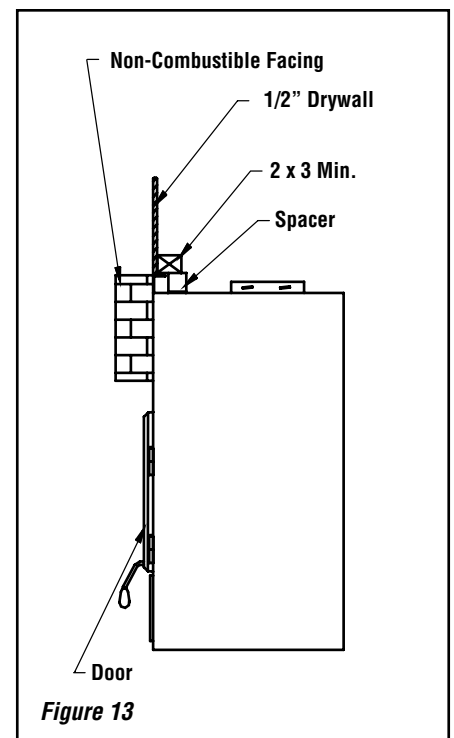
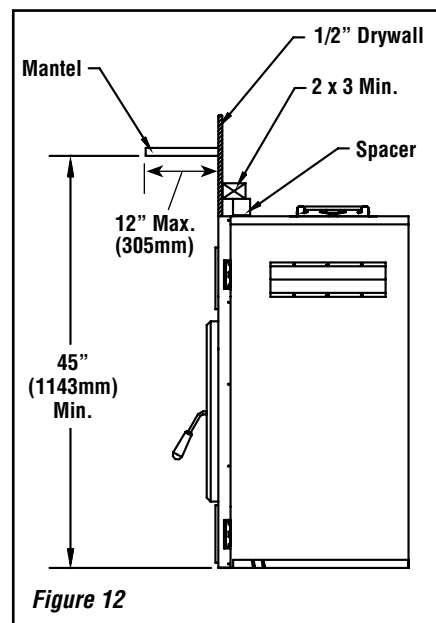
Facing

1. Combustible material must be installed flush with the fireplace. It may not project in front of and on the fireplace (i.e. the steel facade of the fireplace) (**Figure 12**).

2. Non-combustible materials such as brick, stone or ceramic tile may project in front of and onto the fireplace facing (**Figure 13**).

Mantel

The mantel must be installed at least 45" (1143 mm) above the base of the fireplace (**Figure 12**).



HOT AIR DUCTING INSTALLATION

The WCT4820WS fireplace is approved for use with a Gravity Kit.

Gravity Kit

The gravity kit is designed for double hot air outlets and includes: (See **Figures 14 and 15**)

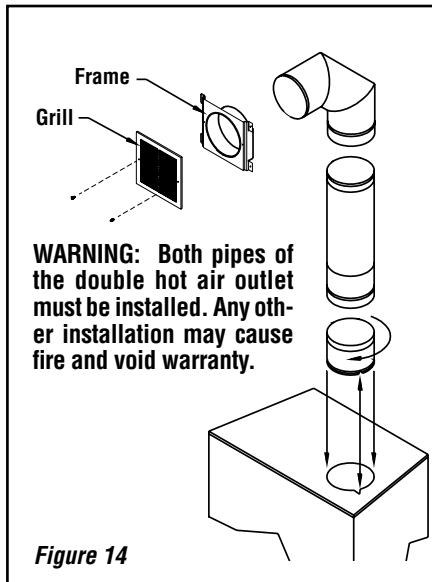
- 2 telescopic lengths 8" I.D.
- 2 90° elbows 8" I.D.
- 2 hot air outlet kits (grill and frames)
- 2 adaptors

See *Gravity Kit Accessories* on **Page 22**.

The only blower that can be used with the gravity kit is the UZY5.

The gravity kit allows you to block the upper louver of the fireplace. To do so, follow the steps below:

- a) Remove the upper louver from the fireplace.
- b) Install the black panel (BWCF) making sure that the insulation strip is installed inside.
- c) The fireplace facade can be covered with non-combustible material (**Figure 16**).



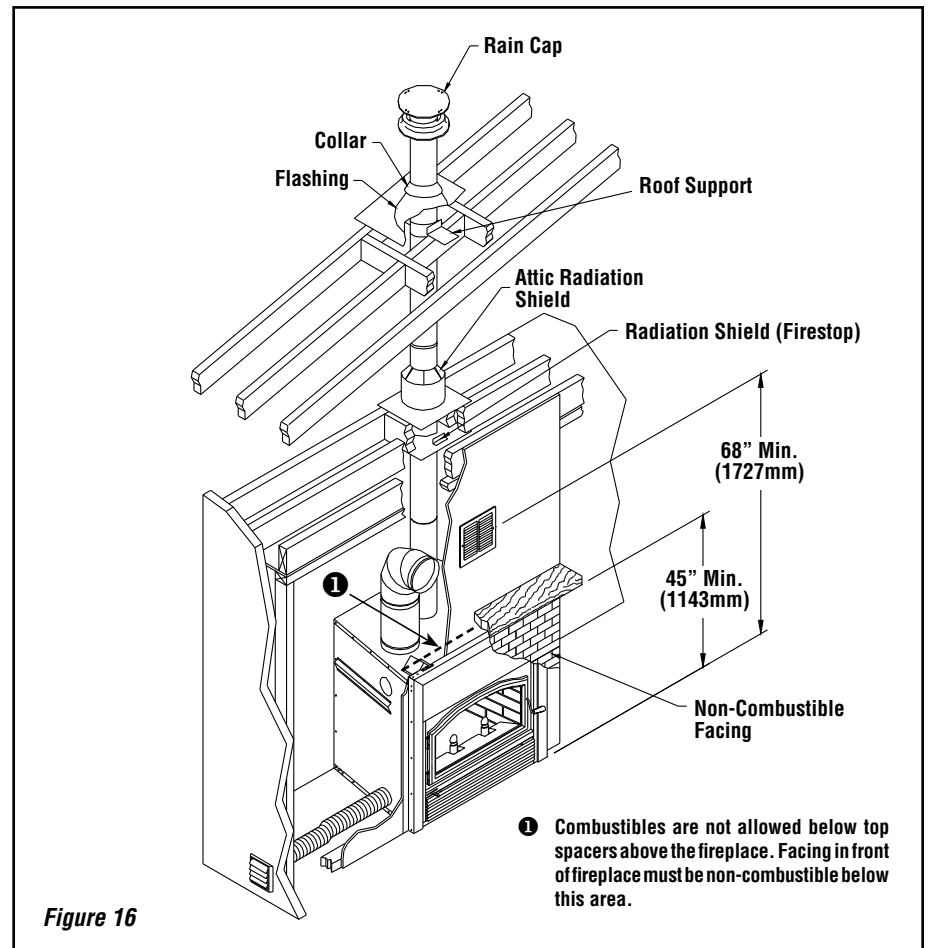
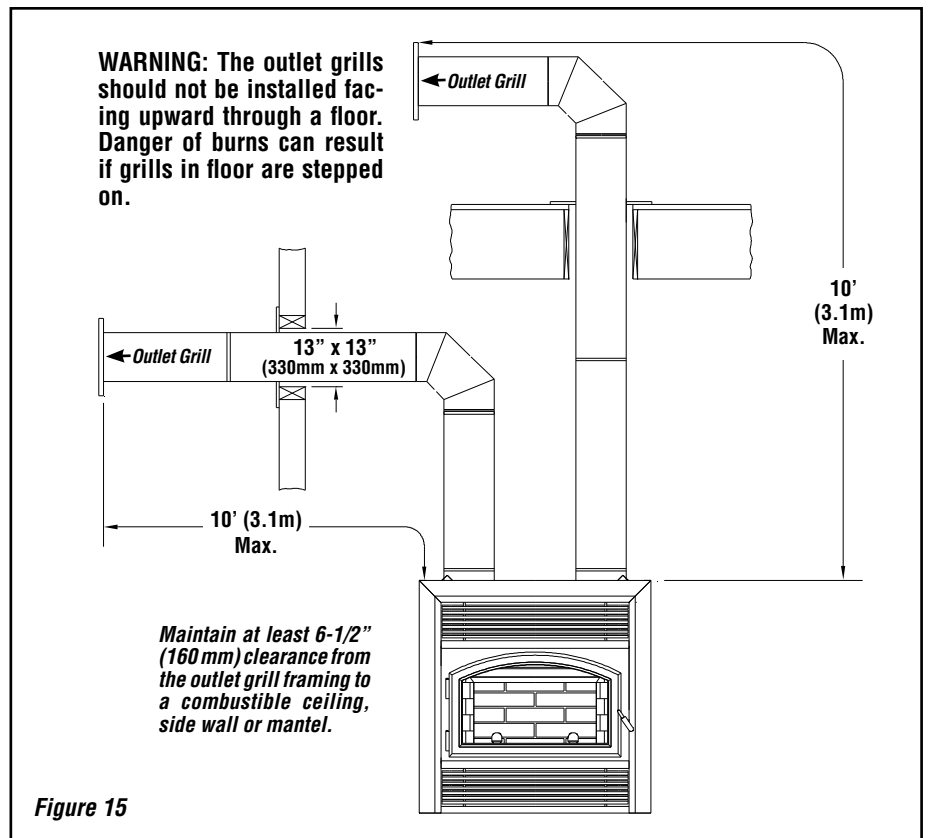
For safe installation, the gravity kit must meet the following requirements:

Minimum height* 68" (1,727 mm)
Maximum length See **Figures 14 and 15**

* The height of the louver must be measured from the base of the WCT4820WS fireplace to the middle point of the louver.

To extend the double outlet system forward of the WCT4820WS fireplace (not flush), it will be necessary to purchase two adjustable lengths (H8951).

When installing the double outlet system, the hot air outlets can be installed in the same room as the fireplace, or one or both of the outlets can be installed in adjacent or upper rooms. Installing the ducts at different elevations will tend to exhaust more heat out of the higher outlet (**Figure 15**).



The duct system must be installed respecting the following:

1. Remove the plates closing up the 8" dia. holes on top of the fireplace. Then, cut the insulation in order to obtain two 8" dia. openings. Fix the adaptors on the fireplace openings by turning clockwise (**Figure 14**).
2. Maintain at least a 2" (50 mm) clearance between the ducts and any combustible material; the required hole size is 13" x 13" (330 mm x 330 mm).
Exception #1: For the grills, the framing can be 10-3/4" x 10-3/4" (275 mm x 275 mm) to provide the clearance as required by the integral spacers on the double outlet duct system.
3. The maximum number of elbows in a run of duct is two.
4. Maintain at least 6-1/2" (160 mm) clearance from the outlet grill framing to a combustible ceiling, side wall or mantel.
5. When traversing a combustible wall or floor, a firestop must be installed at the wall or floor penetration. The hole size must be 13" X 13" (330 mm x 330 mm).
6. Do not connect the hot air ducts to a central heating system. Malfunction of the heating system's blower will cause the fireplace to overheat. A furnace duct is only single wall and not double wall as is required for the WCT4820WS fireplace hot air exhaust.
7. Use only IHP grills and components as described in this manual. Other grills or registers, for example, may be too restrictive and may overheat the fireplace or ceiling.
8. Do not use insulated flexible ducts as they will overheat.
9. Do not use tees or any other components than the ones specifically listed here.
10. Never allow the ducting to pitch down as hot air will be trapped creating a fire hazard.
Never route the ducting downwards.
11. The hot air outlet grills must be installed with the louvers pointing downwards in order to prevent overheating adjacent ceilings.
12. Always install the two outlet grills when using the double hot air outlet kit and blocking the upper louver of the fireplace.

CENTRAL FORCED AIR KIT (NOT TESTED UNDER EPA CERTIFICATION)

The knock-outs provided on the back and on the sides of the WCT4820WS fireplace allow the connection of insulated flexible pipe which enables you to heat adjacent rooms up to 50 feet from the fireplace.

The ducting system must be installed as described below:

- A) Fix the adaptor at the back and/or the side of the fireplace by twist-locking the adaptor to the fireplace. You can use more than one outlet on the fireplace (**Figure 17**).
- B) Attach the 5" flexible pipe, using the collars provided. Important: Make sure that the plastic wrapping around the flexible pipe will not be in contact with the fireplace.
- C) Route the flexible pipe to the chosen location. The ducting system can be installed either in an upper room or in a lower room.
- D) Attach the flexible pipe to the fan, using the collars (**Figure 18**).

- E) Fix the back draft damper to the fan outlet.
- F) Attach a flexible pipe to the fan / flexible pipe adapter (square to round) and stretch it up to the location where the heat is required.
- G) At that point, the flexible pipe can be attached to any air distribution grill. It is possible to connect a flexible pipe to a central heating system. Make sure the pipe will be connected to the warm air supply duct, not to the return air duct (**Figure 19**).
- H) Install the blower heating and cooling thermostat (HCTW) in that part of the house to be heated by the hot air duct. The thermostat can be switched to a cooling thermostat and installed in the same room as the unit. This thermostat will turn on the blower when the room where the fireplace is located becomes too hot.

This option requires electricity. Make sure that the connections to the fan have been made according to the local codes and comply with their requirements (see instruction provided with the thermostat).

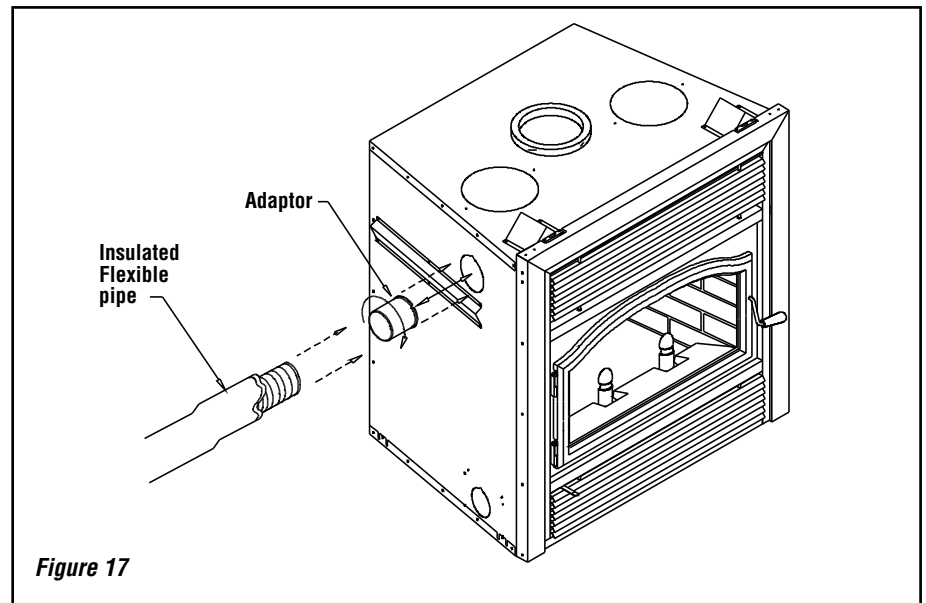


Figure 17

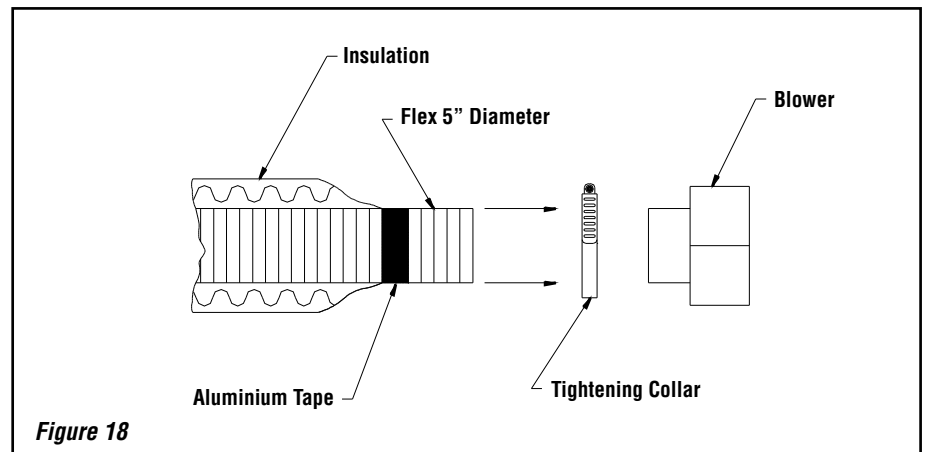


Figure 18

OUTSIDE AIR KIT - REQUIRED

During operation, the fireplace requires fresh air for combustion and draws air out of the house. It may starve other fuel burning appliances such as gas or oil furnaces. As well, exhaust blowers may compete for air, causing negative pressure in the house, resulting in smoke entering the house from the fireplace. This situation is aggravated in modern airtight houses. To overcome this problem, we strongly recommend that you install an outside air assembly. Check with local authorities having jurisdiction in your area, it may be mandatory.

NOTE: Should you decide not to install the outside air assembly, proceed as follows:

- Remove the bottom grill. The air box is located on front left and is on a slant.
- Unscrew the four screws holding the inside air box covering plate and remove it.

Outside Air Installation

The outside air assembly may be installed according to the following requirements:

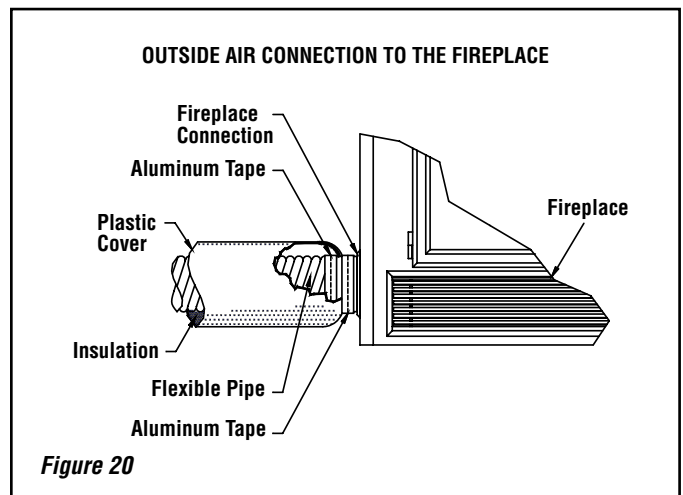
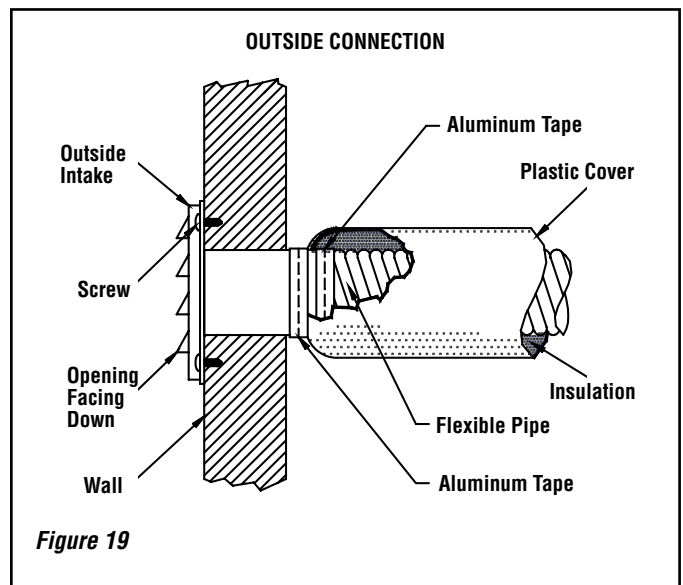
- Duct length should be kept to a minimum. The maximum length of duct is twenty (20) feet (6.1 m) for a 4 in. dia. pipe (See note below).
- The air intake register must not be installed more than ten (10) feet (3050 mm) above the base of the fireplace.
- The fresh air must come from outside the house. The air intake must not draw air from the attic, from the basement or garage.
- The air intake should be installed where it is not likely to be blocked by snow or exposed to extreme wind and away from automobile exhaust fumes, gas meters and other vents.
- The duct and register may be installed above or below floor level.

The following components are required:

- Outside air kit (UZI) (includes 4 inch flex that goes up to ten (10) feet long)
- 4" Adaptor for fireplace connection (supplied with the unit)

Make a 4-1/4" (110 mm) hole in the outside wall of the house at the chosen location. From outside, place the outside air register in the hole (open side down) and fasten the register to the wall, with screws as shown (see **Figure 19**). Slip the pipe into the insulated sleeve. Place the insulated pipe over the register tube and over the fireplace's outside air connector (see **Figure 20**). At each end, carefully pull back the insulation and plastic cover exposing the flexible pipe. Using the aluminium tape provided, wrap the tape around the joint between the flexible pipe and the air inlets. Carefully push the insulation and plastic cover back over the pipe. Using aluminium tape, fasten the plastic cover in place.

NOTE: We recommend not to exceed 20 feet of 4" flexible pipe. If you require a longer length we recommend that you use a 5" diameter flexible pipe for the complete run up to 30 feet and a 6" diameter pipe for a run of up to 40 feet.

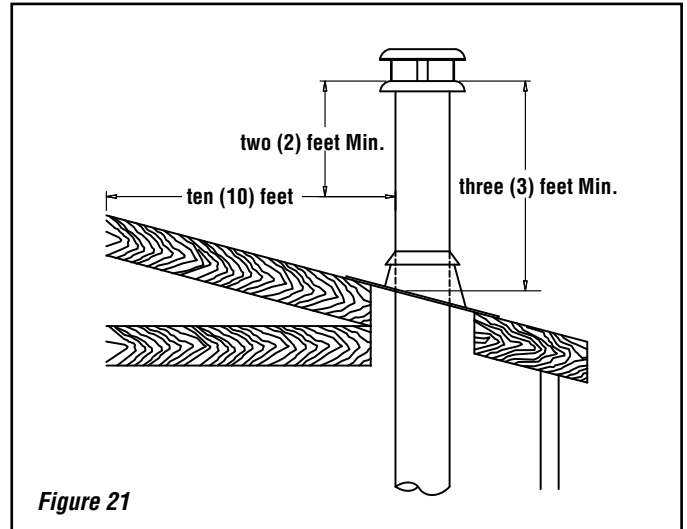


THE CHIMNEY SYSTEM

Chimney Installation Notes

1. **This appliance is equipped with a universal vent collar that will require the first vent section of pipe to be secured with four screws to the collar (equally spaced around circumference).**
2. Always install an interior chimney as it will provide better performance. In areas with continuous temperatures below - 18° C (0° F), the use of an exterior chimney increases the likelihood of operating problems such as low draft, high rate of creosoting, and poor start-up characteristics. Exterior chimneys are also prone to down drafting and flow reversal. Installations, which are located on lower floors in the house, such as in a basement, in combination with outside chimney, are especially prone to flow reversal. If interior installation is impossible, install an AC chimney enclosed in an insulated chase.
3. The fireplace model WCT4820WS may be installed only with Security Chimneys International Ltd 6" diameter chimney systems* or DuraVent model DuraTech® DTC chimney systems**.
4. A chimney venting a fireplace shall not vent any other appliance.
5. The minimum chimney height is 12 feet (3.7 m). In altitude, add 18" (450 mm) to the chimney for every 2,000 feet (600 m) above sea level.
6. **All chimney installations must include at least one support.** The maximum length of chimney that can be supported by the fireplace is 26 feet (8 m).
7. The chimney must extend at least three (3) feet (915 mm) above its point of contact with the roof and at least two (2) feet (610 mm) higher than any wall, roof or building within ten (10) feet (3m) of it (**Figure 21**).
8. If the chimney extends higher than five (5) feet (1,500 mm) above its point of contact with the roof, it must be secured using a roof brace.
9. A rain cap must be installed on top of the chimney. Failure to install a rain cap may cause corrosion problems.

10. Cut and frame square holes in all floors, ceilings, and roof that the chimney will go through to provide a 2" (50 mm) clearance between the chimney and any combustible materials. Do not fill this 2" space with insulation or any other combustible material.
11. Portions of the chimney which may extend through accessible spaces must be enclosed to avoid contact with combustible materials or damage to the chimney.
12. When offsets are used, the pipe may not penetrate a ceiling or floor unless it is running vertical (no 30° offsets).



NOTE: 2" clearance to combustibles around chimney components required.

NOTE: Blown or fill type insulation materials must not be in contact with the fireplace or in the enclosure frame as described in "Enclosure" section.

NOTE: Local codes may not require firestopping at the ceiling levels for outside chase installations. However, it is recommended for safety and the reduction of heat loss.

CHIMNEY INSTALLATION INSTRUCTIONS

1. Cut and frame the holes in the ceiling, floor and roof where the chimney will pass (see **Figure 22**). Use a plumb-bob to line up the center of the holes. The sizes are indicated in **Table 2** for the floor and ceiling holes and **Table 3** (Page 17) for the roof holes.

CHIMNEY MODEL	SQUARE HOLE SIZE OPENING
ASHT / HT6103+ *	12-3/8" (314 mm)
DuraTech DTC **	12-3/8" (314 mm)
S-2100+ / HT6000+ *	14-1/8" (359 mm)
AC	15 in (380 mm)

NOTE: See Table 3 for Sloped Roof Framing
Table 2 - Flat Roof Framing

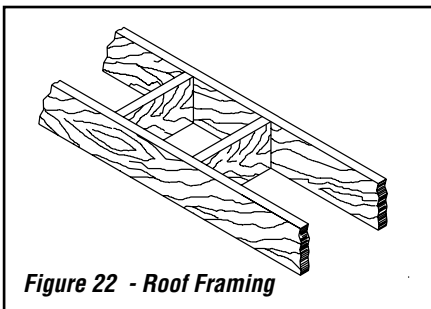


Figure 22 - Roof Framing

2. From below, install a firestop in each ceiling/floor separation through which the chimney will pass. At the attic level, install an attic radiation shield from above (**Figures 23a through 23d**).
3. For ASHT/HT6103+ AND S2100+/HT6000+ chimneys* place the first chimney length on the fireplace. To lock it in place, turn 1/4 of a turn clockwise. With the AC chimney*, you must use a starter section, **AC6SB*** or **AC6SB30***, before installing the first chimney length (**Figure 24**). Continue installing chimney lengths making sure to lock each length in place.
4. Every time the chimney passes through a ceiling or a wall, install the appropriate firestop. When you reach the desired height, install the roof support. When installing a support, slightly lift the chimney system so the weight will lie on the support, not on the fireplace to reduce expansion noises (Refer to instructions included with the support).
5. Then, put the roof flashing in place and seal the joint between the roof and the flashing with roofing pitch (see **Figures 24 and 25**). For sloping roofs, place the flashing under the upper and on top of the lower shingles. Nail the flashing to the roof, using roofing nails.
6. Place the spacers and the storm collar over the flashing, and tighten it with the bolt supplied. Finally, seal the joint between the storm collar and the chimney, using silicone caulking.
7. Install the chimney cap. Once the chimney cap is in place, the roof flashing can be washed with a solvent or vinegar and then painted with rust-proof paint.

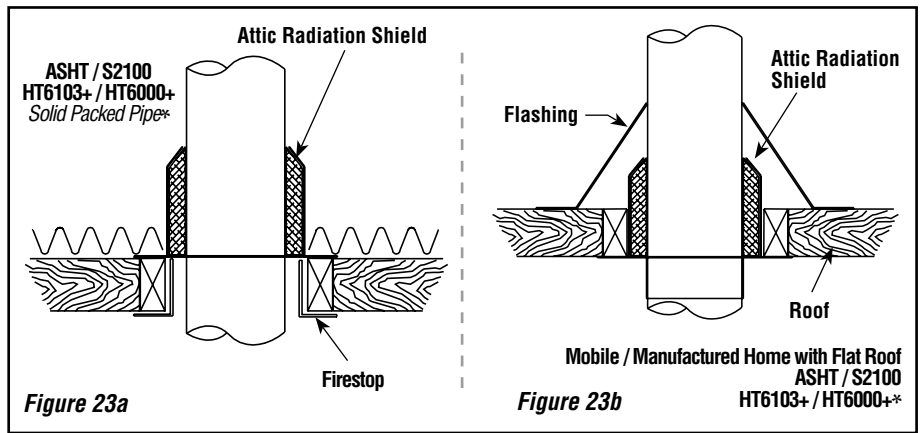


Figure 23a

Figure 23b

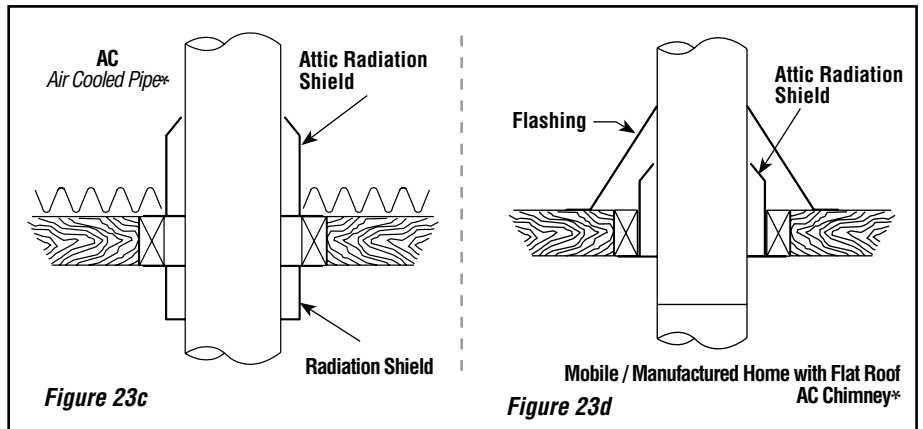


Figure 23c

Figure 23d

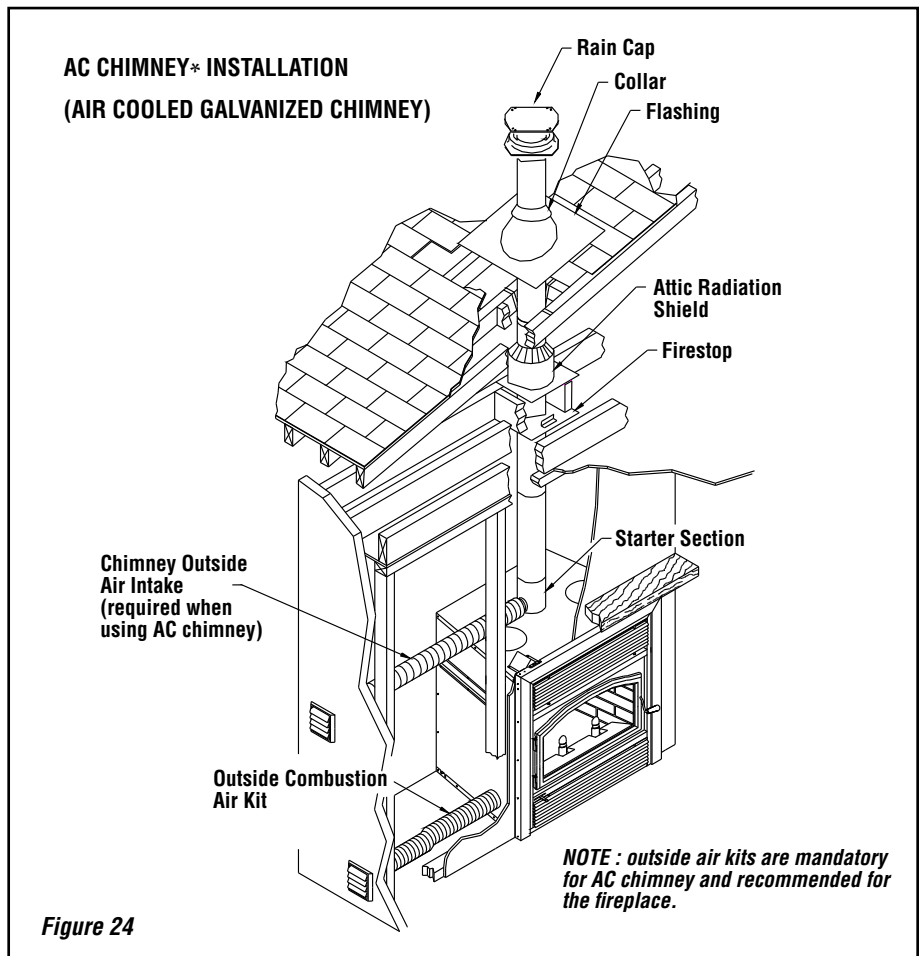
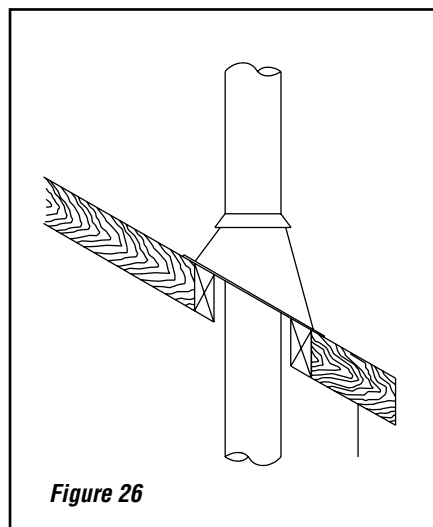
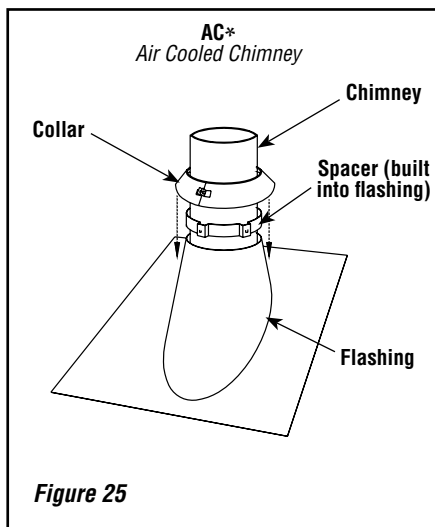


Figure 24

NOTE: DIAGRAMS & ILLUSTRATIONS ARE NOT TO SCALE.

*Available from Security Chimneys™
**Available from DuraVent®



After reaching the location requiring the elbow, proceed as follows:

ASHT* / HT6103+* / S-2100+* / HT6000+* / DuraTech DTC Chimneys***

1. Install the first elbow; turn it in the required direction. Fasten it to the chimney with the three (3) 1/2" (12 mm) metal screws provided with the elbow.
2. Install the necessary chimney lengths to achieve the required offset. Lock the chimney lengths together: it is recommended to use three (3) 1/2" (12 mm) screws. If the offset length is made of two (2) chimney lengths or more, use an offset or roof support halfway up the offset. If penetrating a wall, install a wall radiation shield (see **Figures 28 and 30**).
3. Use another elbow to turn the chimney vertically. Secure the elbow, using three (3) 1/2" (12 mm) screws (provided with the elbow).
4. Use a plumb-bob to line up the center of the hole. Cut a hole for the chimney in the ceiling/floor. Frame this hole as described previously (refer to section *Chimney Installation Instructions*).
5. From below, install a firestop (See **Figure 23a**).
6. A support (ST or SO+*) must be used on the first 15' section (5 m).
7. Continue with the regular installation.

AC Chimney*

1. Install the first elbow. Turn it in the required direction. To lock it in place, turn 1/8 of a turn. Fasten the straps attached to the elbow to the surrounding frame, using nails or drywall screws (**Figure 28**).
2. Install the necessary chimney lengths to achieve the required offset. Lock the chimney lengths together. If penetrating a wall, use a wall radiation shield.
3. Use another elbow to turn the chimney vertically. Lock it to the chimney. Fasten the straps attached to the elbow to the surrounding framing using nails or drywall screws.
4. Use a plumb-bob to line up the center of the hole. Cut a hole for the chimney in the ceiling. Frame this hole as described previously.
5. From below, install a firestop (see **Figure 23c**).
6. Continue with the regular installation.

NOTE: When using AC chimney*, an AC6SB* starter section must be used before installing an elbow. When an offset is needed immediately off the top of the fireplace, an elbow starter section, AC6SB30*, is available.

Roof Down Slope Hole Size			
SLOPE	ASHT* / HT6103+* / DuraTech DTC**	S-2100+* / HT6000+*	AC*
Roof Pitch	6"	6"	6"
0 *	12-3/8" (314 mm)	14-1/8" (359 mm)	15" (380 mm)
2/12	12-9/16" (319 mm)	14-3/8" (365 mm)	15-3/8" (390 mm)
4/12	13" (330 mm)	14-7/8" (378 mm)	16-1/8" (410 mm)
6/12	13-7/8" (352 mm)	15-3/4" (400 mm)	16-7/8" (430 mm)
8/12	14-7/8" (378 mm)	17" (432 mm)	18-1/4" (465 mm)
10/12	16-1/8" (410 mm)	18-3/8" (467 mm)	19-5/8" (500 mm)
12/12	17-1/2" (445 mm)	20" (508 mm)	21-3/8" (545 mm)

* Cross Slope Hole Size
Put the chimney cap into place.
Wash the roof flashing with a solvent or vinegar, then paint it with rust-proof paint.

Table 3

OFFSET CHIMNEY INSTALLATION

After reaching the location requiring the elbow, proceed as follows. The minimum chimney height when using elbows is:

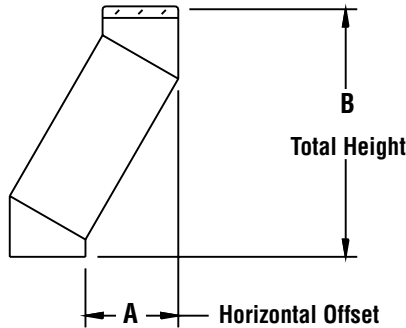
Minimum Chimney Height Using Elbows	
Fireplace Model	WCT4820WS
Chimney Model	ASHT* / S2100+* / HT6103+* / HT6000+* / AC* / DuraTech DTC**
Vertical installation	12 feet (3.66 m)
Two (2) elbows	15 feet (4.57 m)
Four (4) elbows	17 feet (5.18 m)

Table 4

NOTES:

- Must return to vertical before penetrating ceiling or floor.
- A maximum of 2 offsets are allowed.

Offset Dimensions



Chimney 6"	Elbow	Offset & Height	One Length Between Elbows						Two Lengths Between Elbows					
			8"	12"	18"	24"	36"	48"	8" & 48"	12" & 48"	18" & 48"	24" & 48"	36" & 48"	48" & 48"
Secure Temp® ASHT*	15°	A	3-5/16" (84mm)	4-5/16" (110mm)	5-7/8" (149mm)	7-7/16" (189mm)	10-1/2" (267mm)	13-5/8" (346mm)	15-3/8" (391mm)	16-7/16" (418mm)	18" (457mm)	19-1/2" (495mm)	22-5/8" (575mm)	25-3/4" (654mm)
		B	15-11/16" (398mm)	19-9/16" (497mm)	25-3/8" (645mm)	31-3/16" (792mm)	42-3/4" (1086mm)	54-3/8" (1381mm)	60-15/16" (1548mm)	64-13/16" (1646mm)	70-9/16" (1792mm)	76-3/8" (1940mm)	87" (2210mm)	99-9/16" (2529mm)
Nova Temp® HT6103+*	30°	A	7-7/16" (189mm)	9-7/16" (240mm)	12-7/16" (316mm)	15-7/16" (392mm)	21-7/16" (545mm)	27-7/16" (697mm)	30-13/16" (783mm)	32-13/16" (833mm)	35-13/16" (910mm)	38-13/16" (986mm)	44-13/16" (1138mm)	50-13/16" (1291mm)
		B	20" (508mm)	23-1/2" (597mm)	28-11/16" (729mm)	33-7/8" (860mm)	44-1/4" (1124mm)	54-11/16" (1389mm)	60-9/16" (1538mm)	64" (1627mm)	69-1/4" (1759mm)	74-7/16" (1891mm)	84-13/16" (2154mm)	95-1/4" (2419mm)
DuraTech® DTC**	45°	A	10-5/16" (262mm)	13-3/16" (335mm)	17-3/8" (441mm)	21-5/8" (549mm)	30-1/8" (765mm)	38-5/8" (981mm)	43-7/16" (113mm)	46-1/4" (1175mm)	50-1/2" (1283mm)	54-3/4" (1391mm)	63-1/4" (1607mm)	71-11/16" (1818mm)
		B	17-13/16" (452mm)	20-5/8" (524mm)	24-7/8" (632mm)	29-1/8" (740mm)	37-5/8" (956mm)	46-1/8" (1172mm)	50-15/16" (1294mm)	53-3/4" (1365mm)	58" (1473mm)	62-1/4" (1581mm)	70-3/4" (1797mm)	79-3/16" (2011mm)

Chimney 6"	Elbow	Offset & Height	One Length Between Elbows						Two Lengths Between Elbows					
			8"	12"	18"	24"	36"	48"	8" & 48"	12" & 48"	18" & 48"	24" & 48"	36" & 48"	48" & 48"
Secure Temp S2100+*	15°	A	3-5/16" (84mm)	4-5/16" (110mm)	5-7/8" (149mm)	7-7/16" (189mm)	10-1/2" (267mm)	13-5/8" (346mm)	15-1/2" (394mm)	16-1/2" (419mm)	18-1/16" (459mm)	19-5/8" (498mm)	22-3/4" (578mm)	25-13/16" (656mm)
		B	16" (406mm)	19-7/8" (505mm)	25-11/16" (652mm)	31-1/2" (800mm)	43-1/16" (1094mm)	54-5/8" (1387mm)	61-7/16" (1561mm)	65-1/4" (1657mm)	71-1/16" (1805mm)	76-7/8" (1953mm)	88-1/2" (2248mm)	100-1/16" (2542mm)
Nova Temp HT6000*	30°	A	7-3/8" (187mm)	9-3/8" (238mm)	12-3/8" (314mm)	15-3/8" (391mm)	21-3/8" (543mm)	27-3/8" (695mm)	30-7/8" (784mm)	32-7/8" (835mm)	35-7/8" (911mm)	38-7/8" (987mm)	44-7/8" (1140mm)	50-7/8" (1292mm)
		B	20-11/16" (525mm)	24-3/16" (614mm)	29-3/8" (746mm)	34-9/16" (878mm)	44-15/16" (1141mm)	55-5/16" (1405mm)	61-3/8" (1559mm)	64-7/8" (1648mm)	70-1/16" (1780mm)	75-1/4" (1911mm)	85-5/8" (2175mm)	96" (2438mm)

Chimney 6"	Elbow	Offset & Height	One Length Between Elbows						Two Lengths Between Elbows					
			---	12"	18"	---	36"	48"	---	12" & 48"	18" & 48"	---	36" & 48"	48" & 48"
AC* 6"	15°	A	---	4-13/16" (122 mm)	6-1/8" (156 mm)	---	11" (280 mm)	14-1/8" (359 mm)	---	16-7/8" (429 mm)	18-7/16" (468 mm)	---	23" (584 mm)	26-3/16" (665 mm)
		B	---	27-11/16" (703 mm)	33-1/2" (851 mm)	---	50-7/8" (1292 mm)	62-1/2" (1588 mm)	---	72-5/8" (1845 mm)	78-7/16" (1992 mm)	---	95-3/4" (2432 mm)	107-3/8" (2727 mm)
	30°	A	---	9-3/8" (238 mm)	12-3/8" (314 mm)	---	21-3/8" (543)	27-3/8" (695 mm)	---	32-5/8" (829 mm)	35-5/8" (905 mm)	---	44-5/8" (1134 mm)	50-5/8" (1286 mm)
		B	---	25-3/4" (654 mm)	31" (787 mm)	---	46-1/2" (1181 mm)	57" (1448 mm)	---	66" (1676 mm)	71-1/4" (1810 mm)	---	86-7/8" (2207 mm)	97-1/4" (2740 mm)

NOTE: With the AC chimney*, a starting length of 6" high must be used on top of the fireplace before installing an elbow.

Figure 27

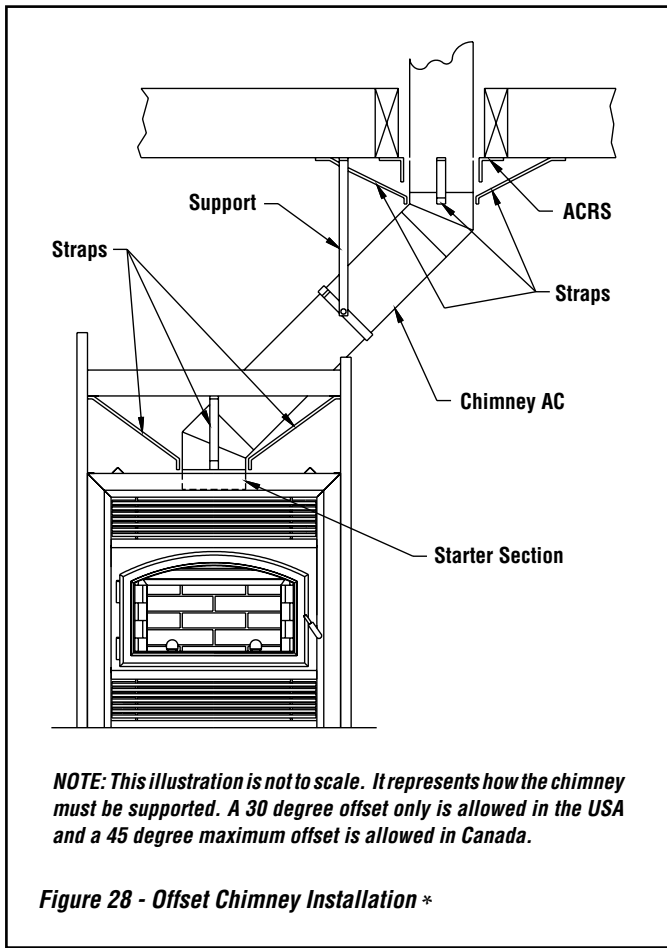


Figure 28 - Offset Chimney Installation *

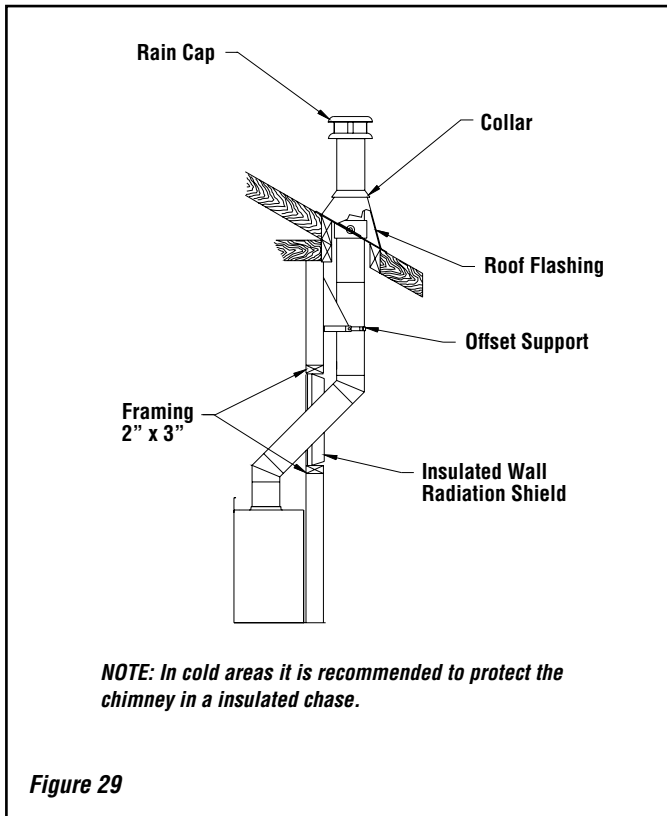


Figure 29

ANGLED WALL RADIATION SHIELD*

When traversing a combustible wall with the chimney at a 30° or 45° angle, an angled firestop or wall radiation shield must be installed. Only one is required.

NOTE: 45° angle for Canada only (RSMI45* / 6DTC-S45)**

In cold climate locations (climates where temperatures will fall below 32° F / 0° C), we recommend that you use the insulated wall radiation shield since it will maintain the home's thermal barrier.

Security Chimneys® RSM+ and RSMI30 (RSMI45 - Canada Only)		DuraVent® 6DTC-WTI and 6DTC-S30 (6DTC-S45 - Canada Only)	
Chimney Model	Angle	Hole Size	
ASHT+ * / HT6103+ * (6" dia). Canada only	30°	283 mm x 781 mm (11-1/8" x 30-3/4")	
	45°	283 mm x 518 mm (11-1/8" x 20-3/8")	
DuraTech DTC ** (6" dia). Canada only	30°	283 mm x 781 mm (11-1/8" x 30-3/4")	
	45°	283 mm x 518 mm (11-1/8" x 20-3/8")	
S-2100+ * / HT6000+ * / AC (6" dia).	30°	327 mm x 881 mm (12-7/8" x 34-11/16")	
	30°	380 mm x 972 mm (15" x 38-1/4")	

Table 5

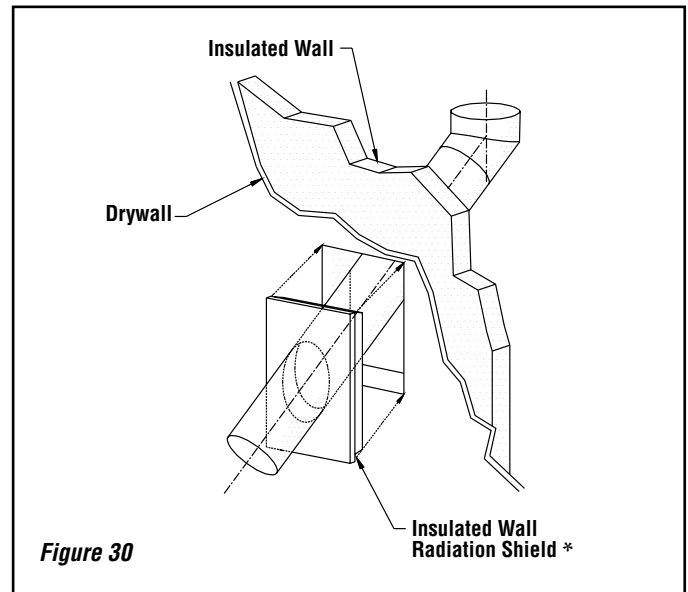


Figure 30

CHIMNEY SUPPORT INSTALLATION

Universal Roof Support*

When installing a support, slightly lift the chimney system so the weight will lie on the support, not on the fireplace to reduce expansion noises. This support has three possible uses:

1. For ASHT / HT6103+ and S2100+ / HT6000+, it must be used on a roof to support the chimney*.
2. It may be used on a floor, ceiling or roof above an offset to support the chimney above the offset.
3. It may be used on a floor, ceiling or roof as a supplementary support.

Table 6 gives maximum height of supported chimney.

NOTE: For the AC chimney*, a support section must be used every 40 feet (12 m) instead of the universal roof support (ST*).

For roof support installation, refer to the instructions provided with the support.

Universal Offset Support*

This support is used to support the chimney above an offset. When the chimney offset is used to traverse a wall this support may be used on the wall to support the chimney. The maximum heights are given in **Table 6**. For offset support installation, refer to the instructions provided with the support.

Chimney Model	MAXIMUM HEIGHT OF SUPPORTED CHIMNEY	
	OFFSET SUPPORT	ROOF SUPPORT
ASHT / HT6103+ (6" dia). *	28 feet (8.54 m)	29 feet (8.84 m)
DuraTech DTC (6" dia). **	28 feet (8.54 m)	29 feet (8.84 m)
S-2100+ / HT6000+ (6" dia). *	18 feet (5.49 m)	20 feet (6.1 m)
AC (6" dia). *	40 feet (12.19 m)	50 feet (15.20 m)

Table 6

CHIMNEY CHASE AND MULTIPLE TERMINATIONS

For the purpose of this manual, a chimney chase is considered a part of the chimney system rather than part of a building. The termination must be placed a minimum of 18" (460 mm) above the chase.

For installations where more than one chimney is located in the same chase or within the same area, we suggest that their terminations be separated by at least 16" (410 mm) horizontally, and 18" (460 mm) vertically. This separation is to prevent smoke migrating from one chimney to another (see **Figure 31**).

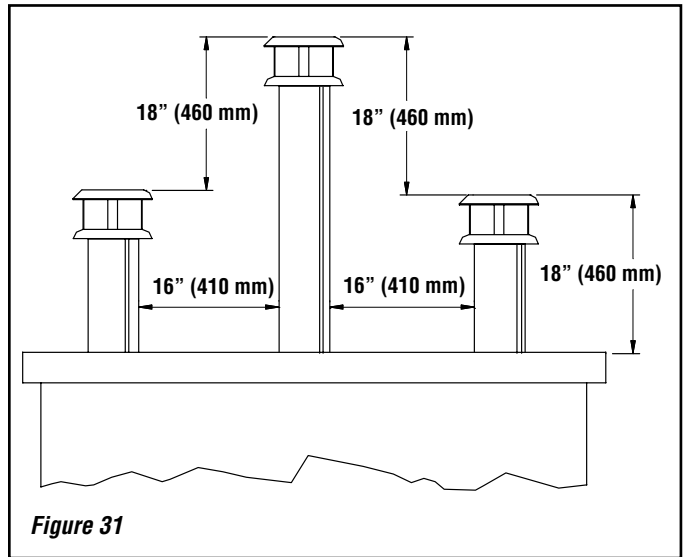


Figure 31

CHIMNEY ADAPTOR* (S2100+ / HT6000+) CANADA ONLY

The fireplace is normally supplied with a chimney adaptor suitable for the ASHT / HT6103+ chimney*. If you want to install a S2100+ / HT6000+ chimney, an adaptor is available (6UCA*) (**Figure 32**). A separate starter section will also be required if AC chimney* is installed.

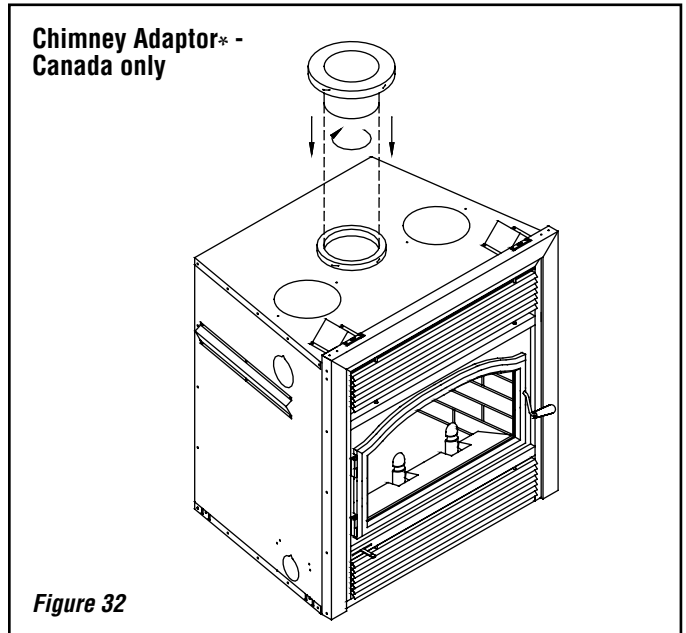


Figure 32

INSTALLATION INSTRUCTIONS FOR MASONRY APPLICATION

WARNING: Before starting the installation, the masonry chimney must be inspected by a qualified chimney sweep.

The following requirements must be respected:

1. The chimney must be absolutely clear of any soot residue or creosote. Check for cracks, loose or missing bricks that could inhibit correct installation of the liner.
2. The clearance to combustibles must be a minimum of 1" between the outside of the masonry and any wood framing or loose insulation.
3. The chimney must be built in accordance with the current building code.
4. No other appliance can be connected to the same chimney.
5. The clearances to combustibles for the BISUMA30* connectors are 2" on the side and bottom and 16" at the top.
6. **The connector parts are not necessary if the connection between the insulated length and the stainless steel liner is done within the masonry chimney.**

Installation:

The chimney must be relined with a stainless steel liner model Tubinox®* or Projet® SS* of the same diameter as the outlet of the fireplace. If a stainless steel liner is used, see note below**.

For connection at a 30° angle, a special connector (BISUMA30*) must be used to connect the liner to the insulated chimney.

*** IMPORTANT NOTE - The use of a 45° connector (BISUMA*) is approved for use in Canada ONLY. Installations in the USA must use the 30° connector (BISUMA30*).**

** Alternate brand rigid stainless liner or stainless flex may be substituted but must be listed to UL-1777 for US application and ULC-S635 for existing masonry or ULC-S640M for new masonry applications in Canada. The steel rigid or flex liner must be rated at 2100° F (1100° C).

Follow these steps:

1. Position the fireplace in its location. Temporarily install the ASHT* elbow on the top of the fireplace and, using a level, mark with an oval the location where the flue liner will enter the masonry chimney.
2. In the middle of the oval, drill a hole in the masonry chimney at 30°.
3. Increase the size of the hole until a 30° Tubinox* liner elbow can be easily slipped through.
4. Slide the liner down from the top of the masonry chimney until you reach the hole level.
5. Slip through the hole a 30° liner elbow and connect it to the liner.
6. Add a small liner section to the liner elbow which will allow the liner to extend at least 12" (measured at the top of the liner) from the masonry chimney.
7. Seal the opening around the liner with high temperature refractory cement.
8. The next steps must be done in the following order:

See typical installation illustrated below.

- A. Select the ASHT* length that will fit between the elbow and the liner so that it will slide at least 2" over the liner section (You may need to cut the liner for a better fit).
- B. Take that section and the BISUMA30* cover and slide it over the liner. Make sure you have enough opening to be able to install the ASHT* elbow without difficulty.
- C. Install the 30° elbow on the fireplace.
- D. Slide the length section back down on the elbow and twist lock the two together.
- E. Pull the cover down over the length and install the insulation pad over the liner; be careful to cover the liner completely.
- F. Slide back the cover over the insulation and fix it in place using the 3 metal screws supplied.

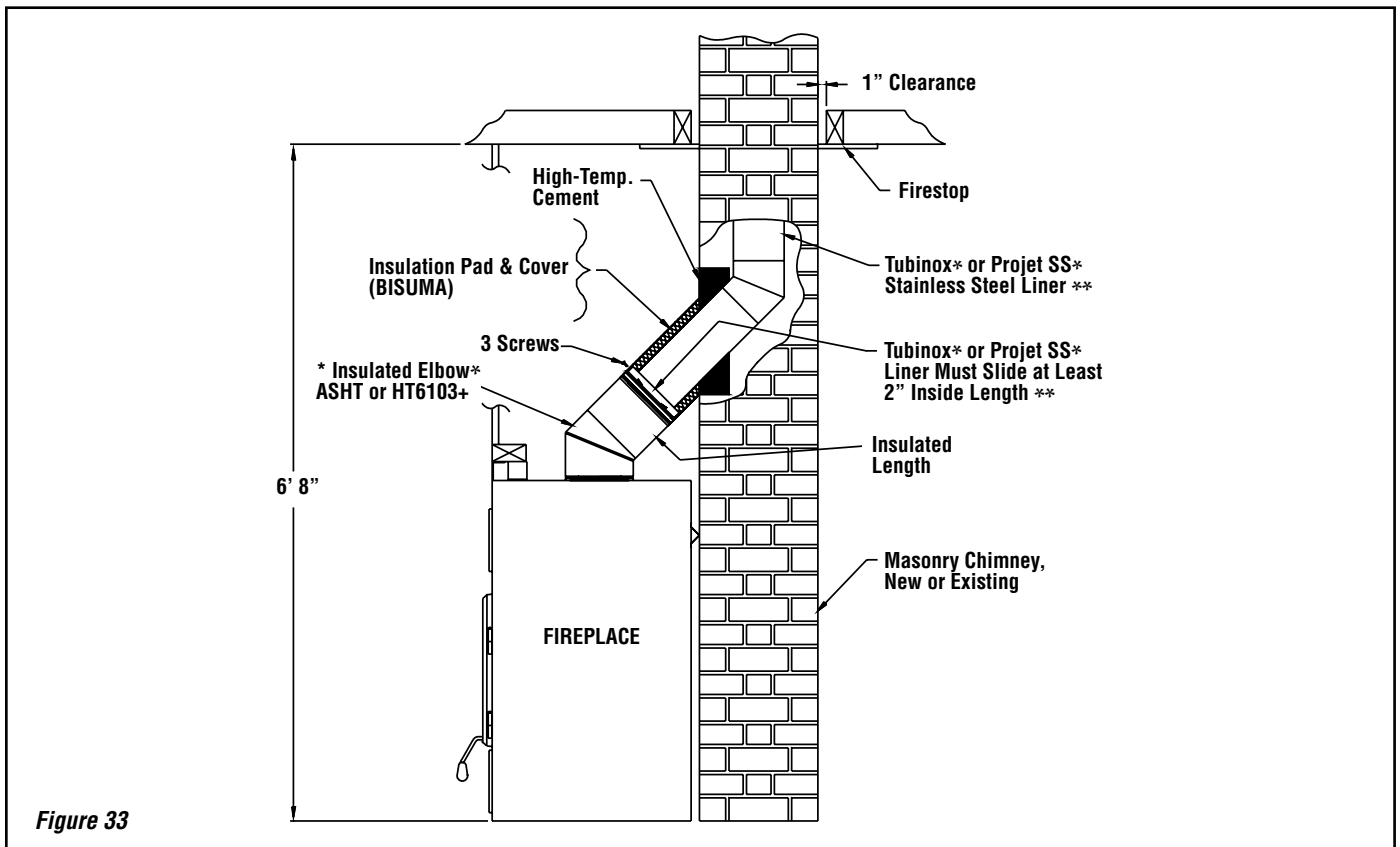


Figure 33

OPTIONAL INSTALLATION ACCESSORIES

Installation Accessories	
Description	Cat./Part No.
Door Kit (Required - Order Separately)	
Victorian Arch Shape Doors, Black, BUVBK	F1855
Contemporary Arch Shape Door, Black, BUCBK	F1856
Clean Face Panel Kit	
Panel for Clean Face Option (tiling flange)	BUCF
Outside Air Kit (Required - Included With Fireplace)	
Outside Air Coupler to connect outside air UZI to fireplace, UZIAD	UZIAD
Outside Air Ducting - includes 4" insulated flex x 10' long, UZI	UZI
Gravity Kit (REQUIRED WITH CLEAN FACE KIT)	
Gravity kit: Complete double duct system includes: 2 elbows 90°, 2 telescopic lengths, 2 grill supports and 2 black grills, 2 fireplace adaptors, 7B30ZK-1	H8947
Gravity Kit Accessories	
Elbow 90°, 8" dia., 7B26ZE90	H8948
Elbow 45°, 8" dia., 7B26ZE45	H8949
Telescopic length, 8" dia. (15" to 26"), 7B26ZLA	H8950
Adjustable length 8" dia (2" - 5"), 7B26ZL2A	H8951
Length two (2) feet, 8KL2	H8954
Length one (1) feet, 8KL1	H8953
Wall radiation shield, 8" I.D., 7B26ZR	H8952

Fireplace Kits	
Description	Cat./Part No.
Blower (heat activated on/off pre-wired), UZY5	UZY5
Blower motor speed control (wall mount), VRUW	VRUW
Rigid firescreen ❶	BUCEBWZN
Central Forced Air Kit Accessories ❶	
Central Forced Air Kit, Central forced air kit including: blower (BISZY), flex adaptor (BISAF), 2 clamps, variable speed control (VRUW), thermo-disk (VTU), fan to flexible pipe adapter (BISAVF), back draft damper (BISBD), aluminium tape, BISFWK-1	BISFWK-1
Flexible pipe 5" I.D. x 15 ft. Long, 5FLEX15	5FLEX15
Flexible pipe 5" I.D. x 30 ft. Long, 5FLEX25	5FLEX25
Heating and cooling thermostat, 24V, HCTW	HCTW

❶ **Not tested under EPA certification. If installed, this appliance no longer qualifies for EPA certification. Check with local authorities having jurisdiction for requirements in your area.**

REPLACEMENT PARTS LIST

WCT4820WS Replacement Parts	
Description	Cat./Part No.
Baffle refractory (2 pieces)	PR-IS02205
Back refractory	PR-SR2203
Right side refractory	PR-SR2204D
Left side refractory	PR-SR2204G
Bottom refractory	PR-SR2201
Front refractory, right side - ash lip	PR-SR2202D
Front refractory, left side - ash lip	PR-SR2202G
Door handle	PR-SR1787
Ceramic glass panel Contemporary	PR-SR2222
Ceramic glass panel Victorian	PR-SR2230
Secondary air tube	PR-SR2271
Cast-iron log supports (2)	PR-SR2245
Touch-up paint, aerosol, black metallic SBMB6309	H8159
Louvers, upper and lower (1)	PR-SR2218-1
Snap disc, blower	VTU
Bracket, secondary air tube	PR-SR2214
Hinge assembly, fireplace and door	PR-SR2395UL
Door handle rod and mechanism	PR-SR2118
Door handle and brass cap	PR-SR2325
Door handle brass cap	POIGNE002
Gasket, door, 73" (5/8" dia.)	PR-SR1823G
Gasket, glass, 69" (5/16" dia.)	PR-SR1685D
Blower 250 CFM for central forced air kit, BISZY	BISZY
Blower variable speed control with decorative wall plate for (BISZY), VRUW	VRUW
Thermo-disk, on/off blower control (for BISZY), VTU	VTU
Blower to flexible pipe adaptor, BISAVF	BISAVF
Backdraft damper, BISBD	BISBD
Fireplace to Flex adaptor and 2 clamps, BISAF	BISAF

Contact an IHP dealer to obtain any of these parts. Never use substitute materials not approved by IHP. Use of non-approved parts can result in poor performance and safety hazards.

SPECIFICATIONS

Cat. No.	Model
F1793	WCT4820WS

Model	Emission Rate	Heat Output	EPA Estimated Efficiency
WCT4820WS	3.7 g/hr	10,442-27,746 btu/hr	63%

Product Reference Information	
Weight	385 lbs
Height	36"
Width	36"
Depth	24-1/2"
Firebox W x H x D - measured in front	22" x 11-3/4" x 12"
Chimney weight ASHT (6" dia)	6.25 lb per linear foot
Chimney weight AC (6" dia)	3.25 lb per linear foot
Chimney weight S2100+ (6" dia.)	10.8 lb per linear foot

CLEARANCE TO COMBUSTIBLES

The following clearances meet the minimum requirements for a safe installation:

Side wall: 17" (324 mm) measured from the fireplace side.

Ceiling: 6' 8" (2,032 mm) measured from the base of the fireplace.

Fireplace enclosure:

Bottom: 0"

Side: 0" to spacer

Back: 0" to spacer

Top: Do not fill the space above the fireplace with any material (Except the wood framing. See **Page 10, Figure 9**).

Chimney: 2" (50 mm)

Mantel: 45" (1143 mm) measured from the base of the fireplace.

SECURITY CHIMNEYS™ AND DURAVENT® - PARTS AND COMPONENTS LISTS

The components listed below must be ordered from Security Chimneys International™ or DuraVent®. Contact your Security Chimneys or DuraVent Distributor or Dealer for ordering information.

Security Chimneys International Limited
2125 Monterey, Laval, Quebec
Canada, H7L 3T6
securitychimneys.com

450-973-9999
1-800-361-4909 (USA)
1-800-667-3387 (Canada)

M&G DuraVent
877 Cotting Court, Vacaville,
California, 95688
duravent.com

1-800-835-4429

Secure Temp ASHT 1" High Temp. Insulated Stainless Steel Chimney <i>6" I.D. and 8" O.D., Double-Wall Stainl. Steel, Listed to CAN/UCL-S604, UL-103HT and CAN/ULC S629</i>	
Description	Part/Cat. No.
Lengths and Misc. Chimney Components	
8" length, 6" Dia.	6L8
12" length, 6" Dia.	6L12
18" length, 6" Dia.	6L18
24" length, 6" Dia.	6L24
36" length, 6" Dia.	6L36
48" length, 6" Dia.	6L48
Adjustable Length 12", 6" Dia.	6LA
15° elbow, 6" Dia.	6E15
30° elbow, 6" Dia.	6E30
Rain Termination Cap, 6" Dia.	6CC
Spark Arrester Screen (universal spark arrester band)	PE
Wall Band	BM
Supports	
Offset Support	SO
Roof Support	ST
Roof Brace	BS2
Firestops	
Firestop	6BF
Radiation Shield	6RS
Insulated Attic Radiation Shield	6RSA2
Insulated Wall Radiation Shield	6RSM
Insulated Wall Radiation Shield, 30°	6RSMI30
Uninsulated Wall Radiation Shield, 30°	6RSM30
Attic Radiation Shield	ACRSA
Roof Flashings	
Flat Roof Flashing	6FR
1/12 - 7/12 (5° - 30°)	6FAR
8/12 - 12/12 (30° - 45°)	6FBR
Storm Collar	6FC

Fireplace Model WCT4820WS - Approved Venting Components manufactured by Security Chimneys International™ only.

- **6" diameter chimney** - AC (air cooled), Secure Temp® ASHT (or Nova Temp® HT6103+) and Secure Temp S-2100+ (or Nova Temp HT6000+).
- **6" diameter chimney for relining masonry chimneys** - Tubinox® chimney (or Projet® SS), 6" diameter with adaptor for installation in a masonry chimney.

Fireplace Model WCT4820WS - Approved Venting Components manufactured by DuraVent® only.

- **6" diameter chimney** - M&G DuraVent model DuraTech® DTC

DuraTech DTC 1" High Temp. Insulated Stainless Steel Chimney <i>6" I.D. and 8" O.D., Double-Wall Stainl. Steel, Listed to CAN/UCL-S604, UL-103HT and CAN/ULC S629</i>	
Description	Part/Cat. No.
Lengths and Misc. Chimney Components	
8" length, 6" Dia.	6DTC-08SS
12" length, 6" Dia.	6DTC-12SS
18" length, 6" Dia.	6DTC-18SS
24" length, 6" Dia.	6DTC-24SS
36" length, 6" Dia.	6DTC-36SS
48" length, 6" Dia.	6DTC-48SS
Adjustable Length 12", 6" Dia.	6DTC-12TASS
15° elbow, 6" Dia.	6DTC-E15SS
30° elbow, 6" Dia.	6DTC-E30SS
Rain Termination Cap, 6" Dia.	6DTC-VC
Spark Arrester Screen (universal spark arrester band)	DTC-SA
Wall Band	DTC-WSU
Supports	
Offset Support	DTC-RESU
Roof Support	DTC-RS
Roof Brace	DTC-XRB
Firestops	
Firestop	6DTC-FS
Radiation Shield	6DTC-FRS
Insulated Attic Radiation Shield	6DTC-ISI
Insulated Wall Radiation Shield	6DTC-WTI
Insulated Wall Radiation Shield, 30°	6DTC-WRSI30
Uninsulated Wall Radiation Shield, 30°	6DTC-WRSI45
Attic Radiation Shield	6DTC-ISIA
Roof Flashings	
Flat Roof Flashing	6DTC-FF
1/12 - 7/12 (5° - 30°)	6DTC-F7
8/12 - 12/12 (30° - 45°)	6DTC-F12
Storm Collar	6DTC-SC

NOTES:

- ① Nova Temp HT6000+ is equivalent to Secure Temp S-2100+
- ② DuraTech® DTC and Nova Temp HT6103+ are equivalent to Secure Temp ASHT+
- ③ This appliance is equipped with the ASHT Chimney Adaptor. When other chimney is used, a chimney adaptor for that chimney will be required.
- ④ Chimney Adaptor (S-2100+ / HT6000+) for CANADA ONLY - If you want to install a S-2100+ / HT6000+ chimney, an adaptor is available (6UCA).
- ⑤ AC Chimney is NOT recommended at elevations above 4,000 feet or in cold climates (climates where temperatures will fall below 32° F / 0° C). When using AC chimney, an AC6SB starter section must be used before installing an elbow. When an offset is needed immediately off the top of the fireplace, an elbow starter section, AC6SB30, is available.

SECURITY CHIMNEYS™ - PARTS AND COMPONENTS LISTS

The components listed below must be ordered from Security Chimneys International™. Contact your Security Chimneys Distributor or Dealer for ordering information.

Security Chimneys International Limited 450-973-9999
 2125 Monterey, Laval, Quebec 1-800-361-4909 (USA)
 Canada, H7L 3T6 1-800-667-3387 (Canada)
 securitychimneys.com

(AC) Air-Cooled Chimney System*	
6" I.D. and 11" O.D. Air Cooled, Stainl. Steel inner and zinc coated steel exterior	
* AC Chimney is NOT recommended at elevations above 4,000 feet or in cold climates (climates where temperatures will fall below 32° F / 0° C).	
Description	Cat./Part No.
One of the following adaptors is required if installing an AC chimney system	
Starter Section (adaptor), 6", AC, AC6SB	AC6SB
Starter 30° Elbow, 6" AC, AC6SB30	AC6SB30
The following outside air kit is required if installing an AC chimney system	
Chimney Outside Air Kit (flex, insulation, outside register and coupling), ACZI	ACZI
Lengths and Misc. Chimney Components	
12" Length, 6" Dia., AC6L12	AC6L12
18" Length, 6" Dia., AC6L18	AC6L18
36" Length, 6" Dia., AC6L36	AC6L36
48" Length, 6" Dia., AC6L48	AC6L48
15° Elbow, 6" Dia., AC6E15	AC6E15
30° Elbow, 6" Dia., AC6E30	AC6E30
Rain Termination Cap, 6" Dia., AC6CPR	AC6CPR
Spark Arrester Screen (universal spark arrester band), PE	PE
Wall Band, XBM	XBM
Supports	
Offset Support, SO	SO
Support Section, AC6SL	AC6SL
Roof Support, ST	ST
Roof Brace, BS2	BS2
Roof Flashings	
Flat Roof Flashing, ACF	ACF
1/12 - 7/12 (5° - 30°), AC Adj. Roof Flashing, FA	FA
8/12 - 12/12 (30° - 45°), AC Adj. Roof Flashing, FB	FB
Storm collar, ACFC	ACFC
Misc.	
Telescopic attic radiation shield, ACRST	ACRST
Firestop, ACBF	ACBF
Radiation Shield, ACRS	ACRS
Attic Radiation Shield, ACRSA	ACRSA
Insulated Wall Radiation Shield, 30°, ACRSMI30	ACRSMI30

Tubinox® LL Chimney Lining System**	
Rigid Stainless Steel Liner For Relining A Masonry Chimney, 6" Diameter Listed to ULC-S635M, UL-1777 and ULC-S640M at 2100° F	
Description	Cat./Part No.
6" Length, 6" Dia., 6LL6	6LL6
12" Length, 6" Dia., 6LL12	6LL12
24" Length, 6" Dia., 6LL24	6LL24
36" Length, 6" Dia., 6LL36	6LL36
48" Length, 6" Dia., 6LL48	6LL48
Adjustable Length (7" to 11"), 6" Dia., 6L7A	6L7A
Split Base Tee, 6" Dia., 6LT	6LT
Tee Cap, 6" Dia., 6TCS	6TCS
Twist Lock Tee Cap, 6" Dia., 6LTC	6LTC
Elbow 30°, 6" Dia., 6LE30	6LE30
Elbow 45°, 6" Dia., 6LE45	6LE45
Elbow 90°, 6" Dia., 6LE90	6LE90
Rain Termination Cap (regular), 6" Dia., 6LCS	6LCS
Rain Termination Cap (deluxe), 6" Dia., 6LCC	6LCC
Spark Arrester Screen (universal spark arrester band), PE	PE
Supports	
Top Support, 6LST	6LST
Support Assembly, 6LSA	6LSA
Interior Support, 6LSB	6LSB
Adaptor Flexible Pipe (male), 6LAAM	6LAAM
Adaptor Flexible Pipe (female), 6LAAF	6LAAF
Stainless Steel Flex - five (5) feet Long, 6LLFLEX	6LLFLEX
Adjustable Insulated Wall Radiation Shield 6" - 12", 6LRSMI	6LRSMI
Adaptors to Masonry Chimney	
Masonry Chimney Adaptor, 45°, BISUMA (for use with Tubinox liner) CANADA ONLY	BISUMA
Masonry Chimney Adaptor, 30°, BISUMA30 (for use with Tubinox liner)	BISUMA30

** Alternate brand rigid stainless liner or stainless flex may be substituted but must be listed to UL-1777 for US application and ULC-S635 for existing masonry or ULC-S640M for new masonry applications in Canada. The steel rigid or flex liner must be rated at 2100° F (1100° C).

Gravity Kit Accessories	
Elbow 90°, 8" dia., 7B26ZE90	7B26ZE90
Elbow 45°, 8" dia., 7B26ZE45	7B26ZE45
Telescopic length, 8" dia. (15" to 26"), 7B26ZLA	7B26ZLA
Adjustable length 8" dia (2" - 5"), 7B26ZL2A	7B26ZL2A
Wall radiation shield, 8" I.D., 7B26ZR	7B26ZR
Black grill with support, 7B30ZO	7B30ZO
Brass grill (for 7B30ZK), 7B30ZGB	7B30ZGB
Length one (1) feet, 8KL1	8KL1
Length two (2) feet, 8KL2	8KL2
Length three (3) feet, 8KL3	8KL3
Length four (4) feet, 8KL4	8KL4
Length five (5) feet, 8KL5	8KL5

OVERFIRING

The damage that occurs from overfiring is not covered under the manufacturers' warranty.

Overfiring of a wood-burning appliance is a condition where excessive temperatures are reached, beyond the design capabilities of the appliance (see Safety Notice and Warnings in this manual). If a wood-burning appliance has any of the following symptoms, it may be overfiring which requires immediate corrective action by a qualified technician to evaluate repair requirements of the appliance and to identify and correct the conditions causing the overfiring.

Contact an IHP dealer to obtain repair parts. Never use substitute materials not approved by IHP (e.g. never substitute the grate).
Use of non-approved parts can result in poor performance and safety hazards.

Cracking, warping or burning out of components, catalytic combustor may deteriorate (models equipped with catalytic combustors), plated doors may turn color, door glass may develop a haze which will not come off with cleaning, firebox baffle may warp, convection blowers (models equipped with blowers) may overheat and fail.

The following are a few conditions that will contribute to an overfiring condition:

Installation

The venting system must satisfy the draft Requirements of the appliance. The appliance is merely one component of a larger system. The other equally important component is the venting system, which is necessary for achieving the required flow of combustion air to the fire chamber and for safely removing unwanted combustion by-products from the appliance. If the venting system's design does not promote these ends, the system may not function properly, which may create performance problems as well as may be a safety hazard. To ensure that all installation requirements have been met as outlined in the installation manual. The chimney should be clean and in good repair. A draft test should be performed to determine if the draft requirements of the appliance are being met. A draft gauge should read between .05 and .07 inches water column (W.C.). Excessive draft (above .07" W.C.) will allow too much combustion air to be pulled into the firebox, which results in hotter burns.

Too little draft (below .05" W.C.) will not allow enough combustion air delivery to maintain a fire well or cause performance problems such as smoking (this may result in improper operation of appliance, e.g. will not maintain fire well unless catalytic bypass is left open (some models), or with fuel door or ash drawer left open – see Operation). As stated in the following National Standard, it is the responsibility of the installer to take into account all variables and install the appliance in such a manner that satisfies the draft requirements of the appliance:

American National Standards Institute ANSI/NFPA 211, Section - Sizing and Draft: A chimney or vent shall be so designed and constructed to develop a flow sufficient to completely remove all flue and vent gases to the outside atmosphere. The venting system shall satisfy the draft requirements of the connected appliance in accordance with the manufacturers' instructions.

Operation

Never burn the appliance with the fuel door open or the ash drawer open (catalytic appliances - Never burn the appliance with the bypass handle in the open position once the fire has been established). This may result in excessive temperatures resulting in overfiring damage to the appliance.

Maintenance

Should the fuel door or ash drawer gaskets (some models) become worn or damaged, they should be replaced.

Fuel

Wood-burning appliances manufactured by Innovative Hearth Products are approved for use with natural dry well seasoned wood only (advise your customers what are approved fuels for your area). Do not burn garbage, particleboard scraps or pressed logs using bonding agents because they can produce conditions that will deteriorate metal (**see Page 6 for a list of prohibited fuels**). Green or uncured wood does not work well as fuel, and can cause increased creosote buildups. Do not over-load or use kindling wood or mill ends as primary fuel as this may cause overfiring.

Innovative Hearth Products Superior® Brand Wood-Burning Fireplace 20 Year Limited Warranty

THE WARRANTY

Innovative Hearth Products ("IHP") 20 Year Limited Warranty warrants your Superior® Brand wood burning fireplace ("Product") to be free from defects in materials and workmanship at the time of manufacture. The Product body, firebox and ceramic glass carry the 20 Year Limited Warranty. Ceramic glass carries the 20 Year Limited Warranty against thermal breakage only. After installation, if covered components manufactured by IHP are found to be defective in materials or workmanship during the 20 Year Limited Warranty period and while the Product remains at the site of the original installation, IHP will, at its option, repair or replace the covered components. If repair or replacement is not commercially practical, IHP will, at its option, refund the purchase price or wholesale price of the IHP product, whichever is applicable. IHP will also pay IHP prevailing labor rates, as determined in its sole discretion, incurred in repairing or replacing such components for up to five years. THERE ARE EXCLUSIONS AND LIMITATIONS to this 20 Year Limited Warranty as described herein.

COVERAGE COMMENCEMENT DATE

Warranty coverage begins on the date of purchase. In the case of new home construction, warranty coverage begins on the date of first occupancy of the dwelling or six months after the sale of the Product by an independent IHP dealer/distributor, whichever occurs earlier. The warranty shall commence no later than 24 months following the date of product shipment from IHP, regardless of the installation or occupancy date.

EXCLUSIONS AND LIMITATIONS

This 20 Year Limited Warranty applies only if the Product is installed in the United States or Canada and only if operated and maintained in accordance with the printed instructions accompanying the Product and in compliance with all applicable installation and building codes and good trade practices.

This warranty is non-transferable and extends to the original owner only. The Product must be purchased through a listed supplier of IHP and proof of purchase must be provided. The Product body and firebox carry the 20 Year Limited Warranty from the date of installation. Vent components, trim components, paint and applied stains are excluded from this 20 Year Limited Warranty. The following do not carry a 20 Year Limited Warranty but are warranted as follows:

Air tubes, baffles and brick retainers – Repair or replacement for one year from the date of installation

Cast iron parts – Replacement for one year from date of installation

Catalyst – Carries a separate warranty. Refer to the warranty certificate provided for that part

Electrical components – Repair or replacement for one year from the date of installation

Fireplace screens, refractory and side shields (metal or refractory) – Repair or replacement for two years from date of installation. Excludes hairline cracks.

Fuel grates – These parts are considered consumable accessories and therefore are not warranted, with the exception of defects in material or workmanship which are covered for 90 days from the date of installation

Gaskets – Replacement for one year from date of installation

Gold & nickel plating – Replacement for two years from date of installation. Excludes tarnishing

Optional glass doors – Repair or replacement for 90 days from the date of installation

Refractory & screens – Replacement for two years from date of installation. Excludes hairline cracks

Removable air tubes – Repair or replacement for seven years from date of installation. IHP prevailing labor rates for years one through five.

Labor coverage – Prevailing IHP labor rates apply for the warranty period of the component.

Parts not otherwise listed carry a 90 day warranty from the date of installation.

Whenever practicable, IHP will provide replacement parts, if available, for a period of 10 years from the last date of manufacture of the Product.

IHP will not be responsible for: (a) damages caused by normal wear and tear, accident, riot, fire, flood or acts of God; (b) damages caused by abuse, negligence, misuse, or unauthorized alteration or repair of the Product affecting its stability or performance. (The Product must be subject to normal use with approved fuels listed in the Operation Manual provided with the product. This includes burning such fireplace fuels as wood and natural or propane gas. Fuel products with abnormal burning characteristics, including but not limited to fuel such as driftwood, coal or plywood and wood products using a binder may burn at excessive temperatures and may cause damage to the Product or may cause it to function improperly.); (c) damages caused by failing to provide proper maintenance and service in accordance with the instructions provided with the Product; (d) damages, repairs or inefficiency resulting from faulty installation or application of the Product.

Coverage of this 20 Year Limited Warranty is conditional upon use of an adequate fuel grate on factory-built fireplaces only, when applicable.

IHP is not responsible for inadequate fireplace system draft caused by air conditioning and heating systems, mechanical ventilation systems, or general construction conditions which may generate negative air pressure in the room in which the appliance is installed. Additionally IHP assumes no responsibility for smoking conditions caused by inadequate chimney height, adjoining trees or buildings, adverse wind conditions or unusual environmental factors and conditions. Certain IHP Products are listed for use with Security Chimneys International, Ltd. or IHP chimney systems only. Use of chimney components other than that specified in the Product manual will void the Product warranty.

This 20 Year Limited Warranty covers only parts and labor as provided herein. In no case shall IHP be responsible for materials, components or construction which are not manufactured or supplied by IHP or for the labor necessary to install, repair or remove such materials, components or construction. Additional utility bills incurred due to any malfunction or defect in equipment are not covered by this 20 Year Limited Warranty. All replacement or repair components will be shipped F.O.B. from the nearest stocking IHP factory.

LIMITATION ON LIABILITY

It is expressly agreed and understood that IHP's sole obligation and the purchaser's exclusive remedy under this warranty, under any other warranty, expressed or implied, or in contract, tort or otherwise, shall be limited to replacement, repair, or refund, as specified herein.

In no event shall IHP be liable for any incidental or consequential damages caused by defects in the Product, whether such damage occurs or is discovered before or after replacement or repair, and whether such damage is caused by IHP's negligence. IHP has not made and does not make any representation or warranty of fitness for a particular use or purpose, and there is no implied condition of fitness for a particular use or purpose.

IHP makes no expressed warranties except as stated in this 20 Year Limited Warranty. The duration of any implied warranty is limited to the duration of this expressed warranty.

No one is authorized to change this 20 Year Limited Warranty or to create for IHP any other obligation or liability in connection with the Product. Some states and provinces do not allow the exclusion or limitation of incidental or consequential damages, so the above limitations or exclusions may not apply to you. The provisions of this 20 Year Limited Warranty are in addition to and not a modification of or subtraction from any statutory warranties and other rights and remedies provided by law.

INVESTIGATION OF CLAIMS AGAINST WARRANTY

IHP reserves the right to investigate any and all claims against this 20 Year Limited Warranty and to decide, in its sole discretion, upon the method of settlement.

To receive the benefits and advantages described in this 20 Year Limited Warranty, the appliance must be installed and repaired by a licensed contractor approved by IHP.

Contact IHP at the address provided herein to obtain a listing of approved dealers/distributors. **IHP shall in no event be responsible for any warranty work done by a contractor that is not approved without first obtaining IHP's prior written consent.**

HOW TO REGISTER A CLAIM AGAINST WARRANTY

In order for any claim under this warranty to be valid, you must contact the IHP dealer/distributor from which you purchased the product. If you cannot locate the dealer/distributor, then you must notify IHP in writing. IHP must be notified of the claimed defect in writing within 90 days of the date of failure. Notices should be directed to the IHP Warranty Department at 1508 Elm Hill Pike, Suite 108; Nashville, TN 37210 or visit our website at WWW.SUPERIORFIREPLACES.US.COM.

WARRANTY

Your fireplace is covered by a limited warranty. Please read the warranty to be familiar with its coverage.

Retain this manual. File it with your other documents for future reference.

PRODUCT REFERENCE INFORMATION

We recommend that you record the following important information about your fireplace. Please contact your IHP dealer for any questions or concerns.

REPLACEMENT PARTS

See **Page 23** for a complete replacement parts list. Use only parts supplied from the manufacturer.

Normally, all parts should be ordered through your IHP distributor or dealer. Parts will be shipped at prevailing prices at time of order.

When ordering repair parts, always give the following information:

1. The model number of the appliance.
2. The serial number of the appliance.
3. The part number.
4. The description of the part.
5. The quantity required.
6. The installation date of the appliance.

If you encounter any problems or have any questions concerning the installation or application of this system, please contact your dealer.

IHP
1508 Elm Hill Pike, Suite 108
Nashville, TN 37210
Visit us at SuperiorFireplaces.us.com

Model Number	_____
Serial Number	_____
Date Installed	_____
Dealer's Name	_____
Dealer's Phone Number	_____

 **NATIONAL FIREPLACE INSTITUTE**
NFI
CERTIFIED
www.nficertified.org

We recommend that our woodburning hearth products be installed and serviced by professionals who are certified in the U.S. by the National Fireplace Institute® (NFI) as NFI Woodburning Specialists or who are certified in Canada by Wood Energy Technical Training (WETT).

 **Wood Energy Technical Training**
www.wettinc.ca

IHP reserves the right to make changes at any time, without notice, in design, materials, specifications, prices and also to discontinue colors, styles and products. Consult your local distributor for fireplace code information.

