





**INSTALLATION INSTRUCTIONS FOR BLOWER KITS FBK-100 (80L84) AND FBK-200 (80L85)  
FOR USE WITH INNOVATIVE HEARTH PRODUCTS FIREPLACES**

	 <b>WARNING</b>
	<p><b>Hot glass will cause burns. Do not touch glass until cooled. Never allow children to touch glass.</b></p>
<ul style="list-style-type: none"> <li>• Install only when fireplace is OFF and COLD.</li> <li>• Fireplace surfaces get EXTREMELY HOT!</li> <li>• The glass on the front of the fireplace reaches EXTREMELY HIGH temperatures and can cause severe burns if touched. Even after the gas is turned off, fireplace surfaces remain extremely hot.</li> <li>• Keep children away from an operating fireplace. Closely supervise children in any room where a fireplace is operating to prevent contact with glass.</li> </ul>	

**GENERAL INFORMATION**

These blower kits may be used with the INNOVATIVE HEARTH PRODUCTS fireplace models listed herein. The blower is installed beneath the firebox. Room air is drawn in through the bottom area of the fireplace, heated as it passes across the firebox, and discharged through the upper panel/louver area at the top of the fireplace.

**FBK-100 Blower Kit**

Use with wall-mounted ON/OFF blower switch or wall-mounted ON/OFF/REMOTE switch with remote control operation. Kit contains one blower, two Velcro strips, and these instructions.

**FBK-200 Blower Kit**

Use with wall-mounted variable speed blower control switch. Kit contains one blower, one speed control switch, two Velcro strips, and these instructions.

**NOTE:** Velcro strips are for use only when referenced herein for a specific application.

**Refer to applicable instructions on the following pages:**

- Wood-Burning Fireplaces: **Page 1**
- Direct-Vent and B-Vent Gas Fireplaces (except Linear): **Page 1**
- Elite Linear Direct-Vent Gas Fireplaces: **Page 4**
- Universal Vent Free Fireplaces: **Page 5**

**WOOD, B-VENT, AND DIRECT VENT (EXCLUDING LINEAR) FIREPLACES**

**NOTE:** In Universal Vent-Free fireplace applications, refer to the fireplace Installation Instructions for additional information.

1. Turn OFF the fireplace and allow it to cool before proceeding.
2. If the appliance is connected to 120 volt power, disconnect the power.
3. If unit is a gas fireplace, shut OFF the gas supply to the fireplace.
4. Access the bottom compartment.

**Wood-burning fireplaces with a louver panel**

Push the two fireplace opening screens toward the middle of the unit to expose the louver panel retaining screw at each end of the panel. Remove the retaining screws and then pull the panel from the unit.

**Wood-burning fireplaces with a grille**

Remove the bottom grille by lifting it up near its outer support rods. It must be lifted high enough to clear the support rod retaining holes located in the cabinet bottom flange. Then pull the bottom of the grille away from the fireplace.

**Elite-2 Series Legacy Gas Fireplaces**

Remove the bottom door (panel or louvers) by sliding the hinge pin, located at the door's left side, to the right until it disengages from the left corner post hole. Pull the door diagonally to the left, away from the fireplace.

Remove the modesty panel by lifting the modesty panel by the tab on the right end, then pulling the right end of the panel away from cabinet. Pull the panel diagonally out of the corner post slots on the left side of the unit. Remove the modesty panel carefully, to make sure no wires become loose or disconnected.

**Merit Legacy Gas Fireplaces**

Remove the bottom panel or louvers by removing the screw at each end of the panel or louvers, retain the end spacers, and then pull the panel or the louvers from the unit.

**All Other Gas Fireplaces (except Elite Linear View)**

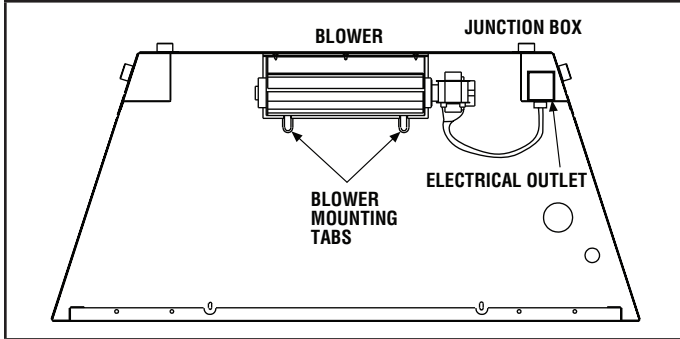
Open the lower panel (clean face models) or louver assembly (louvered models) by simultaneously pushing in the left and right side of the panel or louver assembly.

5. Place the blower.

**Front-Open Direct-Vent and B-Vent Gas Fireplaces**

Slide the blower assembly through the front opening to the middle rear area of the cabinet base. Position the blower assembly so the tabs in the cabinet base are seated in the notches of the blower bracket. Then bend the tabs over to secure the blower assembly (*Figure 1*).

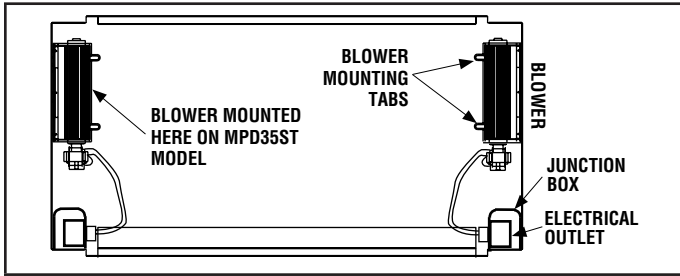
**Figure 1: Blower Installation in Front-Open Direct-Vent and B-Vent Gas Fireplaces**



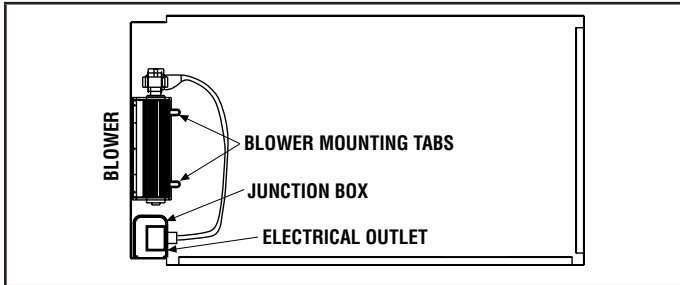
**Multi-Open Direct-Vent Gas Fireplaces**

Open all remaining bottom hinged-panels. Slide the blower assembly through the closest opening to the flue side of the cabinet base. Position the blower assembly so the tabs (on the cabinet base) are seated in the notches of the blower bracket. Bend the tabs over to secure the blower assembly (*Figure 2* or *Figure 3*).

**Figure 2: Blower Installation in Multi-Open Direct-Vent Gas Fireplaces (See-Through, Peninsula, Corner Left)**



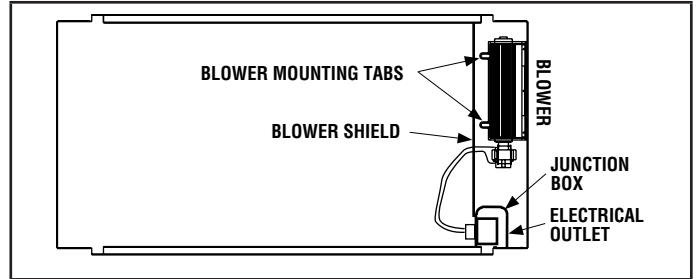
**Figure 3: Blower Installation in Multi-Open Direct-Vent Gas Fireplaces (Corner Right)**



**Multi-Open Vent-Free Gas Fireplaces**

Open all remaining bottom hinged-panels. Remove the blower shield located across the inside right section of the unit (*Figure 4*). Refer to the fireplace Installation Instructions for additional information on shield removal. Slide the blower assembly through the closest opening to the flue side of the cabinet base. Position the blower assembly so the tabs (on the cabinet base) are seated in the notches of the blower bracket. Bend the tabs over to secure the blower assembly. Reinstall the blower shield with the blower cord routed to the electrical outlet.

**Figure 4: Blower Installation in Multi-Open Vent-Free Gas Fireplaces**



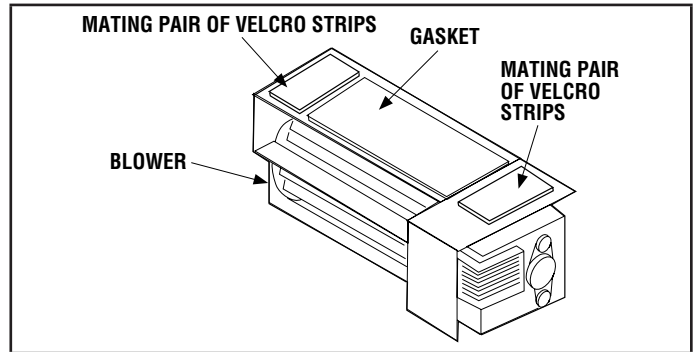
**Wood-Burning Fireplaces (other than Vent-Free)**

Place the two mating halves of each of the two Velcro® sections together. Peel the backing from one side of both of the mating pairs and stick the pairs to the back of the blower housing (*Figure 5*).

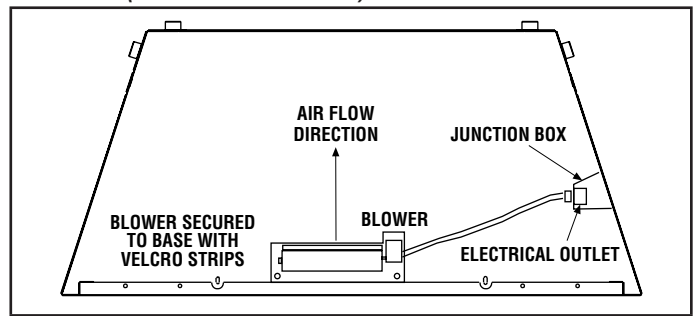
Wipe the inside surface of the bottom of the unit of any excess oil or debris. Peel the backing from the other side of the two mated Velcro strips.

Slide the blower assembly through the front opening of the unit (avoiding any contact between the sticky blower bottom and the cabinet). Position the blower assembly as shown in *Figure 6*, pressing firmly down on the blower to securely attach it to the base.

**Figure 5: Installing Velcro Strips to the Blower Base**



**Figure 6: Blower Installation in Wood-Burning Fireplaces (other than Vent-Free)**



6. Install the controls.

**FBK-100 Kits, Multi-Open Direct-Vent Gas Fireplaces**

Install a field-provided ON/OFF switch in a convenient location on a wall near the fireplace.

**FBK-200 Kits, Multi-Open Direct-Vent Gas Fireplaces**

Install the provided variable-speed control in a convenient location on a wall, near the fireplace.

7. Route the wiring.

**Multi-Open Direct-Vent Gas Fireplaces**

Route a 3-wire, 120Vac power line to the ON/OFF switch (FBK-100 kits) or variable speed control (FBK-200 kits) as shown in **Figure 7**. Then route the wires to the unit's junction box. Remove the receptacle by removing the two securing screws. Connect the supply wires to the receptacle (**Figure 7**), ensuring that the polarity (as determined by the colors of the wires) is exactly as shown. Reinstall the receptacle.

- 8. Plug the blower cord into the top receptacle.
- 9. Reinstall the modesty panel (if applicable).

**Elite-2 Series Gas Fireplaces**

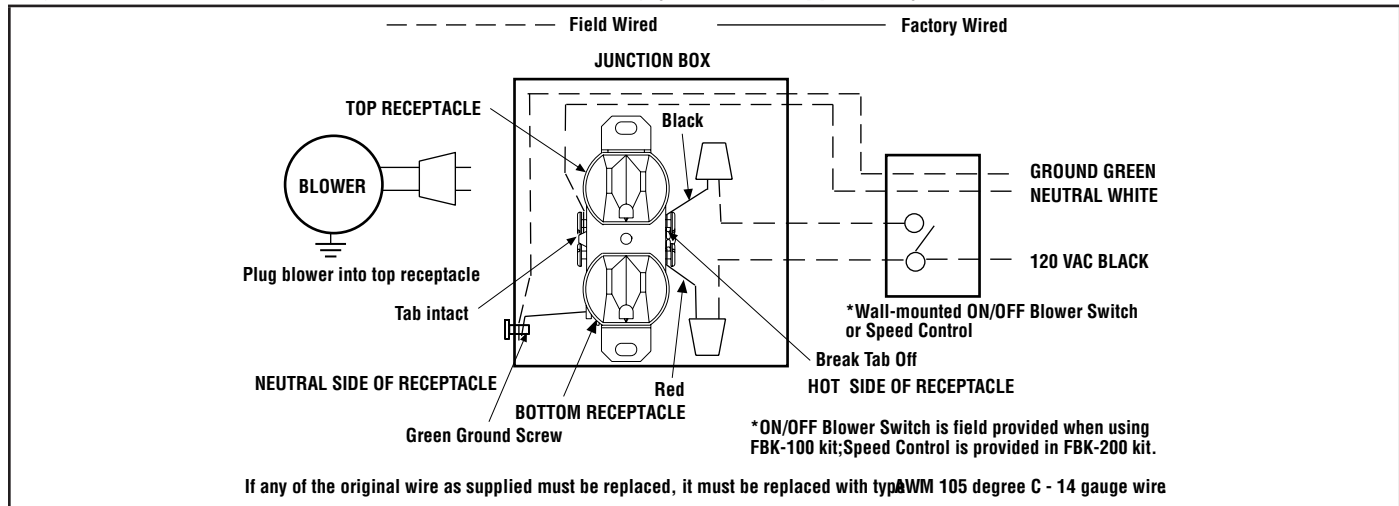
Reinstall the modesty panel carefully, so that none of the wires become loose or disconnected.

- 10. Reinstall the bottom panel, louver assembly, bottom louver panel, or grille.
- 11. Restore electrical power to the fireplace.
- 12. Start the fireplace by following the procedure indicated in the lighting instructions section of the Care and Operation Instructions manual supplied with the fireplace.
- 13. Confirm blower operation (startup, shutdown, variable speed [if applicable], and running).

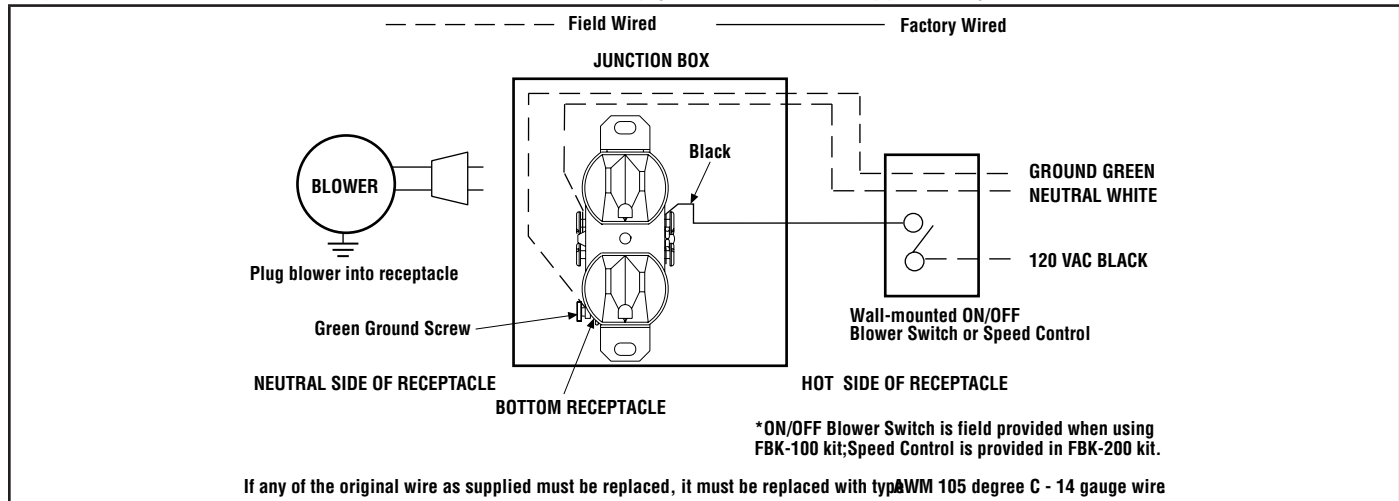
**⚠ CAUTION**

**Ground lead must be connected to the green screw located on the junction box. Failure to do so will prevent the appliance from operating. The appliance must be electrically grounded in accordance with local codes or, in the absence of local codes, the National Electrical Code, ANSI/NFPA 70—latest edition (In Canada, the current CSA C22-1 Canadian Electrical Code.)**

**Figure 7: 120 V, 60 Hz, 1 PH Blower Control Circuit Wiring (Direct Vent Appliances)**



**Figure 8: 120 V, 60 Hz, 1 PH Blower Control Circuit Wiring (Wood and B-Vent Appliances)**



**ELITE LINEAR DIRECT-VENT GAS FIREPLACES**



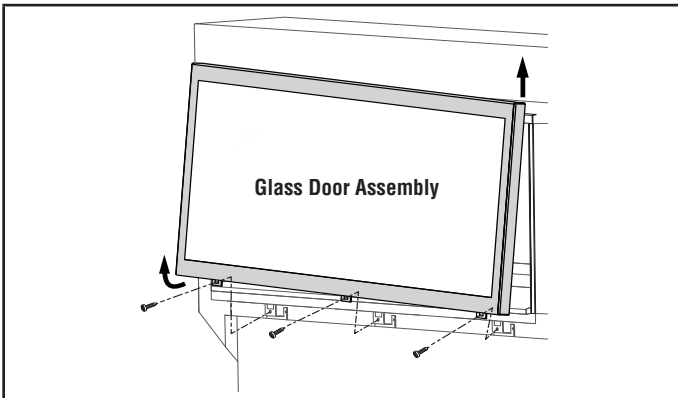
### WARNING/AVERTISSEMENT

**Burn hazard.**  
**Risque de brûlure.**

- Install only when fireplace is OFF and COLD.
- Installer seulement lorsque le foyer est ÉTEINT et FROID.

1. Shut OFF the gas supply to the appliance.
  2. Disconnect the power supply at the circuit breaker.
- NOTE:** Make sure the appliance is COLD before starting installation.
3. Remove the glass door by removing the three (3) screws securing the lower edge of the door to the fireplace (*Figure 15*). Grasp the door assembly by the side edges, swing out the lower edge, and then lift up to unhook it from the fireplace, taking care not to damage the glass. Set aside screws and door assembly in a secure location for later reinstallation.

*Figure 9: Removing the Glass Door*



4. Remove the media.
- NOTE:** Glass media can be removed using a clean, dry, empty shop vac. For all other types of media, follow the instructions provided with the Media Kit.
5. Remove the fireplace floor, by removing the six (6) 5/16 in. screws securing it.
  6. Remove the burner assembly with attached air shutter assembly, by removing the two (2) 5/16 in. screws securing the burner to the burner brackets (*Figure 16*). Carefully slide the burner to the left, to clear the venturi from the orifice (*Figure 17*). Rotate the burner to release the air shutter adjustment rod from the air shutter lever (*Figure 17*). Set aside the screws and burner assembly in a secure location for later reinstallation.
  7. Remove the control compartment access door and gasket (*Figure 16*), by removing the twelve (12) screws. Set the door and screws aside for later reinstallation.
  8. Position the blower assembly so the tabs (on the cabinet base) are seated in the notches of the blower bracket. Bend the tabs over to secure the blower assembly. Reinstall the blower shield with the blower cord routed to the electrical outlet.
  9. Route a 3-wire, 120 Vac power line to the ON/OFF switch

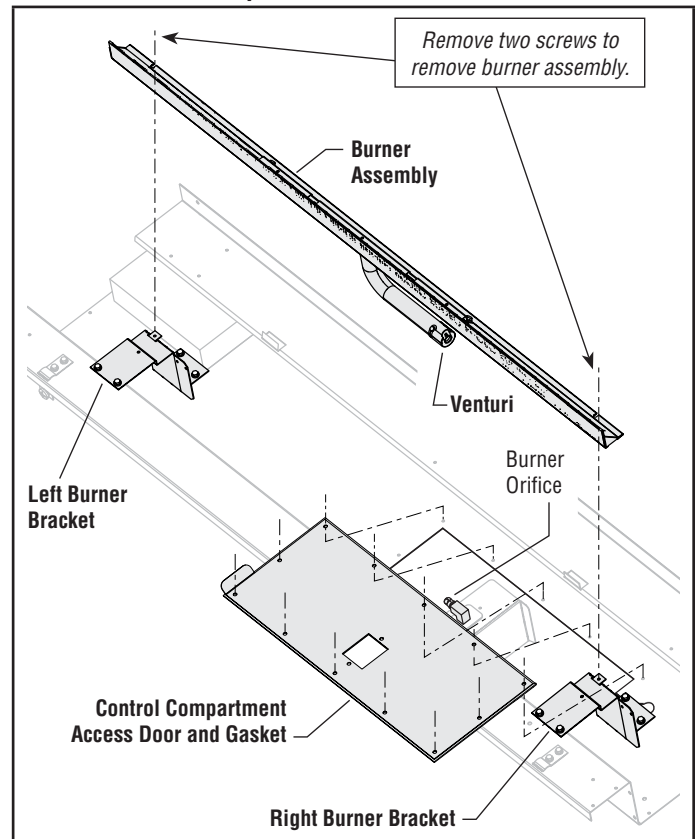
(FBK-100 kits) or variable speed control (FBK-200 kits) as shown in *Figure 7*. Then route the wires to the fireplace junction box. Remove the receptacle by removing the two (2) securing screws. Connect the supply wires to the receptacle (*Figure 7*), ensuring that the polarity (as determined by the colors of the wires) is exactly as shown. Reinstall the receptacle.

10. Plug the blower cord into the switched (black wire) receptacle (*Figure 7*).
11. Confirm blower operation (startup, shutdown, variable speed [if applicable], and running).
12. Replace all removed components, as applicable (control compartment access door and gasket, burner assembly with attached air shutter assembly, media, glass door, and modesty panel).

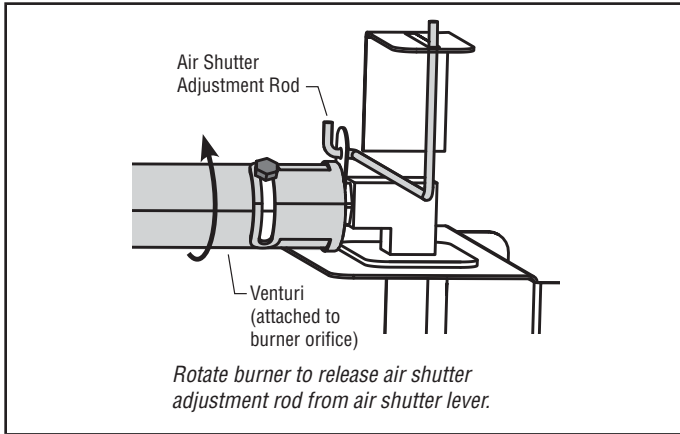
### ! CAUTION

**Ground lead must be connected to the green screw located on the junction box. Failure to do so will prevent the appliance from operating. The appliance must be electrically grounded in accordance with local codes or, in the absence of local codes, the National Electrical Code, ANSI/NFPA 70—latest edition (In Canada, the current CSA C22-1 Canadian Electrical Code.)**

*Figure 10: Accessing the Control Compartment on Elite Linear Fireplaces*



**Figure 11: Removing the Burner from Elite Linear Fireplaces**



**UNIVERSAL VENT-FREE FIREBOXES**

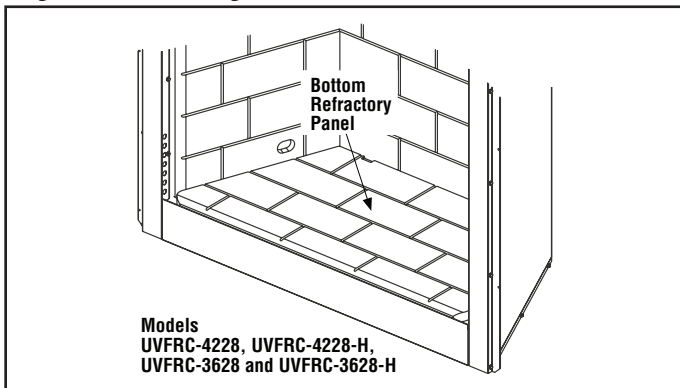
- Blower Kit FBK-100 or FBK-200
- Junction Box Kit JBK

1. Access the bottom compartment.

Models **UVFRC-4228, UVFRC-4228-H, UVFRC-3628, UVFRC-3628-H**

Lift out the bottom firebox liner panel (**Figure 18**).

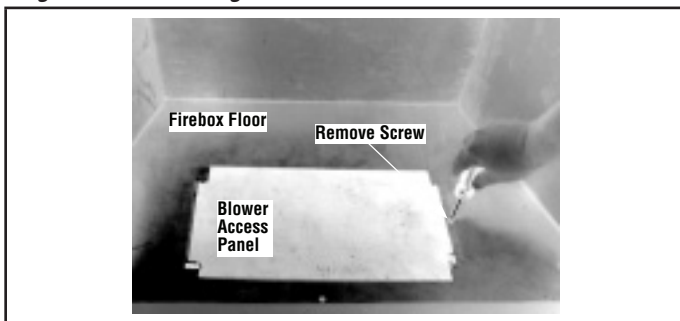
**Figure 12: Removing the Bottom Firebox Liner Panel**



**Model UVF-36**

Using a screwdriver, remove the screw from the blower access panel (**Figure 19**). Slide the panel to the right until the flange clears the opening. Remove the panel and set aside.

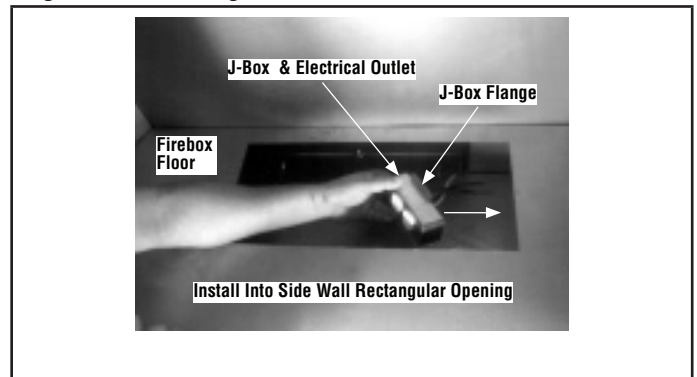
**Figure 13: Removing the Blower Access Panel**



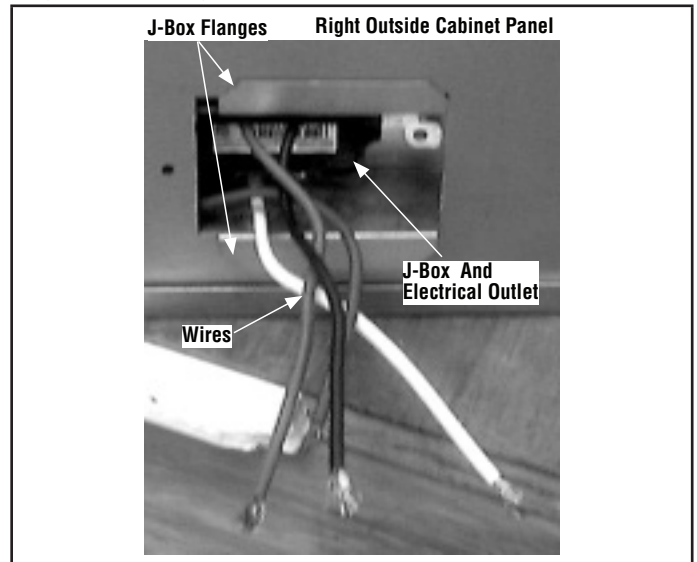
2. Remove the rectangular junction box knock-out on the right side of the unit. Install the junction box and electrical outlet below the firebox floor into the rectangular opening on the right side cabinet panel (with the removed knock-out) (**Figure 20** and **Figure 21**). The junction box/electrical kit is sold separately.

**NOTE:** Pass the wires through the hole, then squeeze the junction box flanges together to fit into opening.

**Figure 14: Installing the Junction Box**



**Figure 15: Wiring the Junction Box**



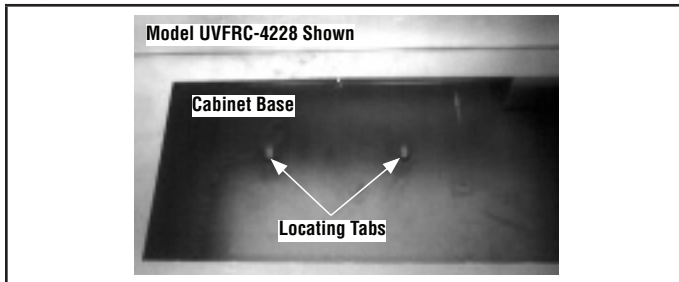
3. Loosely tie a knot in the power cord to take up slack (**Figure 22**).

**Figure 16: Wiring**

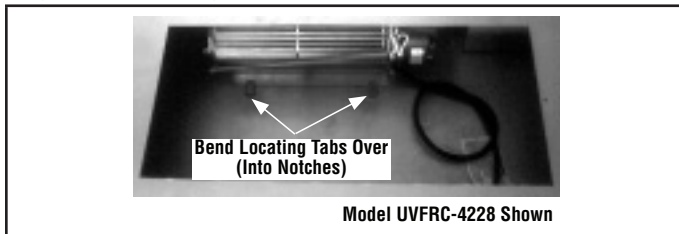


4. Locate the tabs (**Figure 23**). Position the blower assembly so that the tabs (located on the cabinet base) are seated in the notches of the blower bracket. Bend the tabs over to secure the blower assembly (**Figure 24**).

**Figure 17: Locating the Blower Installation Tabs**



**Figure 18: Bending the Blower Installation Tabs**



5. Plug blower power cord into the junction box electrical outlet.
6. Connect the electrical outlet and switch wires to the power supply; 3-wire, 120 VAC, 60 Hz, 1 ph power supply (**Figure 8**).

**FBK-100 Kits**

Install a field-provided ON/OFF wall switch (or P/N 85L87) in a convenient location on a wall, near the fireplace.

**FBK-200 Kits**

Install the provided variable speed control (rheostat) in a convenient location on a wall, near the fireplace.

Innovative Hearth Products reserves the right to make changes at any time, without notice, in design, materials, specifications, prices and also to discontinue colors, styles, and products. Consult your local distributor for fireplace code information.



P750028M

