

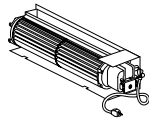
## INSTALLATION INSTRUCTIONS FOR FBK-250 BLOWER KIT

[FOR USE WITH MODELS ALTAIR (-B & -C) 40/45, ARIES (-B, -C & -D) 33/35/40/45, ARIESCD 33/35/40/45, COMPASS 35/45, COMPASSDLX 35/45, DRC2000 33/35/40/45, DRL2000 35/45, DRL3500 35/45, DRT2000 (-B & -C) 33/35/40/45, DRT3000 (-B & -C) 33/35/40/45, DRT4000 (-B) 40/45, DRT35 ST/PF, DRT40 ST/PF/CR/CL, DRT4000 (-B & -C) 40/45, DVF 36/42, EROS35 ST/PF, GEMINI (-B & -C) 35/40/45, LIBRA40 ST/PF/CR/CL, MHD 35/40, MHD40 ST/PF AND VARIOUS LHP LEGACY APPLIANCES]

### KIT CONTENTS

- 1 ea. Blower Assembly
- 2 ea. Screws #6-32 x 1/4
- 1 ea. Blower Speed Control Module
- 1 ea. Instruction Sheet

Blower Kits		
Cat. No.	Model	Description
80L86	FBK-250	Blower Kit, Variable Speed with Thermo Snap Switch



*unit-mounted variable speed blower control module not shown here*

### GENERAL INFORMATION

This blower kit may be used with gas fireplaces. The FBK-250 blower kit is used when unit-mounted variable speed blower control is desired. The blower is installed beneath the firebox. Room air is drawn in through the bottom area of the fireplace, heated as it passes across the firebox, and discharged through the upper panel/louver area at the top of the fireplace. This kit contains one blower, one speed control module, two speed control module securing screws and these instructions.

**READ ALL THE STEPS BEFORE STARTING THE INSTALLATION THE FIREPLACE MUST BE OFF AND COLD BEFORE BEGINNING.**

**ALL WARNINGS, PRECAUTIONS AND INSTRUCTIONS IN THE INSTALLATION AND OPERATION MANUAL PROVIDED WITH THE APPLIANCE APPLY TO THESE INSTRUCTIONS.**

If you encounter any problems, need clarification of these instructions or are not qualified to properly install this kit, contact your local distributor or dealer.

If any of these parts are missing or damaged, contact your dealer or IHP.us.com for referral information.

**! WARNING**

- Blower accessory must be grounded. Blower comes with a three-prong, grounding plug. The plug is your protection against electrical shock. Plug it into a standard, three-hole, grounded, outlet. If cord needs replacing, use only a cord with a three-prong, grounding plug.
- Failure to connect all wires as indicated may cause electrical shock or personal injury.

**! WARNING**

**Reinstall any barrier removed before operating the fireplace. The barrier is designed to reduce the risk of burns from hot glass. Do not operate the fireplace without the barrier installed.**

**! CAUTION**

**Wear cut resistant gloves and protective clothing during this process.**

**! CAUTION**

**Verify proper operation after servicing.**

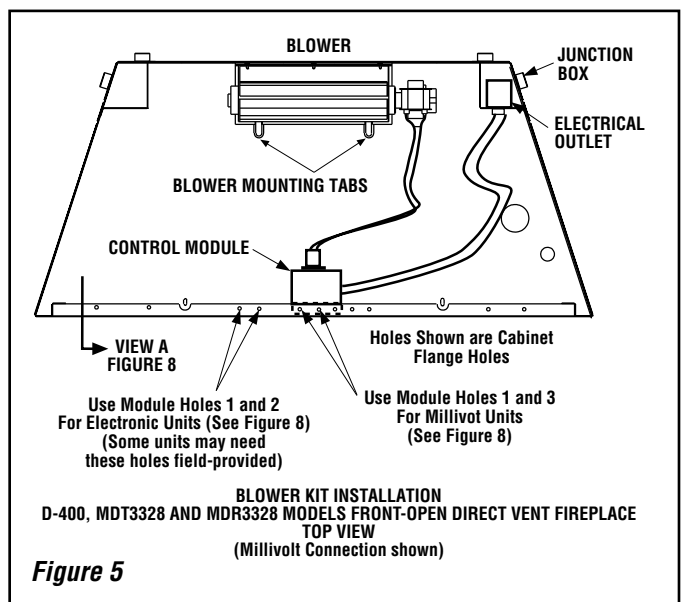
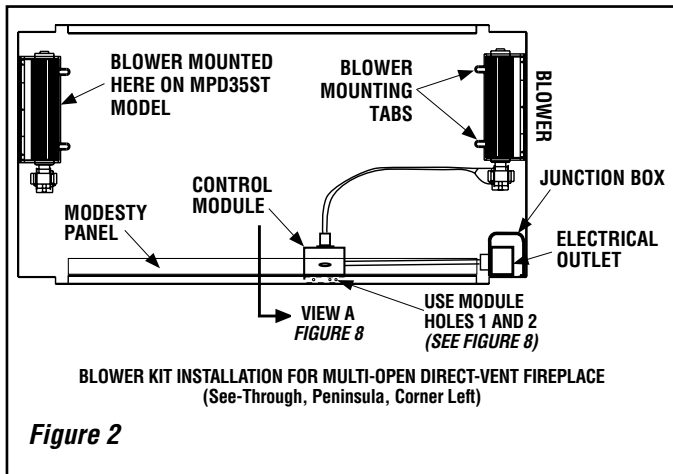
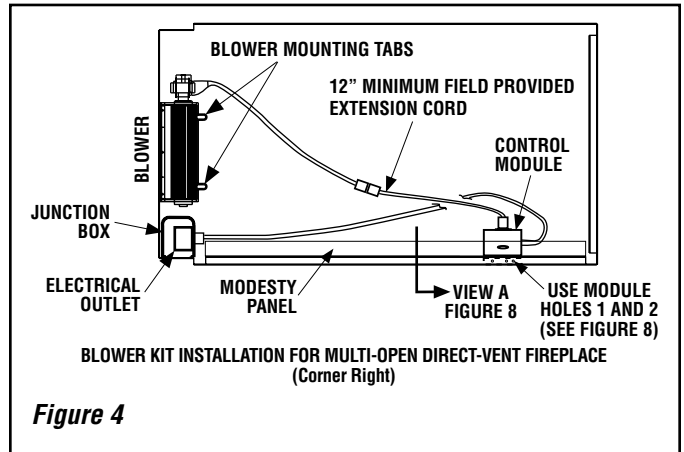
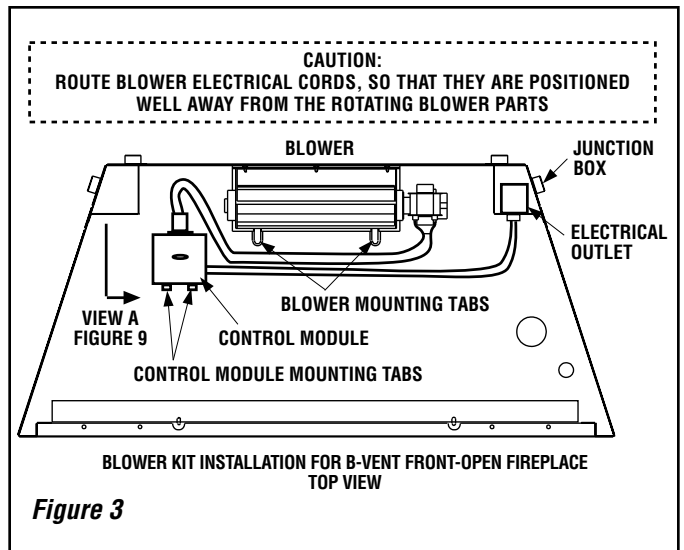
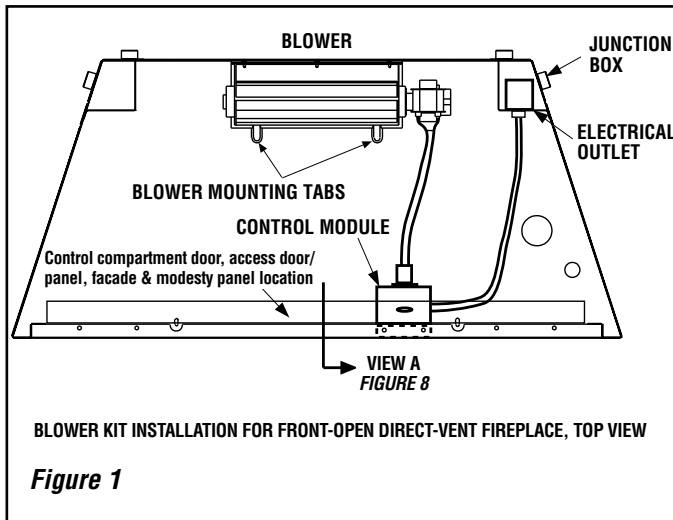
### INSTALLATION INSTRUCTIONS

1. Turn OFF the fireplace and allow it to cool before proceeding.
2. If the appliance is connected to 120 volt power, disconnect the power.
3. Shut off the gas supply to the fireplace.
4. Open the lower compartment door (either a radiant panel or louver assembly) by pushing in simultaneously the left and right side of the door, or simply lower door down (some doors have hinge pins that allow the door to be completely removed by pulling pins). Fireplaces with facades will require the entire facade be removed.
5. **D-400, D-500, D-600 and D-800 series; B-500, B-600, and B-800 series; and MDT3328 and MDR3328 Fireplaces** - Remove the bottom panel or louver assembly by removing the screw at each end of the panel or louver assembly, retain the end spacers, and then pull the panel or the louver assembly from the unit.  
  
**Elite-2 Series Fireplaces** - Remove the bottom compartment door (on Multi-Open fireplaces, the modesty-panel-side door) by sliding the hinge pin, located at the door's left side, to the right until it disengages from the left corner post hole. Pull the door diagonally to the left, away from the fireplace.

**6. Elite-2 Series Fireplaces** - Remove the modesty panel as follows: lift the modesty panel by the tab on the panel's right end, pull the right end of the panel away from cabinet and then pull the panel diagonally out of the corner post slots on the left side of the unit. Remove the modesty panel carefully, so that none of the wires become loose or disconnected.

**7. Front-open direct-vent and B-vent units -**

Slide the blower assembly through the front opening to the middle rear area of the cabinet base. Position the blower assembly so that the tabs (located on the cabinet base) are seated in the notches of the blower bracket. Then bend the tabs over to secure the blower assembly. See **Figure 1**, direct-vent models; **Figure 3**, B-vent models. For Compass and DRL2000 models, if unit is installed into a wall and front or side access panels are not removable, please see instructions in installation manual.



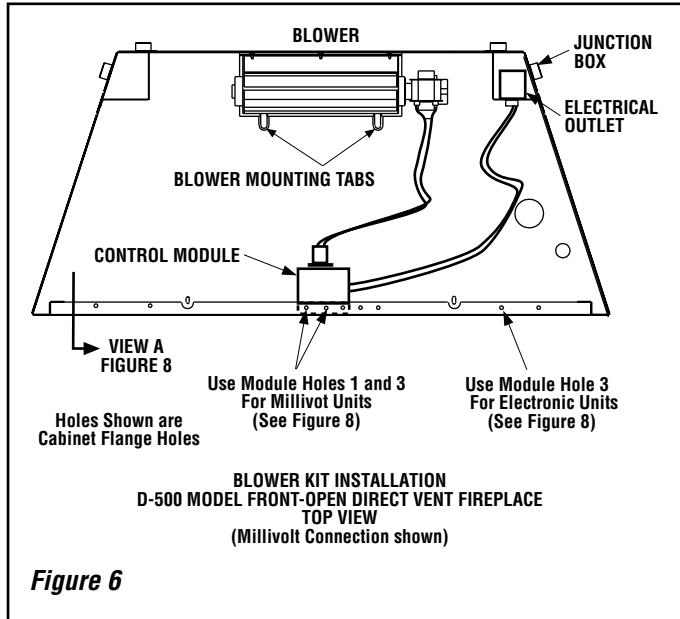
**Multi-open direct-vent** - Open all remaining bottom hinged-panels. Slide the blower assembly through the closest opening to the flue side of the cabinet base. Position the blower assembly so that the tabs (located on the cabinet base) are seated in the notches of the blower bracket. Bend the tabs over to secure the blower assembly. *See Figure 2 for see-through, peninsula or corner-left models; Figure 4 for corner right models.*

**8. If electrical power has not been provided to the unit's junction box receptacle** - Route a 3-wire, 120 Vac power line to the unit's junction box. Remove the receptacle by removing the two securing screws. Connect the supply wires to the receptacle as shown in *Figure 10*. Reinstall the receptacle.

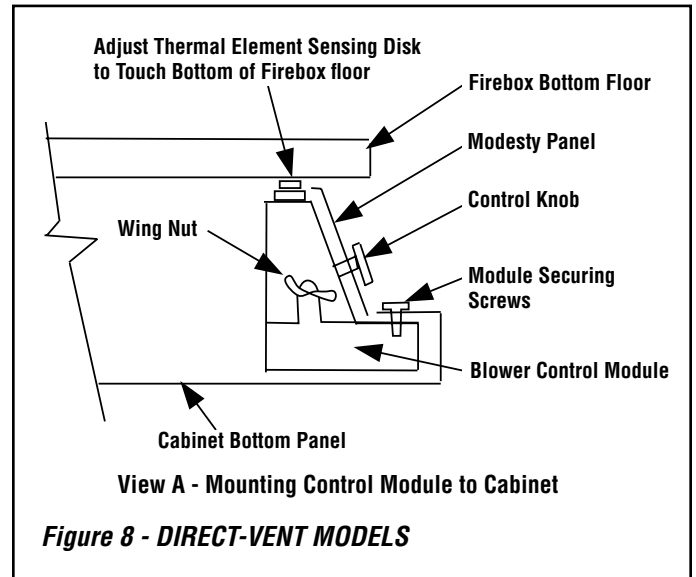
**IMPORTANT: Ground lead must be connected to the green screw located on the junction box. Failure to do so will prevent the appliance from operating.** The appliance must be electrically grounded in accordance with local codes or, in the absence of local codes, the National Electrical Code, ANSI/NFPA 70-latest edition (In Canada, the current CSA C22-1 Canadian Electrical Code).

**9. Multi-open direct-vent units** - Install a junction box cover (field-provided) over the junction box.

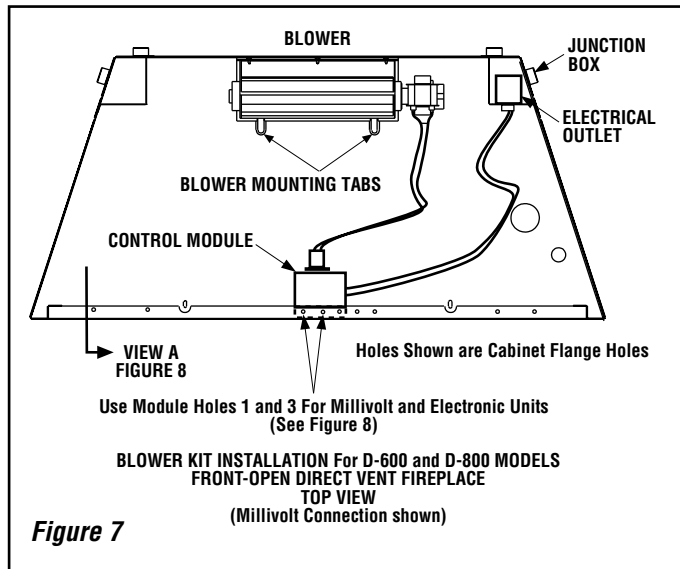
**10. Direct-vent units** - Place the front lip of the control module underneath the front flange of the cabinet bottom panel as shown in *View A, Figure 8*. Secure the module with the two (or one) kit-provided screw(s).



**Figure 6**



**Figure 8 - DIRECT-VENT MODELS**



**Figure 7**

**B-vent units** - There are two module mounting tabs located on the cabinet base just to the left/front of the blower, as shown in *Figure 3*. Bend these tabs up, 90 degrees. Place the control module behind the vertical tabs as shown in *Figure 3* and secure the module to the tabs with the two screws provided in this kit.

**11. Adjust the height of the thermal element sensing disk located on top of the module so that it touches the underside of the firebox floor in Direct-vent units, B-600/800 units and the firebox sub-floor in B-500 units.** To accomplish this, loosen the wing nut on the module's side, raise the sensing disk housing to the height required above, then retighten the wingnut. See *Figure 8, View A* for direct-vent units, see *Figure 9, View A* for B-500 units and *Figure 9, View B* for B-600/800 units.

**12. Plug the blower cord into the module and the module cord into the top receptacle as shown in Figure 10.**

**13. Elite-2 Series Gas Fireplaces** - Remove the control knob from the module. See *View A, Figure 8*. Cut out the circular opening on the modesty panel sticker that is reserved for the installation of the speed control module. Reinstall the modesty panel carefully, so that none of the wires become loose or disconnected. Reinstall the control knob, then Reinstall the modesty panel. Reinstall the modesty panel carefully, so that none of the wires become loose or disconnected. If your fireplace is not an Elite 2 series, please move to **Step 14**.

14. Reinstall the bottom panel, louver assembly, access door, control compartment door, facade or Barrier that was removed prior to operation.
15. Restore the electrical power to the unit.
16. Start the fireplace by following the procedure indicated in the lighting instructions section of the Installation and Operation Instructions manual, supplied with the fireplace.
17. Check the start up and shutdown, and the running operation of the blower. Also check the variable speed feature of the speed control.

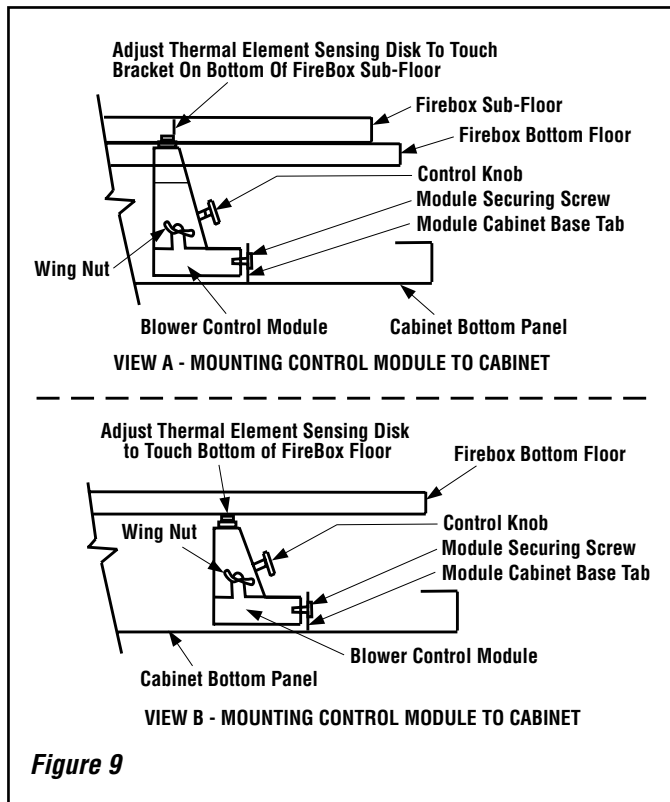


Figure 9

## J-BOX WIRING

### **⚠ CAUTION**

**Ground lead must be connected to the green screw located on the junction box. Failure to do so will prevent the appliance from operating. The appliance must be electrically grounded in accordance with local codes or, in the absence of local codes, the National Electrical Code, ANSI/NFPA 70—latest edition (In Canada, the current CSA C22.1 Canadian Electrical Code).**

**Direct-vent Units** - The approximate blower start time is 15 minutes from main burner startup. The approximate blower shut off time is 10 minutes after main burner shut down.

**B-Vent Units** - The approximate blower start time is 20 minutes from main burner startup. The approximate blower shut off time is 20 minutes after main burner shut down.

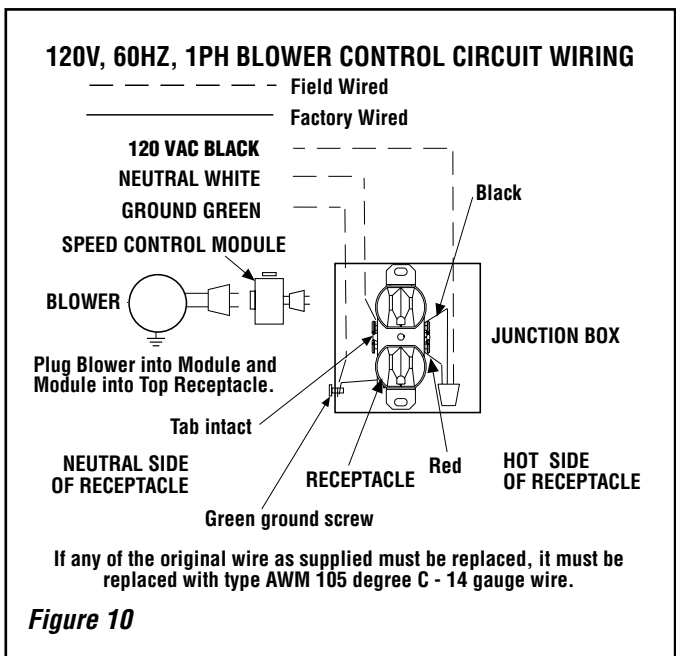


Figure 10

NOTE: DIAGRAMS AND ILLUSTRATIONS NOT TO SCALE

Innovative Hearth Products (IHP) reserves the right to make changes at any time, without notice, in design, materials, specifications, prices and the discontinuance of colors, styles and products. Consult your local distributor for fireplace code information.

