

**ROCKER SWITCH KIT**

**INSTALLATION INSTRUCTIONS FOR ROCKER SWITCH KIT (CATALOG NO. 80L41)  
USED WITH FIRECRAFT TECHNOLOGIES GAS FIREPLACES**

**GENERAL INFORMATION**

This rocker switch kit may be used with Innovative Hearth Products gas fireplaces. It may be used to turn the main burner on and off. This kit contains one rocker switch assembly (see figure 1) and these instructions.

**INSTALLATION INSTRUCTIONS**

**Step 1. Turn off the fireplace and allow it to cool before proceeding.**

**Step 2. If the appliance is connected to 120 volt power, disconnect the power.**

**Step 3.** Open the lower panel/louver assembly by pushing in simultaneously the left and right side of the panel/louver assembly.

**Step 4.** Snap the rocker switch into the rectangular opening of the bracket attached to the gas valve.

**Step 5.** On millivolt models, connect the wires to the gas valve terminals as shown in figure 2. **Do not connect this millivolt gas valve to 120 volt electrical power.**

ROCKER SWITCH (ON/OFF) ASSEMBLY

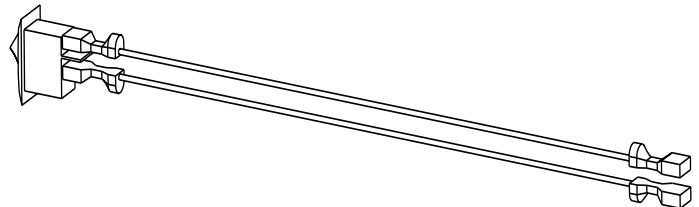


Figure 1

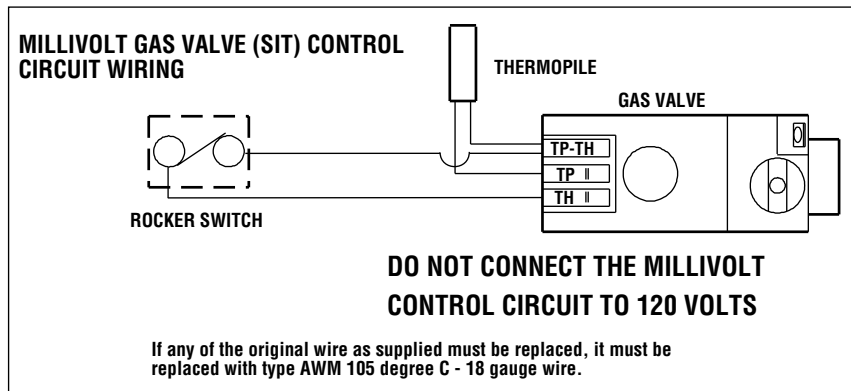


Figure 2