

INSTALLATION INSTRUCTIONS FOR FIRECRAFT'S DOOR ADAPTER KIT MODELS: ADK-RC33, ADK-RC38 AND ADK-RC43 FOR USE WITH RC SERIES FIREPLACES AND ABF SERIES DOORS

GENERAL INFORMATION

Superior's new ABF Series doors are designed to fit Superior fireplaces that may have been previously sold and shipped for use, prior to the ABF Series door design. The previously manufactured fireplaces will not come equipped from the factory with an installed one piece upper door guide track. This kit is designed to adapt these appliances for use with the ABF series doors, Models 33ABF-BB, 38ABF-BB and 43ABF-BB. The following steps detail the procedure for installing the track.

TOOLS REQUIRED

Medium Phillips Screwdriver • Electric Drill With 1/4" to 9/32" Bit

INSTALLATION PROCEDURE

Step 1. Remove the upper and lower door tracks in the existing assembly. The opening should be 21" top to bottom, from Filigree to Filigree.

Step 2. Back off (two turns) the screws located just inside the front upper lip (Filigree) of the firebox opening.

Step 3. Orientate the new door track, with the slots opened to the rear as shown in *Figure 1*, and engage the slots over the screws loosened in Step 1, above.

Step 4. Tighten all loosened screws to secure the track in place.

Step 5. Align the drill guide template with the lower Filigree (as shown in *Figure 1 Detail*). Secure the guide temporarily with a screw to hold it in place. Drill through with a 1/4" to 9/32" bit. Remove drill guide template after new hole is drilled.

Repeat this procedure with the opposite side and top locations within the door track.

Step 6. Refer to the Installation Instructions for installation of the door.

WARNING: FAILURE TO ENSURE ALL LOOSENED SCREWS ARE RE-TIGHTENED, MAY RESULT IN A FIRE HAZARD. ENSURE ALL LOOSENED SCREWS ARE SECURELY TIGHTENED.

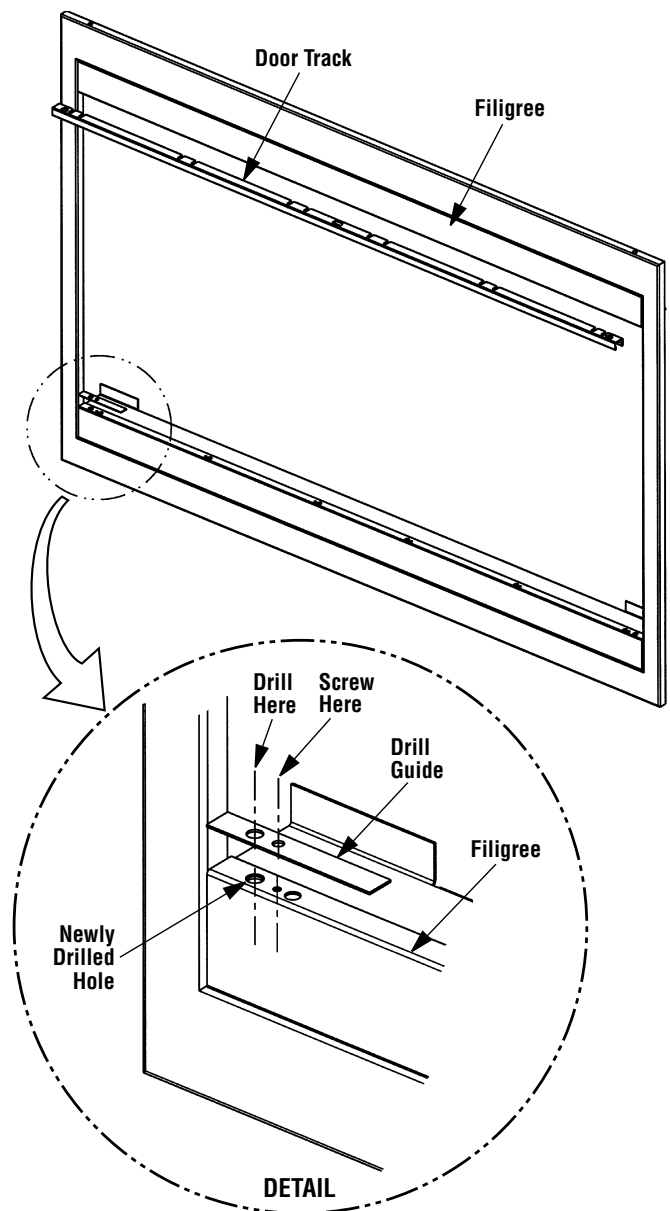


Figure 1

NOTE: DIAGRAMS & ILLUSTRATIONS NOT TO SCALE.

The manufacturer reserves the right to make changes at any time, without notice, in design, materials, specifications, prices and also to discontinue colors, styles and products. Consult your local distributor for fireplace code information.