



P/N 126864-01 Rev. B 01/2015

# DRAFT SHIELD KIT MODEL LV43DS (F1031) INSTALLATION INSTRUCTIONS

For use with VRL4543ZMN/P and  
ParisLights43ZMN/P Series Models

For more information, visit [IHP.US.com](http://IHP.US.com)

**Parts included with these kit:**

PART NO.	DESCRIPTION	LV43DS	QTY
126416-01	Kit, Flame Shield	•	1
126451-01	Sheet, Instruction	•	1

**GLASS PANEL INSTALLATION**

**Note:** The glass panel assembly should be installed after the fireplace is completely framed and finished.

1. Using two existing screws on side filler, attach brackets to the front side face on each side of the fireplace as shown in Figure 1.
2. Position the glass panel in the bracket so that it is securely in place.

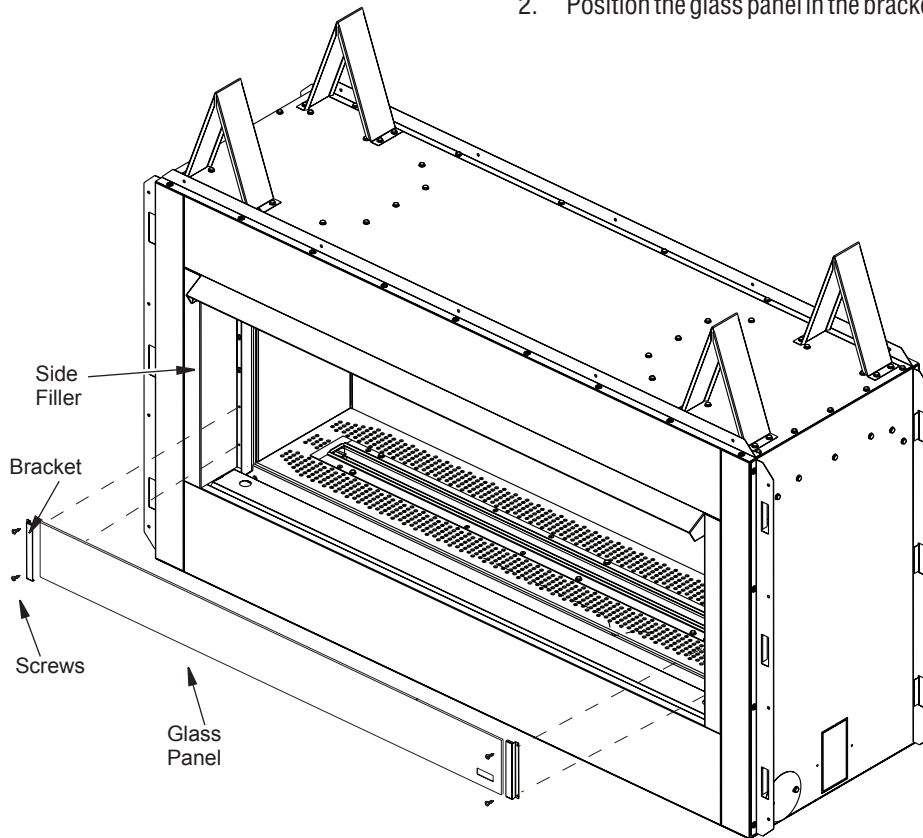


Figure 1 - Installing Glass Panel

INNOVATIVE HEARTH PRODUCTS  
1508 Elm Hill Pike, Suite 108  
Nashville, TN 37210  
1-800-655-2008  
[IHP.US.com](http://IHP.US.com)