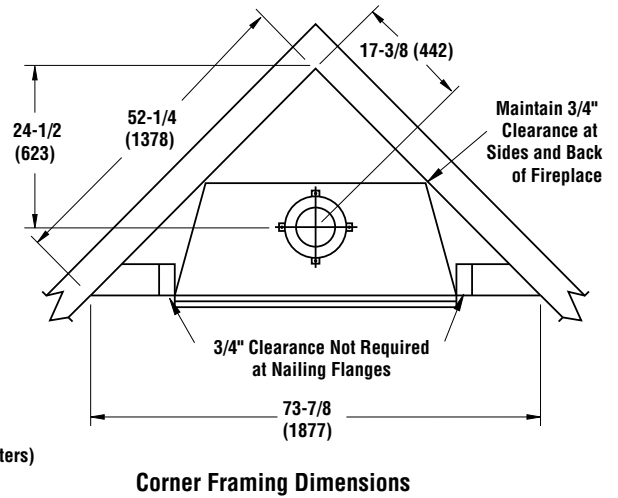
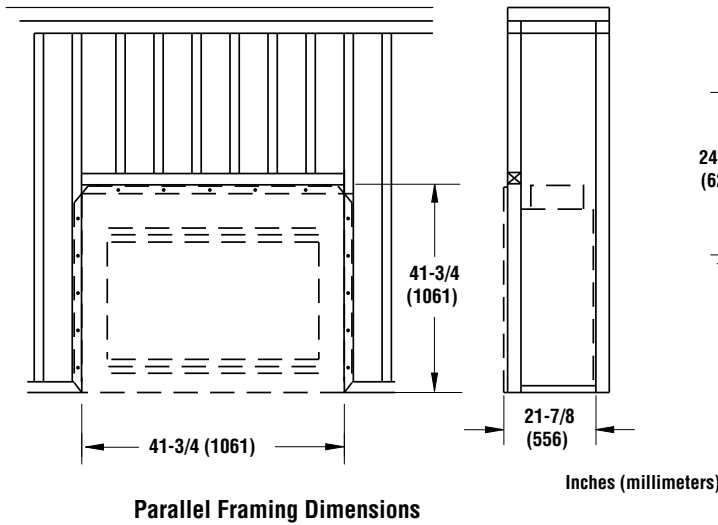


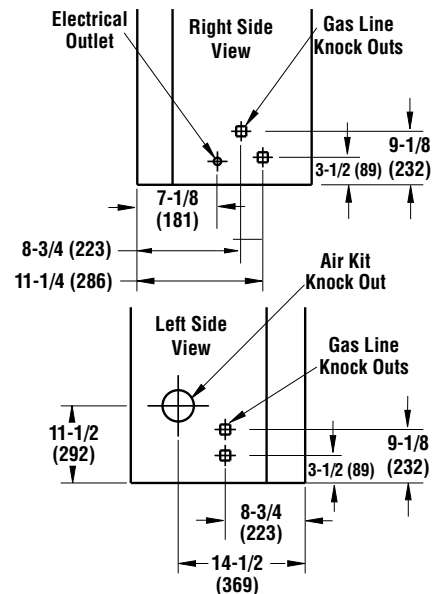
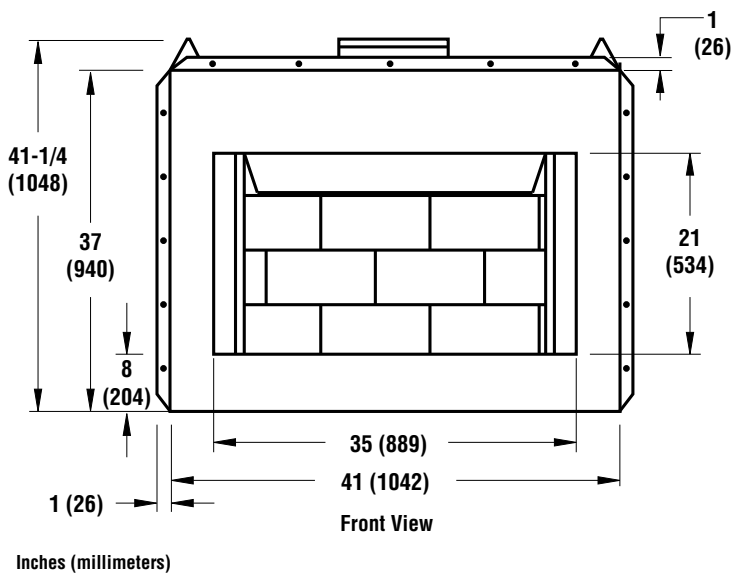
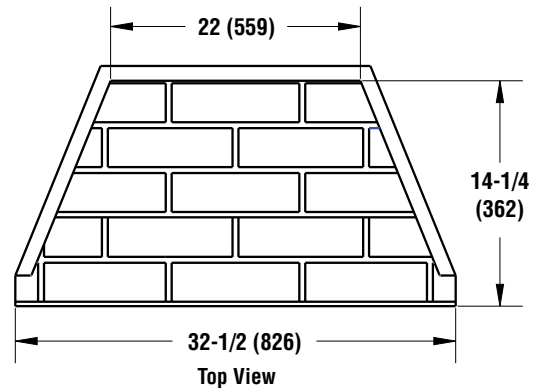
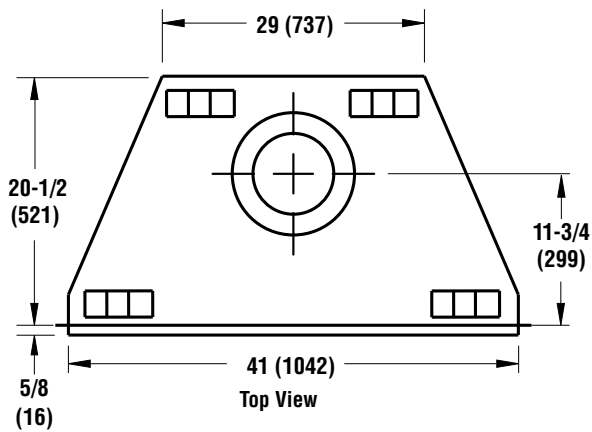
WRT3036 AND WCT3036 SERIES

WOOD-BURNING FIREPLACES

Framing Dimensions



Fireplace Dimensions



WRT3036 AND WCT3036 SERIES

Product Information

Product Reference Information				
Cat. No.	Model	Desc.	Shipping Weight	Shipping Volume
F0660	WRT3036WSI	Radiant	184 lb.	23.8 cu. ft.
F0663	WCT3036WSI	Louver	184 lb.	23.8 cu. ft.

Listing Information



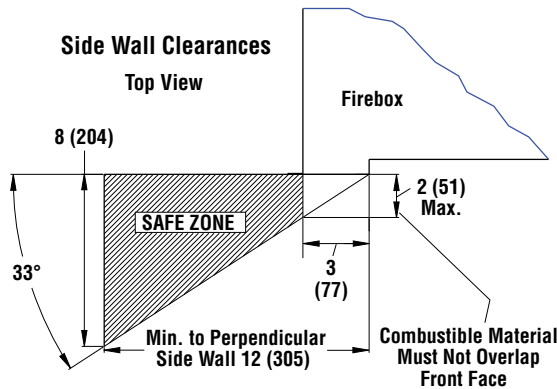
Report No. 10-078

This fireplace has been tested and approved by PFS Corporation under UL127/ULC-S610 standard as a Factory Built Appliance and may be used with gas logs approved to ANSI Z21.60, Z21.84 or Z21.11.2 standards.

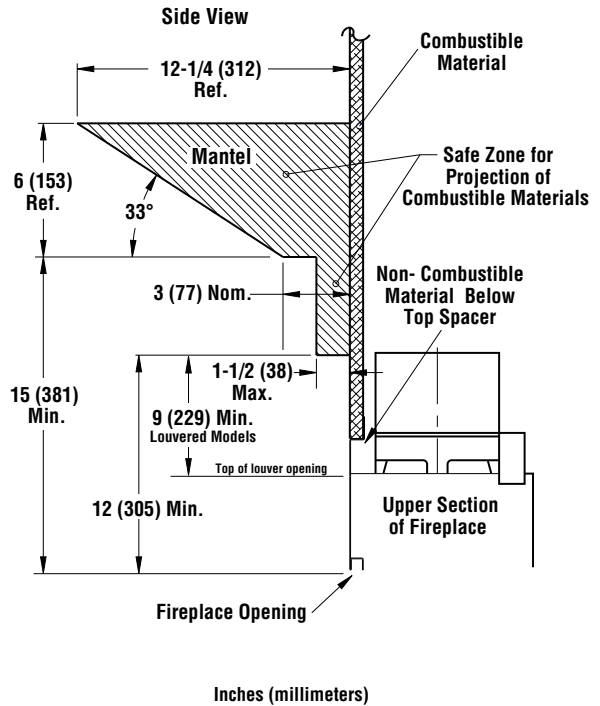
Clearances to Combustibles	
Description	Min. Clearance
Ceiling	40 (1016)
Back and sides of fireplace	3/4 (19)*
Floor	0 (0)**
Perpendicular wall to opening	12 (305)
Top spacers	0 (0)
Chimney outer pipe surface	1 (26)

* Not required at nailing flanges
 ** See step 2 of Framing in the Installation and Operation Manual

Clearances



Mantel Clearances



Venting

Venting
 Uses Standard (8DM) and Hi-Temp (8HT) Wood-Burning Chimney. For Canada Use 8HT Chimney

