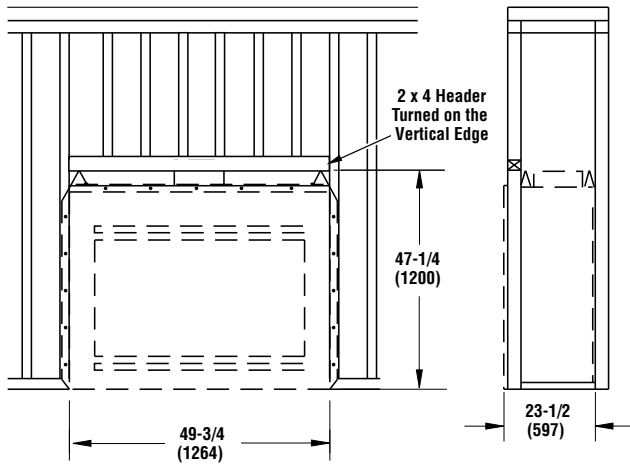


WRE3042 SERIES

RESIDENTIAL AND OUTDOOR WOOD-BURNING FIREPLACES

Framing Dimensions



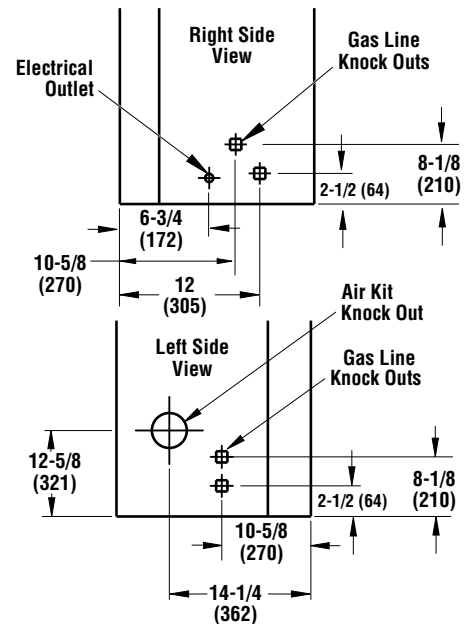
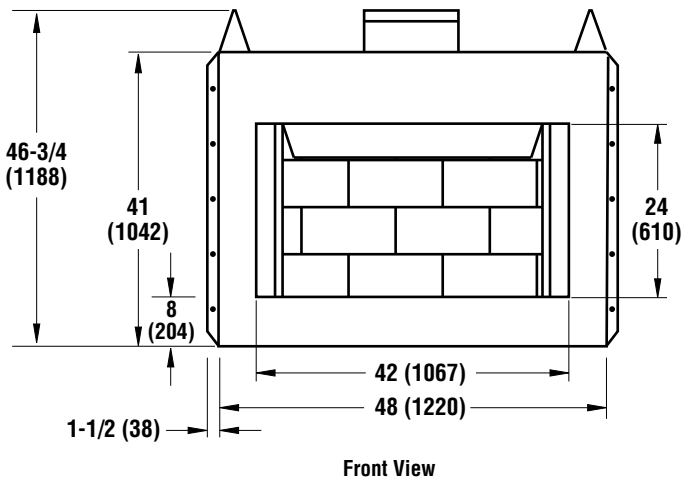
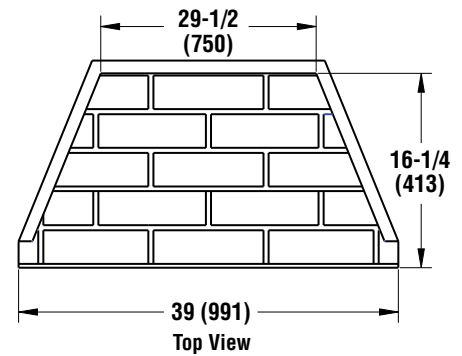
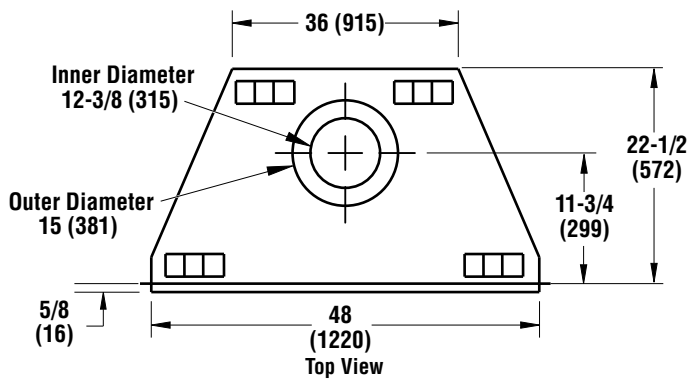
Parallel Framing Dimensions



Corner Framing Dimensions

Inches (millimeters)

Fireplace Dimensions



Inches (millimeters)

WRE3042 SERIES

Product Information

Product Reference Information			
Cat. No.	Model	Shipping Weight	Shipping Volume
F0453	WRE3042WS	184 lb.	23.8 cu. ft.
F0454	WRE3042WH	184 lb.	23.8 cu. ft.

Listing Information



Report No. 10-078

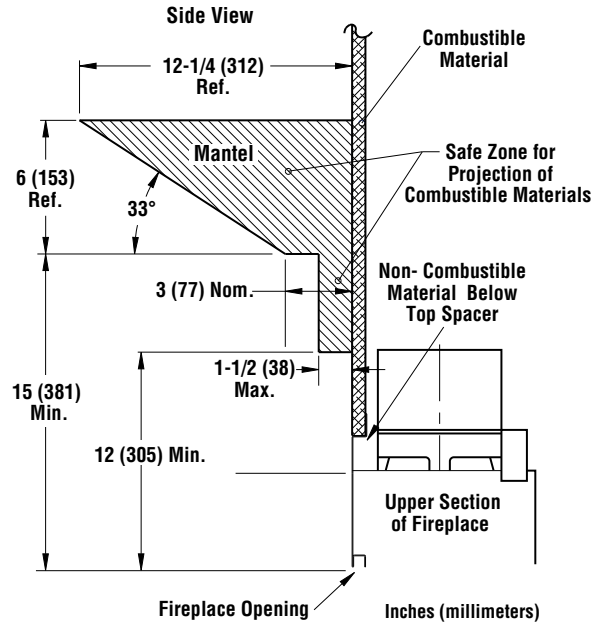
This fireplace has been tested and approved by PFS Corporation under UL127/ULC-S610 standard as a Factory Built Appliance and may be used with gas logs approved to ANSI Z21.60, Z21.84 or Z21.11.2 standards.

Clearances to Combustibles	
Description	Min. Clearance
Back and sides of fireplace	3/4 (19)*
Floor	0 (0)**
Perpendicular wall to opening	12 (305)
Top spacers	0 (0)
Chimney outer pipe surface	1 (26)

* Not required at nailing flanges

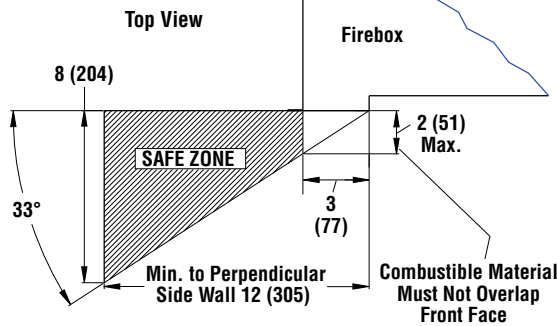
** See step 2 of Framing in the Installation and Operation Manual

Mantel Clearances



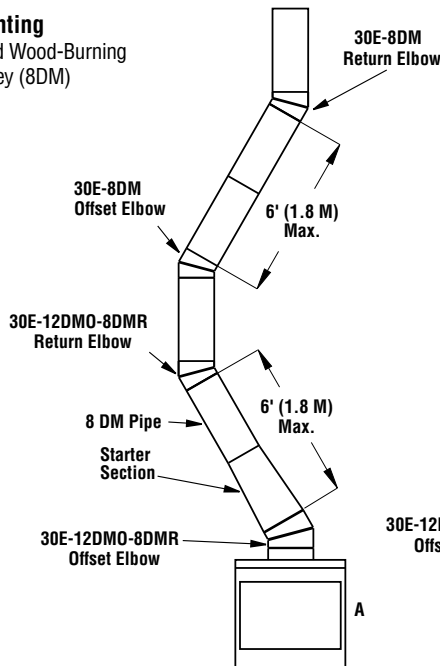
Clearances

Side Wall Clearances

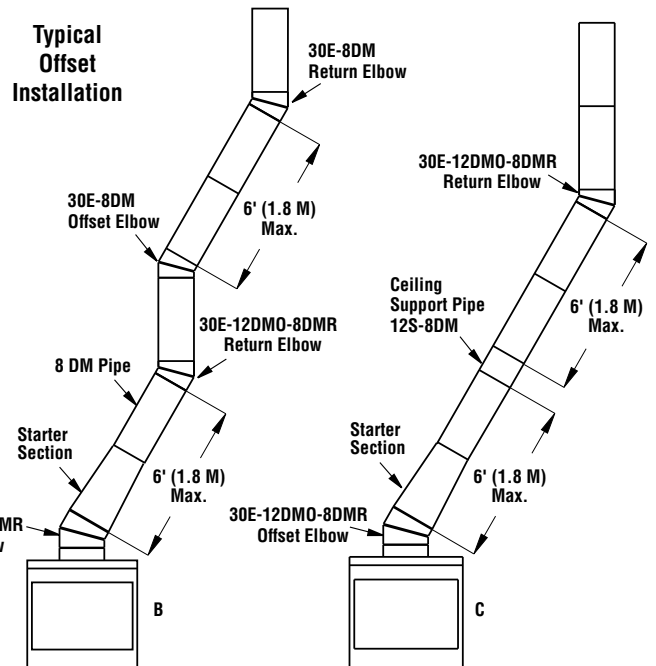


Venting

Uses Standard Wood-Burning Chimney (8DM)



Typical Offset Installation



Venting