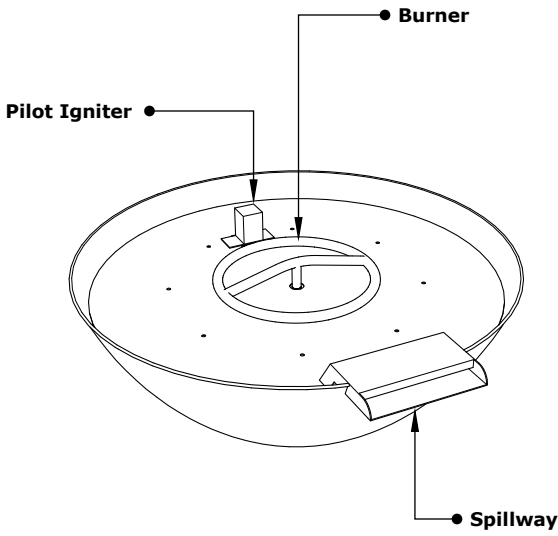


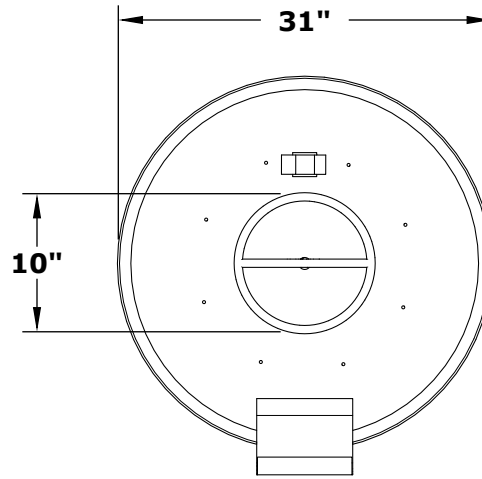
REMI FIRE & WATER BOWL

OPT-31RCFW
OPT-31RCFWE12V

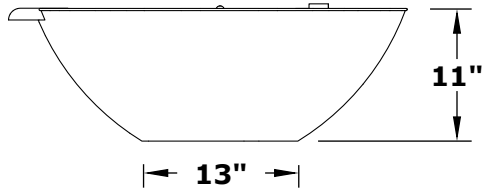
 **THE OUTDOOR PLUS**
USA MANUFACTURER OF FIRE & WATER FEATURES



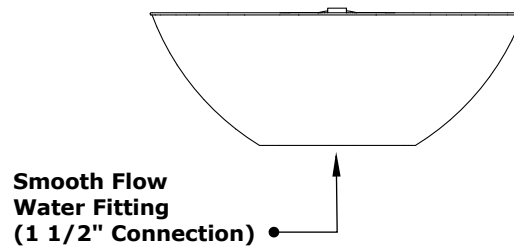
ISOMETRIC VIEW



TOP VIEW



RIGHT SIDE VIEW



FRONT SIDE VIEW

Bowl Material: Hammered Copper
Pan Material: 304 Stainless Steel
Burner Material: 304 Stainless Steel
Standard 2" Depth on all pans

12V ELECTRONIC IGNITION
ANSI Z21.97-(2017) / CSA 2.41-(2017)



Match Lit Unit Includes: Pan, Burner, Gas Orifice, Gas Hoses, Key Valve, Key,
12v Ignition Unit Includes: Pan, Burner, Gas Orifice, Gas Hoses, Key Valve, Key, Plug & Play Electronic Valve, Pilot Igniter.