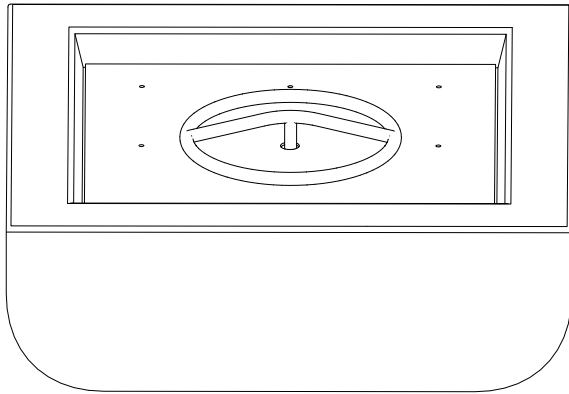
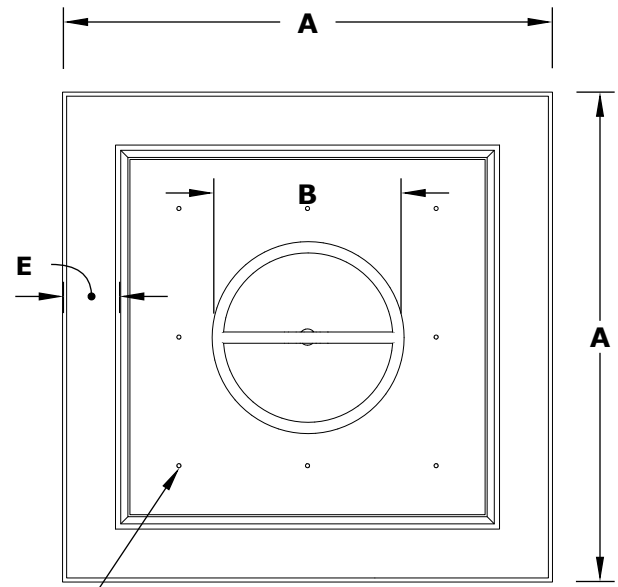


# AVALON FIRE BOWL - GFRC CONCRETE

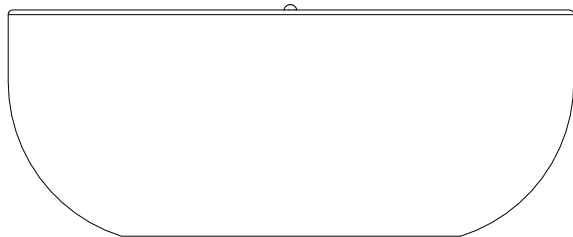


**ISOMETRIC VIEW**

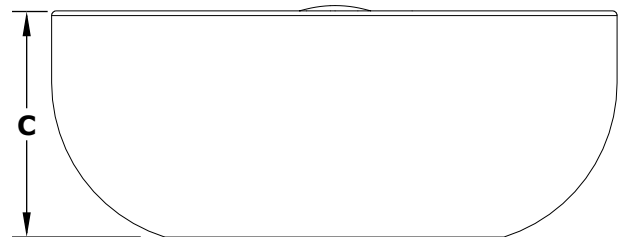


Drain Holes

**TOP VIEW**



**RIGHT SIDE VIEW**



**FRONT SIDE VIEW**

SKU	A	B	C	D	E	BTU
OPT-AVLFO24	24"	8"	10"	13"	2.5"	45,000
OPT-AVLFO30	30"	8"	12"	18"	3.5"	45,000
OPT-AVLFO36	36"	12"	12"	20"	4"	65,000

Fire Pit Material: GFRC Concrete  
 Finish: Smooth Finish  
 Pan Material: 304 Stainless Steel  
 Burner Material: 304 Stainless Steel

**12V ELECTRONIC IGNITION**  
 ANSI Z21.97-(2017) / CSA 2.41-(2017)



Includes: Pan, Burner, Whistle Free Hoses, Black Lava Rock.