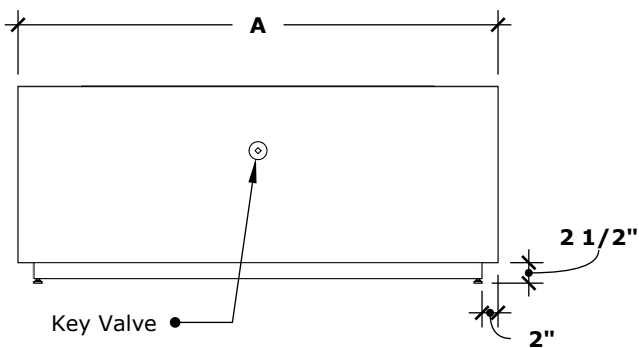


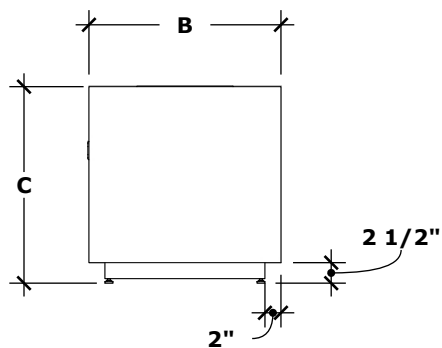
PISMO FIRE PIT

Copper, Corten Steel, Stainless Steel, Powder Coated Steel



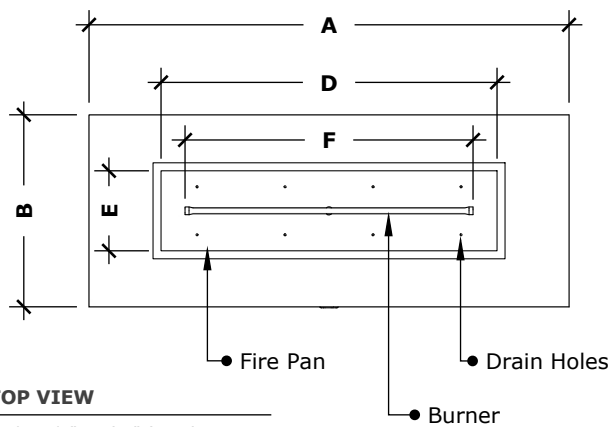
FRONT VIEW

scale: 1/2" = 1'-0" (1:24)



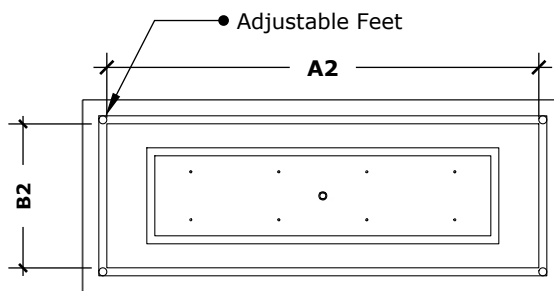
RIGHT VIEW

scale: 1/2" = 1'-0" (1:24)



TOP VIEW

scale: 1/2" = 1'-0" (1:24)



UNDERSIDE VIEW

scale: 1/2" = 1'-0" (1:24)

HAMMERED COPPER	CORTEN STEEL	STAINLESS STEEL	POWDER COAT STEEL	A	A2	B	B2	C	D	E	F	BTU
OPT-CPRT4824	OPT-R4824CS	OPT-R4824SS	OPT-R4824PC	48"	42"	24"	18"	24"	36"	12"	30"	65,000
OPT-CPRT6024	OPT-R6024CS	OPT-R6024SS	OPT-R6024PC	60"	54"	24"	18"	24"	48"	12"	42"	65,000
OPT-CPRT7224	OPT-R7224CS	OPT-R7224SS	OPT-R7224PC	72"	66"	24"	18"	24"	60"	12"	54"	80,000
OPT-CPRT8424	OPT-R8424CS	OPT-R8424SS	OPT-R8424PC	84"	78"	24"	18"	24"	72"	12"	66"	100,000

Fire Pit Material: Multiple

Pan Material: 304 Stainless Steel

Burner Material: 304 Stainless Steel

Match Lit Unit Includes: Pan, Burner, Gas Orifice, Gas Hoses, Key Valve, Key,

110v Ignition Unit Includes: Pan, Burner, Gas Orifice, Gas Hoses, Key Valve, Key, Plug & Play Electronic Valve, Pilot Igniter.



110V ELECTRONIC IGNITION CERTIFICATION
ANSI Z21.97-(2017) / CSA 2.41-(2017)