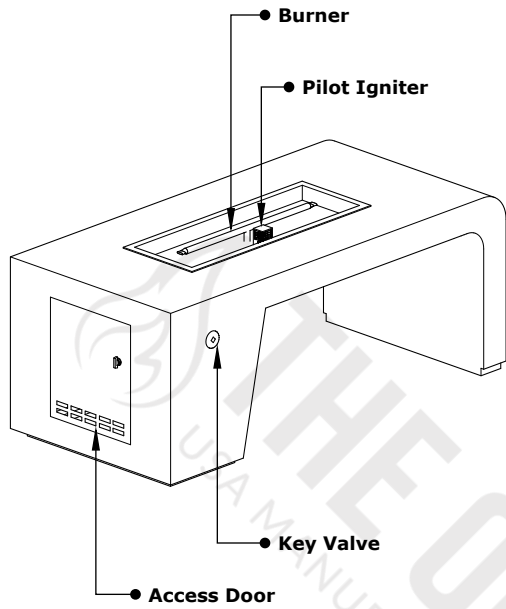
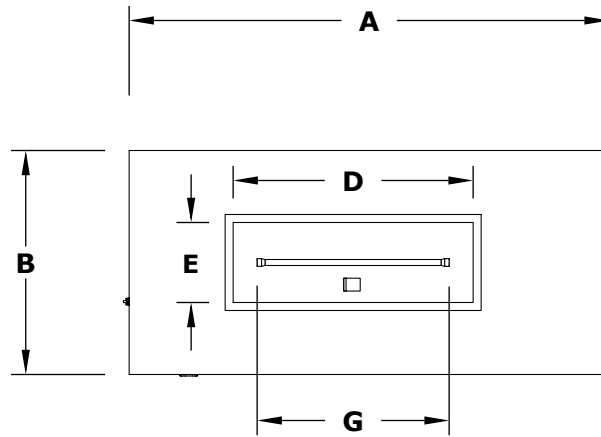


# MAYWOOD FIRE PIT

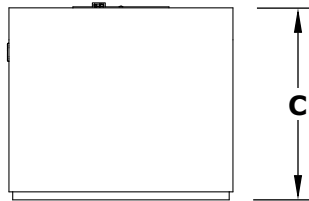
VARIOUS METALS



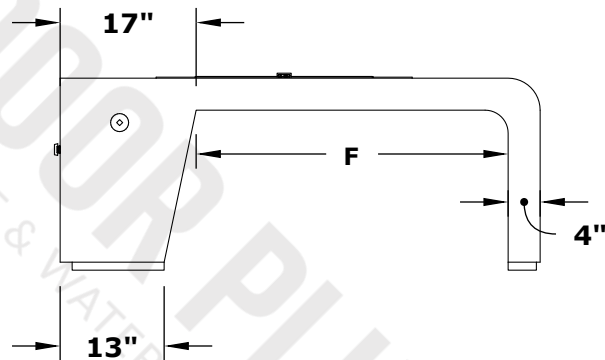
ISOMETRIC VIEW



TOP VIEW



RIGHT SIDE VIEW



FRONT SIDE VIEW

| Hammered Copper | Stainless Steel | Corten Steel | Powder Coat | A   | B   | C   | D   | E   | F   | G   | BTU     |
|-----------------|-----------------|--------------|-------------|-----|-----|-----|-----|-----|-----|-----|---------|
| OPT-MYWCPR60    | OPT-MYWSS60     | OPT-MYWCS60  | OPT-MYWPC60 | 60" | 28" | 24" | 30" | 10" | 39" | 24" | 40,000  |
| OPT-MYWCPR72    | OPT-MYWSS72     | OPT-MYWCS72  | OPT-MYWPC72 | 72" | 28" | 24" | 42" | 10" | 51" | 36" | 50,000  |
| OPT-MYWCPR84    | OPT-MYWSS84     | OPT-MYWCS84  | OPT-MYWPC84 | 84" | 28" | 24" | 54" | 10" | 63" | 48" | 80,000  |
| OPT-MYWCPR96    | OPT-MYWSS96     | OPT-MYWCS96  | OPT-MYWPC96 | 96" | 28" | 24" | 66" | 10" | 75" | 60" | 100,000 |

Fire Pit Material: Various Materials  
 Pan Material: 304 Stainless Steel  
 Burner Material: 304 Stainless Steel  
 Standard 2" Depth on all pans

**110V ELECTRONIC IGNITION**  
 ANSI Z21.97-(2017) / CSA 2.41-(2017)



Match Lit Unit Includes: Pan, Burner, Gas Orifice, Gas Hoses, Key Valve, Key,  
 110v Ignition Unit Includes: Pan, Burner, Gas Orifice, Gas Hoses, Key Valve, Key, Plug & Play Electronic Valve, Pilot Igniter.

|              |                    |
|--------------|--------------------|
| Drawn By     | Murguia M.         |
| Date Created | September 17, 2021 |

Proprietary & Confidential: The information contained in this drawing is the sole property of The Outdoor Plus. Any reproduction or as a whole without written permission of The Outdoor Plus is prohibited.