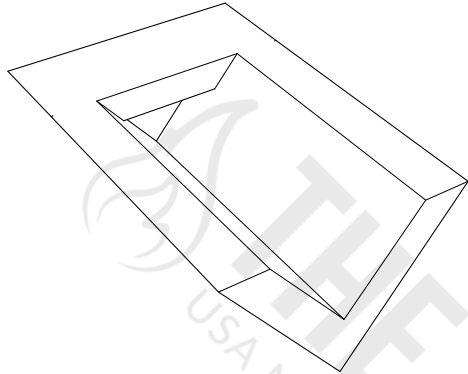
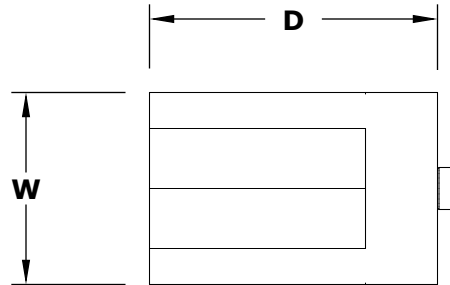


# V-SHAPE STYLE SCUPPER

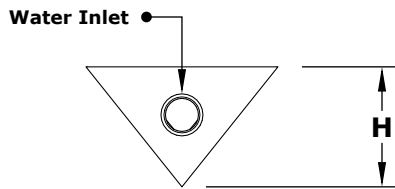
STAINLESS STEEL / COPPER



**ISOMETRIC VIEW**



**TOP VIEW**



**RIGHT SIDE VIEW**



**FRONT SIDE VIEW**

| PART NUMBER | W   | H  | D   | Inlets  |
|-------------|-----|----|-----|---------|
| OPT-WS6     | 6"  | 5" | 12" | 1 Inlet |
| OPT-WS8     | 8"  | 5" | 12" | 1 Inlet |
| OPT-WS10    | 10" | 5" | 12" | 1 Inlet |
| OPT-WS12    | 12" | 5" | 12" | 1 Inlet |

Scupper Material: 316 Stainless Steel / Copper

|                     |                |
|---------------------|----------------|
| <b>Drawn By</b>     | Murguia M.     |
| <b>Date Created</b> | August 6, 2021 |