

# DYNASTY FIREPLACES

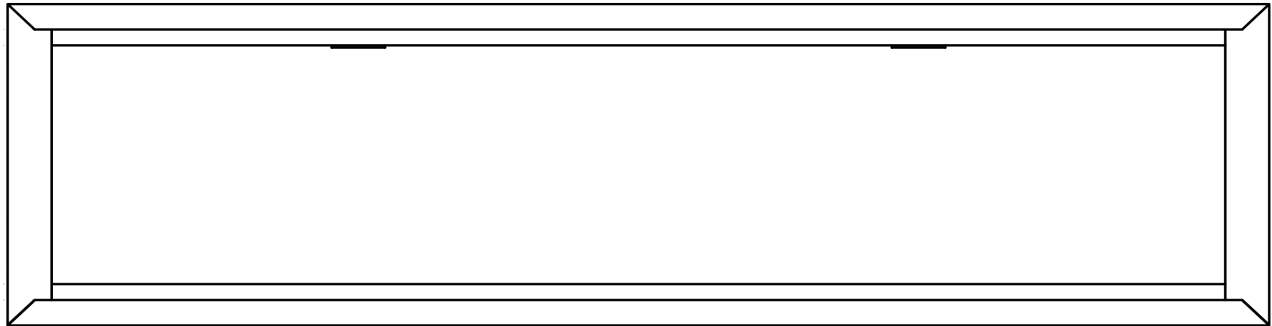
Allegro Series | Série Allegro

Linear smart electric fireplace • Cheminée électrique linéaire intelligente



## Installation Instructions & Operating Manual

## Manuel d'Installation & d'Utilisation



### Models / Modèles

DY-BFM58 / DY-BFM68 / DY-BFM76 / DY-BFM82

READ CAREFULLY BEFORE ATTEMPTING TO ASSEMBLE, INSTALL, OPERATE, OR MAINTAIN THIS PRODUCT.

PROTECT YOURSELF AND OTHERS BY OBSERVING ALL SAFETY INFORMATION. FAILURE TO COMPLY WITH INSTRUCTIONS COULD RESULT IN PERSONAL INJURY AND/OR PROPERTY DAMAGE.

LIRE ATTENTIVEMENT AVANT D'ESSAYER D'ASSEMBLER, D'INSTALLER, D'UTILISER, OU D'ENTREtenir CE PRODUIT.

PROTÉGEZ-VOUS ET VOTRE ENTOURAGE EN RESPECTANT LES CONSIGNES DE SÉCURITÉ. LE NON-RESPECT DE CES CONSIGNES POURRAIT CAUSER DES BLESSURES CORPORELLES ET / OU DES DOMMAGES MATÉRIELS.

**WARNING:** To reduce risk of fire, electrical shock, or personal injury, read and understand all instructions, including safety information before plugging in and operating.

**AVERTISSEMENT:** Pour réduire le risque d'incendie, de décharge électrique, ou de blessures corporelles, lisez et assurez-vous de comprendre toutes les instructions, y compris les consignes de sécurité, avant de brancher et d'utiliser cet appareil.



Electric fireplaces insert and free-standing electric fireplace heaters rated at 1500W / 5000 BTUs

PHONE: +1 877-521-1009 | support@dynastyfireplaces.com | dynastyfireplaces.com

For setup guides, full product specs, and warranty information, please visit us at:

[support.dynastyfireplaces.com](https://support.dynastyfireplaces.com)



Contact us:

[support@dynastyfireplaces.com](mailto:support@dynastyfireplaces.com)

1-877-521-1009

# SAFETY INFORMATION

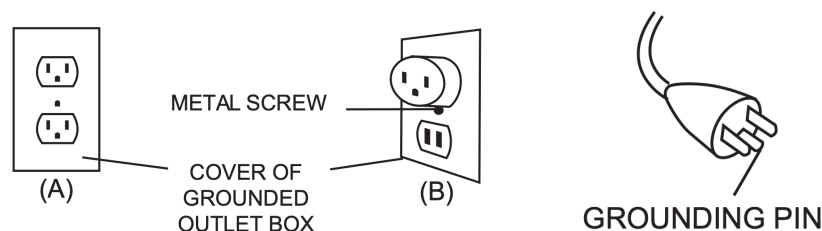
---

- **Read all instructions before using this heater!**
- This heater is **hot when in use**. To avoid burns, **DO NOT** let bare skin touch **hot** surfaces. If provided, use handles when moving this heater. Keep **combustible materials**, such as furniture, pillows, bedding, papers, clothes, and curtains at least **3 feet (0.9m)** from the **front of the heater** and **keep them away from the sides and rear**.
- **Extreme caution** is necessary when any heater is used by or near **children** or **invalids** and whenever the heater is left **operating and unattended**.
- **DO NOT** operate any heater with a **damaged cord or plug** or after the **heater malfunctions**, has been **dropped** or **damaged in any manner**. Discard heater or return to authorized service facility for examination and/or repair.
- **DO NOT** run **power cord** under carpeting. **DO NOT** cover power cord with throw rugs, runners, or similar coverings. **DO NOT** route power cord under furniture or appliances. Arrange power cord **away from traffic** area, and where it will not be tripped over.
- **DO NOT** insert or allow **foreign objects** to enter any **ventilation or exhaust opening**, as this may cause **electric shock** or **fire**, or **damage the heater**.
- To prevent a possible fire, **DO NOT** block air intakes or exhaust in any manner. Doing so could cause a **fire**. **DO NOT** use on soft surfaces, like a bed, where openings may become blocked.
- A heater has **hot and arcing or sparking parts inside**. **DO NOT** use it in areas where **gasoline, paint, or flammable liquids** are used or stored.
- **Use this heater only as described in this manual**. Any other use not recommended by the manufacturer may cause fire, electric shock, or injury to persons.
- **ALWAYS** plug heaters directly into a wall outlet/receptacle. **NEVER** use with an extension cord or relocatable power tap (outlet/power strip).
- **DO NOT** place the heater near a bed because objects such as pillows or blankets can fall off the bed and be ignited by the heater.
- **NEVER** use this heater in **bathrooms, laundry rooms**, or any other location where the heater could fall into a **bathtub** or **pool, become damp, or come in contact with water**.
- **AVOID FIRE!** Regularly inspect all air vents to make sure they are free from dust, lint, or other blockage. **Unplug the unit** and clean with a **vacuum ONLY**. **DO NOT** rinse or get wet.
- **NEVER** hang this unit on a wall **directly below an electrical outlet**.
- **NEVER** permanently install in a **recessed area of the wall**. This may result in **blocked air flow, overheating, or fire**.
- **ALWAYS** secure to wall framing before use.

# SAFETY INFORMATION

- **WARNING: REDUCE THE RISK OF FIRE OR ELECTRIC SHOCK---DO NOT USE THIS HEATER WITH ANY SOLID-STATE SPEED CONTROL DEVICES.**
- This product is **not intended** to be a **primary heat source**. It is for **supplemental heat only**.
- **INDOOR use only! NEVER use this heater outdoors!** Doing so may result in **electric shock!**
- **Risk of electric shock! DO NOT OPEN!** No user-serviceable parts inside!
- **NEVER modify this heater.** Doing so could result in personal **injury** or property **damage**. Modification of this fireplace **completely voids all warranties**.
- **ALWAYS** turn this heater off before unplugging it from the outlet.
- **ALWAYS disconnect** this unit from the **power** supply **before** performing any assembly or cleaning, or before relocating the electric fireplace.
- **NEVER** leave this heater unattended. **ALWAYS** unplug this heater when not in use.
- **ALWAYS** store this heater in a dry location. **NEVER** use the fireplace if it has become wet.
- **ONLY** use this heater on a **120V AC 15-Amp circuit**. **NEVER overload the circuit**. If this heater trips the circuit breaker, unplug all other appliances on the same circuit before the next use. Avoid plugging other appliances into the same circuit as this heater.
- **NEVER** plug this heater into an outlet that is **old, cracked**, or has any **loose wires or connections**. Plugging this heater into a faulty outlet could result in **electric arcing** within the outlet that could cause the **outlet to overheat or catch fire**.
- **ALWAYS** check your heater cord and plug connections with **each use!**
  1. **MAKE SURE** the plug fits tight in the outlet! Faulty wall outlet connections or loose plugs can cause the outlet to overheat.
  2. **Heaters draw more current** than small appliances. **Overheating** may occur even if it has not occurred with the use of other appliances.
  3. During use **check frequently** to see if the **plug outlet or faceplate** is **HOT!** If the outlet or faceplate is **HOT, discontinue use immediately** and have a qualified electrician inspect and/or replace the faulty outlets.

This heater has a polarized plug (one blade is wider than the other). As a safety feature to reduce the risk of electrical shock, this plug is intended to fit in a polarized outlet only one way. If the plug does not fit fully in the outlet, reverse the plug. If it still does not fit, contact a qualified electrician. Do not attempt to defeat this safety feature.



## FCC Statement:

This device complies with part 15 of the FCC Rules. Operation is subject to the following two conditions: (1) This device may not cause harmful interference, and (2) this device must accept any interference received, including interference that may cause undesired operation.

### **FCC warning:**

Any Changes or modifications not expressly approved by the party responsible for compliance could void the user's authority to operate the equipment.

Note: This equipment has been tested and found to comply with the limits for a Class B digital device, pursuant to part 15 of the FCC Rules. These limits are designed to provide reasonable protection against harmful interference in a residential installation. This equipment generates uses and can radiate radio frequency energy and, if not installed and used in accordance with the instructions, may cause harmful interference to radio communications. However, there is no guarantee that interference will not occur in a particular installation. If this equipment does cause harmful interference to radio or television reception, which can be determined by turning the equipment off and on, the user is encouraged to try to correct the interference by one or more of the following measures:

- Reorient or relocate the receiving antenna.
- Increase the separation between the equipment and receiver.
- Connect the equipment into an outlet on a circuit different from that to which the receiver is connected.
- Consult the dealer or an experienced radio/TV technician for help.

## IC Statement:

This device complies with Industry Canada license-exempt RSS standard(s).

Operation is subject to the following two conditions:

- (1) This device may not cause interference, and
- (2) This device must accept any interference, including interference that may cause undesired operation of the device.

This equipment complies with IC RSS-102 radiation exposure limits set forth for an uncontrolled environment. This equipment should be installed and operated with minimum distance 20cm between the radiator & your body.

# 1. GENERAL SPECIFICATIONS

## ELECTRICAL SPECIFICATIONS (all models)

INPUT VOLTAGE	120V AC, 60 Hz
CABLE LENGTH	72", 2.0m
MAX. POWER CONSUMPTION	1500W
HEAT OUTPUT	1500W Nominal
	1500W Max.
	750W Min.

## FLAME ONLY OPERATION

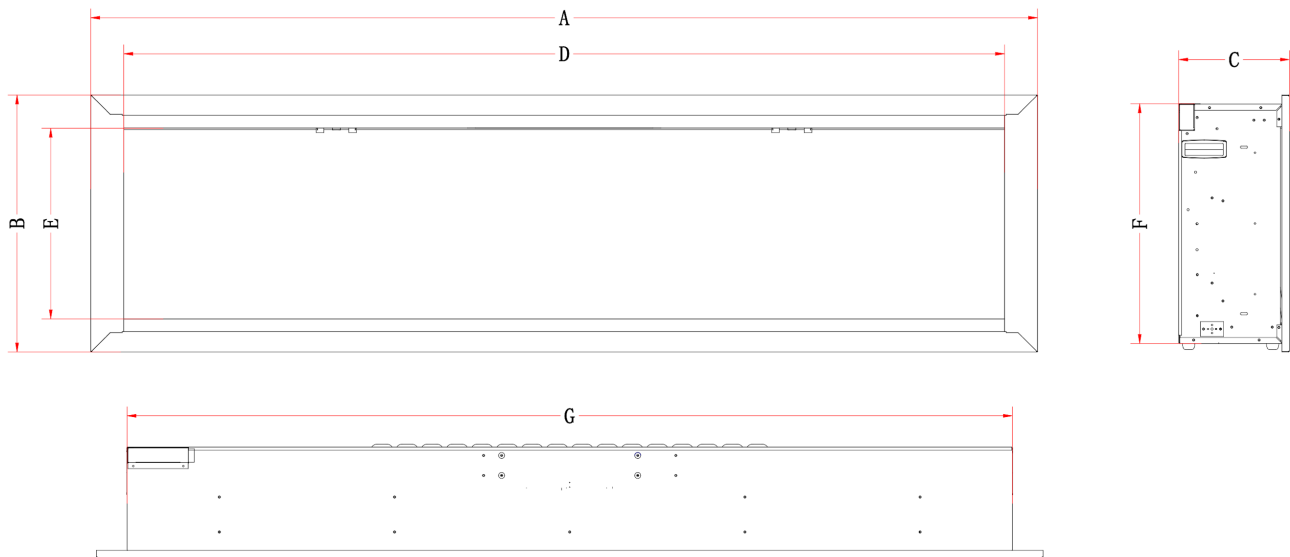
DY-BFM58	DY-BFM68
25 W	32 W

DY-BFM76	DY-BFM82
41 W	46 W

## WiFi OPERATION




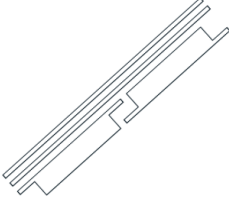

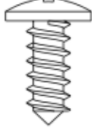



- Controlled via Dynasty app
- Connect on 2.4 GHz network only WiFi 802.11 b/n/g

## 1.1 PRODUCT DIMENSIONS



Model	A	B	C	D	E	F	G
DY-BFM58	1486 mm	514 mm	221 mm	1353 mm	381 mm	480 mm	1362 mm
	58 ½ in.	20 ¼ in.	8 ¾ in.	53 ¼ in.	15 in.	18 ⅞ in.	53 ⅝ in.
DY-BFM68	1740 mm	514 mm	221 mm	1607 mm	381 mm	480 mm	1616 mm
	68 ½ in.	20 ¼ in.	8 ¾ in.	63 ¼ in.	15 in.	18 ⅞ in.	63 ⅝ in.
DY-BFM76	1943 mm	514 mm	221 mm	1810 mm	381 mm	480 mm	1819 mm
	76 ½ in.	20 ¼ in.	8 ¾ in.	71 ¼ in.	15 in.	18 ⅞ in.	71 ⅝ in.
DY-BFM82	2096 mm	514 mm	221 mm	1962 mm	381 mm	480 mm	1972 mm
	82 ½ in.	20 ¼ in.	8 ¾ in.	77 ¼ in.	15 in.	18 ⅞ in.	77 ⅝ in.

# 1.2 PACKAGE CONTENTS

CONTENT IN PACKAGING		
 <p>(A) FIREPLACE x 1</p>	 <p>(B) TRIM #1 x 1</p>	 <p>(C) TRIM #2 x 1</p>
 <p>(D) EDGE STRIPS x 4</p>	 <p>(E) REMOTE x 1 &amp; AAA BATTERY x 2</p>	 <p>(F) ST4X12 METAL SCREWS x 4</p>
 <p>(G) CRYSTAL STONES SET</p> <p>Small crystals included for all models</p> <p>Large Crystals x 20 pcs for all models</p>	 <p>(H) FAUX LOG SET</p> <p>DY-BFM58 x 5 DY-BFM68 x 5 DY-BFM76 x 6 DY-BFM82 x 7</p>	 <p>(I) USER MANUAL x 1</p>

**PLEASE REMOVE ACCESSORIES AND MANUAL BEFORE DISCARDING PACKAGING**

For warranty, parts, or product support, please visit our site at:

**[support.dynastyfireplaces.com](http://support.dynastyfireplaces.com)**

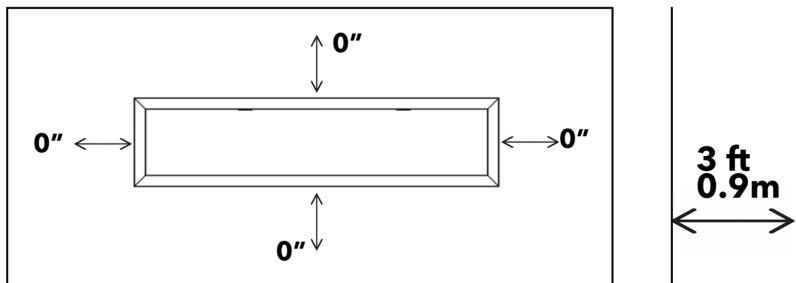
Contact us at: **[support@dynastyfireplaces.com](mailto:support@dynastyfireplaces.com)**

## 2. INSTALLATION

Your new electric fireplace may be installed virtually anywhere in your home. However, when choosing a location, ensure that the general instructions are followed. For best results, install out of direct sunlight. Power supply service must be either completed or placed within the electric fireplace prior to finish to avoid reconstruction.

### MINIMUM CLEARANCE TO COMBUSTIBLES

FRONT	BACK	SIDES	TOP	BOTTOM
36" / 0.9m	0"	0"	0"	0"

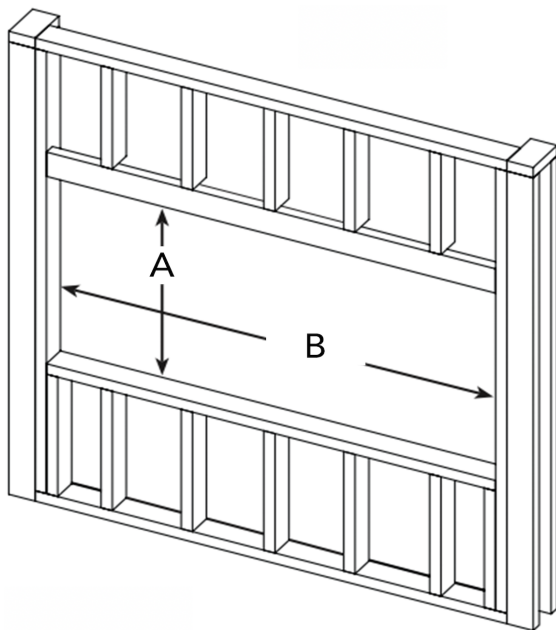


**WARNING!** Keep drapery and other furnishings at least 3ft /0.9m from the front of the electric fireplace.

## 2.1 FRAMING DIMENSIONS

**Note:** Ensure that you leave adequate room to remove and replace the front screen or optional front.

### Framing Dimensions



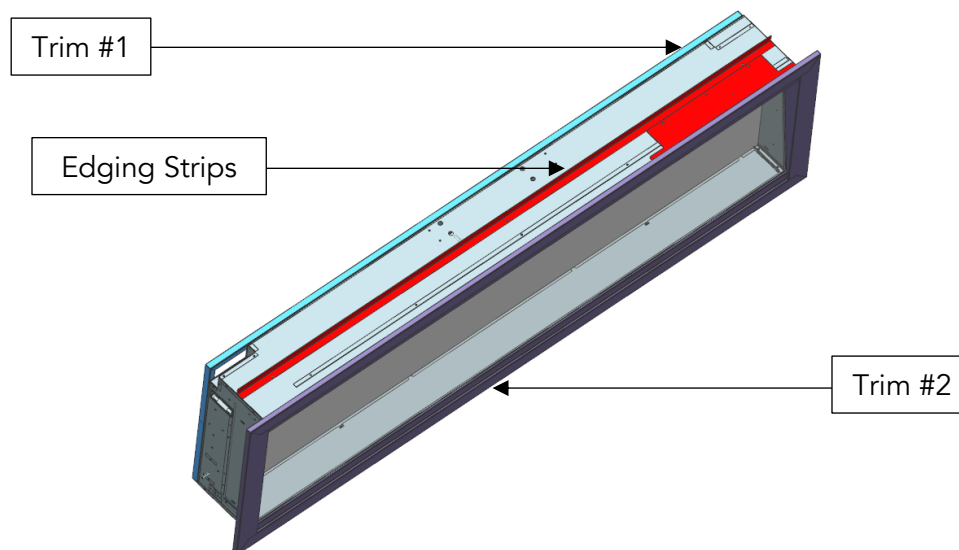
Model	B	A	Depth
DY-BFM58	1369 mm	486 mm	203 mm
	53 7/8 in.	19 1/8 in.	8 in.
DY-BFM68	1623 mm	486 mm	203 mm
	63 7/8 in.	19 1/8 in.	8 in.
DY-BFM76	1826 mm	486 mm	203 mm
	71 7/8 in.	19 1/8 in.	8 in.
DY-BFM82	1978 mm	486 mm	203 mm
	77 7/8 in.	19 1/8 in.	8 in.



## 2.2 PRE-INSTALLATION PREPARATION

### 2.2.1 REMOVE FROM PACKAGING

After removing the fireplace from the packaging, remove the two trim pieces and edging strips as indicated in the figure below. Set aside these parts for later use.



The fireplace can be installed in 2 different configurations. The intended configuration should be considered before installation:

#### 1) Flush-mount configuration

The fireplace will be installed flush to the finished wall. Trim #2 will be utilized and will be placed on top of the finishing.

#### 2) Built-in configuration

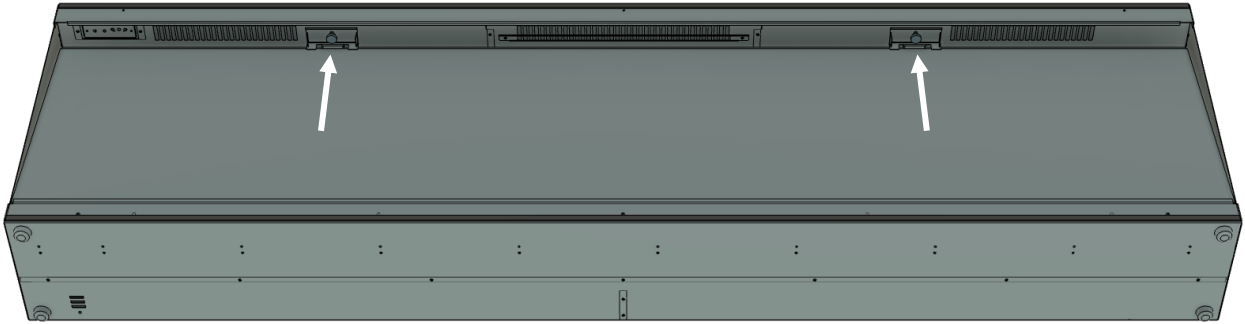
The fireplace will be installed recessed into the wall, allowing finishing materials to be placed right to the edge of the fireplace. Trim #1 and edging strips will be utilized.

**NOTE:** Power on the fireplace and test for functionality before installation into the wall opening.

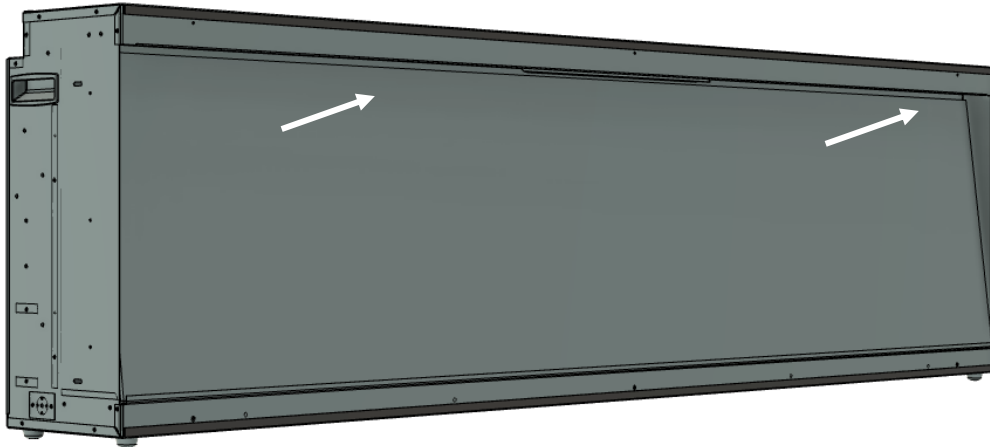
**NOTE:** There are four rubber feet on the bottom of the fireplace that can be removed before installation

## 2.2.2 REMOVING THE FRONT GLASS

- 1) With the trim removed, located the two bolts underneath the top trim, loosen the two bolts and remove the two hinge plates.

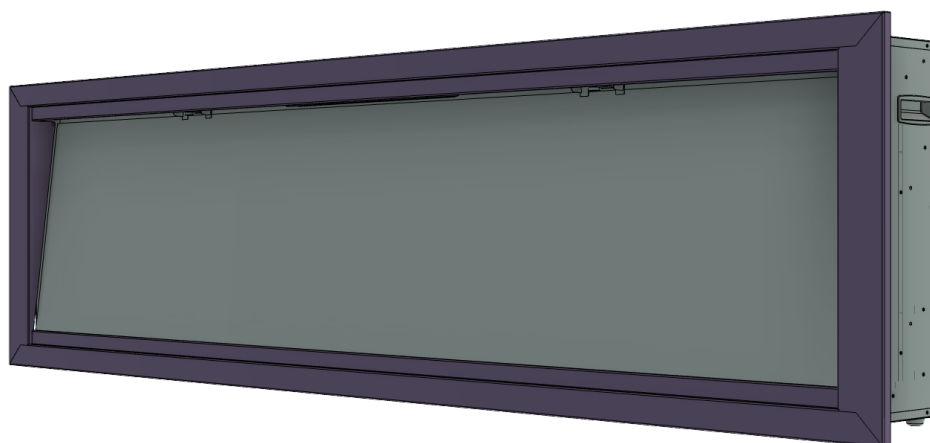
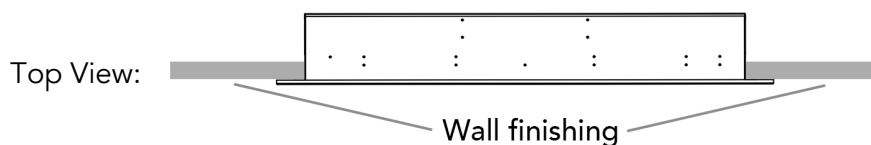


- 2) Tip glass forward from the fireplace. Safely set aside glass for later.

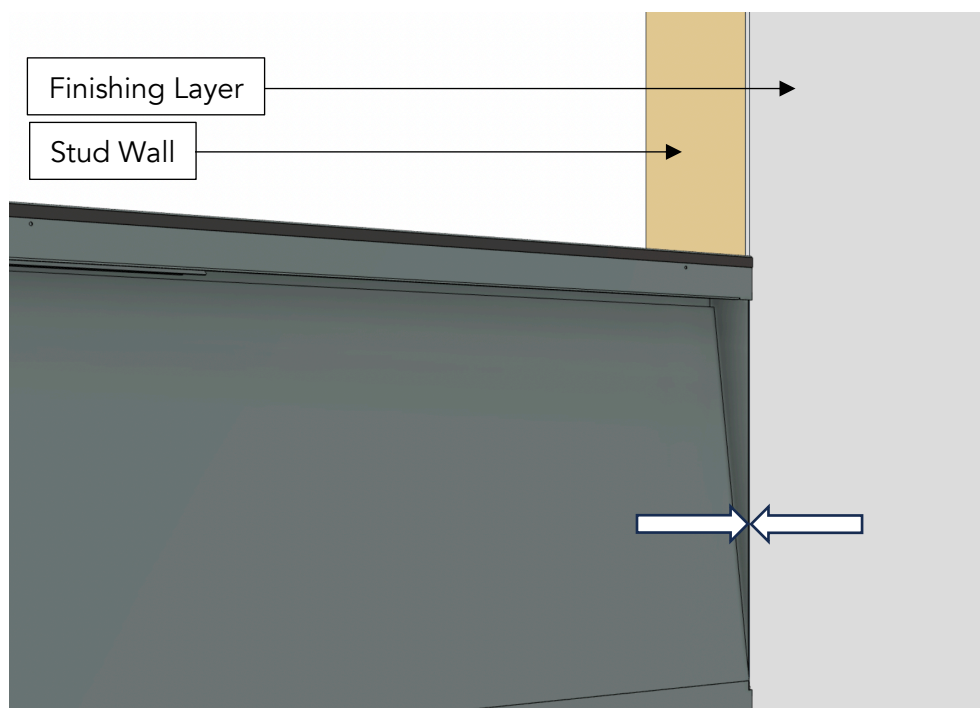


## 2.3 INSTALLATION PROCEDURE – FLUSH MOUNT

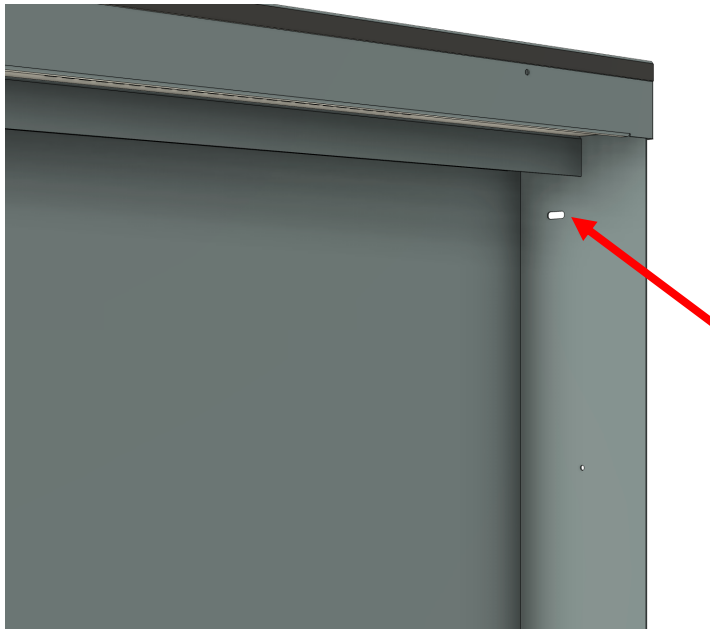
1. The flush-mount installation method will have the front face of the fireplace parallel to the face of the wall. **Build frame according to framing dimensions** on previous page and **ensure a power source is available**.



2. It is recommended to install the fireplace after finishing the wall to ensure the unit sits flush with the wall finishing.
3. After finishing the wall, place the fireplace unit into the wall opening. Ensure the thin metal edge on both sides of the fireplace is flush with the finishing layer.



4. Locate the oval shaped opening on both sides of the fireplaces, underneath the top trim. From the inside of the panel, secure the screw through the oval to the wall studs.

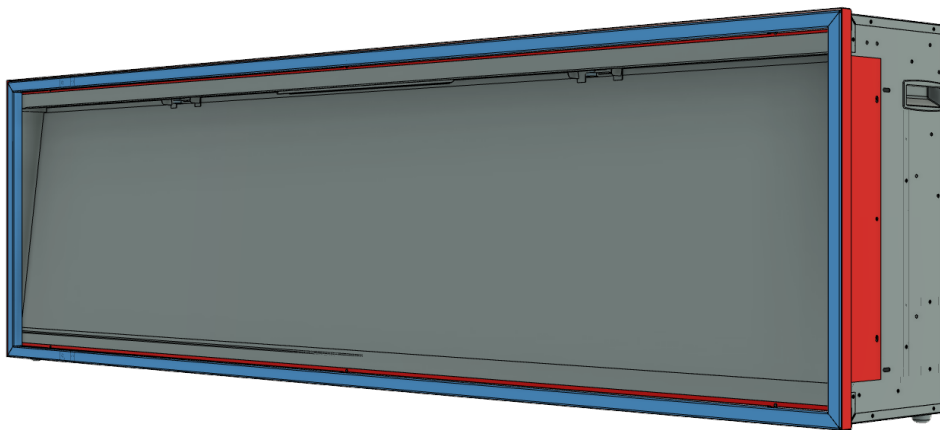


5. Place fireplace media onto flame bed and place glass back on.
6. Put trim piece onto fireplace and check for fit.

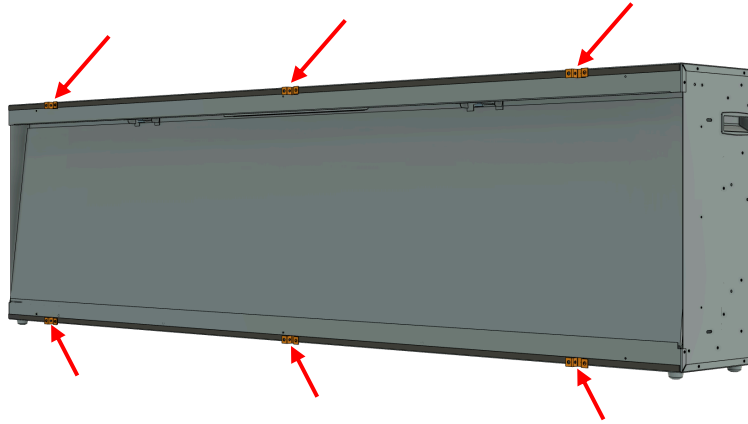
## 2.4 INSTALLATION PROCEDURE – BUILT-IN

**NOTE: There are four rubber feet on the bottom of the fireplace that can be removed before installation**

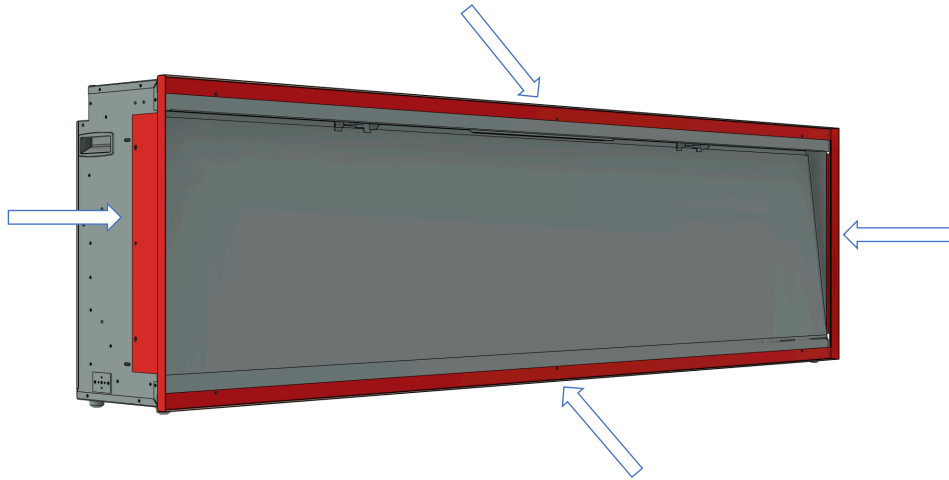
1. The built-in installation method will allow for a deeper recessed installation made to accommodate thicker finishing material and offer more design variations. **Build frame according to framing dimensions** on previous page and **ensure a power source is available.**



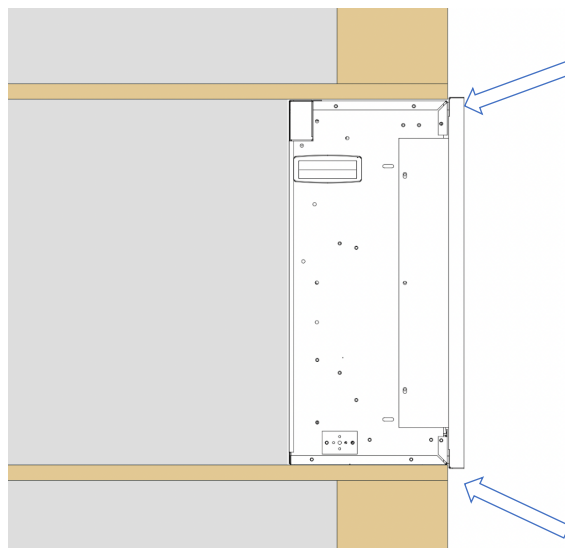
2. With the trim taken off, remove the magnetic clips along the top and bottom of the fireplace.



3. Install the edging strips onto each both sides, top, and bottom using the screws provided.

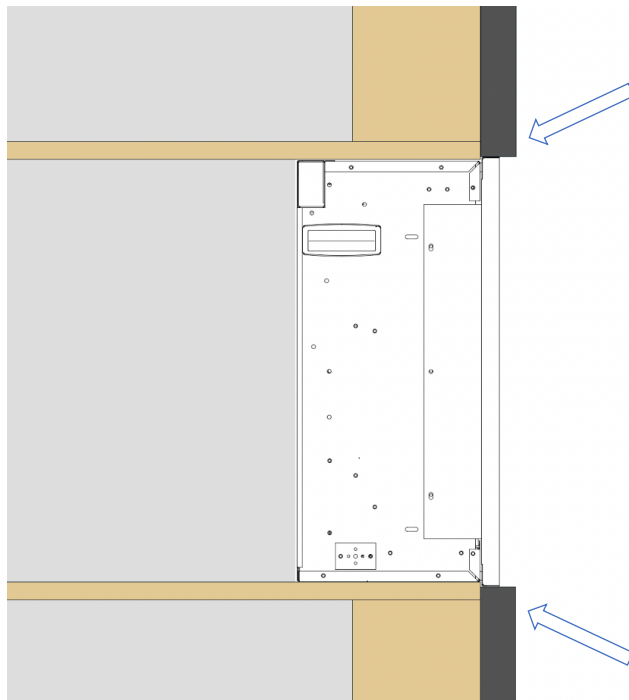


4. Place the mantel into the opening, and ensure the trim portion sits outside of the framing.

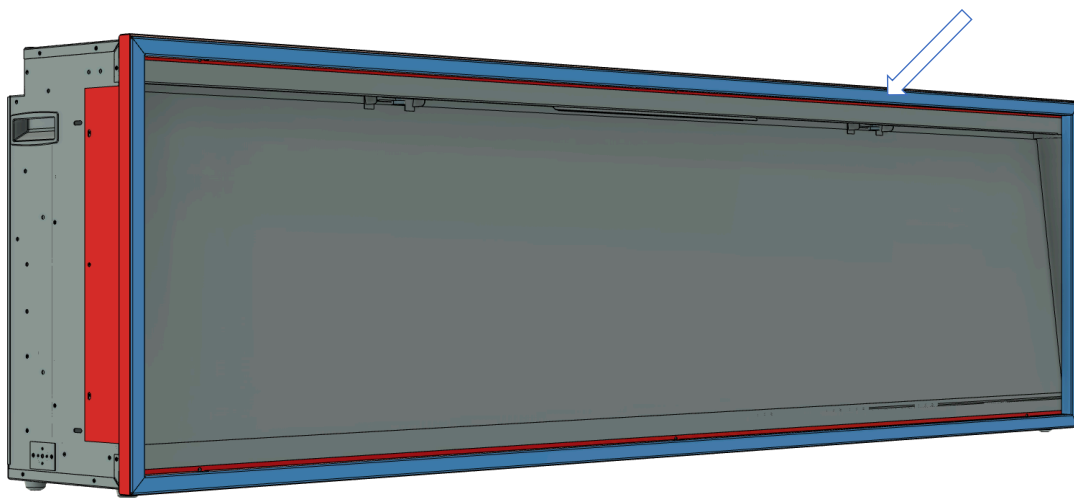


5. Apply finishing materials around the trim portion.

NOTE: The finishing material may overlap the trim portion if too thick.



6. Install Trim #1 onto the fireplace.



## 2.5 PLACING MEDIA ON FLAME BED

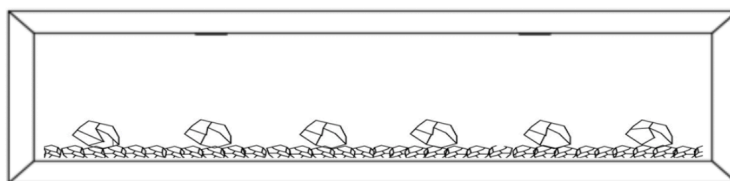
The following number of faux wood and large crystal stones are supplied with each model:

Model	Logs	Crystals
DY-BFM58	5	20
DY-BFM68	5	20
DY-BFM76	6	20
DY-BFM82	7	20

### **CRYSTAL MEDIA:**

Carefully spread the small crystal stones across the fuel bed.

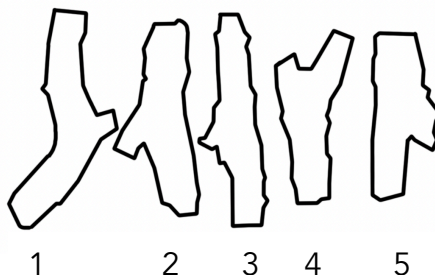
To maximize crystal spread, evenly arrange the larger crystal stones starting about 2 inches away from the inset window ledge at the front of the firebox.



### **FAUX LOGS MEDIA:**

Carefully spread the small clear and semi-painted crystal stones across the fuel bed.

Arrange the logs and place the small semi-painted and clear crystal stones in between the log layout.



NOTE: DY-BFM76 gets 1 extra log #5, DY-BFM82 gets 2 extra log #5

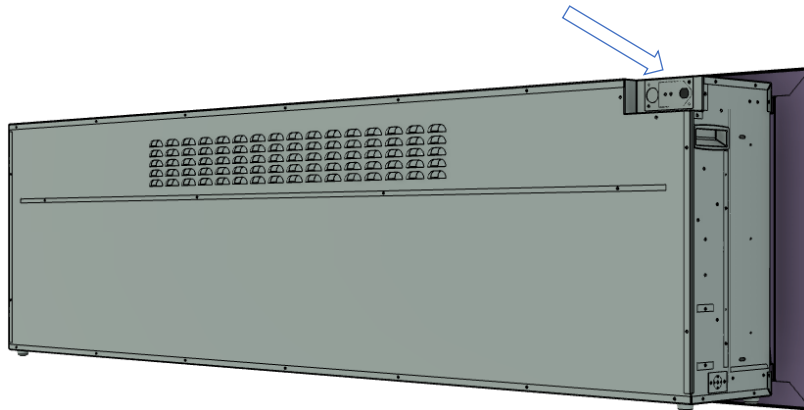
## 2.6 POWER OPTIONS

### 2.6.1 Plug-in

You may run the power cord out of the framed wall opening to an existing outlet or install an outlet on a nearby wall stud within the wall). If the cord is not long enough to reach the outlet, a grounded extension cord minimum AWG No. 14 wiring and rated to a minimum of 1875 watts may be used.

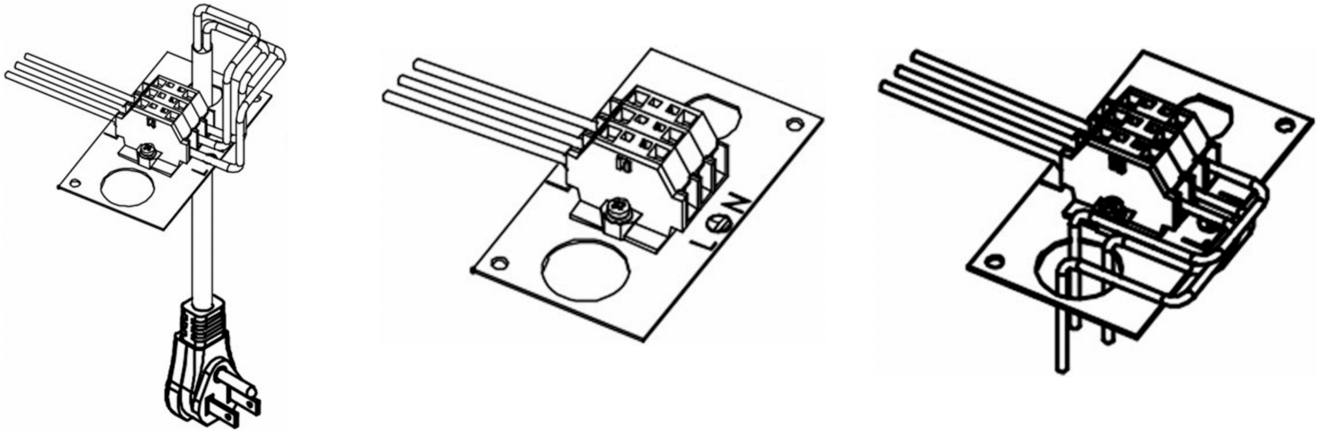
### 2.6.2 Hard-wire

A qualified electrician may remove the cord connection and wire the appliance directly to the house hold wiring. The appliance must be electrically connected and grounded in accordance with local codes. The knock-out box is located on the back right side of the fireplace.





1. Remove terminal block cover plate located on the right end of the appliance. Keep screws for reassembly.
2. Install a wire strain relief bushing into the cover plate.
3. Terminate type NM-B wire to the terminal block, ensure connections are secure, and tighten the strain relief. Use 3/32 slotted head screwdriver, or equivalent, to depress the spring-loaded terminals for the conductors.
4. Replace terminal block cover plate and retaining screws.



## 2.7 FIREPLACE REPAIR GUIDES

For full detailed instructions and step-by-step guides on how to repair and service the fireplace, including repair and replacement of parts such as LED lights, motor, heater, etc, please visit our support website at:

**[support.dynastyfireplaces.com](http://support.dynastyfireplaces.com)**

## 2.8 SERVICEABLE PARTS LIST

ITEM	DESCRIPTION	PART NUMBER*
1	IR Receiver	DY-BFM-RCV
2	Flame Motor	DY-BFM-MTR
3	Main Control Board	DY-BFM-PCB-XX
4	Remote	DY-BFM-RMT
5	Crystal Media	DY-BFM-CRY-XX
6	Log Media	DY-BFM-LOG-XX
7	Heater	DY-BFM-HTR
8	Flame Bed LED	DY-BFM-FBL-XX
9	Top Light LED	DY-BFM-TL-XX
10	Flame LED	DY-BFM-FLD-XX
11	Flicker Rod	DY-BFM-FKR-XX
12	Flame Screen	DY-BFM-FMS-XX
13	Front Trim	DY-BFM-TRM-XX
14	Front Glass	DY-BFM-FGL-XX

### **NOTE:**

\*PARTS WITH "XX" AT THE END DENOTES THE SKU OF THE FIREPLACE.  
FOR EXAMPLE – A DY-BFM68 WILL REPLACE THE "XX" WITH "68"

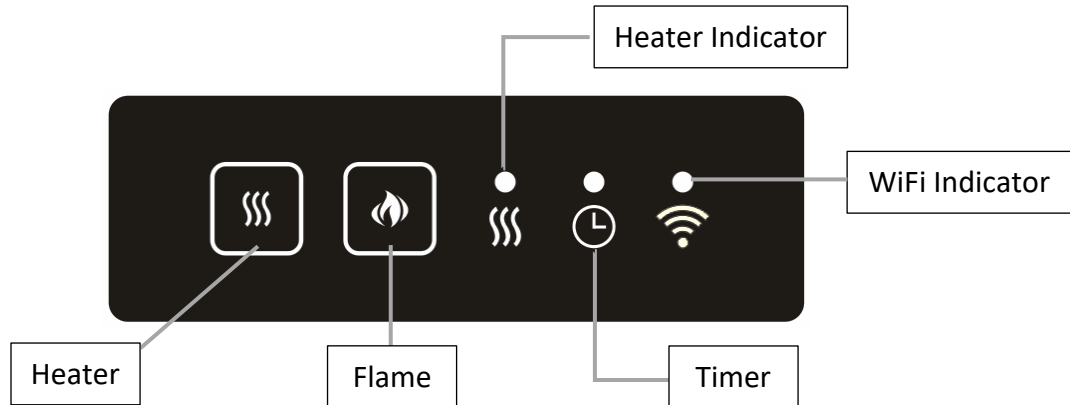
**For parts, please contact your dealer, distributor, or point of purchase and provide model number and serial number when requesting service parts**

## 3. OPERATION

This appliance can be operated by remote control, smartphone app, and onboard buttons, however onboard buttons have limited functions. A beep should be heard when the power is first applied.

### 3.1 ONBOARD BUTTONS

The onboard buttons are located under the trim on the top left.



Press the **Flame** button to turn on/off the flame LED and cycle through flame brightness levels High/Medium/Low.



Press the **Heater** button to turn on/off the heater and cycle through heat levels High/Low. Heat level is indicated by the **Heater Indicator** light.



**Red Indicator:** High heat

**Blue Indicator:** Low heat

**Indicator Off:** Heater off



**Indicator On:** Heater timer is set

### 3.2 WIFI CONFIGURATION



The Cascade series is controllable via Dynasty Fireplaces' own smartphone app for Android and iOS. Download the Dynasty app, and sign up for an account with your email, and connect your fireplace. To download the app, visit:

[dynastyfireplaces.com/download](https://dynastyfireplaces.com/download)

For more information on WiFi setup, and connecting to voice-assistants visit:  
[support.dynastyfireplaces.com](https://support.dynastyfireplaces.com)

## WIFI SETUP

**NOTE: WiFi control and operation of the fireplace can only be done after an account has been created, and the device has been linked to your account**

1. Download the Dynasty app, follow the onscreen instructions to create an account. Only an active email is required to create an account



2. With the fireplace in standby mode (flame and heater turned off, plugged into power), press and hold the heater button for 5 seconds until fireplace makes a beep sound



3. Ensure the WiFi Indicator is blinking, then return to the app to complete setup and link the fireplace to your account

For more information on WiFi setup, and connecting to voice-assistants visit:  
**[support.dynastyfireplaces.com](https://support.dynastyfireplaces.com)**

## 3.2 REMOTE CONTROL



BUTTON	MAIN FUNCTION	DESCRIPTION
	turn on/off fireplace	Press to turn the fireplace on or off. This button only turns on or off the flame and flame bed LEDs
<b>°C / °F</b>	toggle between Celsius and Fahrenheit	Press to change displayed temperature units between Celsius and Fahrenheit
	adjust heater and display temperature	Press the arrows to adjust preset temperature. °C Presets: 16-19-21-23-25-27-30 °F Presets: 61-66-70-73-77-80-86
	toggle on/off flames LED	Press to turn on or off the flames LEDs only
	toggle on/off the flame bed light	Press to cycle through different colours or turn on/off the flame bed LEDs only
	toggle on/off the top light	Press to cycle through different colours or turn on/off the top LEDs only
	adjust intensity of red, yellow, and white flames	Press each flame colour button to cycle through 3 different brightness levels and OFF <ul style="list-style-type: none"> <li>• R1, R2, R3 indicates the red intensities</li> <li>• Y1, Y2, Y3 indicates the yellow intensities</li> <li>• B1, B2, B3 indicates the white intensities</li> </ul>
	toggle heater high/low/on/off	<ul style="list-style-type: none"> <li>• High heat: press button until high heat indicator (  ) is displayed on the remote</li> <li>• Low heat: press button until low heat indicator (  ) is displayed on the remote</li> <li>• To turn off heater, press button until both high and low heat indicators are off on the remote display</li> </ul>
	set fireplace timer in hour-long increments	Press button to set the fireplace to turn off in: 30min-1h-2h-3h-4h-5h-6h-7h-8h-9h-00 LCD display indicates 30-1H-2H-3H-4H-5H-6H-7H-8H-9H-00
	save favourite flame lights settings	Press and hold for 3 seconds to save 1 setting of the flame LEDs

## 4. CLEANING & MAINTENANCE



**ALWAYS** turn the heater **OFF** and **unplug the power cord from the outlet** before cleaning, performing maintenance, or moving this fireplace. Failure to do so could result in **electric shock, fire, or personal injury**.

### Cleaning



**NEVER immerse in water or spray with water.** Doing so could result in **electric shock, fire, or personal injury**.

#### Metal:

- Buff using a soft cloth, slightly dampened with a mild cleaning solution if needed.
- **DO NOT** use brass polish or household cleaners as these products will damage the metal trim.

#### Glass:

- Use a good quality glass cleaner and dry thoroughly with a paper towel or lint-free cloth.
- **NEVER** use abrasive cleansers, liquid sprays, or any cleaner that could scratch the surface.

#### Plastic:

- Wipe gently with a slightly damp cloth and a mild cleaning solution and warm water.
- **NEVER** use abrasive cleansers, liquid sprays, or any cleaner that could scratch the surface.

#### Vents:

- Use a vacuum or duster to remove dust and dirt from the heater and vent areas.
- Clean the exterior of the fireplace with a slightly damp cloth or duster.

# Maintenance



**Risk of electric shock! DO NOT OPEN! No user-serviceable parts inside!**



**ALWAYS** turn the heater **OFF** and **unplug the power cord from the outlet** before cleaning, performing maintenance, or moving this fireplace. Failure to do so could result in **electric shock, fire, or personal injury**.

## Electrical and Moving Parts:

- The fan motors are lubricated at the factory and will not require lubrication.
- Electrical components are integrated in the fireplace and are not serviceable by the consumer.

## Storage:

- Store heater in a clean dry place when not in use.

## Replacement parts:

- Use only replacement parts supplied by Dynasty Fireplaces. Use of any other parts, or modifying the fireplace in any way, will void all warranties.
- If you've made a purchase through one of our retailers, contact them to order parts, or contact [support@dynastyfireplace.com](mailto:support@dynastyfireplace.com)

For full detailed instructions and step-by-step guides on how to repair and service the fireplace, including repair and replacement of internal parts such as LED lights, motor, heater, etc., please visit our support website at:

**[support.dynastyfireplace.com](https://support.dynastyfireplace.com)**

## 5. WARRANTY

This product is inspected, tested and carefully packaged to minimize the chance of damage during shipment. If a part within two years, or 24 months from the date of purchase proves to be defective in material or fabrication under normal use, the part will be repaired or replaced. Dynasty Fireplaces' obligation under the warranty is to replace or repair defective parts at our discretion. Any expenses or damage resulting from the installation, removal, or transportation of the product will be the responsibility of the owner and are not covered by this warranty. The owner assumes all other risks arising from the use or misuse of the product. The warranty will be void if the product damage or failure is deemed by Dynasty to be caused by accident, alteration, misuse, abuse, incorrect installation or removal, or connection to an incorrect power source by the owner. Dynasty Fireplaces neither assumes, nor authorizes and person or entity to assume for it any obligation or liability associated with its products.



### CALIFORNIA PROPOSITION 65 WARNING

**WARNING: This product can expose you to chemicals including Carbon Black, which is known to the State of California to cause cancer, and Bisphenol A (BPA), which is known to the State of California to cause birth defects or other reproductive harm.**

**For more information go to:**

**[www.P65Warnings.ca.gov](http://www.P65Warnings.ca.gov)**



## Dynasty Fireplaces

Toll free: 1-877-521-1009

Website: [dynastyfireplaces.com](http://dynastyfireplaces.com)

Support: [support@dynastyfireplaces.com](mailto:support@dynastyfireplaces.com)

Support Site: [support.dynastyfireplaces.com](http://support.dynastyfireplaces.com)



Pour obtenir des guides d'installation, les spécifications complètes du produit et des informations sur la garantie, veuillez-vous rendre à l'adresse suivante :

[support.dynastyfireplaces.com](https://support.dynastyfireplaces.com)



Pour nous contacter :

[support@dynastyfireplaces.com](mailto:support@dynastyfireplaces.com)

1-877-521-1009

# CONSIGNES DE SÉCURITÉ

---

- **Lire toutes les instructions avant d'utiliser cet appareil de chauffage !**
- Cet appareil est **chaud lorsqu'il est en marche**. Pour éviter tout risque de brûlure, **NE PAS** toucher les surfaces **chaudes**. Si elles sont fournies, utiliser les poignées pour déplacer l'appareil. Éloigner les **matériaux combustibles**, tels que les meubles, les coussins, la literie, les papiers, les vêtements et les rideaux à au moins **0,9 m (3 pieds)** du **devant, des côtés et de l'arrière de l'appareil**.
- **Faire très attention** lorsque l'appareil est utilisé par ou à proximité d'**enfants** ou de personnes **vulnérables**, ainsi que lorsqu'il **fonctionne sans surveillance**.
- **NE PAS** utiliser l'appareil si son **cordon ou sa fiche a été endommagé(e)** ou après un **dysfonctionnement**, une **chute** ou un **dommage quelconque de l'appareil**. Mettre l'appareil au rebut ou le retourner à un réparateur agréé pour examen et/ou réparation.
- **NE PAS** faire passer le **cordon d'alimentation** sous un tapis ou une moquette. **NE PAS** recouvrir le cordon d'alimentation avec des tapis, des moquettes ou d'autres revêtements similaires. **NE PAS** faire passer le cordon d'alimentation sous des meubles ou des appareils électroménagers. Placer le cordon d'alimentation à **l'écart des zones de passage** et à un endroit exempt de risque de trébuchement.
- **Ne PAS insérer ou laisser des corps étrangers pénétrer dans les ouvertures d'aération ou de ventilation**, au risque de provoquer un **choc électrique, un incendie, ou d'endommager l'appareil**.
- Pour éviter tout risque d'incendie, **NE PAS obstruer** les entrées / sorties d'air de l'appareil de quelque manière que ce soit. Cela pourrait provoquer un **incendie**. **NE PAS** utiliser sur des surfaces molles, telles qu'un lit, où les ouvertures pourraient être obstruées.
- Un chauffage contient des **pièces chaudes, générant des arcs électriques ou produisant des étincelles**. **NE PAS** utiliser dans des endroits où de **l'essence, de la peinture ou des liquides inflammables** sont utilisés ou stockés.
- **Utiliser cet appareil uniquement tel que décrit dans ce manuel**. Toute autre utilisation non recommandée par le fabricant peut provoquer un incendie, un choc électrique ou des blessures.
- **TOUJOURS** brancher l'appareil directement sur une prise murale. **Ne JAMAIS** utiliser avec une rallonge électrique ou une prise de courant amovible (prise/multiprise).
- **NE PAS** placer le chauffage près d'un lit car des objets tels que des coussins ou des couvertures pourraient tomber du lit et prendre feu au contact de l'appareil.
- **NE JAMAIS** utiliser cet appareil dans une **salle de bains, une buanderie** ou tout autre endroit où l'appareil pourrait tomber dans une **baaignoire** ou une **piscine, devenir humide** ou entrer en **contact avec de l'eau**.
- **ÉVITER LES RISQUES D'INCENDIE !** Inspecter régulièrement tous les espaces d'aération pour vous assurer qu'ils sont exempts de poussière, de peluches ou de toute autre obstruction. **Débrancher l'appareil** et le nettoyer **UNIQUEMENT** avec un **aspirateur**. **NE PAS** rincer ou mouiller.
- **NE JAMAIS** accrocher cet appareil à un mur **situé directement sous une prise électrique**.
- **NE JAMAIS** installer dans une **zone encastrée du mur de manière permanente**. Cela pourrait bloquer la circulation d'air, provoquer une **surchauffe** ou un **incendie**.
- **TOUJOURS** fixer l'appareil sur le support mural avant utilisation.

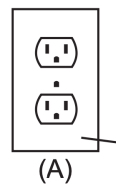
# CONSIGNES DE SÉCURITÉ

---

- **ATTENTION : POUR ÉVITER LES RISQUES D'INCENDIE OU DE CHOC ÉLECTRIQUE, NE PAS UTILISER CE CHAUFFAGE AVEC DES DISPOSITIFS DE CONTRÔLE DE VITESSE À SEMI-CONDUCTEURS.**
- Ce produit n'est pas conçu pour être la principale source de chauffage. Il sert uniquement de chauffage d'appoint.
- **Usage en intérieur uniquement ! NE JAMAIS** utiliser ce chauffage à l'extérieur ! Cela pourrait provoquer un **choc électrique !**
- **Risque de choc électrique ! NE PAS OUVRIR !** Ne contient aucune pièce réparable par l'utilisateur !
- **NE JAMAIS modifier ce chauffage.** Cela pourrait entraîner des **blessures** corporelles ou des **dommages** matériels. Toute intervention de l'utilisateur sur ce foyer **annule complètement toutes les garanties.**
- Veillez à **TOUJOURS** éteindre l'appareil avant de le débrancher de la prise murale.
- Veillez à **TOUJOURS débrancher** l'appareil de l'**alimentation électrique** avant de procéder à un assemblage ou à un nettoyage, ou avant de le déplacer.
- **NE JAMAIS** laisser ce chauffage sans surveillance. **TOUJOURS** débrancher l'appareil lorsqu'il n'est pas en marche.
- **TOUJOURS** placer ou ranger ce chauffage dans un endroit sec. **NE JAMAIS** utiliser l'appareil s'il a été mouillé.
- Utiliser **UNIQUEMENT** ce chauffage sur un **circuit de 120V AC 15-Amp.** **NE JAMAIS surcharger le circuit.** Si l'appareil déclenche le disjoncteur, débrancher tous les autres appareils branchés sur le même circuit avant la prochaine utilisation. Éviter de brancher d'autres appareils que ce chauffage sur le même circuit.
- **NE JAMAIS** brancher cet appareil sur une prise de courant **usagée, fissurée** ou dont les **câbles ou les connexions sont desserrés.** En branchant cet appareil sur une prise défectueuse, vous risqueriez de provoquer des **arcs électriques** dans la prise, susceptibles de la **surchauffer** ou de **s'enflammer.**
- Vérifiez **TOUJOURS** le cordon et les fiches de raccordement de votre appareil à **chaque utilisation !**
  4. **ASSUREZ-VOUS** que la fiche est bien insérée dans la prise ! Des connexions de prise murale défectueuses ou des fiches lâches peuvent entraîner une surchauffe de la prise.
  5. **Les appareils de chauffage consomment plus d'électricité** que les petits appareils. Une **surchauffe** peut survenir même si cela n'est pas arrivé avec l'utilisation d'autres appareils.
  6. Pendant l'utilisation, **vérifiez régulièrement** si la **prise de courant ou la façade** est **CHAUDE !** Si la prise ou la façade est **CHAUDE, cessez immédiatement**

**d'utiliser l'appareil** et faites appel à un électricien qualifié pour inspecter et/ou remplacer les prises défectueuses.

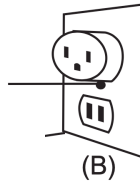
Ce chauffage est équipé d'une fiche polarisée (une lame est plus large que l'autre). En tant que dispositif de sécurité visant à réduire le risque de choc électrique, cette fiche est conçue pour être insérée uniquement dans une prise polarisée. Si la fiche ne s'insère pas correctement dans la prise, essayez dans l'autre sens. Si le problème persiste, contactez un électricien qualifié. Ne tentez pas de neutraliser ce dispositif de sécurité.



(A)

VIS MÉTALLIQUE

COUVERCLE  
DE LA PRISE DE  
COURANT À CONTACT  
DE MISE À LA TERRE



(B)



GROUNDING PIN  
BROCHE DE MISE À LA TERRE

# Déclaration de la FCC :

Cet appareil est conforme à la partie 15 du règlement de la FCC (Commission Fédérale des Communications). Son fonctionnement est soumis aux deux conditions suivantes : (1) cet appareil ne doit pas causer d'interférences nuisibles, et (2) cet appareil doit accepter toute interférence reçue, y compris les interférences susceptibles de provoquer un fonctionnement indésirable.

## **Avertissement de la FCC :**

Tout changement ou modification non expressément approuvé par la partie responsable de la conformité peut annuler le droit de l'utilisateur à faire fonctionner l'équipement.

Remarque : cet appareil a été testé et déclaré conforme aux limites imposées aux appareils numériques de classe B, conformément à la partie 15 du règlement de la FCC. Ces limites sont établies en vue de fournir une protection raisonnable contre les interférences nuisibles dans une installation résidentielle. Cet appareil génère, utilise, et peut émettre de l'énergie radiofréquence et, s'il n'est pas installé et utilisé conformément aux instructions, peut causer des interférences nuisibles aux communications radio. Ainsi, il n'y a aucune garantie que des interférences ne se produiront pas dans une installation particulière. Si cet appareil provoque des interférences nuisibles à la réception de la radio ou de la télévision, ce qui peut être déterminé en éteignant et en allumant l'appareil, l'utilisateur peut tenter d'y remédier en prenant une ou plusieurs des mesures suivantes :

- Réorienter ou déplacer l'antenne de réception.
- Augmenter la distance entre l'appareil et le récepteur.
- Brancher l'appareil sur une prise de courant d'un circuit différent de celui sur lequel le récepteur est branché.
- Faire appel au revendeur ou à un technicien radio/TV expérimenté pour obtenir de l'aide.

# Déclaration d'ISDE :

Cet appareil est conforme aux normes CNR d'ISDE (Innovation, Sciences et Développement Économique Canada) en ce qui concerne les appareils exempts de licence.

Son fonctionnement est soumis aux deux conditions suivantes :

- (1) Cet appareil ne doit pas provoquer d'interférences, et
- (2) Cet appareil doit accepter toute interférence, y compris les interférences susceptibles d'entraîner un fonctionnement indésirable de l'appareil.

Cet appareil est conforme aux limites d'exposition aux radiations CNR-102 d'ISDE, établies pour un environnement non contrôlé. Il doit être installé et utilisé avec une distance minimale de 20 cm entre le radiateur et votre corps.

# 1. CARACTÉRISTIQUES GÉNÉRALES

## SPÉCIFICATIONS ÉLECTRIQUES (tous modèles)

TENSION D'ENTRÉE	120 V CA, 60 Hz
LONGUEUR DU CÂBLE	72", 2.0m
CONSOMMATION PUISSANCE MAX.	1500 W
CHALEUR DÉGAGÉE	1500 W Nominal
	1500 W Max.
	750 W Mpo.

## CONSOMMATION MODE FLAMME

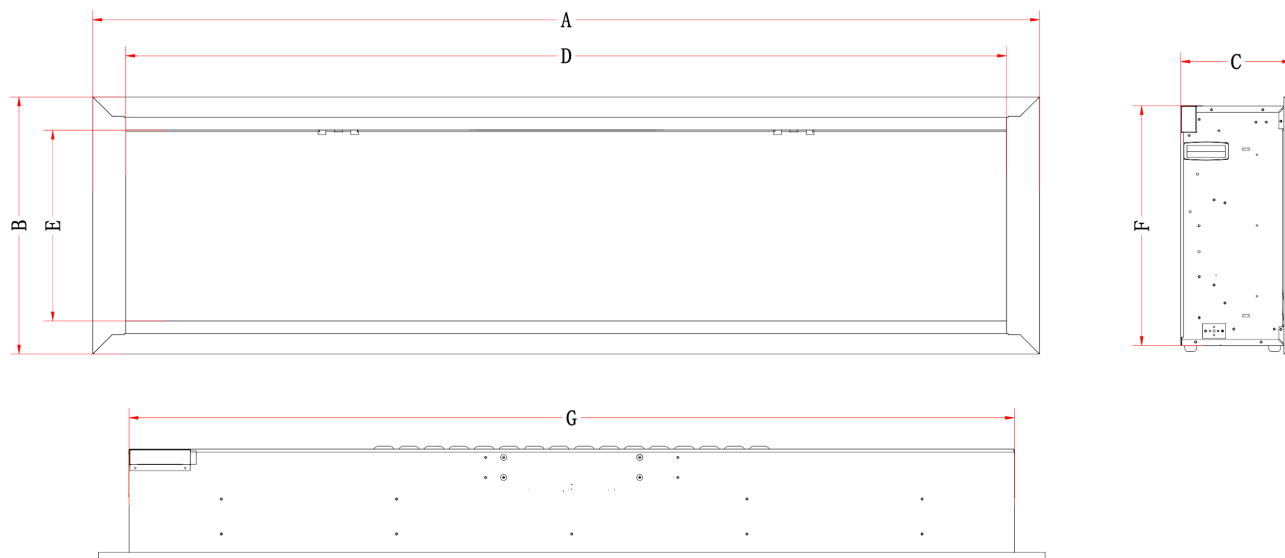
DY-BFM58	DY-BFM68
25 W	32 W

DY-BFM76	DY-BFM82
41 W	46 W

## FONCTIONNEMENT DU WIFI

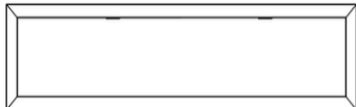


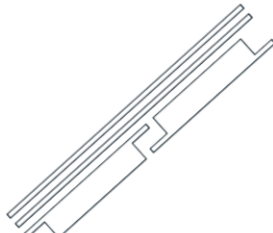
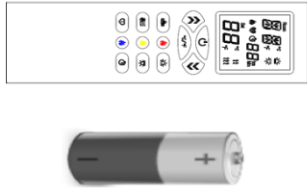
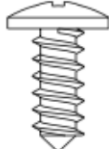



- Contrôlé via l'application Dynasty
- Connexion au réseau 2,4 GHz uniquement WiFi 802.11 b/n/g

## 1.1 DIMENSIONS DU PRODUIT



Modèle	A	B	C	D	E	F	G
DY-BFM58	1486 mm	514 mm	221 mm	1353 mm	381 mm	480 mm	1362 mm
	52 ½ po.	20 ¼ po.	8 ¾ po.	53 ¼ po.	15 po.	18 ⅞ po.	53 ⅝ po.
DY-BFM68	1740 mm	514 mm	221 mm	1607 mm	381 mm	480 mm	1616 mm
	68 ½ po.	20 ¼ po.	8 ¾ po.	63 ¼ po.	15 po.	18 ⅞ po.	63 ⅝ po.
DY-BFM76	1943 mm	514 mm	221 mm	1810 mm	381 mm	480 mm	1819 mm
	76 ½ po.	20 ¼ po.	8 ¾ po.	71 ¼ po.	15 po.	18 ⅞ po.	71 ⅝ po.
DY-BFM82	2096 mm	514 mm	221 mm	1962 mm	381 mm	480 mm	1972 mm
	82 ½ po.	20 ¼ po.	8 ¾ po.	77 ¼ po.	15 po.	18 ⅞ po.	77 ⅝ po.

## 1.2 CONTENU DE L'EMBALLAGE

CONTENU DE L'EMBALLAGE		
 <p>(A) CHAUFFAGE x1</p>	 <p>(B) ORNEMENT #1 x1</p>	 <p>(C) ORNEMENT #2 x1</p>
 <p>(D) BANDES DE CHANT x4</p>	 <p>(E) Télécommande x1 &amp; PILES AAA x2</p>	 <p>(F) VIS MÉTALLIQUES ST4X12 x4</p>
 <p>(G) JEU DE PIERRES DE CRISTAL</p> <p>Petits cristaux : inclus sur tous les modèles</p> <p>Grands cristaux : x20 pièces sur tous les modèles</p>	 <p>(H) JEU DE BÛCHES DY-BFM58 x5 DY-BFM68 x5 DY-BFM76 x6 DY-BFM82 x7</p>	 <p>(I) MANUEL UTILISATEUR x1</p>

### VEUILLEZ RETIRER LES ACCESSOIRES ET LE MANUEL AVANT DE JETER L'EMBALLAGE

Pour toute question liée à la garantie, aux pièces détachées, ou à l'assistance sur les produits, veuillez consulter notre site Internet :

[support.dynastyfireplaces.com](http://support.dynastyfireplaces.com)

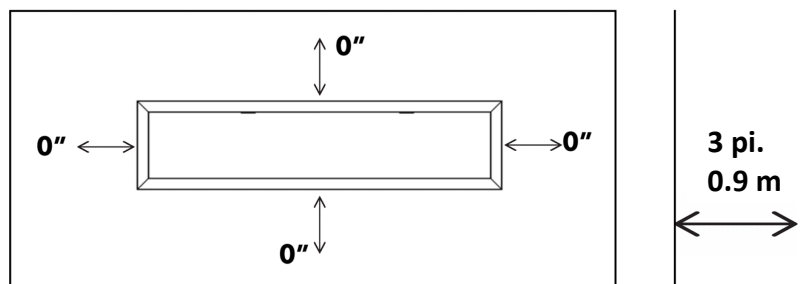
Ou contactez-nous à l'adresse suivante : [support@dynastyfireplaces.com](mailto:support@dynastyfireplaces.com)

## 2. INSTALLATION

Votre nouvelle cheminée électrique peut être installée (presque n'importe) où vous le souhaitez dans votre maison. Cependant, lorsque vous choisissez un emplacement, assurez-vous de suivre les instructions générales. Pour une performance optimale, évitez un endroit trop ensoleillé. Le service d'alimentation électrique doit être achevé ou situé à proximité de l'appareil avant la finition pour éviter toute reconstruction.

### DÉGAGEMENT MINIMAL PAR RAPPORT AUX COMBUSTIBLES

DEVANT	ARRIÈRE	COTÉS	DESSUS	DESSOUS
36" / 0.9m	0"	0"	0"	0"

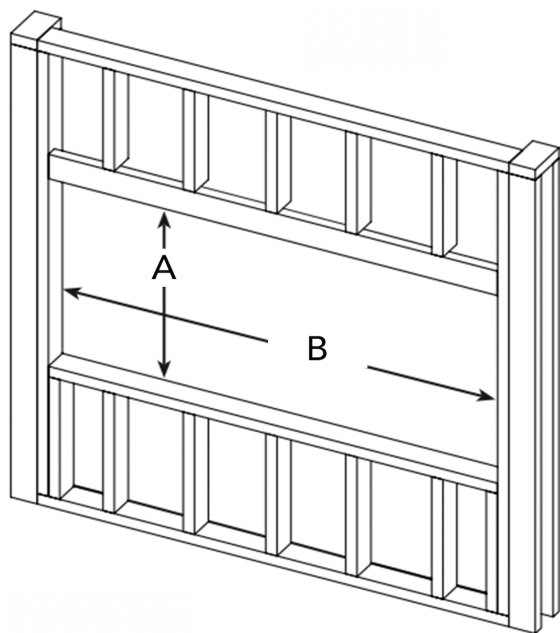


**AVERTISSEMENT !** Garder les draperies et les meubles à au moins 3 pi. /0.9 m du devant du foyer électrique.

### 2.1 DIMENSIONS DU CADRE

Remarque : veillez à laisser suffisamment d'espace pour retirer et replacer la façade avant en verre lorsqu'elle est présente.

Dimensions du cadre



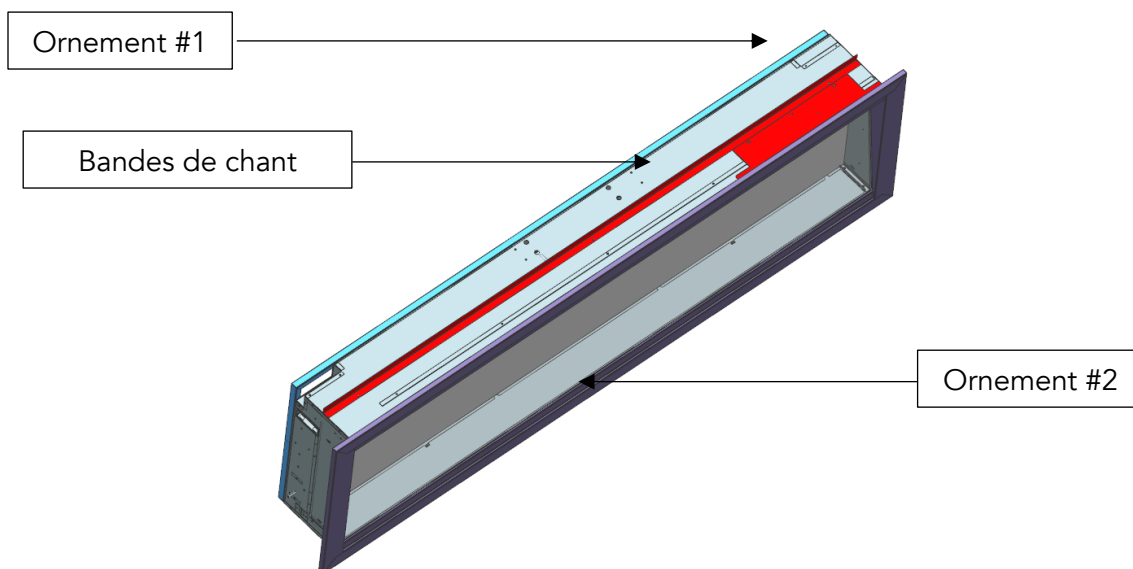
Modèle	B	A	Profondeur
DY-BFM58	1369 mm	486 mm	203 mm
	53 7/8 po.	19 1/8 po.	8 po.
DY-BFM68	1623 mm	486 mm	203 mm
	63 7/8 po.	19 1/8 po.	8 po.
DY-BFM76	1826 mm	486 mm	203 mm
	71 7/8 po.	19 1/8 po.	8 po.
DY-BFM82	1978 mm	486 mm	203 mm
	77 7/8 po.	19 1/8 po.	8 po.



## 2.2 PRÉPARATION DE L'INSTALLATION

### 2.2.1 RETIRER DE L'EMBALLAGE

Après avoir sorti le foyer de son emballage, retirez les deux pièces d'ornement et les bandes de chant tel qu'indiqué sur le schéma ci-dessous. Mettez ces pièces de côté pour les utiliser ensuite.



Le foyer peut être installé dans deux configurations différentes. Vous devez choisir l'une des deux configurations suivantes avant de commencer l'installation :

#### 3) Montage Affleurant

Le foyer sera installé au ras du mur fini. L'ornement #2 sera utilisé et placé sur la finition.

#### 4) Montage Encastré

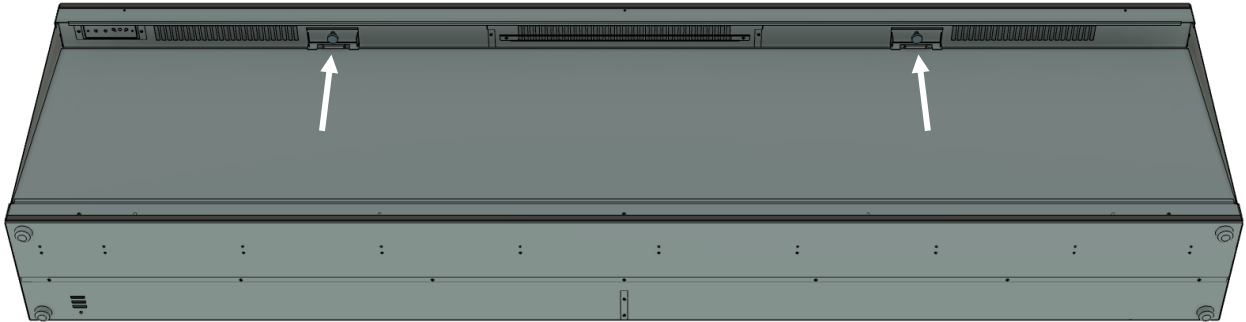
Le foyer sera encastré dans le mur, ce qui permettra de placer les matériaux de finition jusqu'au bord de la cheminée. L'ornement #1 et les bandes de chant seront utilisés.

**REMARQUE :** Allumez le foyer et vérifiez son fonctionnement avant de l'installer sur le mur.

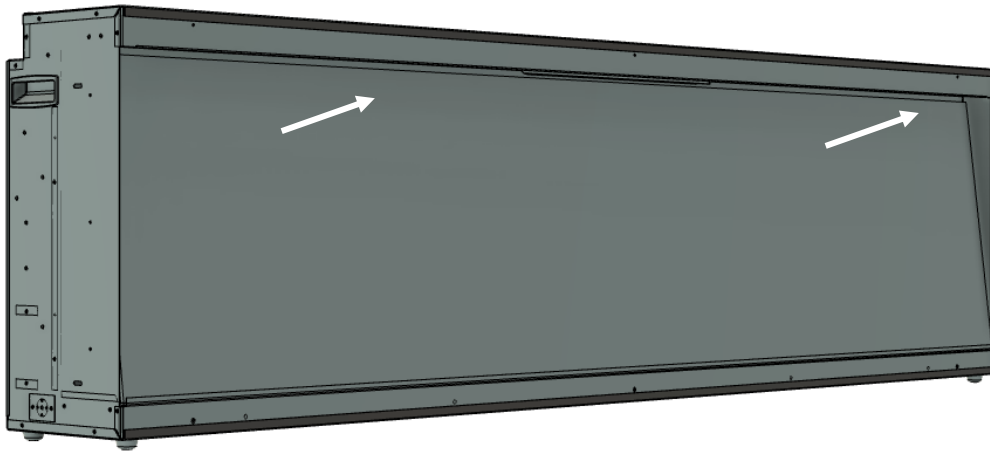
Remarque : un jeu de quatre pieds en caoutchouc se trouve sur le dessous du foyer et peut être retiré avant l'installation.

## 2.2.2 RETRAIT DE LA FAÇADE AVANT EN VERRE

- 1) Une fois l'ornement retiré, repérez les deux boulons situés sous l'ornement supérieur, desserrez-les deux boulons et retirez les deux plaques de charnière.



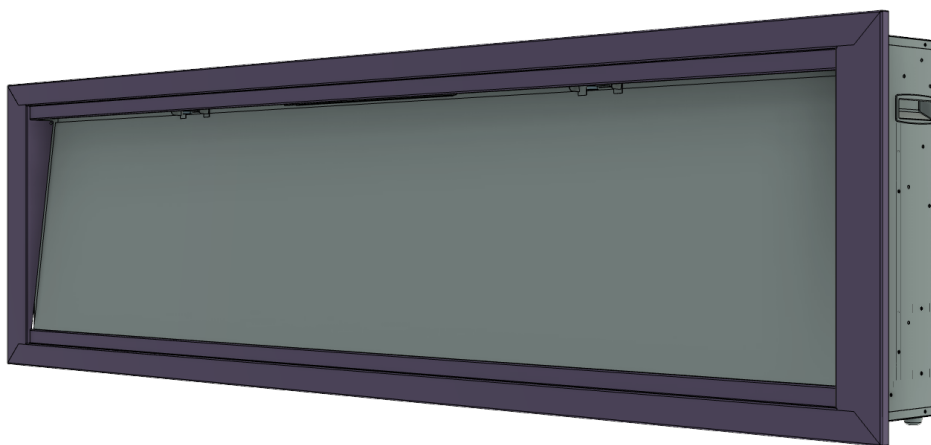
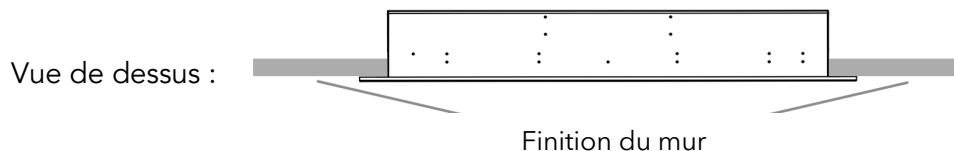
- 2) Faites basculer la façade vers l'avant pour la séparer du foyer. Gardez-la dans un endroit en sécurité pour la suite.



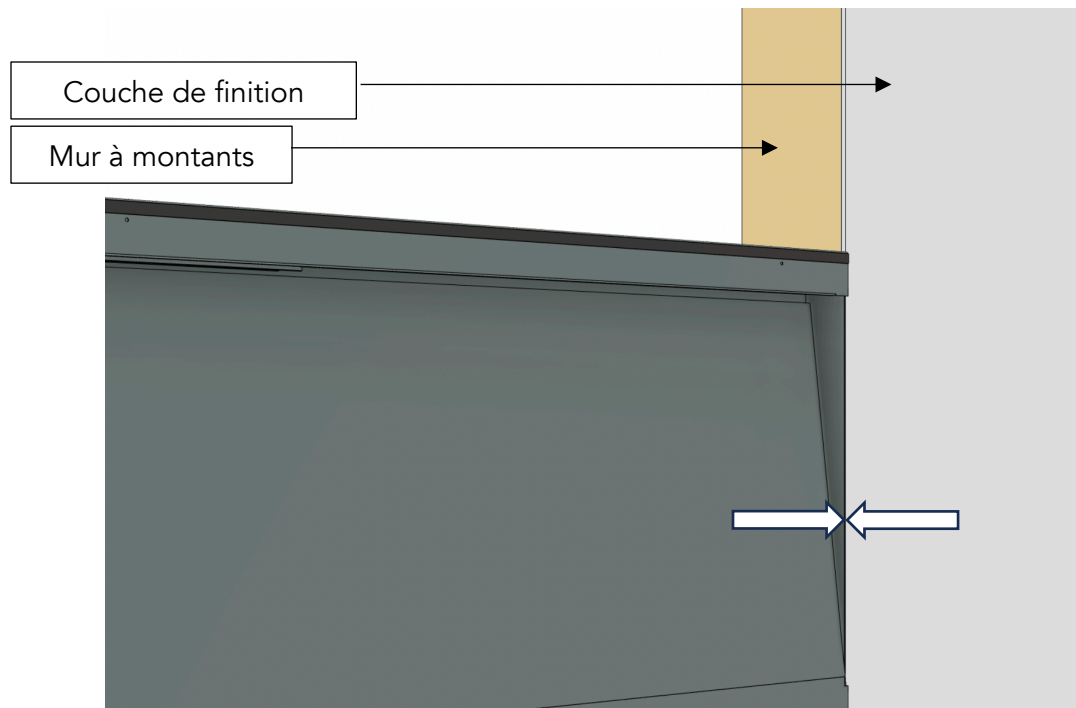
## 2.3 PROCÉDURE D'INSTALLATION - MONTAGE

### AFFLEURANT

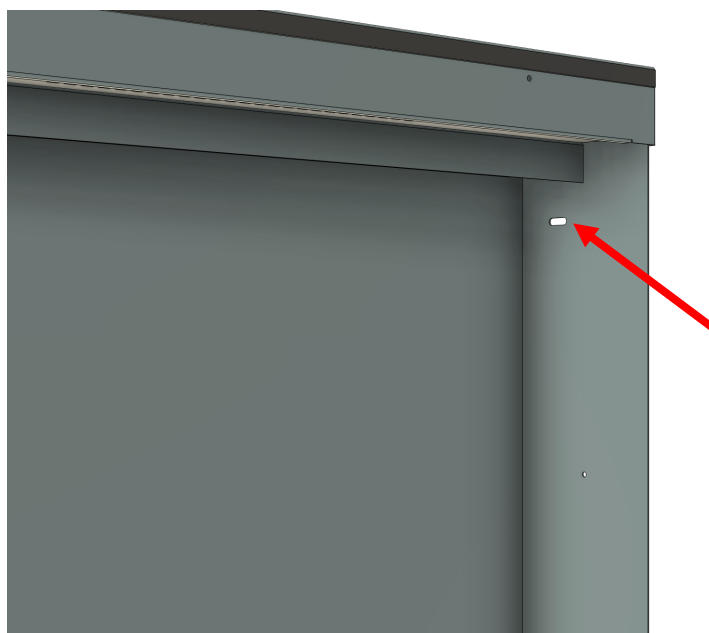
1. Dans le cas du montage affleurant, la face avant du foyer est parallèle à la face du mur.  
**Construisez le cadre selon les dimensions** indiquées à la page précédente et **assurez-vous qu'une source d'alimentation est disponible à proximité.**



2. Il est recommandé d'installer le foyer après avoir terminé le mur afin de s'assurer que l'appareil est bien affleurant au bord du mur.
3. Après avoir terminé le mur, placez le foyer dans l'ouverture murale. Veillez à ce que le bord métallique fin soit aligné avec la couche de finition des deux côtés du foyer.



4. Repérez l'ouverture ovale des deux côtés du foyer, sous l'ornement supérieur. Depuis l'intérieur du panneau, fixez la vis à travers l'ouverture ovale sur les montants du mur.

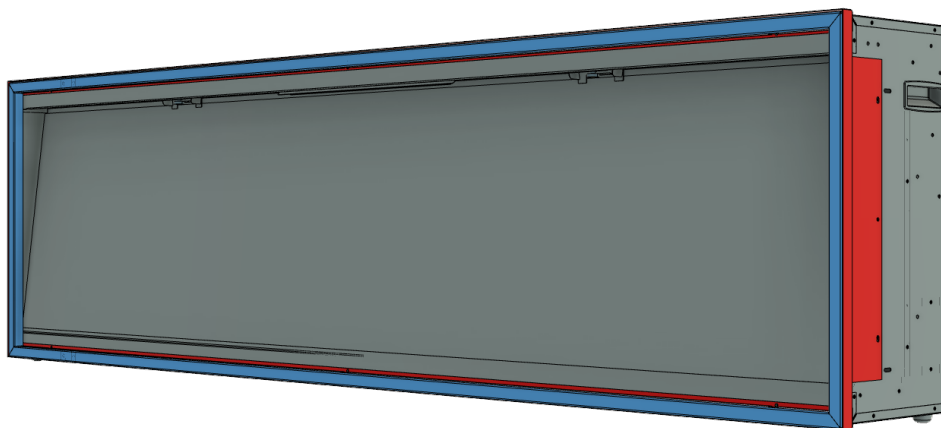


5. Placez le support du foyer sur le lit de flammes et remettez la façade en verre en place.
6. Placez la pièce d'ornement sur le foyer et vérifiez qu'elle est bien ajustée.

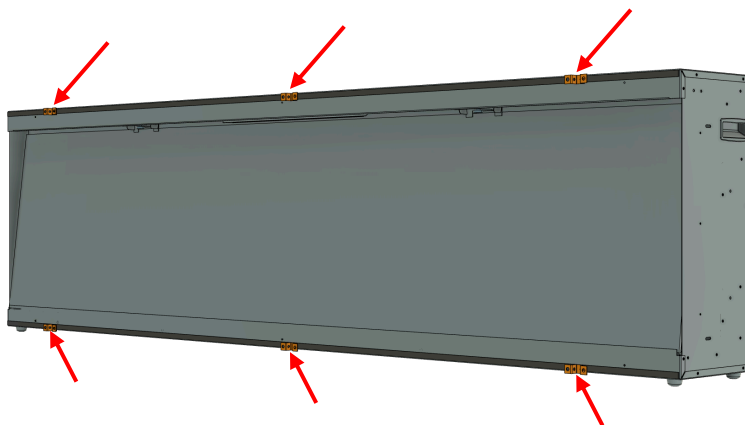
## 2.4 PROCÉDURE D'INSTALLATION – MONTAGE ENCASTRÉ

**Remarque :** un jeu de quatre pieds en caoutchouc se trouve sur le dessous du foyer et peut être retiré avant l'installation.

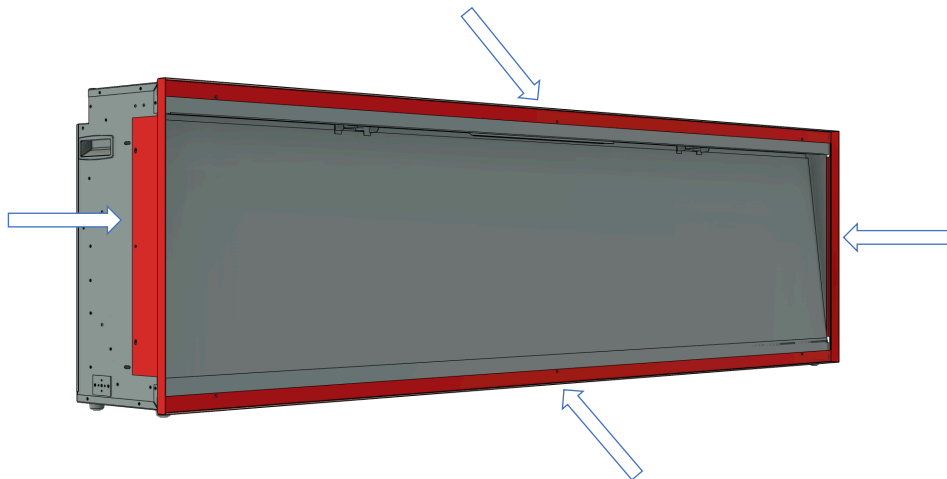
1. Le montage encastré permet un encastrement plus profond pour accueillir des matériaux de finition plus épais et offre davantage de possibilités de conception. **Construisez le cadre selon les dimensions** indiquées à la page précédente et **assurez-vous qu'une source d'alimentation est disponible à proximité.**



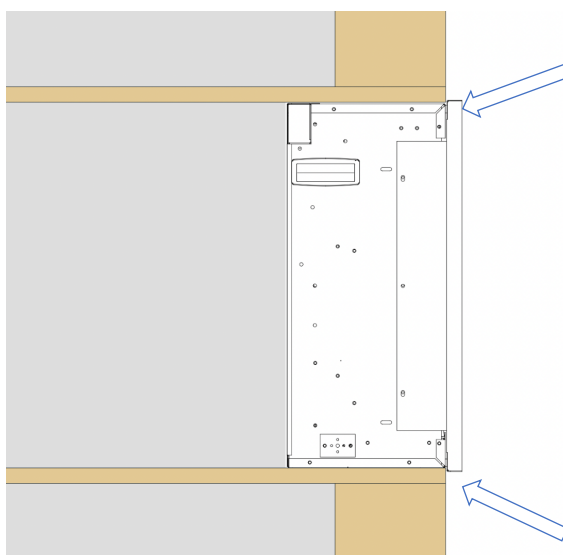
2. Une fois l'ornement retiré, retirez les pinces magnétiques situés sur le dessus et sur le dessous du foyer.



3. Installez les bandes de chant sur chaque côté, sur le dessus et sur le dessous, à l'aide des vis fournies.

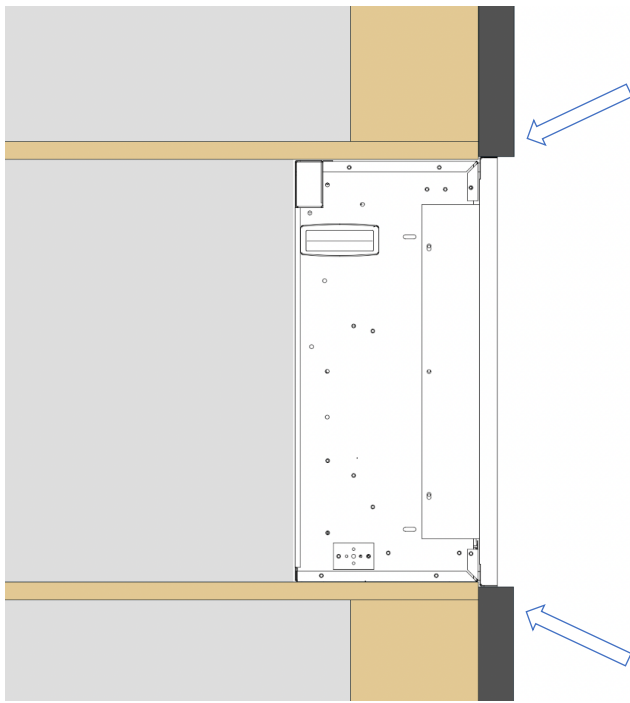


4. Placez le foyer dans l'ouverture, en veillant à ce que la section de l'ornement se trouve à l'extérieur de l'encadrement.

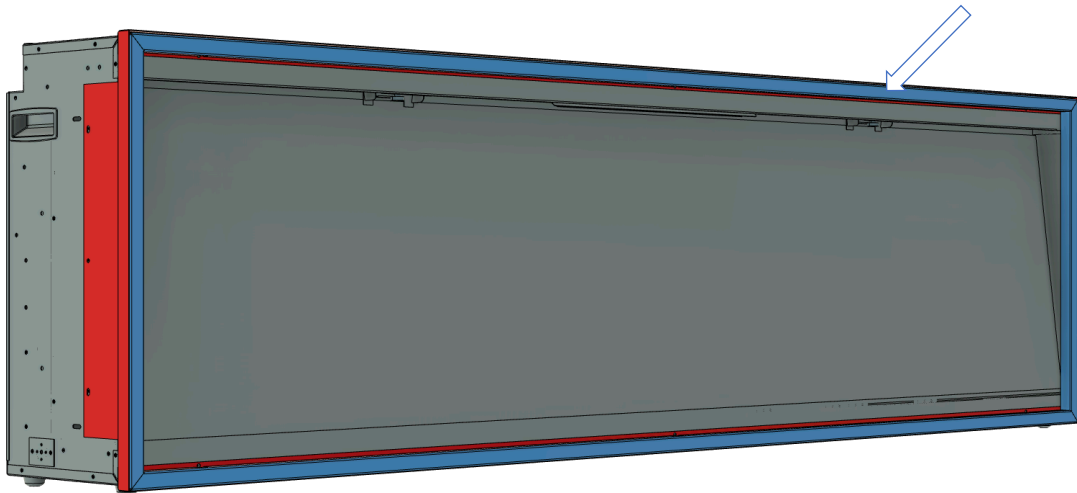


5. Appliquez les matériaux de finition autour de la section de l'ornement.

REMARQUE : le matériau de finition peut chevaucher la section de l'ornement s'il est trop épais.



6. Installez l'ornement #1 sur le foyer.

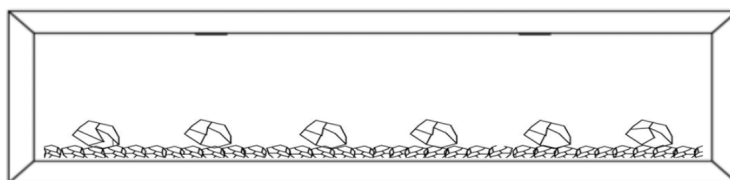


## 2.5 MISE EN PLACE DES ÉLÉMENTS SUR LE LIT DE COMBUSTION

Chaque modèle contient le nombre suivant de fausses bûches et de grosses pierres de cristal :

Modèle	Bûches	Cristaux
DY-BFM58	5	20
DY-BFM68	5	20
DY-BFM76	6	20
DY-BFM82	7	20

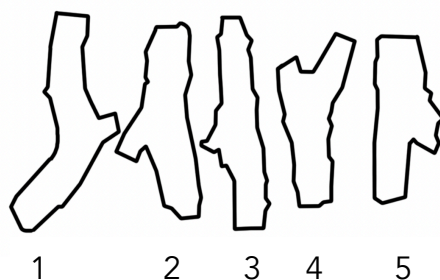
### CRISTAUX :



Répartissez soigneusement les petites pierres de cristal sur le lit de combustion. Pour une répartition optimale de l'ensemble des pierres de cristal, disposez les plus grosses pierres en commençant à partir de 5 cm du rebord de la fenêtre, à l'avant de la chambre de combustion.

### FAUX RONDINS DE BOIS :

Répartissez soigneusement les petites pierres de cristal semi-peintes et transparentes sur le lit de combustion. Placez les rondins puis répartissez les petites pierres de cristal semi-peintes et transparentes entre les rondins.



REMARQUE : Dy-BFM76 obtient 1 rondin supplémentaire # 5, Dy-BFM82 obtient 2 rondins supplémentaires # 5



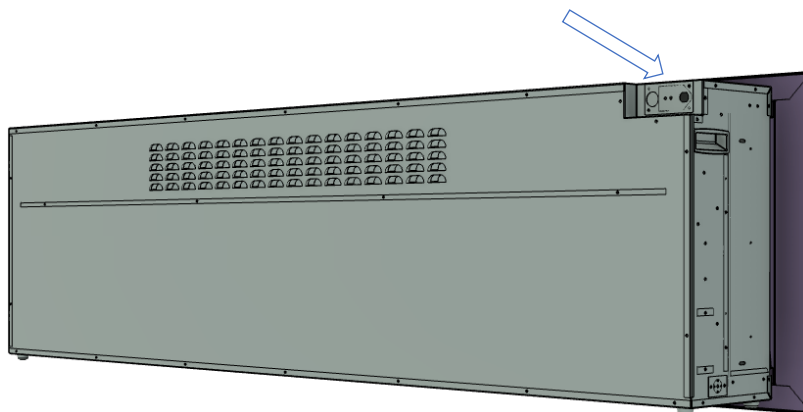
## 2.6 OPTIONS D'ALIMENTATION

### 2.6.1 Branchement électrique

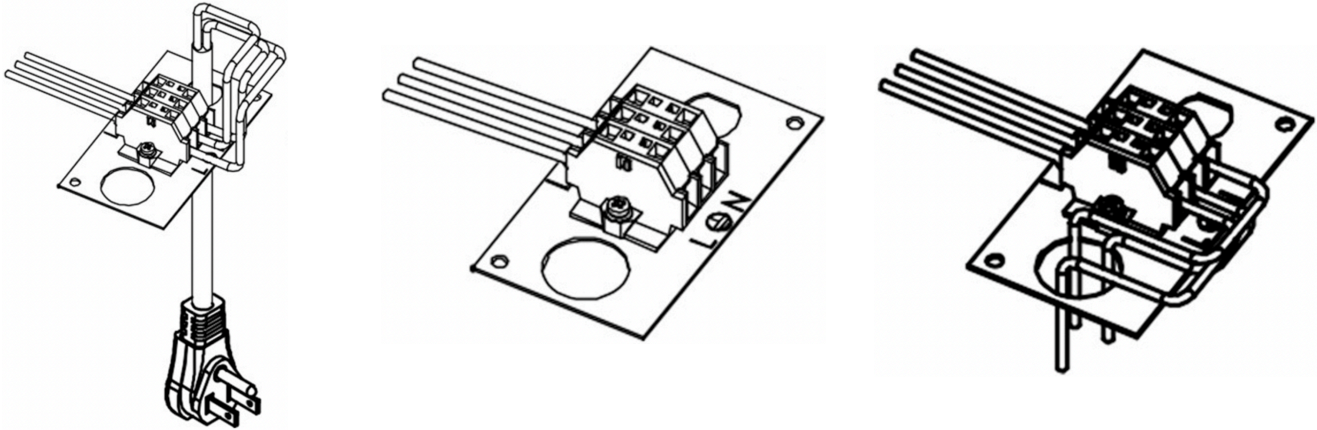
Vous pouvez faire sortir le cordon d'alimentation de l'ouverture du cadre mural vers une prise existante ou installer une prise sur un montant proche du mur. Si le cordon n'est pas assez long pour atteindre la prise, vous pouvez utiliser une rallonge avec mise à la terre, de type câble 14 AWG d'une puissance nominale d'au moins 1875 Watts.

### 2.6.2 Raccordement fixe

Un électricien qualifié peut retirer le cordon d'alimentation et raccorder l'appareil directement au réseau électrique de la maison. L'appareil doit être raccordé électriquement et mis à la terre conformément aux codes locaux. La boîte de dérivation est située à droite à l'arrière du foyer.



1. Retirer le cache du bornier situé à l'extrémité droite de l'appareil. Conserver les vis pour le réassemblage.
2. Installer une douille de décharge de traction à l'intérieur du cache.
3. Raccorder le fil de type NM-B sur le bornier, s'assurer que les branchements sont sécurisés et serrer la douille décharge de traction. Utiliser un tournevis à tête fendue de type 3/32 ou équivalent, pour enfoncer les bornes à ressort des conducteurs.
4. Remettre en place le cache du bornier et les vis de maintien.



## 2.7 GUIDES DE RÉPARATION DES CHEMINÉES

Pour obtenir des instructions complètes et détaillées, ainsi qu'un guide étape par étape pour réparer et entretenir votre foyer électrique, y compris la réparation et le remplacement de pièces telles que les DELs, le moteur, le chauffage, etc., veuillez consulter la rubrique assistance de notre site Web à l'adresse suivante :

**[support.dynastyfireplaces.com](http://support.dynastyfireplaces.com)**

## 2.8 LISTE DES PIÈCES RÉPARABLES

ARTICLE	DESCRIPTION	NUMÉRO DE PIÈCE*
1	Récepteur IR	DY-BFM-RCV
2	Moteur Flammes	DY-BFM-MTR
3	Tableau de commande principal	DY-BFM-PCB-XX
4	Télécommande	DY-BFM-RMT
5	Support Cristaux	DY-BFM-CRY-XX
6	Support Bûches	DY-BFM-LOG-XX
7	Chauffage	DY-BFM-HTR
8	DEL lit de combustion	DY-BFM-FBL-XX
9	DEL supérieure	DY-BFM-TL-XX
10	DEL flammes	DY-BFM-FLD-XX
11	Tige scintillante	DY-BFM-FKR-XX
12	Écran flammes	DY-BFM-FMS-XX
13	Ornement avant	DY-BFM-TRM-XX
14	Façade avant en verre	DY-BFM-FGL-XX

### NOTE :

\*LES PIÈCES COMPORTANT UN "XX" À LA FIN INDIQUENT LA RÉFÉRENCE DU FOYER.  
PAR EXEMPLE, LE DY-BFM68 REMPLACERA LE "XX" PAR "68".

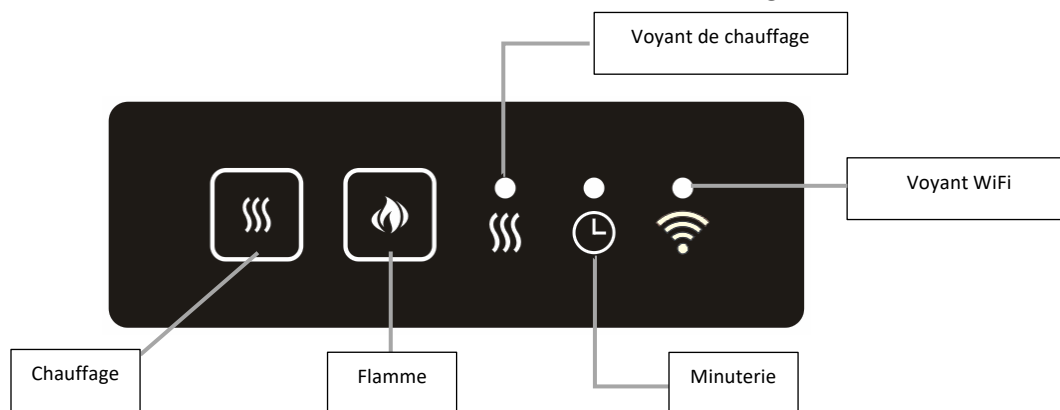
**Pour les pièces détachées, veuillez contacter votre revendeur, distributeur ou point de vente en lui indiquant les numéros de modèle et de série lors de toute demande de pièces détachées.**

# 3. FONCTIONNEMENT

Cet appareil peut être utilisé et actionné à l'aide d'une télécommande, d'une application pour téléphone intelligent, et de commandes manuelles situées sur l'appareil, mais les commandes manuelles présentent des limites en termes de fonctionnalités. Un signal sonore doit être émis lorsque l'appareil est mis sous tension pour la première fois.

## 3.1 COMMANDES MANUELLES

Les commandes manuelles sont situées sous l'ornement, en haut à gauche.



Appuyez sur le bouton **Flamme** pour allumer/éteindre le voyant DEL de la flamme et passer d'un niveau de luminosité à l'autre : Intense/Moyenne/Faible.



Appuyez sur la touche **Chauffage** pour allumer/éteindre le chauffage et passer d'un niveau de chaleur à l'autre (Élevée/Faible). Le niveau de chaleur est indiqué par le voyant **Lumineux du Chauffage**.



**Voyant Rouge** : Chaleur élevée

**Voyant Bleu** : Faible chaleur

**Voyant Éteint** : Chauffage éteint



**Voyant Allumé** : Minuterie active

## 3.2 CONFIGURATION DU WIFI



La série Allegro est contrôlable via l'application pour téléphone intelligent de smartphome de Dynasty Fireplaces pour Android et iOS. Téléchargez l'application Dynasty, créez un compte avec votre adresse courriel et connectez votre foyer. Pour télécharger l'application, visitez :

[dynastyfireplaces.com/download](https://dynastyfireplaces.com/download)

Pour plus d'informations sur l'installation du WiFi et la connexion à l'assistant vocal, visitez : [support.dynastyfireplaces.com](https://support.dynastyfireplaces.com)

## INSTALLATION DU WIFI

**REMARQUE : pour pouvoir utiliser et commander votre foyer à l'aide du WiFi, vous devez créer un compte et associer votre appareil à ce compte.**

4. Téléchargez l'application Dynasty et suivez les instructions à l'écran pour créer un compte. Seule une adresse courriel active est nécessaire pour créer votre compte.



5. Lorsque l'appareil est en mode veille (flamme et chauffage éteints, branché sur le secteur), appuyez sur le bouton de chauffage et maintenez-le enfoncé pendant 5 secondes jusqu'à ce que le foyer émette un bip sonore.



6. Assurez-vous que le voyant WiFi clignote, puis retournez sur l'application pour finaliser la configuration et associer le foyer à votre compte.

Pour plus d'informations sur l'installation du WiFi et la connexion à l'assistant vocal, visitez : [support.dynastyfireplaces.com](https://support.dynastyfireplaces.com)

## 3.2 TÉLÉCOMMANDE



BOUTON	FONCTION	DESCRIPTION
	Allumer / Éteindre le foyer	Appuyer pour allumer ou éteindre l'appareil. Ce bouton allume ou éteint uniquement le DELS de flamme et de lit de flamme.
	Basculer entre Celsius et Fahrenheit	Appuyer sur cette touche pour modifier l'unité de température affichée entre Celsius et Fahrenheit.
	Régler le chauffage et ajuster la température affichée	Appuyer sur les flèches pour ajuster la température pré réglée. Préréglages en °C : 16-19-21-23-25-27-30 Préréglages en °F : 61-66-70-73-77-80-86
	Activer / Désactiver les DELS des flammes	Appuyer pour allumer ou éteindre les DELS de flammes uniquement.
	Activer / Désactiver la lumière du lit de flamme	Appuyer sur cette touche pour passer d'une couleur à l'autre ou pour allumer/éteindre les DELS du lit de flamme uniquement.
	Régler l'intensité des flammes rouges, jaunes et bleues	Appuyez sur chaque bouton de couleur de flamme pour faire défiler 3 niveaux de luminosité différents et éteindre la flamme. - R1, R2 et R3 sont les intensités de rouge. - Y1, Y2 et Y3 sont les intensités de jaune. - B1, B2 et B3 sont les intensités de bleu.
	Basculer le chauffage sur chaleur élevée, faible, allumé ou éteint	> Chaleur élevée : appuyez sur le bouton jusqu'à ce que l'indicateur de chaleur élevée ( ↑↑↑ ) s'affiche sur la télécommande. > Faible chaleur : appuyez sur le bouton jusqu'à ce que l'indicateur de faible chaleur ( ↑↑ ) s'affiche sur la télécommande. > Pour éteindre le chauffage, appuyez sur le bouton jusqu'à ce que les indicateurs de chaleur élevée et faible soient éteints sur l'écran de la télécommande.
	Régler la minuterie de l'appareil par intervalles d'une heure	Appuyer sur cette touche pour que l'appareil s'éteigne au bout de 30 min, 1h, 2h, 3h, 4h, 5h, 6h, 7h, 8h, 9h, 10h. L'écran LCD indique 30-1H-2H-3H-4H-5H-6H-7H-8H-9H-10H.
	Enregistrer vos réglages de lumière de flamme préférés	Appuyer et maintenir pendant 3 secondes pour sauvegarder 1 réglage de DEL de flamme.

## 4. NETTOYAGE ET ENTRETIEN



**TOUJOURS ÉTEINDRE** l'appareil de chauffage et **débrancher le cordon d'alimentation de la prise murale** avant de le nettoyer, de faire des réparations ou de le déplacer. Le non-respect de ces instructions pourrait provoquer un **choc électrique**, un **incendie** ou des **blessures corporelles**

### Nettoyage



Ne **JAMAIS immerger l'appareil dans l'eau**, ou **asperger de l'eau dessus**. Cela pourrait provoquer un **choc électrique**, un **incendie** ou des **blessures corporelles**.

#### Surface Métallique :

- Polir doucement en utilisant un chiffon doux, légèrement imbibé d'un produit nettoyant doux.
- **NE PAS** utiliser de produits de polissage à base de laiton ou de nettoyants ménagers, cela risquerait d'endommager le revêtement métallique.

#### Verre :

- Utiliser un nettoyant pour vitres de bonne qualité et sécher soigneusement avec une serviette en papier ou un chiffon non pelucheux.
- Ne **JAMAIS** utiliser de nettoyants abrasifs, de vaporisateurs liquides, ou tout autre nettoyant qui pourrait rayer la surface.

#### Plastique :

- Essuyer doucement avec un chiffon légèrement humide, une solution nettoyante douce et de l'eau tiède.
- Ne **JAMAIS** utiliser de nettoyants abrasifs, de vaporisateurs liquides, ou tout autre nettoyant qui pourrait rayer la surface.

#### Ventilation :

- Utiliser un aspirateur ou un essuie-meubles pour enlever la poussière et la saleté des zones de chauffage et de ventilation.
- Nettoyer l'extérieur de l'appareil à l'aide d'un chiffon ou d'un essuie-meubles légèrement humide.

## Entretien



**Risque d'électrocution ! NE PAS OUVRIR ! Aucune pièce réparable par l'utilisateur ne se trouve à l'intérieur !**



**TOUJOURS ÉTEINDRE** l'appareil de chauffage et **débrancher le cordon d'alimentation de la prise murale** avant de le nettoyer, de faire des réparations ou de le déplacer. Le non-respect de ces instructions pourrait provoquer une **électrocution**, un **incendie** ou des **blessures corporelles**.

### Pièces électriques et parties mobiles :

- Les moteurs du ventilateur ont été lubrifiés en usine et n'ont pas besoin de lubrification supplémentaire.
- Les composants électriques sont intégrés à l'appareil et ne sont pas réparables par l'utilisateur.

### Rangement :

- Ranger l'appareil dans un endroit propre et sec lorsqu'il n'est pas utilisé.

### Pièces de rechange :

- N'utilisez que les pièces de rechange fournies par Dynasty Fireplaces. L'utilisation de toute autre pièce ou la modification du foyer de quelque façon que ce soit annulera toutes les garanties.
- Si vous avez acheté votre appareil chez l'un de nos revendeurs/détaillants, veuillez les contacter pour commander des pièces de rechange ou nous contacter à l'adresse courriel suivante : [support@dynastyfireplace.com](mailto:support@dynastyfireplace.com).

Pour obtenir des instructions complètes et détaillées, ainsi qu'un guide étape par étape pour réparer et entretenir votre foyer électrique, y compris la réparation et le remplacement de pièces telles que les DELs, le moteur, le chauffage, etc., veuillez consulter la rubrique assistance de notre site Web à l'adresse suivante :

**[support.dynastyfireplace.com](https://support.dynastyfireplace.com)**



## 5. GARANTIE

Ce produit est inspecté, testé et soigneusement emballé afin de minimiser les risques de dommages pendant le transport. Si une pièce s'avère défectueuse au cours des deux ans ou 24 mois à compter de la date d'achat, que ce soit au niveau des matériaux ou dans sa fabrication, dans des conditions normales d'utilisation, elle sera réparée ou remplacée.

L'obligation de Dynasty Fireplaces en vertu de la garantie est de remplacer ou de réparer les pièces défectueuses, à notre discrétion. Tous les frais ou dommages résultant de l'installation, du retrait ou du transport du produit seront à la charge du propriétaire et ne sont pas couverts par cette garantie. Le propriétaire assume tous les autres risques résultant de l'usage ou de la mauvaise utilisation du produit. La garantie ne sera pas valide si Dynasty considère que le dommage ou la défaillance du produit ont été causés par un accident, une altération, une mauvaise utilisation, un abus, une installation ou un retrait incorrect, ou un branchement à une mauvaise source d'alimentation par le propriétaire. Dynasty Fireplaces n'assume, ni n'autorise aucune personne ou entité à assumer pour elle les responsabilités ou obligations associées à ses produits.



### AVERTISSEMENT LIÉ À LA PROPOSITION 65 DE L'ÉTAT DE CALIFORNIE

**AVERTISSEMENT** : ce produit peut vous exposer à des produits chimiques, notamment le noir de carbone, connu dans l'État de Californie pour provoquer le cancer, et le bisphénol A (BPA), connu dans l'État de Californie pour provoquer des malformations congénitales ou d'autres problèmes de reproduction.

Pour plus d'informations, consultez le site :  
[www.P65Warnings.ca.gov](http://www.P65Warnings.ca.gov)



## Dynasty Fireplaces

Sans frais : 1-877-521-1009

Site web : [dynastyfireplaces.com](http://dynastyfireplaces.com)

Contact Assistance :

[support@dynastyfireplaces.com](mailto:support@dynastyfireplaces.com)

Lien Assistance: [support.dynastyfireplaces.com](http://support.dynastyfireplaces.com)